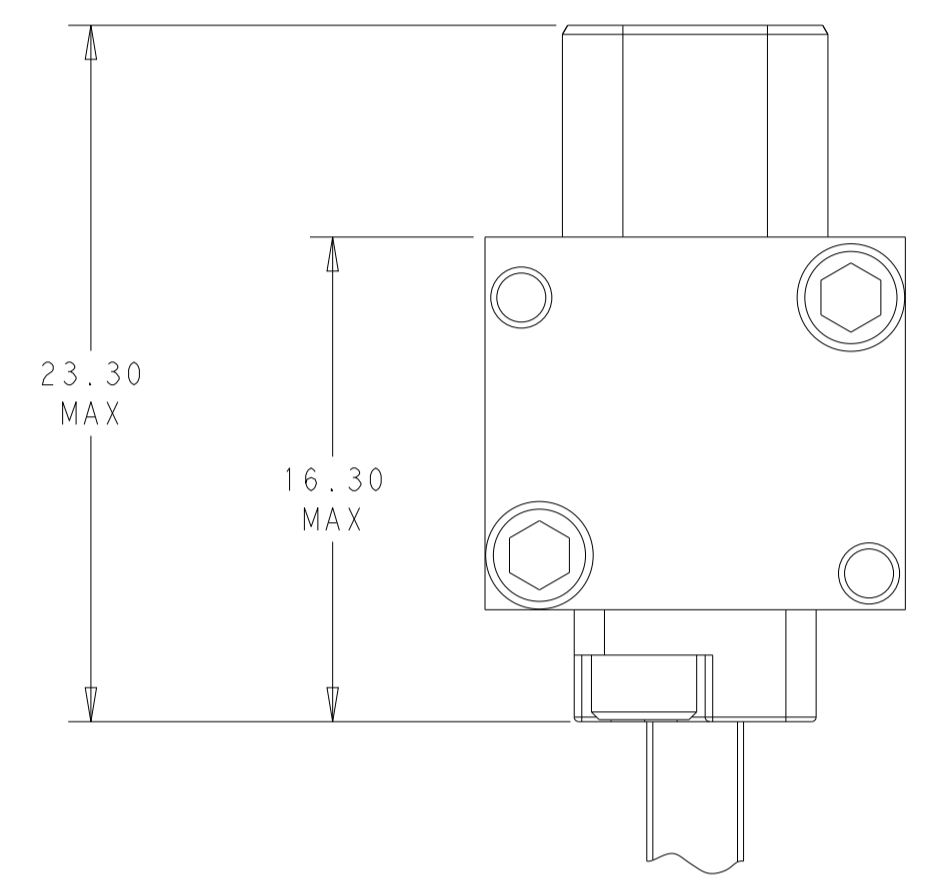
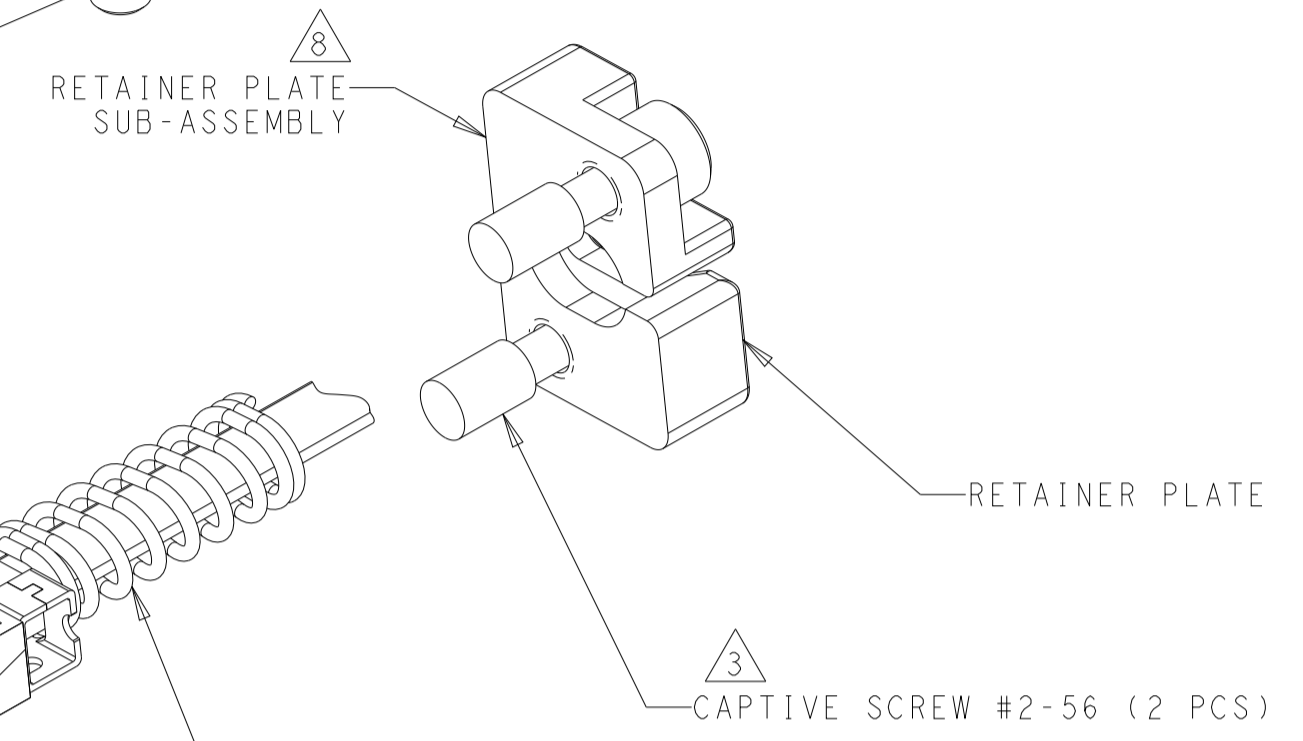
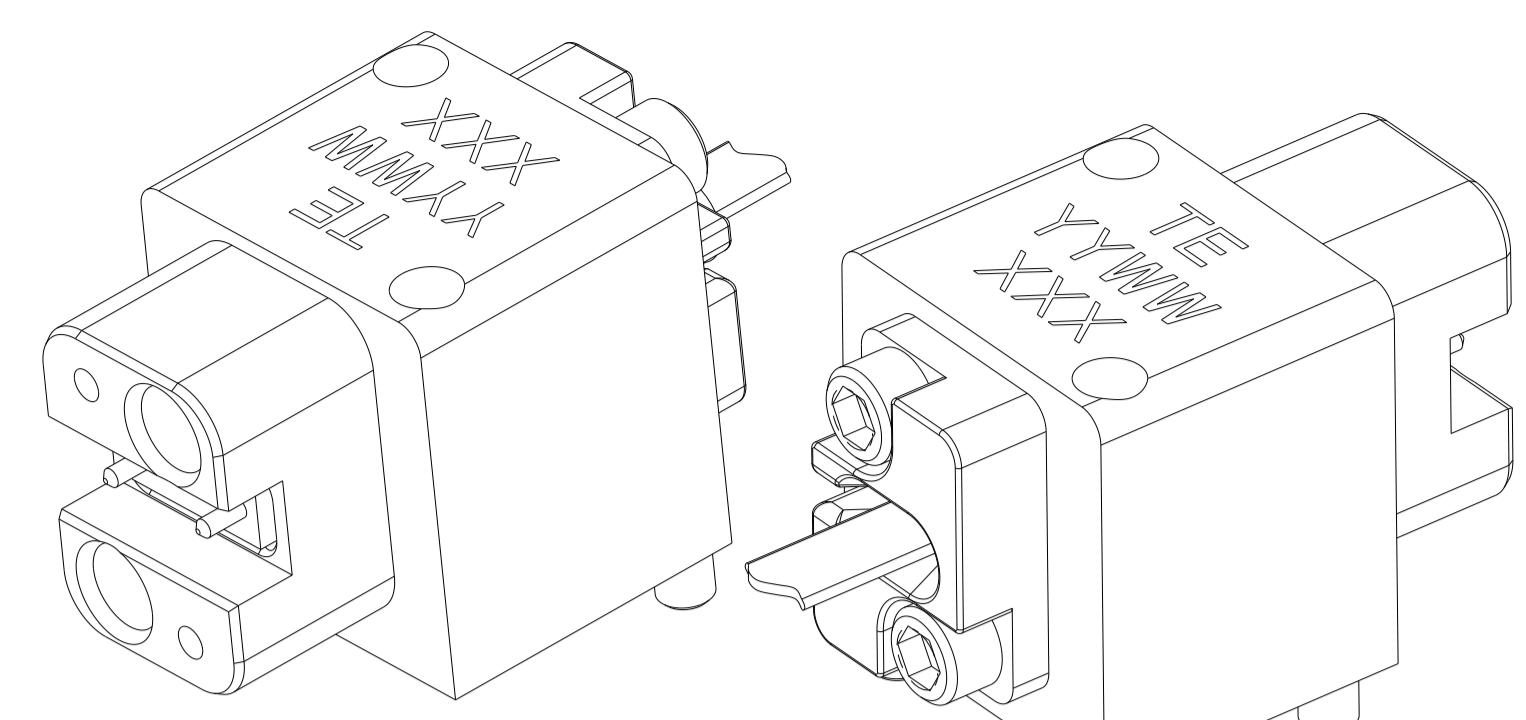
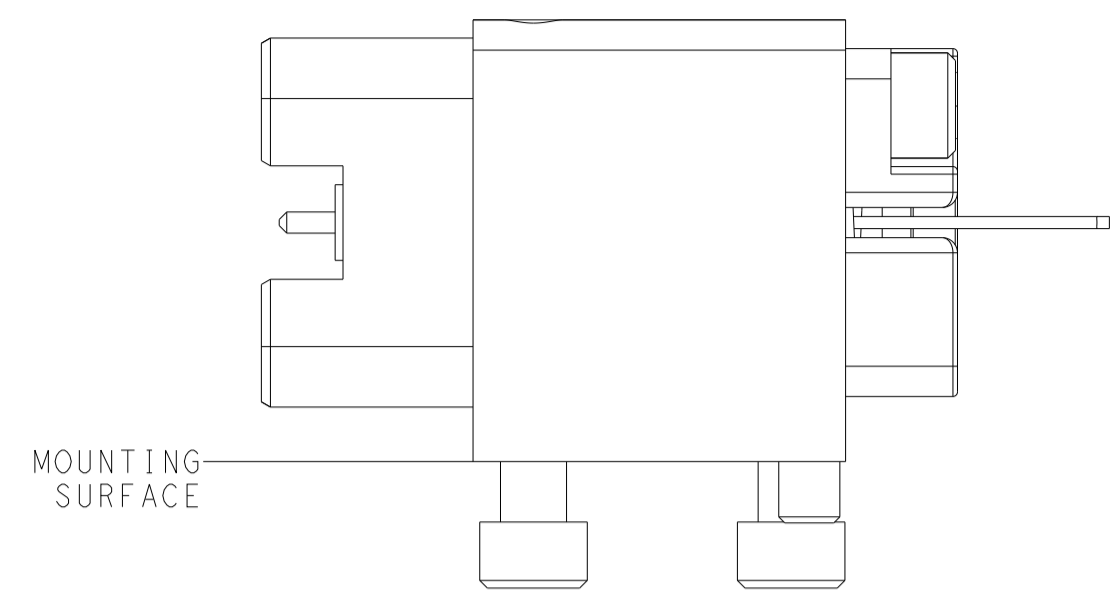
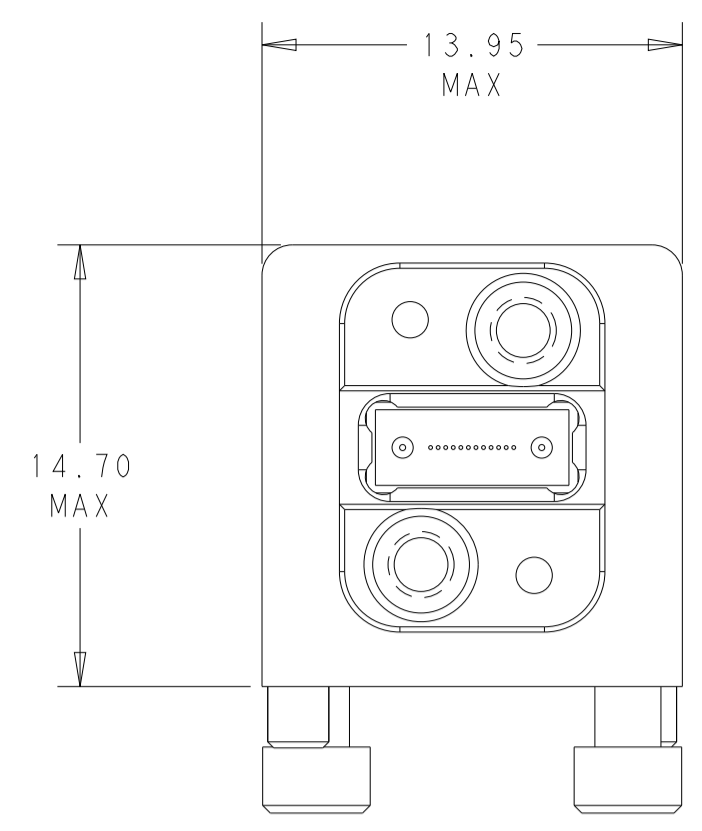
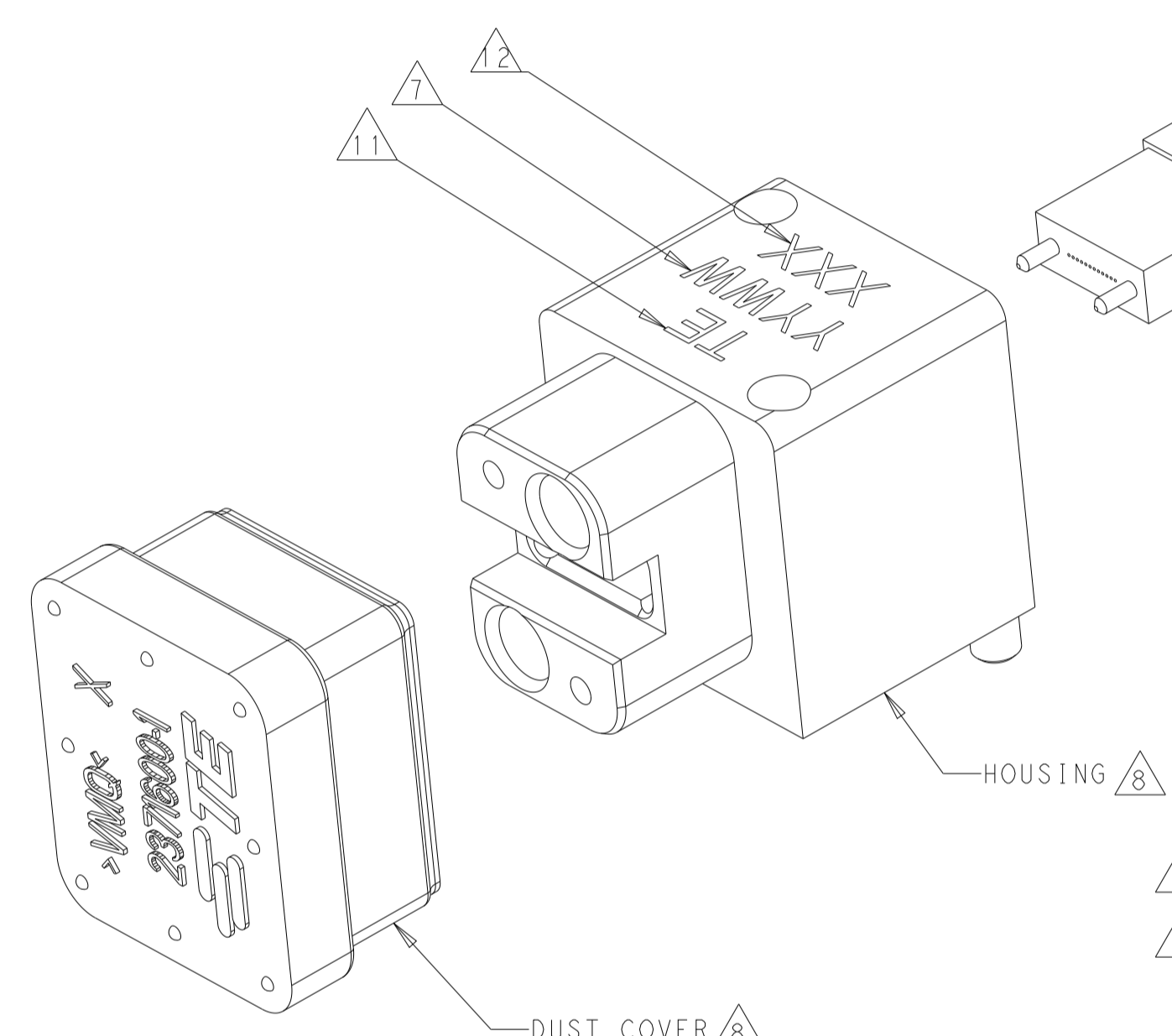


REVISIONS				
P	LTN	DESCRIPTION	DATE	APVD
5		REMOVED PRELIMINARY	27MAY2015	DF JM
A		ECO-15-012943	23SEP2015	KG DW
B		ECN-22-182132	03NOV2022	CG JM
C		ECN-23-226764	13SEP2023	MM JM

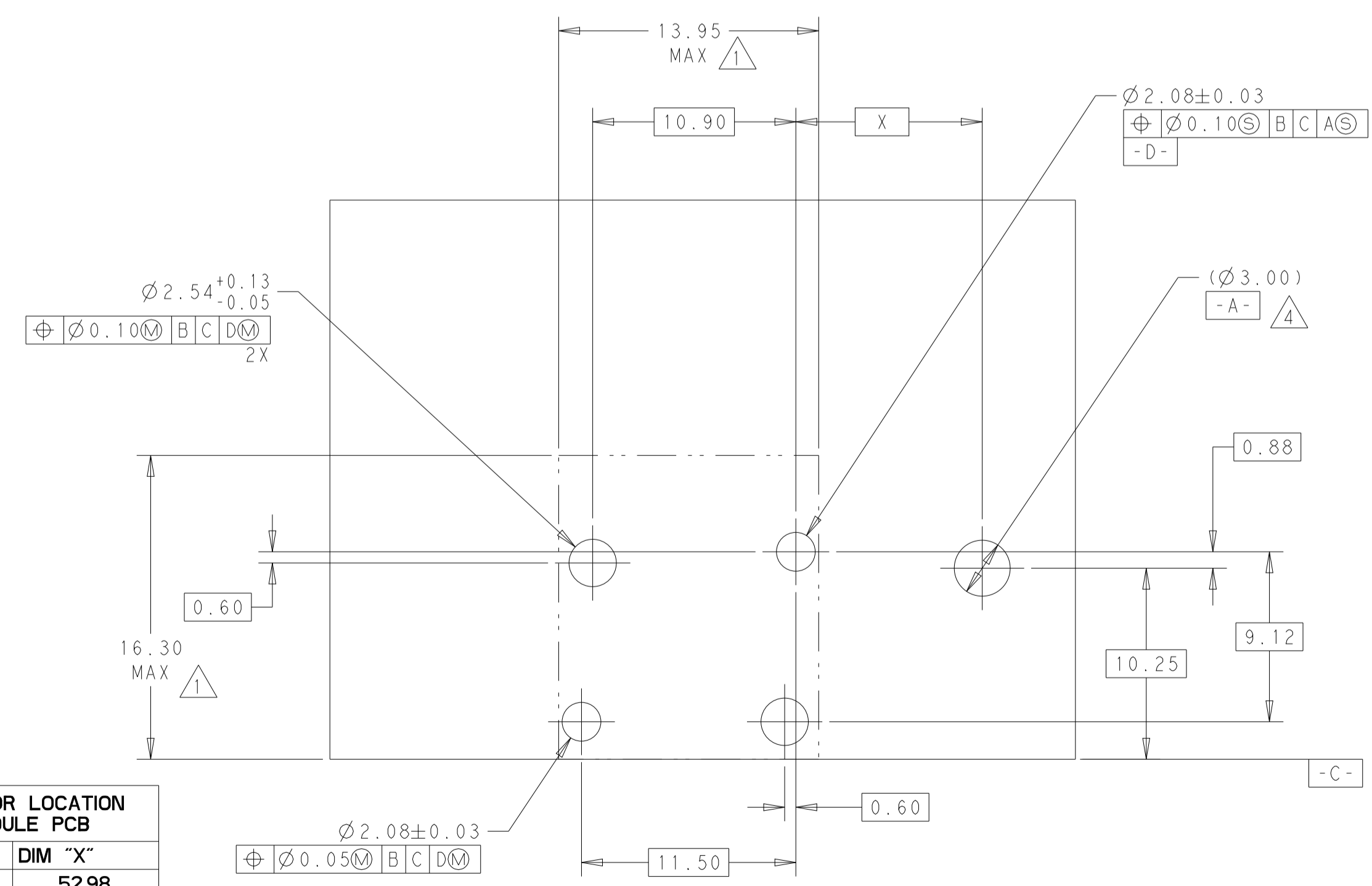


ASSEMBLED VIEW



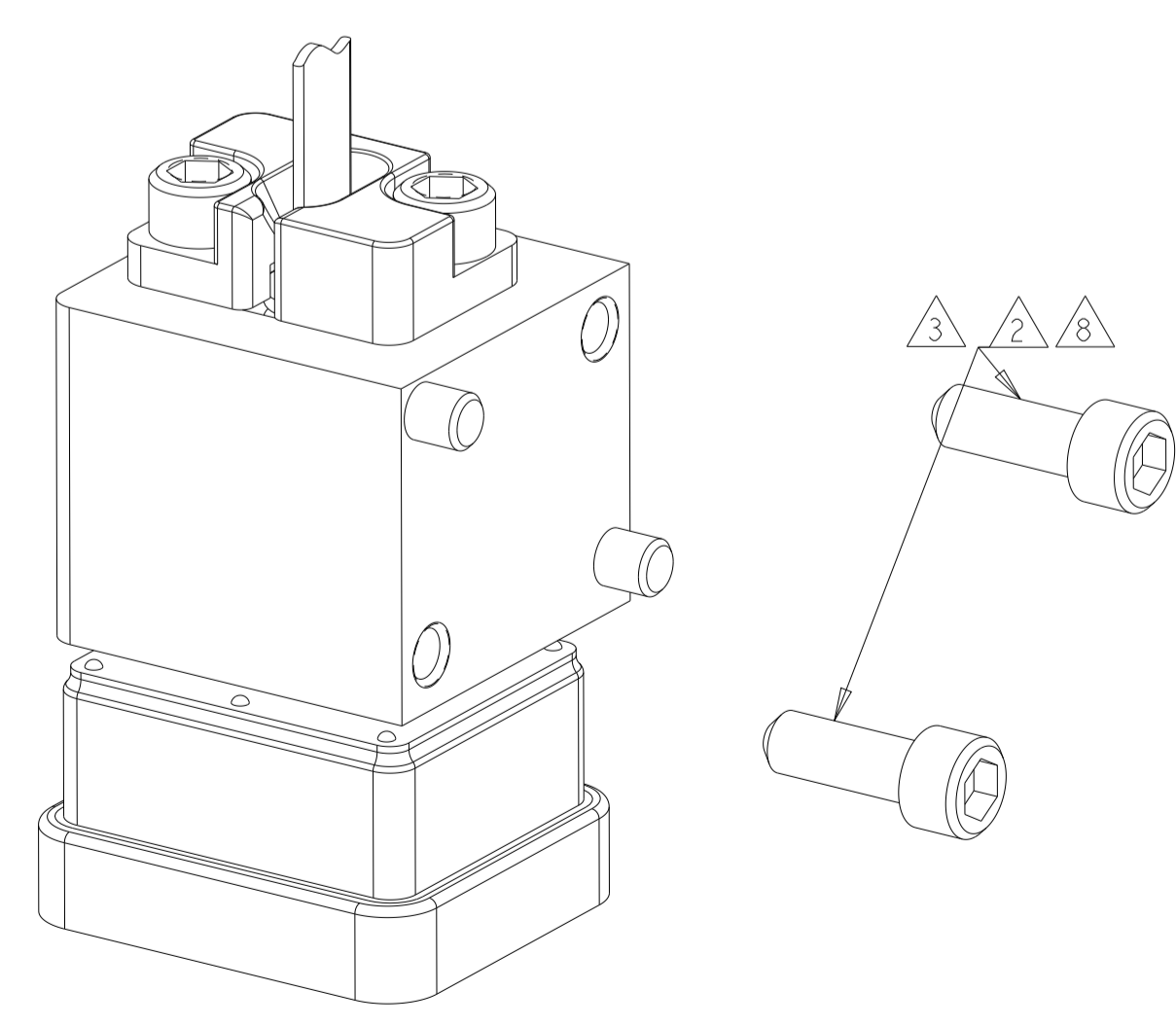
EXPLODED VIEW

- 1 AREA REQUIRED FOR CONNECTOR PLACEMENT.
- 2 2-56 X 3/8" SCREWS WITH A PRE-APPLIED NYLOK PATCH ARE INCLUDED FOR PC-BOARD MOUNTING. IF A PC-BOARD THICKER THAN 5.8mm IS USED LONGER SCREWS ARE REQUIRED.
- 3 RECOMMENDED TORQUE: 0.23-0.34 N-m [2-3 in-lb].
- 4 DATUM -A- REFERENCE PER ANSI/VITA 46.0, APPENDIX C.
- 5 HOUSING AND RETAINER PLATE: ALUMINUM ALLOY
CAPTIVE SCREWS AND SHCS: STAINLESS STEEL
DUST COVER: THERMOPLASTIC ELASTOMER
- 6 HOUSING AND RETAINER PLATE: CLEAR TRIVALENT CHROMIUM PASSIVATION
CAPTIVE SCREWS AND SHCS: PASSIVATED.
- 7 DATE CODE: YEAR AND WEEK (YYWW).
- 8 PLUG CONNECTOR (PLUG-IN MODULE) KIT, (UNASSEMBLED)
CONSISTS OF THE FOLLOWING ITEMS:
RETAINER PLATE SUB-ASSEMBLY (QTY 1), HOUSING (QTY 1),
DUST COVER (QTY 1), AND 2-56 X 3/8 IN SCREWS (QTY 2).
- 9 SINGLE-ENDED (PIGTAIL) MT FIBER OPTIC CABLE ASSEMBLY,
CONTAINS: MT FERRULE, MINI-BOOT, FERRULE COVER, PIN HOLDER,
SPRING AND RIBBON CABLE (ORDERED SEPARATELY, 1938401-2)
- 10 MT FERRULE KIT (UNASSEMBLED) SEE TABLE
CONTAINS: MT FERRULE, MINI-BOOT, FERRULE COVER, PIN HOLDER AND SPRING
- 11 TE CONNECTIVITY PRODUCT IDENTIFIER.
- 12 TE MANUFACTURING LOCATION CODE (XXX)
- 13 WEIGHT CALCULATION FOR REFERENCE ONLY: 6.97 GRAMS (EXCLUDING DUST COVER)



RECOMMENDED PLUG-IN MODULE FOOTPRINT

POSITION	DIM "X"
P2A	52.98
P2B	67.10
P3A	95.85
P3B	109.97
P4A	124.65
P4B	138.77
P5A	153.45
P5B	167.57
P6A	182.25
P6B	196.37



MODULE MOUNTING DETAIL

2102866-2	2313212-2	2226881-1
STANDARD GRADE	LOW-LOSS GRADE	PART NUMBER
MT FERRULE KITS		

THIS DRAWING IS A CONTROLLED DOCUMENT. DWN D. FABIAN 17JAN2014

TE Connectivity

CONNECTOR KIT
 PLUG (MODULE)
 FIBER OPTIC, MT, VITA 66.4

114-32144
 C=2226881

Customer Drawing SCALE 4:1 SHEET 1 OF 1 REV C