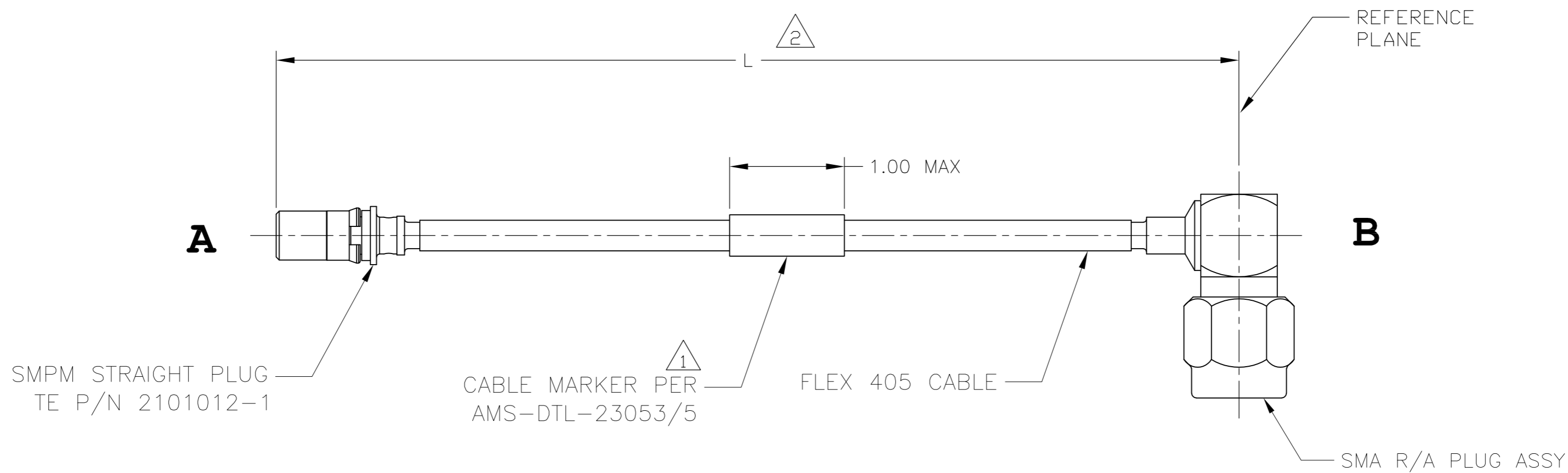


THIS DRAWING IS UNPUBLISHED. RELEASED FOR PUBLICATION
 © COPYRIGHT - By - ALL RIGHTS RESERVED.

LOC		DIST		REVISIONS			
P	LTR	DESCRIPTION		DATE	DWN	APVD	
-	-	C	REV PER ECO	13-017691	12-20-13	CT	DW



- 1 PART NUMBER, DATE CODE AND "TE" MARKED ON CABLE MARKER.
- 2 LENGTH TOLERANCE ± 0.5%, ± .10 IN. MINIMUM.
- 3. VSWR: 1.3:1 MAX, DC - 12 GHz

40.00	4-2221460-0
38.00	3-2221460-8
37.00	3-2221460-7
35.00	3-2221460-5
34.00	3-2221460-4
DIM "L"	PART NUMBER

THIS DRAWING IS A CONTROLLED DOCUMENT.		DWN	C.C.THOMAS	10-18-12	TE TE Connectivity																	
DIMENSIONS: INCHES		CHK	D.WILSON	10-18-12																		
TOLERANCES UNLESS OTHERWISE SPECIFIED:		APVD	D.WILSON	10-18-12																		
<table border="0"> <tr><td>0 PLC</td><td>±</td><td>-</td></tr> <tr><td>1 PLC</td><td>±</td><td>-</td></tr> <tr><td>2 PLC</td><td>±</td><td>-</td></tr> <tr><td>3 PLC</td><td>±</td><td>-</td></tr> <tr><td>4 PLC</td><td>±</td><td>-</td></tr> <tr><td>ANGLES</td><td>±</td><td>-</td></tr> </table>		0 PLC	±	-		1 PLC	±	-	2 PLC	±	-	3 PLC	±	-	4 PLC	±	-	ANGLES	±	-	PRODUCT SPEC	NAME
0 PLC	±	-																				
1 PLC	±	-																				
2 PLC	±	-																				
3 PLC	±	-																				
4 PLC	±	-																				
ANGLES	±	-																				
MATERIAL		APPLICATION SPEC		RF CABLE ASSEMBLIES, SMPM STRAIGHT PLUG TO SMA R/A PLUG ON FLEX .086																		
FINISH		WEIGHT	SIZE		RESTRICTED TO																	
-		-	A2	CAGE CODE	-																	
		CUSTOMER DRAWING		DRAWING NO	-																	
				00779	-																	
				DWG NO	-																	
				2221460	-																	
				SCALE	REV																	
				NTS	C																	
				SHEET	1 of 1																	