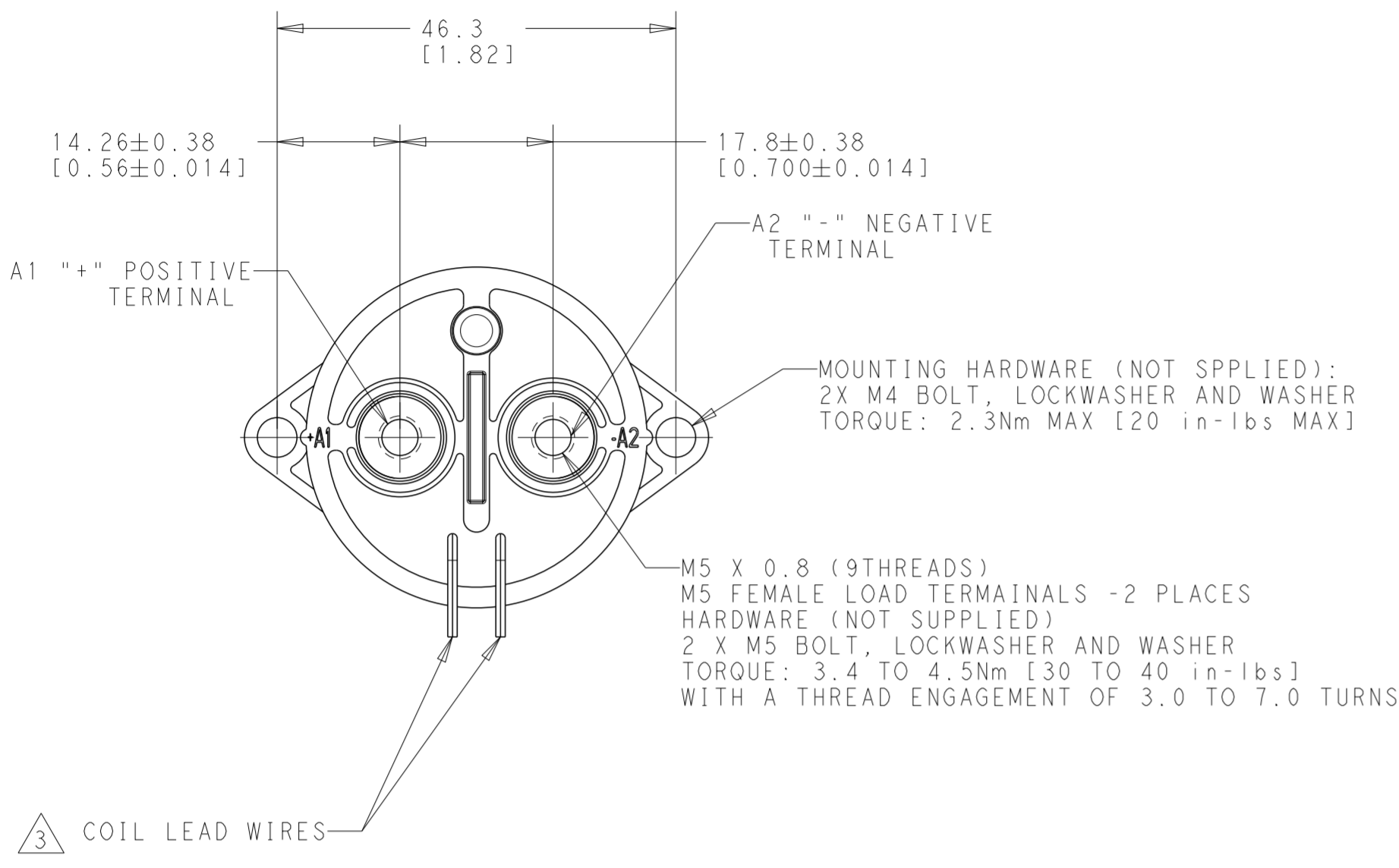
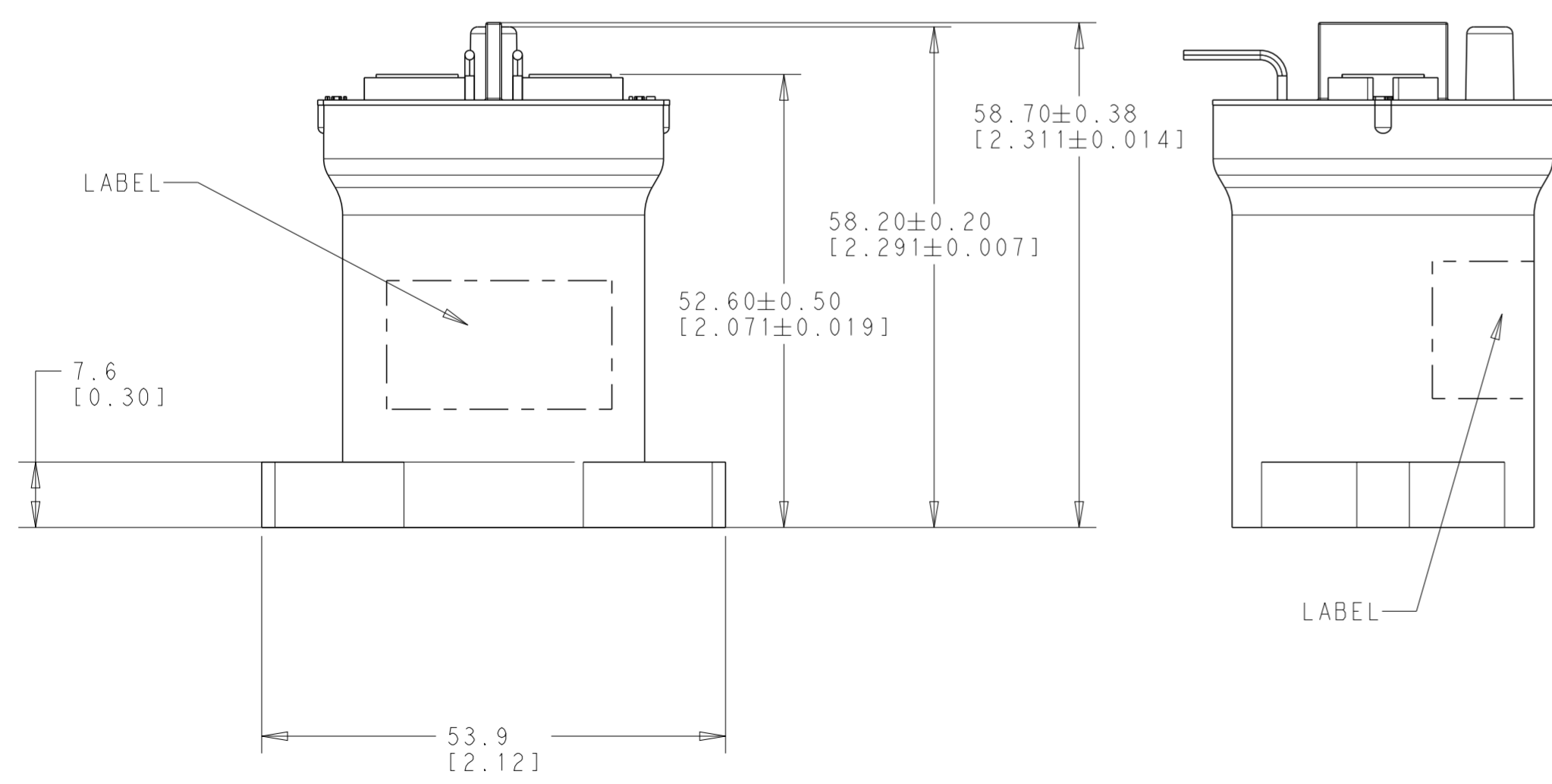
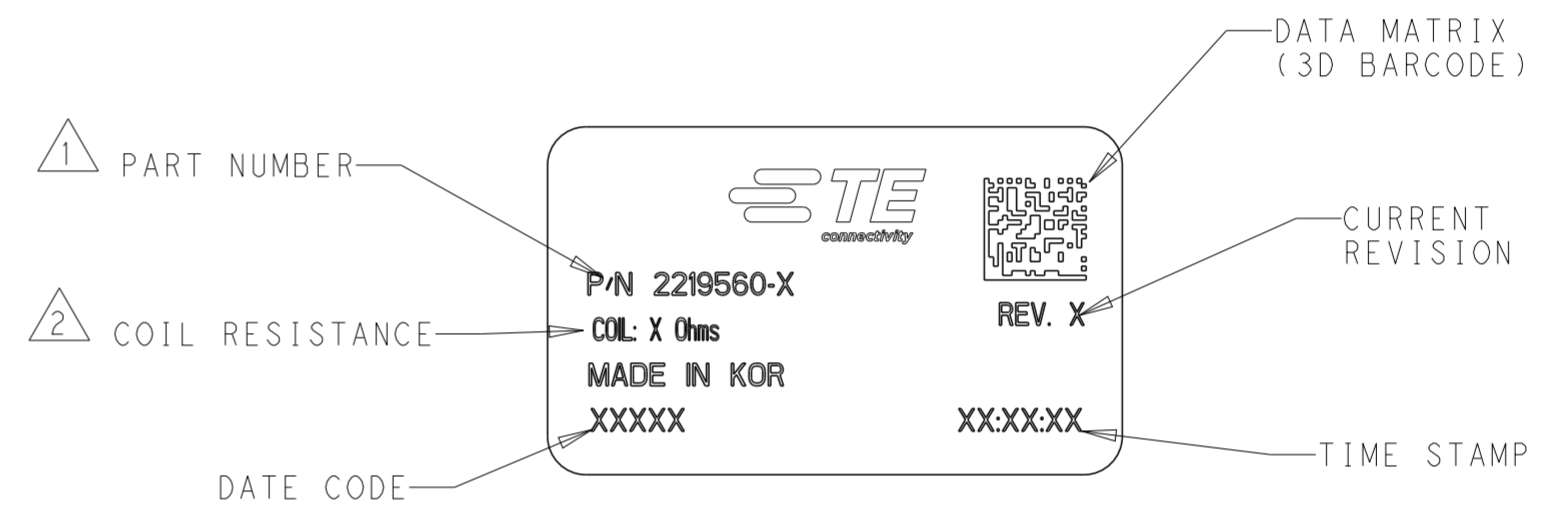


THIS DRAWING IS UNPUBLISHED. RELEASED FOR PUBLICATION 20
 © COPYRIGHT 20 BY - ALL RIGHTS RESERVED.

REVISIONS				
P	LTR	DESCRIPTION	DATE	APVD
A		RELEASED	08JAN2016	SC JK
B		REVISED (ECR-18-014868)	18FEB2019	SC YJ
C		REVISED (ECR-21-002921)	04MAR2022	SH YJ



- 1 PART NUMBER ACCORDINGLY
 - 2 COIL RESISTANCE ACCORDINGLY
 - 3 COIL LEAD WIRES ACCORDINGLY
4. 8.4mm² CONDUCTOR. CUREENT RATING DEPENDS UPON CONDUCTOR SIZE. KEEP TERMINALS BELOW 150°C MAXIMUM CONTIUOUS.
5. 3 MINUTES @ +40°C AMBIENT WITH 8.4mm² (#84AWG) CONDUCTOR.
6. NO REGRIND ALLOWED



OBSOLETE	2219560-8	96Ω	381±6.35mm LENGTH [15±0.25 in LENGTH] 22AWG WIRE
OBSOLETE	2219560-7	26Ω	381±6.35mm LENGTH [15±0.25 in LENGTH] 22AWG WIRE
OBSOLETE	2219560-6	15.3Ω	381±6.35mm LENGTH [15±0.25 in LENGTH] 22AWG WIRE
OBSOLETE	2219560-5	3.8Ω	381±6.35mm LENGTH [15±0.25 in LENGTH] 22AWG WIRE
OBSOLETE	2219560-4	96Ω	152.4±6.4mm LENGTH [6±0.25 in LENGTH] 22AWG WIRE
OBSOLETE	2219560-3	26Ω	152.4±6.4mm LENGTH [6±0.25 in LENGTH] 22AWG WIRE
OBSOLETE	2219560-2	15.3Ω	152.4±6.4mm LENGTH [6±0.25 in LENGTH] 22AWG WIRE
OBSOLETE	2219560-1	3.8Ω	152.4±6.4mm LENGTH [6±0.25 in LENGTH] 22AWG WIRE
	1 PART NUMBER	2 COIL RESISTANCE	3 COIL LEAD WIRE

THIS DRAWING IS A CONTROLLED DOCUMENT.

DWN SH JANG
 CHK JY KIM
 APVD YJ YOUN

TE Connectivity

RELAY EVC135

PRODUCT SPEC
 APPLICATION SPEC

SIZE A2 CAGE CODE 00776 DRAWING NO C-2219560 RESTRICTED TO -

MATERIAL - TOLERANCES UNLESS OTHERWISE SPECIFIED: 0 PLC ±, 1 PLC ±0.3, 2 PLC ±0.13, 3 PLC ±, 4 PLC ±, ANGLES ±, FINISH -

WEIGHT - CUSTOMER DRAWING SCALE 1:1 SHEET 1 OF 1 REV C