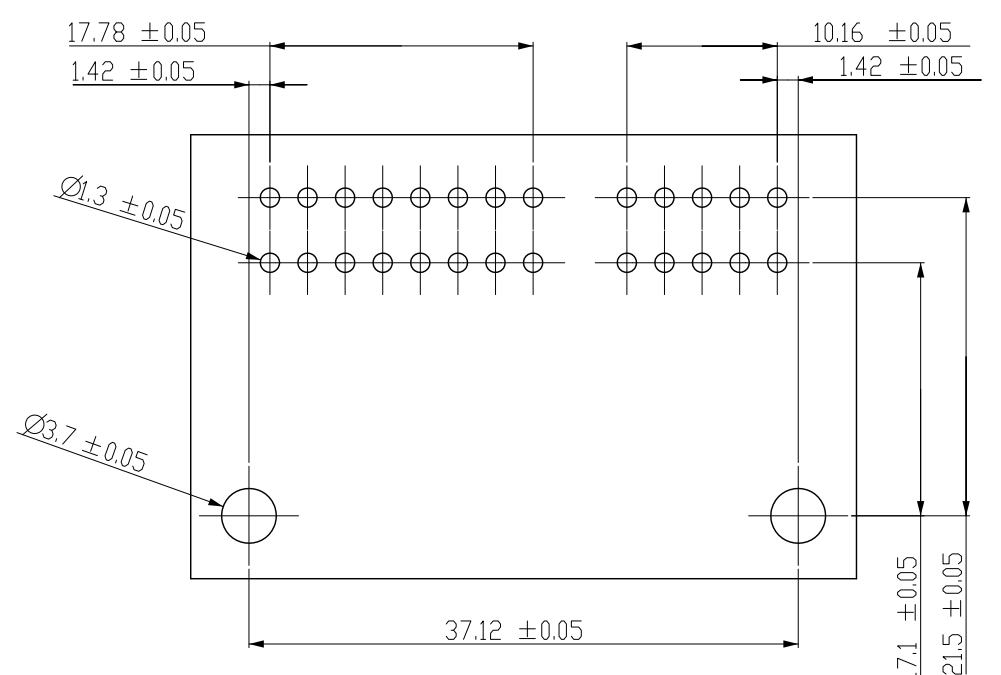
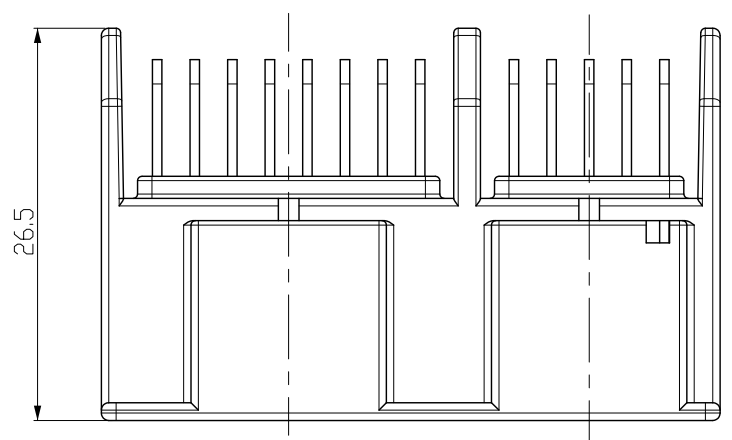
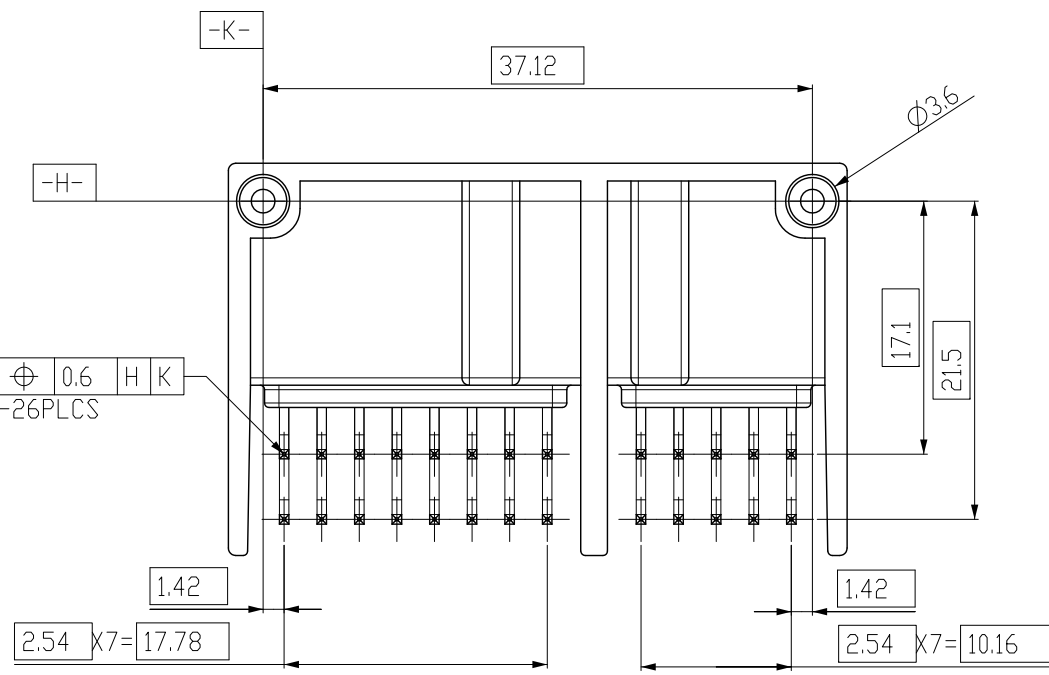
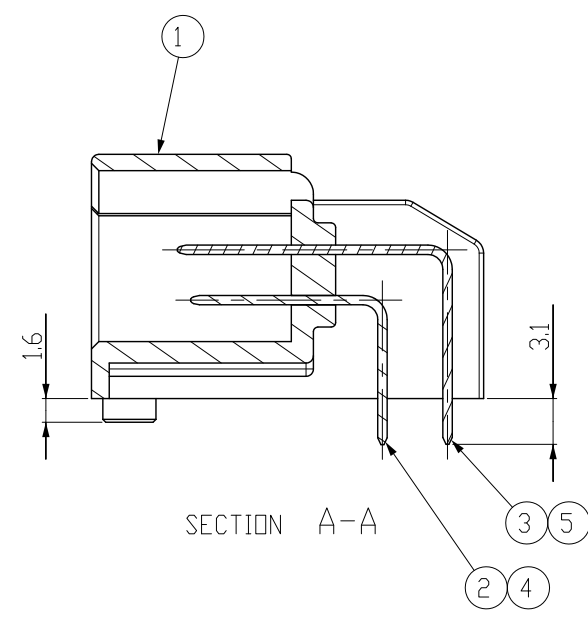
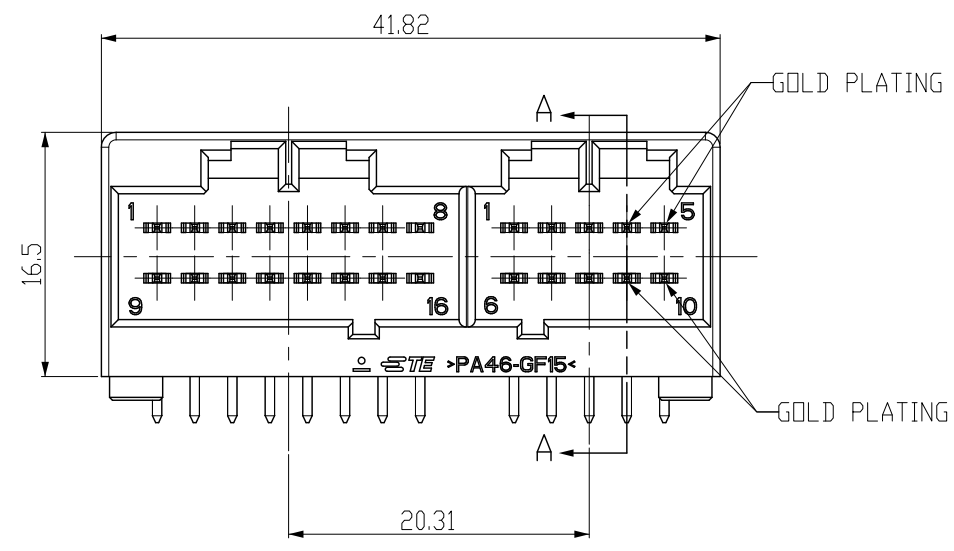


REVISIONS				
P	LTR	DESCRIPTION	DATE	APVD
A		RELEASED	27AUG'15	DG



PCB LAYOUT
 Applicable thickness : 1.6~1.8mm



- NOTES
1. GENERAL TOLERANCE : ± 0.3 , $\pm 1^\circ$
 2. NO CRACK PERMISSIBLE
 3. Tab retention force : Min. 15Newton
 4. Applicable screw : M2 x 3.5
 5. Screw fastening torque : Max. 0.35 N m.
 6. APPLICABLE COUNTER PART (PLUG) P/N : 2219422/2219428

NO.	COLOR	MATERIAL	DESCRIPTION	QT'Y
5	SELECTIVE GOLD	COPPER ALLOY	.025 TAB TERMINAL(M)	2
4	SELECTIVE GOLD	COPPER ALLOY	.025 TAB TERMINAL(S)	2
3	SELECTIVE BRIGHT TIN	COPPER ALLOY	.025 TAB TERMINAL(M)	11
2	SELECTIVE BRIGHT TIN	COPPER ALLOY	.025 TAB TERMINAL(S)	11
1	BLACK	PA46-GF15	.025 26P HEADER HSG	1

THIS DRAWING IS A CONTROLLED DOCUMENT.		DWN DG JEONG		
DIMENSIONS: mm		CHK KT LIM		
TOLERANCES UNLESS OTHERWISE SPECIFIED:		APVD HG CHD	NAME .025 26P HEADER ASS'Y	
		PRODUCT SPEC -	RESTRICTED TO -	
MATERIAL SEE TABLE		FINISH -	APPLICATION SPEC -	SIZE A3
		WEIGHT -	CAGE CODE 00779	DRAWING NO C-2219435
		CUSTOMER DRAWING	SCALE 2:1	SHEET 1 OF 1