

THIS DRAWING IS UNPUBLISHED.

RELEASED FOR PUBLICATION

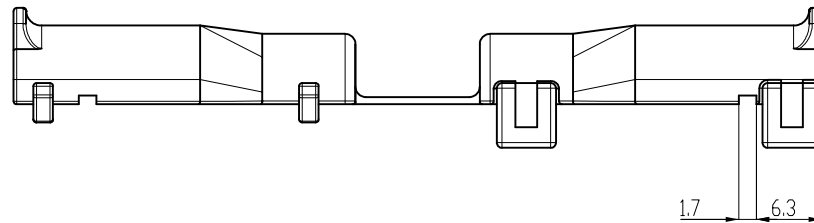
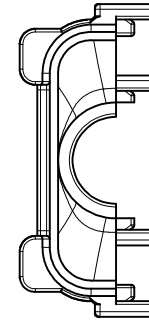
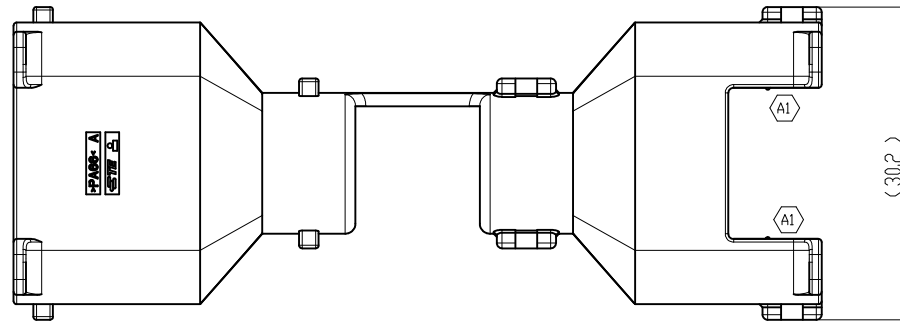
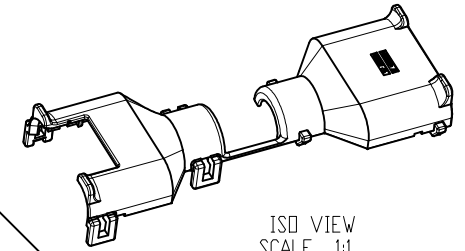
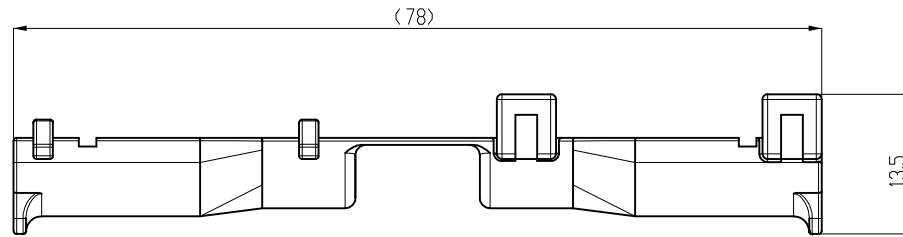
20

© COPYRIGHT 20

ALL RIGHTS RESERVED.

REVISIONS

P	LTR	DESCRIPTION	DATE	DWN	APVD
	A	RELEASE	24.JUL.15	SM	HG
	A1	REVISED (ECR-19-000066)	03.JAN.19	SK	YJ



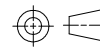
NOTE :

- GENERAL TOLERANCE : ± 0.3 , $\pm 30^\circ$
- ALLIED CONNECTOR ASS'Y : 1897726-2, 1-1897726-2, 2-1897726-3
- CORRUGATE TUBE : $\varnothing 7$

1	BLACK	PA66	COVER HSG	2219417-2
NO	COLOR	MATERIAL	DESCRIPTION	P/N

THIS DRAWING IS A CONTROLLED DOCUMENT.

DIMENSIONS:
MM



TOLERANCES UNLESS OTHERWISE SPECIFIED:

0 PLC	\pm	-
1 PLC	\pm	0.1
2 PLC	\pm	0.01
3 PLC	\pm	0.001
4 PLC	\pm	0.0001
ANGLES	\pm	-

MATERIAL

FINISH

DWN

SM LEE

CHK

KT LIM

APVD

HG CHO

PRODUCT SPEC

APPLICATION SPEC

WEIGHT

CUSTOMER DRAWING



TE Connectivity

PLUG ASS'Y COVER FOR MT-II SEALED 10P

SIZE	CAGE CODE	DRAWING NO	RESTRICTED TO
A3	00779	C= 2219417	-

SCALE	SHEET	OF	REV
2:1	1	1	A1