

4

3

2

1

THIS DRAWING IS UNPUBLISHED.

RELEASED FOR PUBLICATION

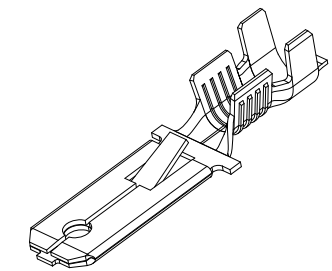
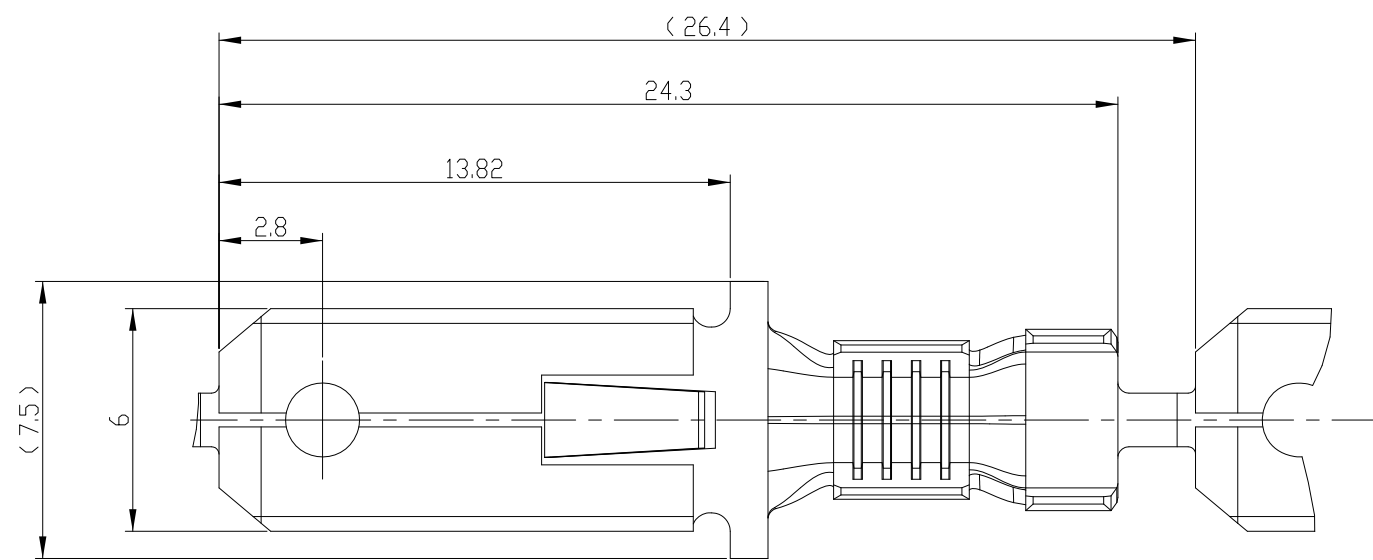
20

REVISIONS

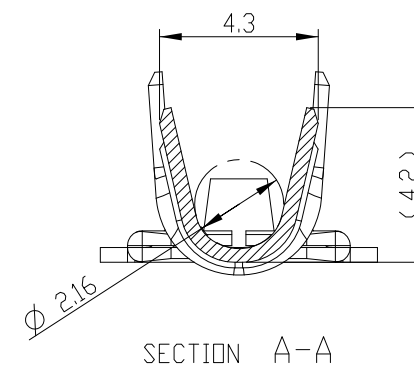
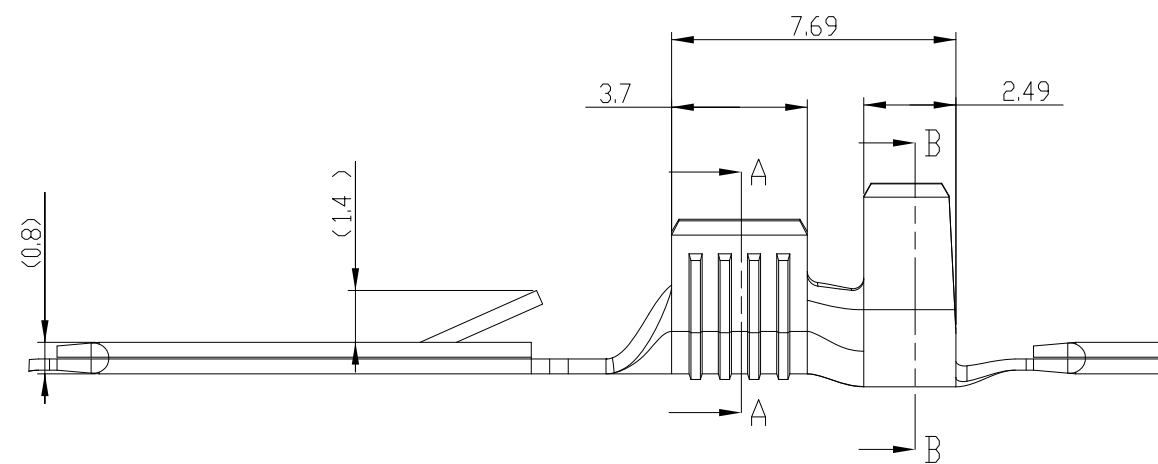
© COPYRIGHT 20 BY -

ALL RIGHTS RESERVED.

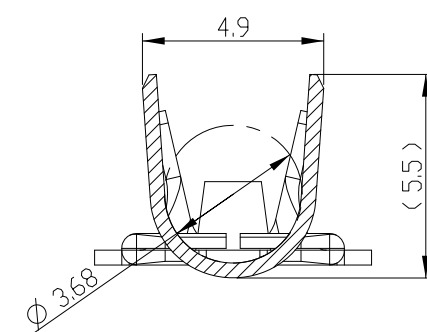
P	LTR	DESCRIPTION	DATE	DWN	APVD
	A	RELEASED	13AUG'15	SH	HG



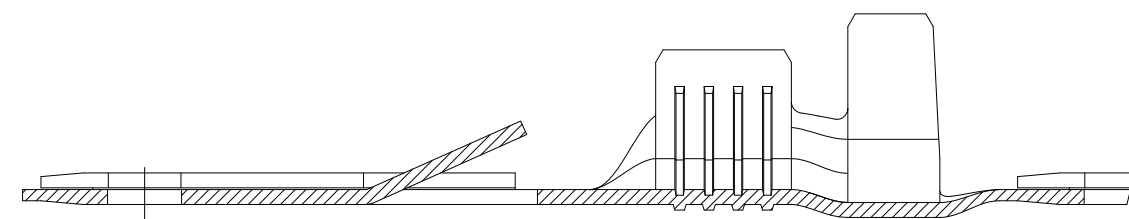
SCALE 2:1



SECTION A-A



SECTION B-B



SECTION C-C

NOTE

- 1. GENERAL TOLERANCE: ± 0.3 , $\pm 3^\circ$
- 2. WIRE RANGE : 3.0 mm²
INSULATION DIA : 3.6~3.8 DIA

PRE-TINNED	BRASS/ THK 0.4	250 SERIES TAB	2219341-1
FINISH	MATERIAL	DESCRIPTION	P/N

THIS DRAWING IS A CONTROLLED DOCUMENT.

DWN SH JANG

CHK KT LIM

APVD HG CHD

PRODUCT SPEC

APPLICATION SPEC

114-61077

WEIGHT -

CUSTOMER DRAWING

NAME

.250 TAB TERMINAL

SIZE

CAGE CODE

DRAWING NO

RESTRICTED TO

A3

00779

©-2219341

-

SCALE 5:1

SHEET 1 OF 1

REV A

DIMENSIONS:
mm



TOLERANCES UNLESS OTHERWISE SPECIFIED:

0 PLC	\pm
1 PLC	\pm
2 PLC	\pm
3 PLC	\pm
4 PLC	\pm
ANGLES	\pm
FINISH	-