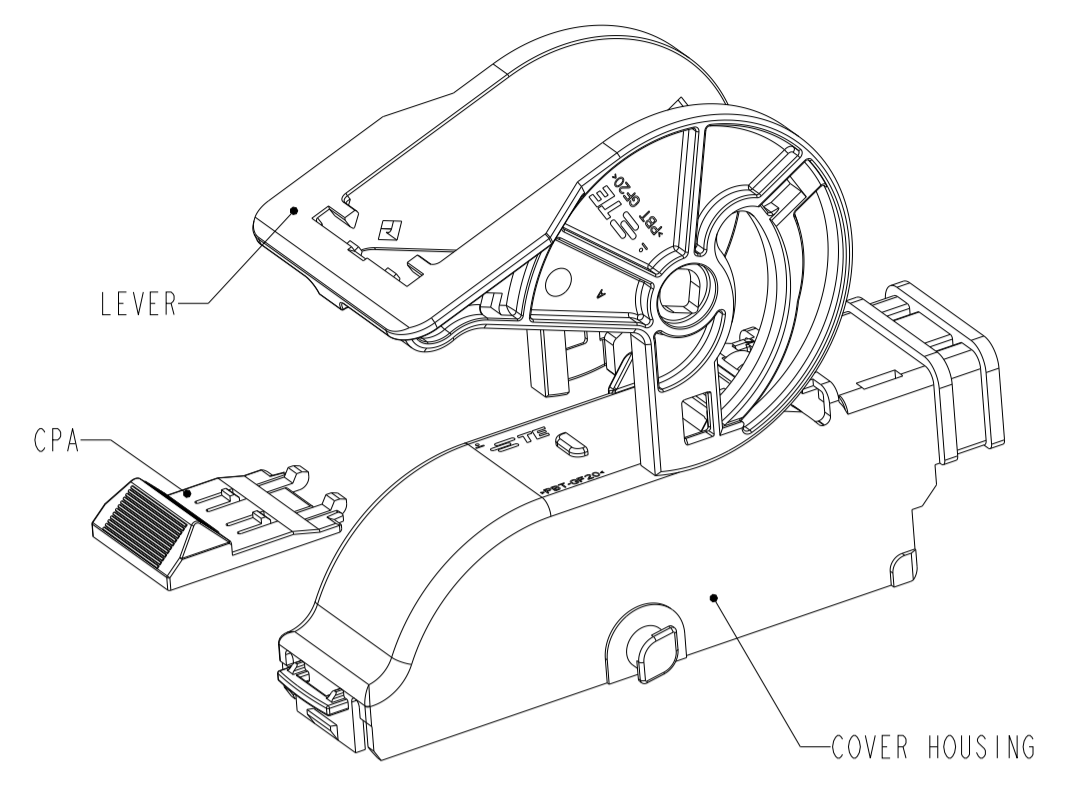
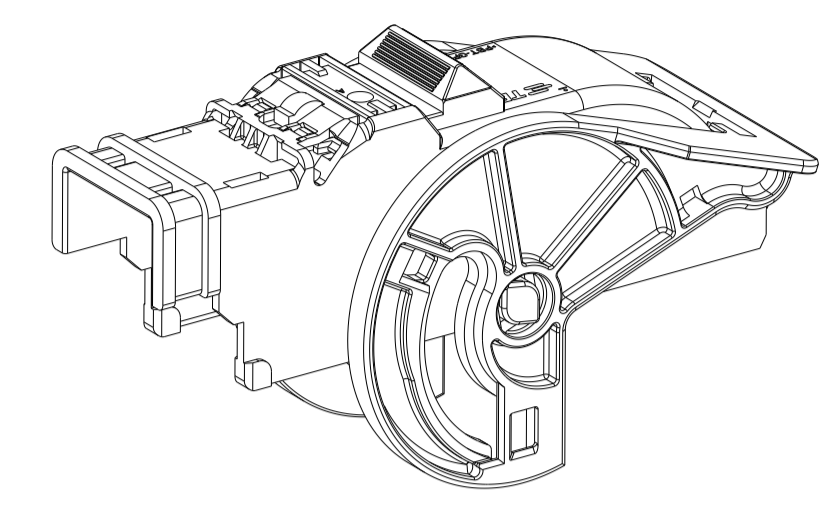
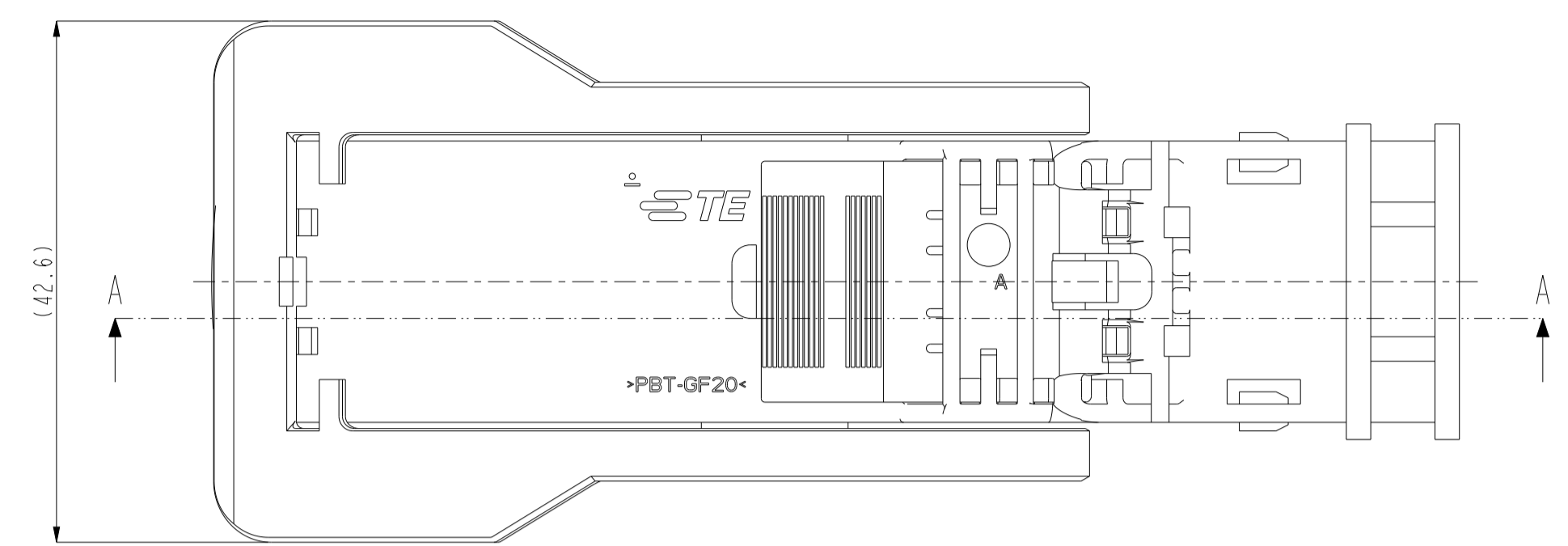


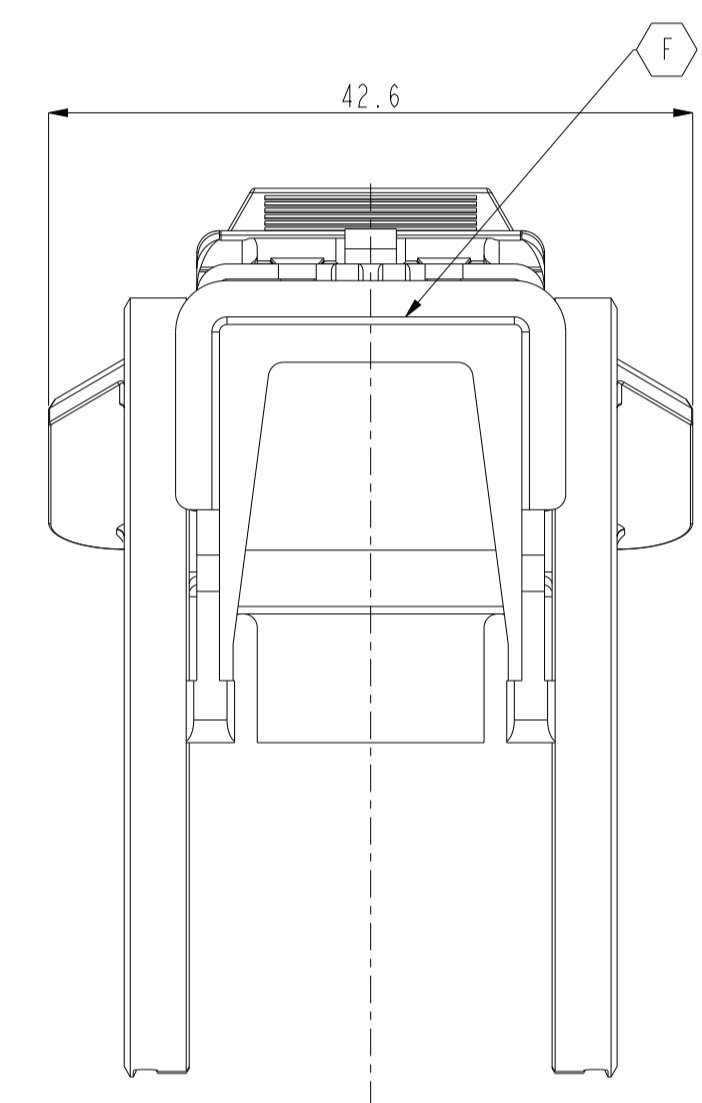
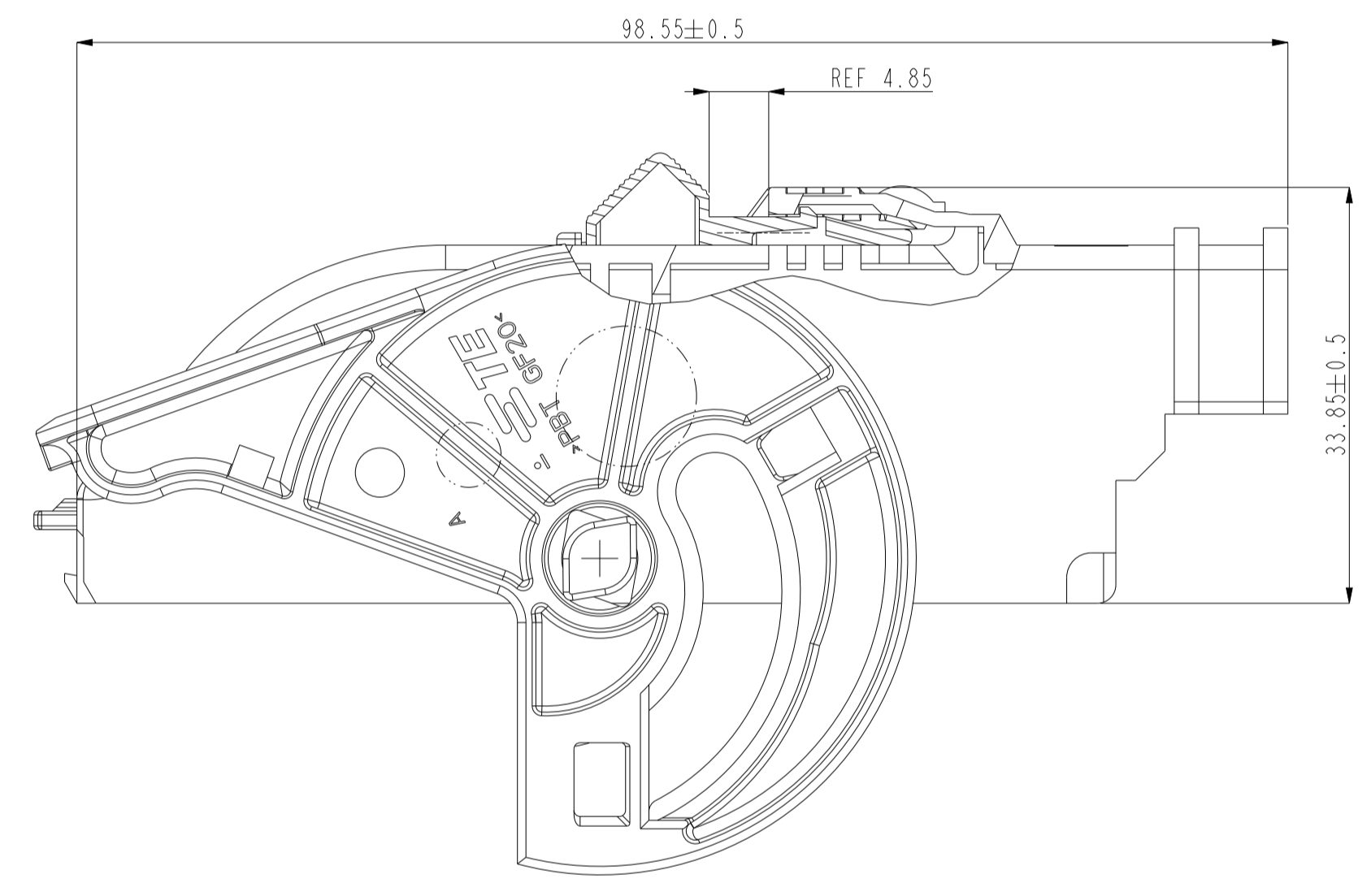
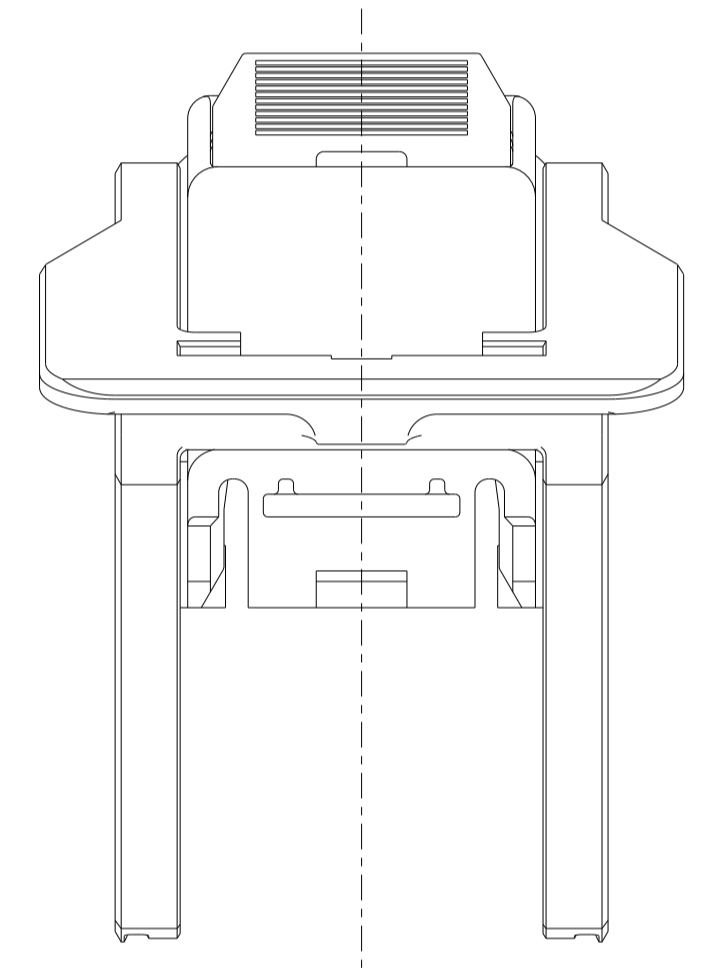
050/110/250 46P COVER ASSY TYPE A
 2219072-1 (F)
 2219072-2 (F)

REVISIONS					
P	LTN	DESCRIPTION	DATE	OWN	APVD
D1		REVISED (ECR-18-018484)	19FEB2019	EW	YJ
E		REVISED (ECR-20-008194) REPLACE 20-007469	09JUN2020	EW	YJ
F		REVISED (ECR-22-133667)	10AUG2022	CH	KT
G		REVISED (ECR-23-170182)	24MAR2023	SY	KT



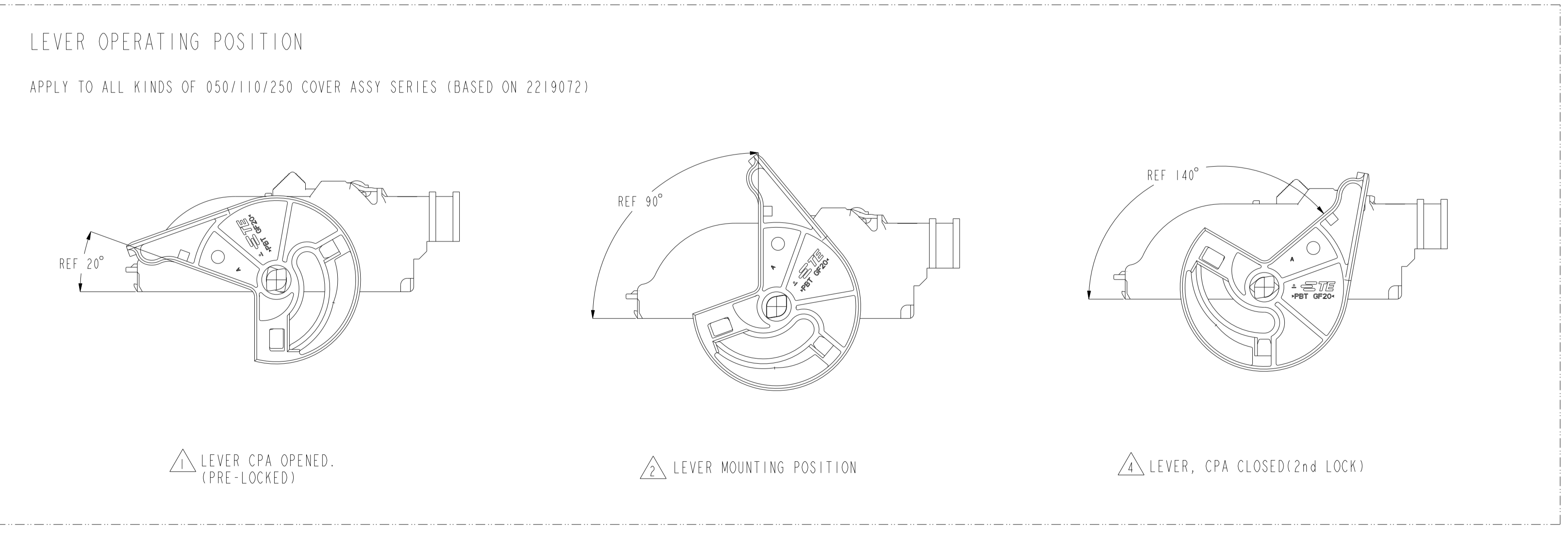
< EXPLODE VIEW >

- NOTES
- DELIVERY CONDITION: LEVER (2) IN PRELOCKED POSITION
CPA (3) IN PRELOCKED POSITION
 - LEVER MOUNTING POSITION
 - LEVER MUST ROTATE SMOOTHLY UNTIL LOCKING
 - LEVER AND CPA END LOCK POSITION
 - GENERAL TOLERANCE : $\pm 0.3, \pm 3^\circ$
 - APPLICABLE PLUG ASS'Y PN: 2209520, 2317063
 - SEE THE SHEET 2 OF 2 ABOUT OTHERS SERIES.



SECTION A-A
SCALE 2:1

ASSY P/N	ASSY DESCRIPTION	(G)	(G)	(F)	(F)	(F)	(F)	(F)	(F)	(F)	(F)
9-2219072-4	COVER ASSY TYPE E										
9-2219072-2	COVER ASSY TYPE D										
8-2219072-2	COVER ASSY TYPE B (NON-CPA/BASIC LEVER)										
7-2219072-2	COVER ASSY TYPE A (NON-CPA/BASIC LEVER)										
6-2219072-2	COVER ASSY TYPE B (NON-CPA/NON RIB LEVER)										
5-2219072-2	COVER ASSY TYPE A (NON-CPA/NON RIB LEVER)										
4-2219072-2	COVER ASSY TYPE C (NON-RIB LEVER)										
3-2219072-2	COVER ASSY TYPE B (NON-RIB LEVER)										
2-2219072-3	COVER ASSY TYPE A (HAND GRIP LEVER)										
2-2219072-2	COVER ASSY TYPE A (NON-RIB LEVER)										
1-2219072-3	COVER ASSY TYPE B										
1-2219072-2	COVER ASSY TYPE B										
1-2219072-1	COVER ASSY TYPE B										
0-2219072-2	COVER ASSY TYPE A										
0-2219072-1	COVER ASSY TYPE A										



NO	COLOR/FINISH	MATERIAL	DESCRIPTION	QT'Y
13	RED	PBT-GF10	CPA	
12	GRAY	PBT-GF10	CPA	
(F) 11	GRAY	PBT-GF20	HAND GRIP LEVER	
(G) 10	GRAY	PBT-GF20	LEVER TYPE B	
9	GRAY	PBT-GF20	NON-RIB LEVER	
8	GRAY	PBT-GF20	BASIC LEVER	
7	GRAY	PBT-GF20	LEVER TYPE A	
6	BLACK	PBT-GF20	LEVER TYPE A	
5	BLACK	PBT-GF20	COVER HSG TYPE E	
4	BLACK	PBT-GF20	COVER HSG TYPE D	
3	BLACK	PBT-GF20	COVER HSG TYPE C	
2	BLACK	PBT-GF20	COVER HSG TYPE B	
(F) 1	BLACK	PBT-GF20	COVER HSG TYPE A	

THIS DRAWING IS A CONTROLLED DOCUMENT.

DIMENSIONS: mm
 TOLERANCES UNLESS OTHERWISE SPECIFIED:
 0 PLC ±
 1 PLC ±
 2 PLC ±
 3 PLC ±
 4 PLC ±
 ANGLES ±
 FINISH

MATERIAL: SEE TABLE

OWN: EW CHUN
 CHK: YD LEE
 APVD: YJ YOUN
 PRODUCT SPEC
 APPLICATION SPEC

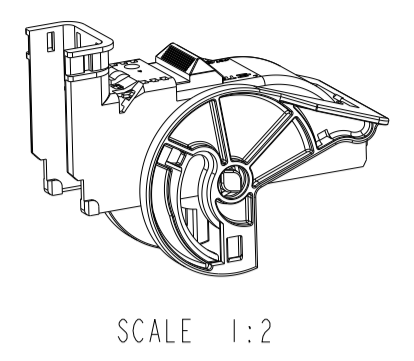
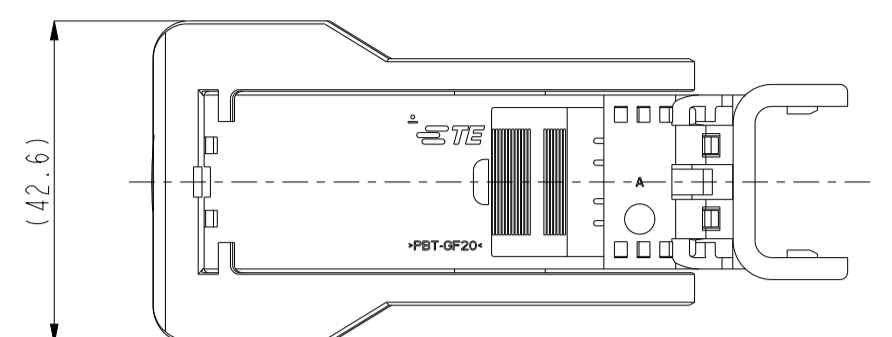
NAME: 050/110/250 46P COVER ASSY

SIZE: A1
 CAGE CODE: 00779
 DRAWING NO: C=2219072

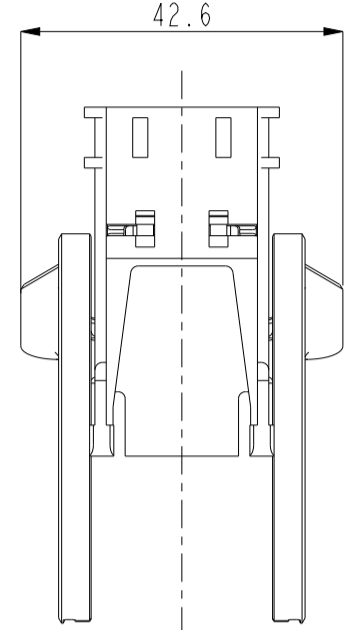
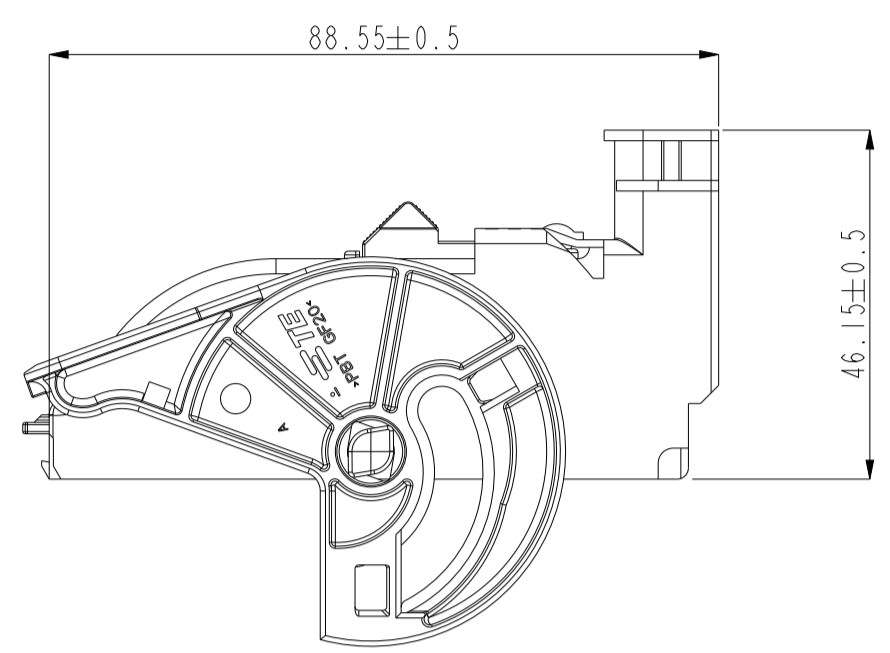
RESTRICTED TO: G

CUSTOMER DRAWING
 SCALE: 1:1
 SHEET: 1 OF 3
 REV: G

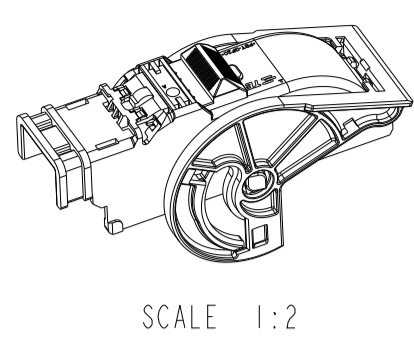
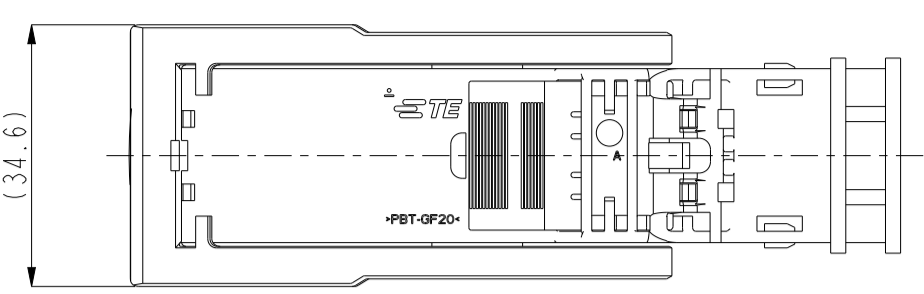
46P COVER ASSY TYPE B
1-2219072-1
1-2219072-2
1-2219072-3



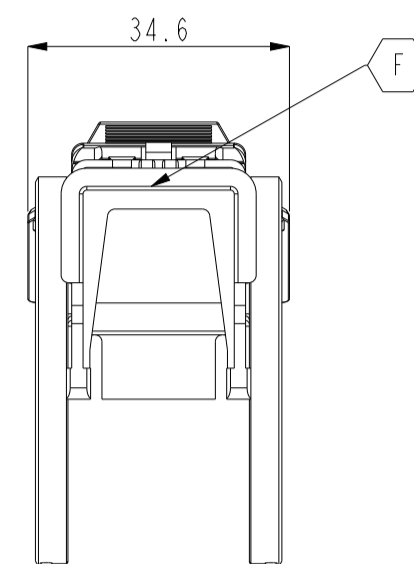
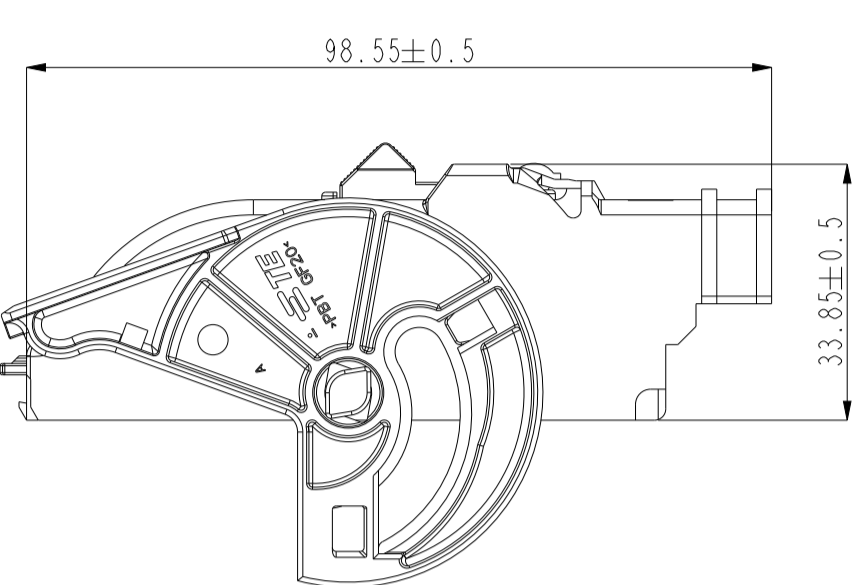
SCALE 1:2



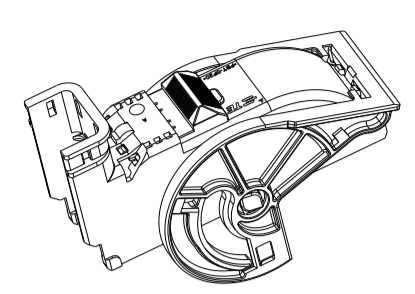
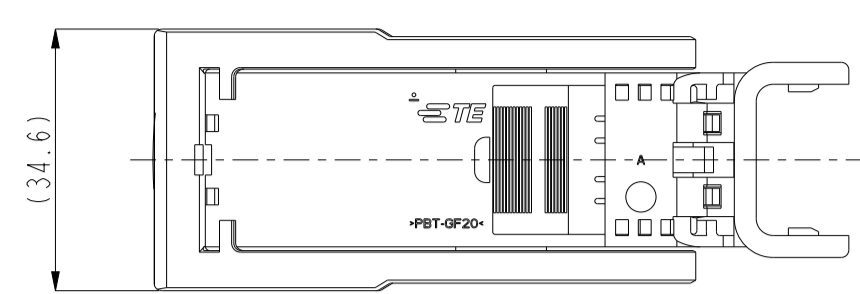
46P COVER ASSY TYPE A (NON-RIB LEVER)
2-2219072-2 (F)



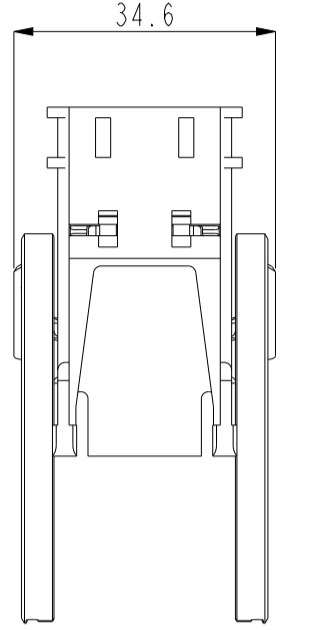
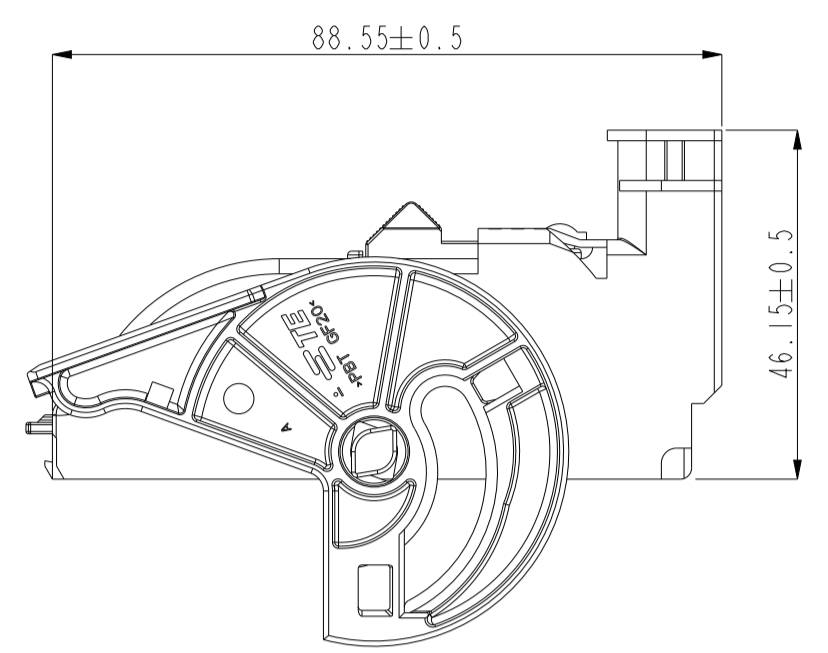
SCALE 1:2



46P COVER ASSY TYPE B (NON-RIB LEVER)
3-2219072-2

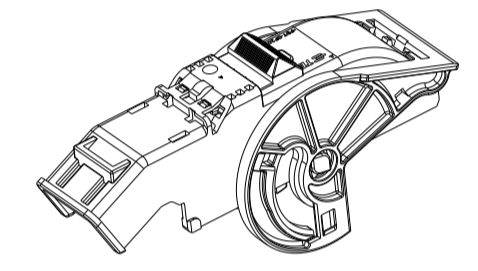
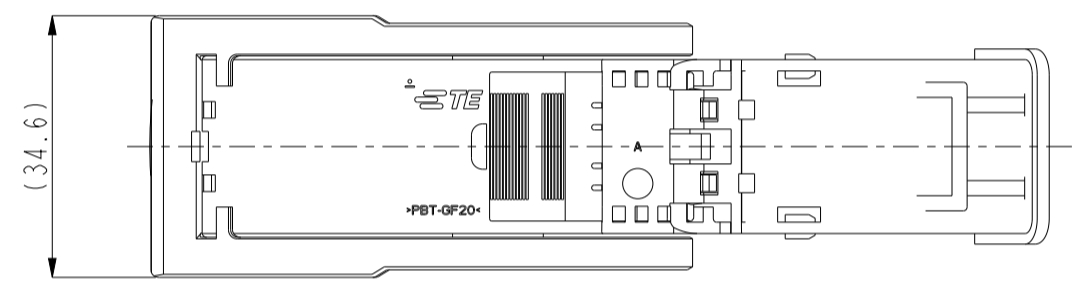


SCALE 1:2

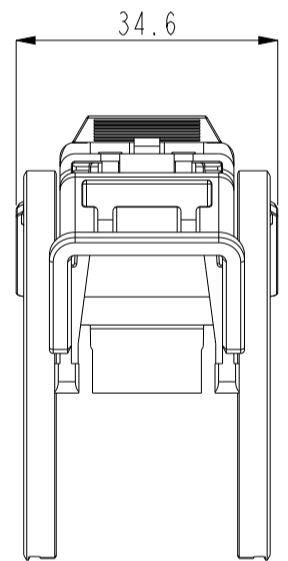
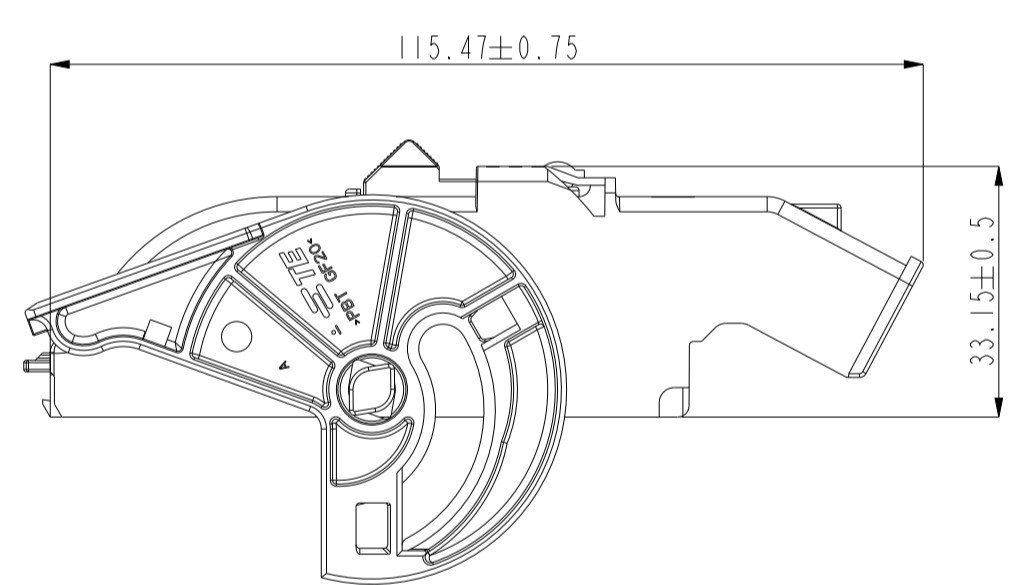


REVISIONS				
P	LTN	DESCRIPTION	DATE	APVD
		SEE SHEET 1		

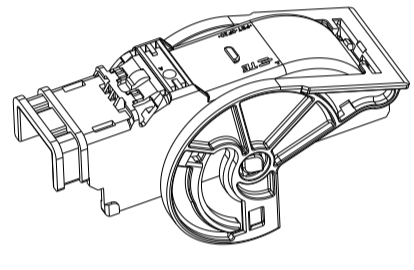
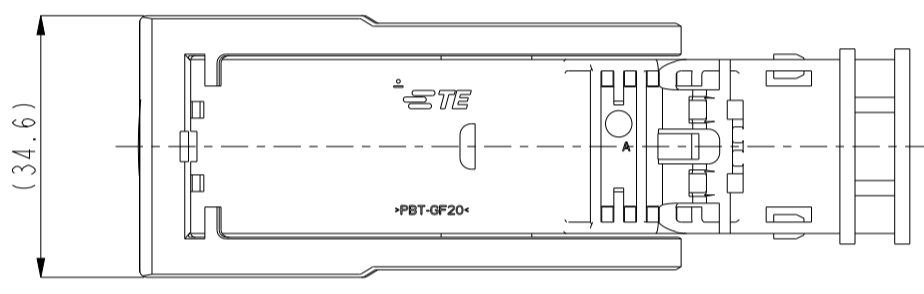
46P COVER ASSY TYPE C (NON-RIB LEVER)
4-2219072-2



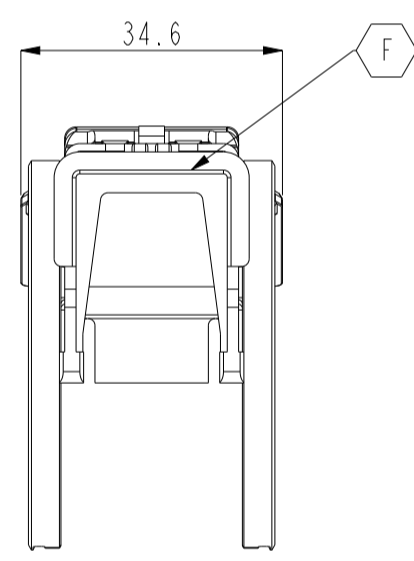
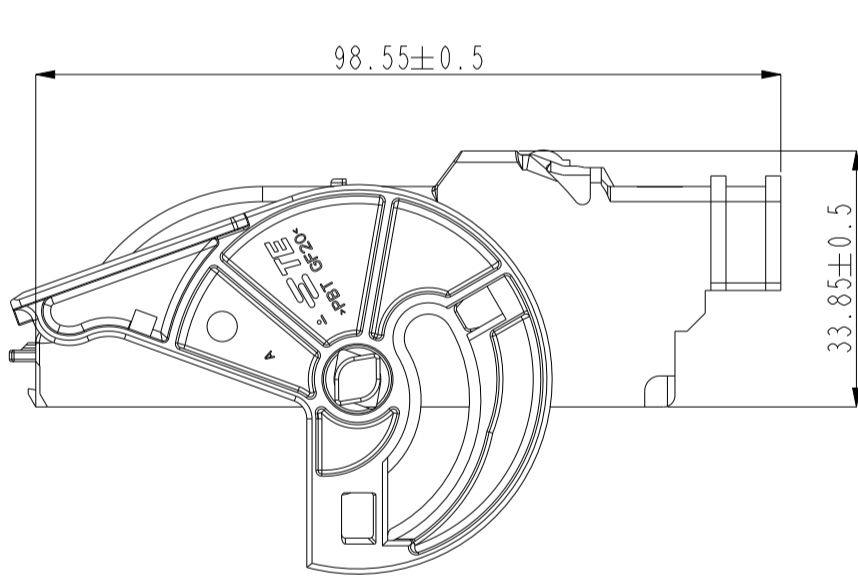
SCALE 1:2



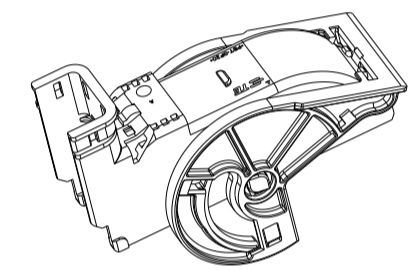
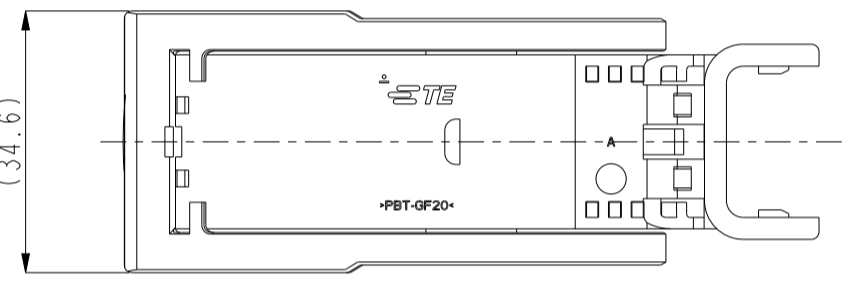
46P COVER ASSY TYPE A (NON-CPA/NON-RIB LEVER)
5-2219072-2 (F)



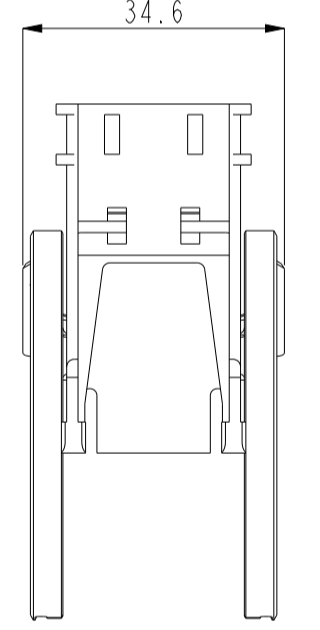
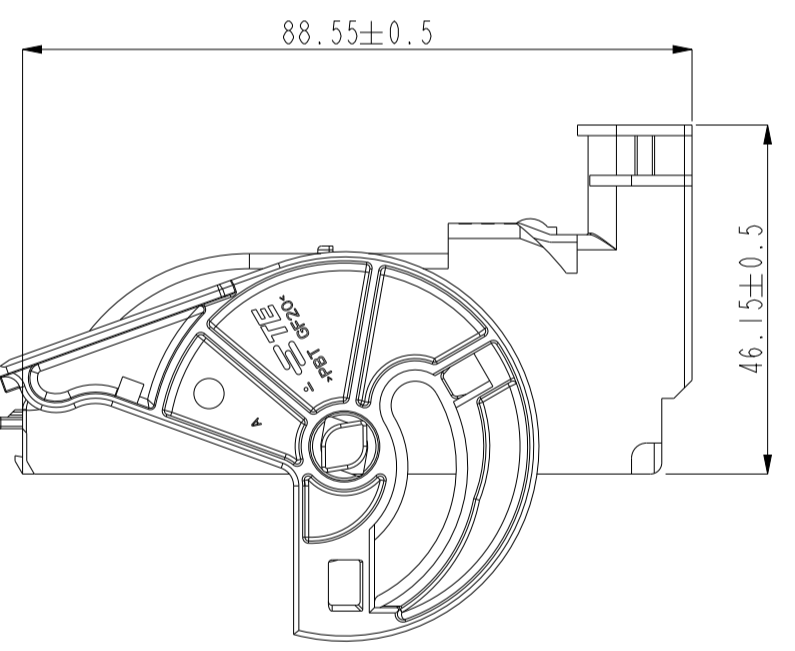
SCALE 1:2



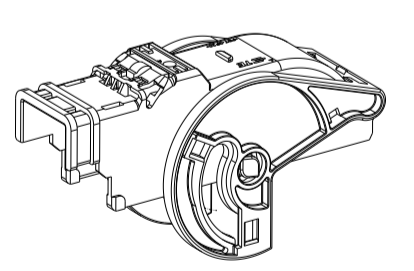
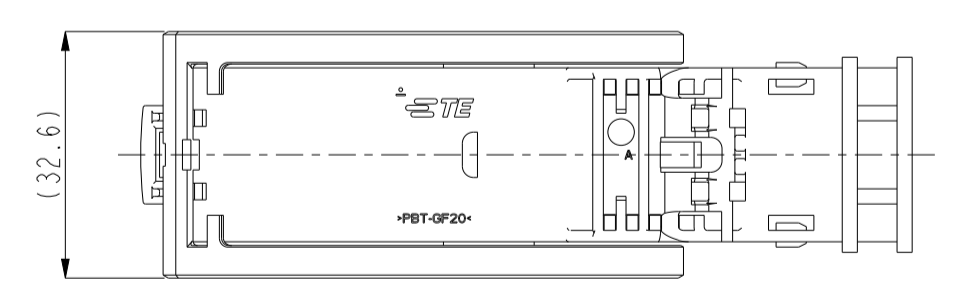
46P COVER ASSY TYPE B (NON-CPA/NON-RIB LEVER)
6-2219072-2



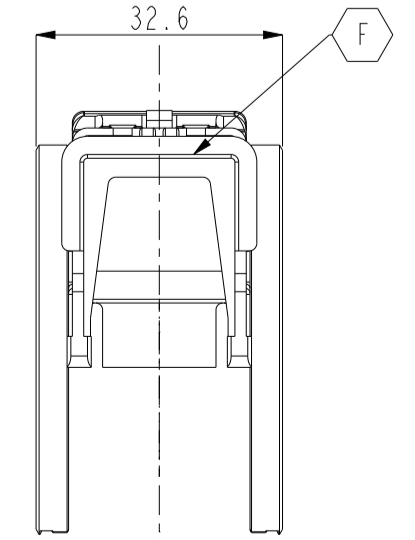
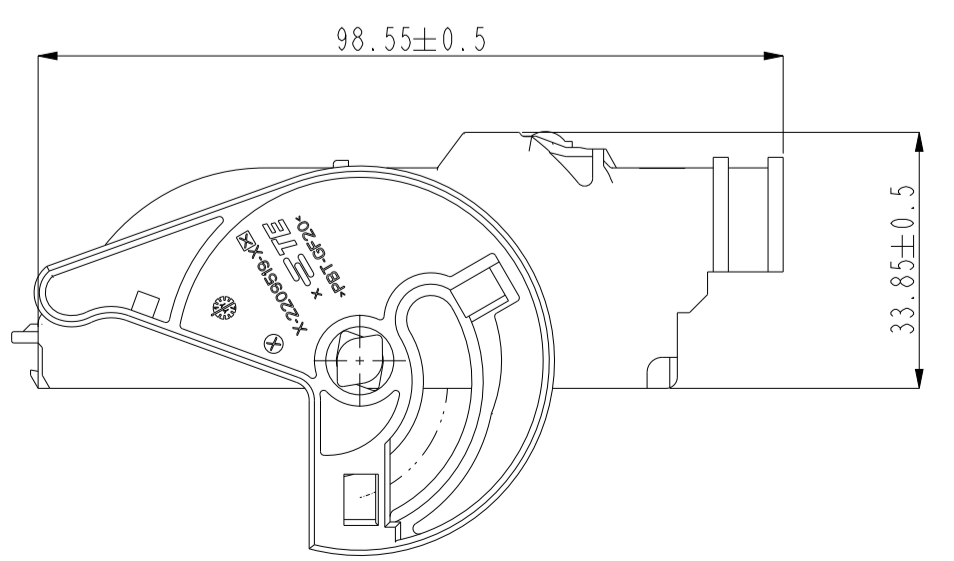
SCALE 1:2



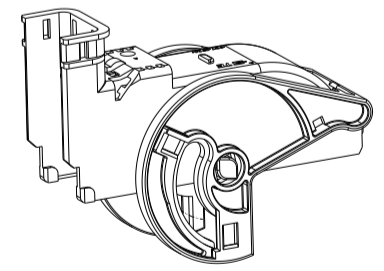
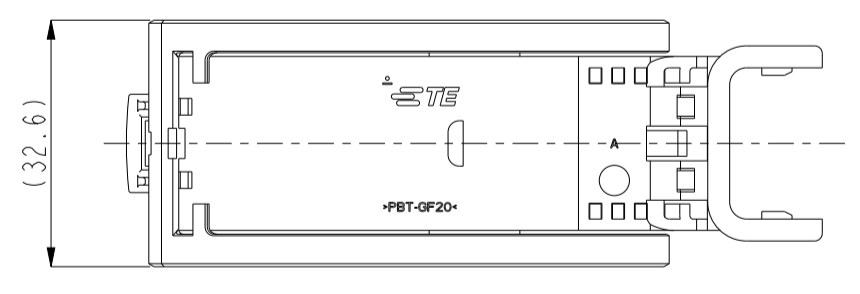
46P COVER ASSY TYPE A (NON-CPA/BASIC LEVER)
7-2219072-2 (F)



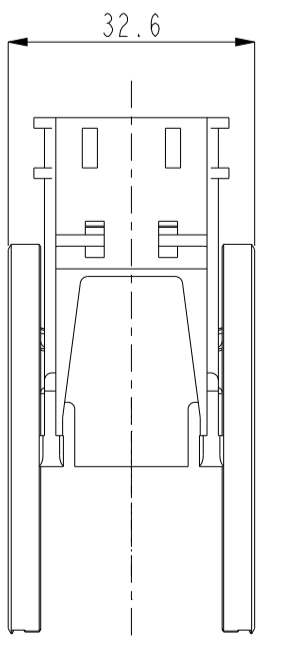
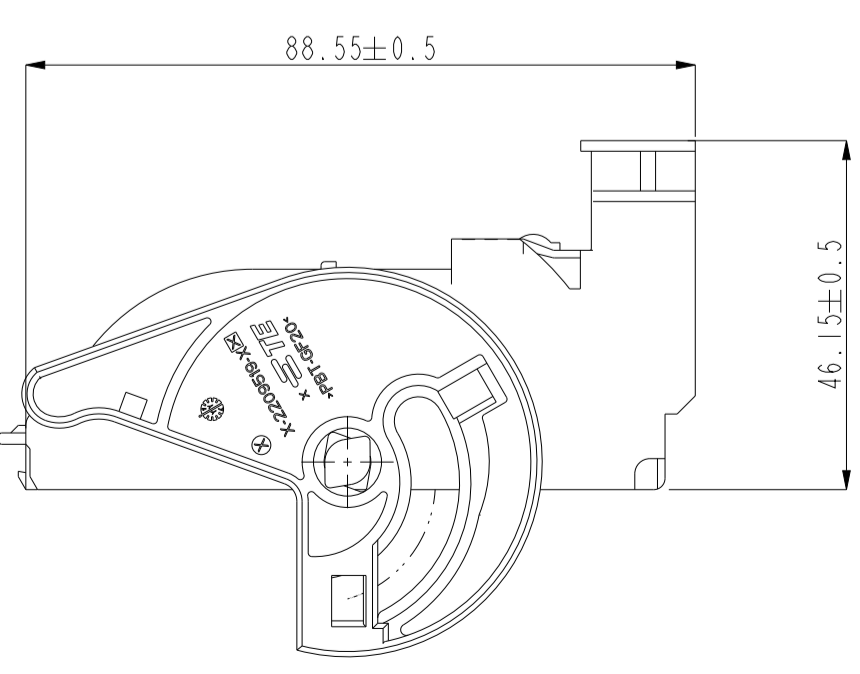
SCALE 1:2



46P COVER ASSY TYPE B (NON-CPA/BASIC LEVER)
8-2219072-2



SCALE 1:2

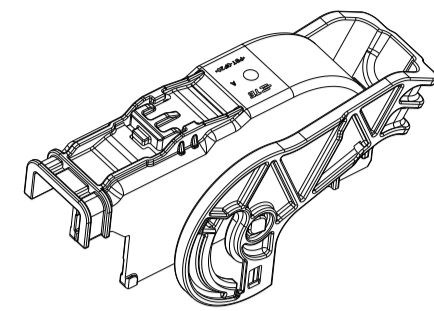
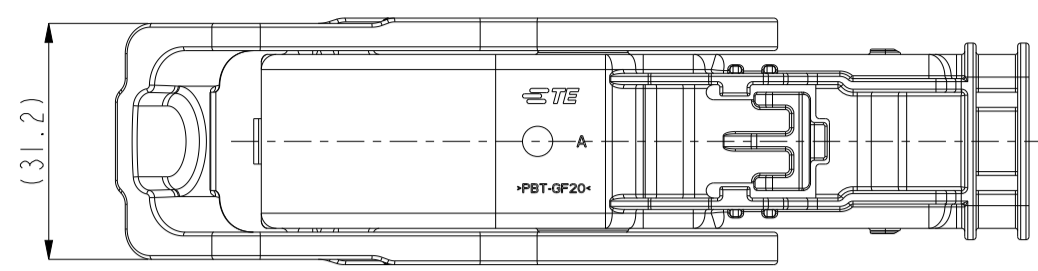


8. REFER 1 PAGE FOR THE UNSPECIFIED DIMENSION.
- CPA STROKE DISTANCE.

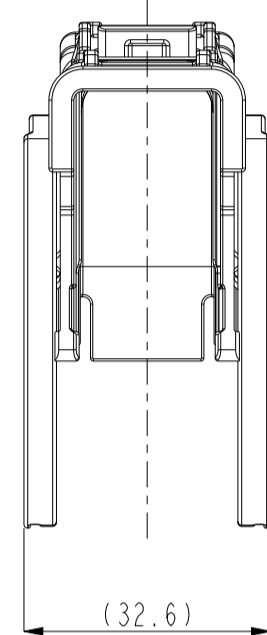
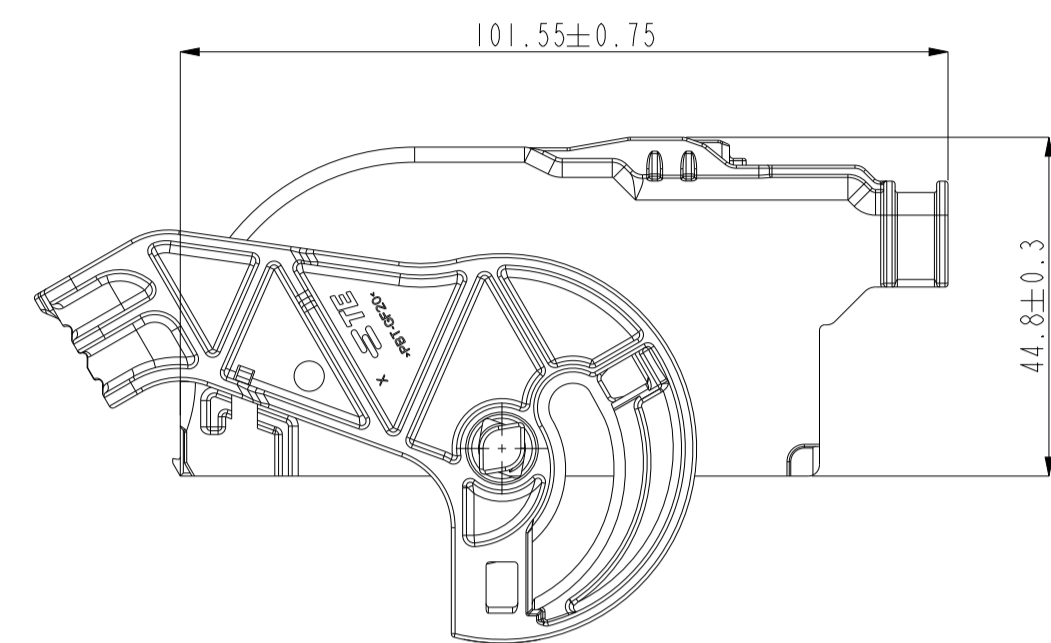
THIS DRAWING IS A CONTROLLED DOCUMENT.		DWN	TE Connectivity	
DIMENSIONS:		CHK	NAME	
mm	TOLERANCES UNLESS OTHERWISE SPECIFIED	APVD	050/110/250 46P COVER ASSY	
0 PLC	±	PRODUCT SPEC	SIZE CAGE CODE DRAWING NO	
1 PLC	±	APPLICATION SPEC	A1 00779 C-2219072	
2 PLC	±	WEIGHT	RESTRICTED TO	
3 PLC	±	CUSTOMER DRAWING	SCALE 2:1 SHEET 2 OF 3 REV G	
4 PLC	±			
ANGLES	±			
FINISH	±			
SEE SHEET 1				

REVISIONS				
P	LTN	DESCRIPTION	DATE	APVD
		SEE SHEET 1		

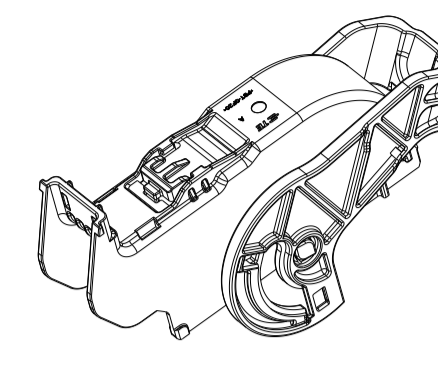
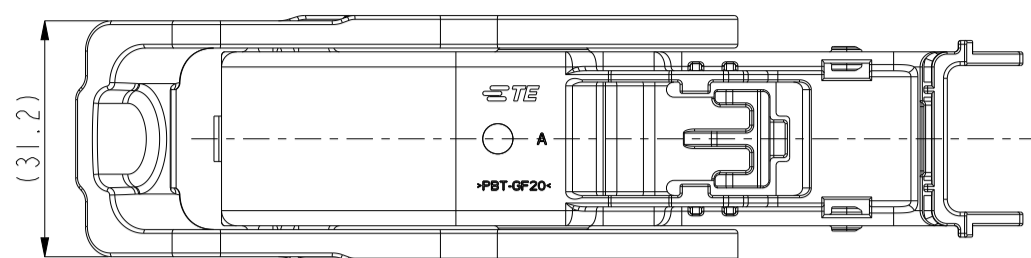
46P COVER ASSY TYPE D $\text{\textcircled{G}}$
 9-2219072-2



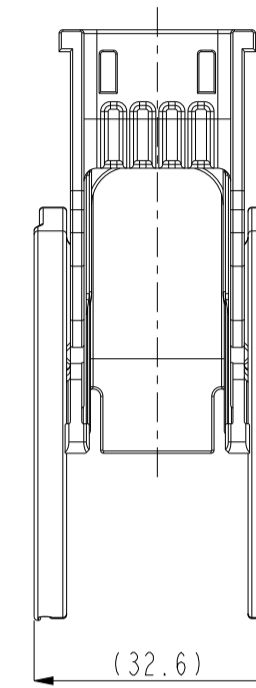
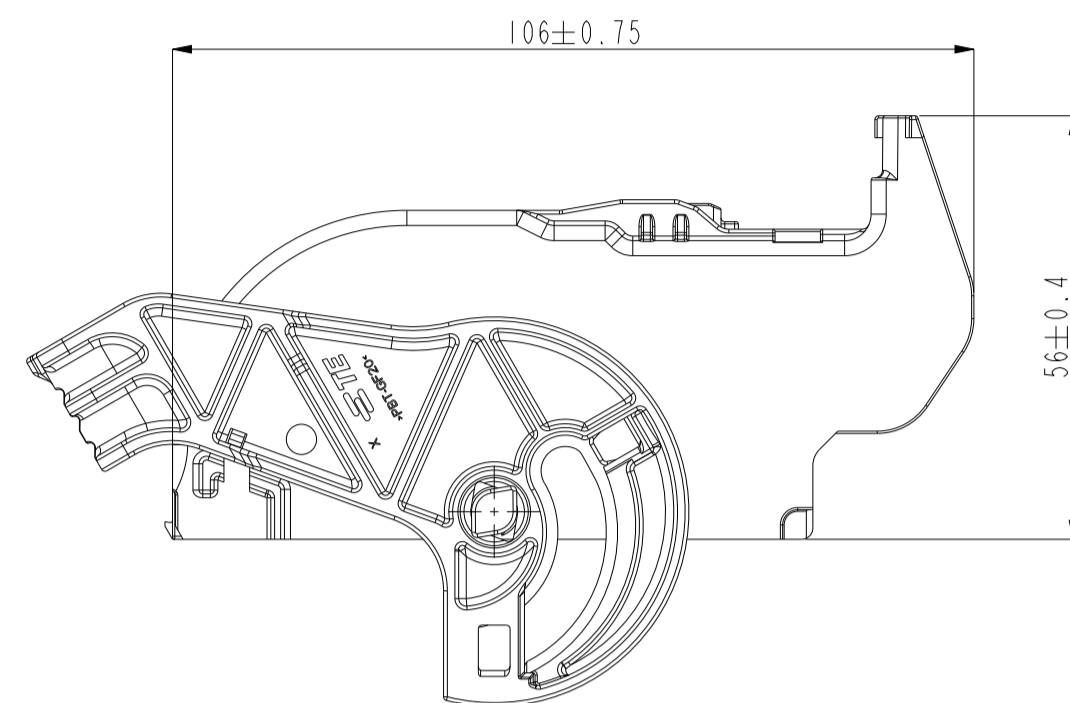
SCALE 1:2



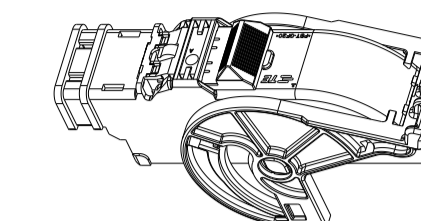
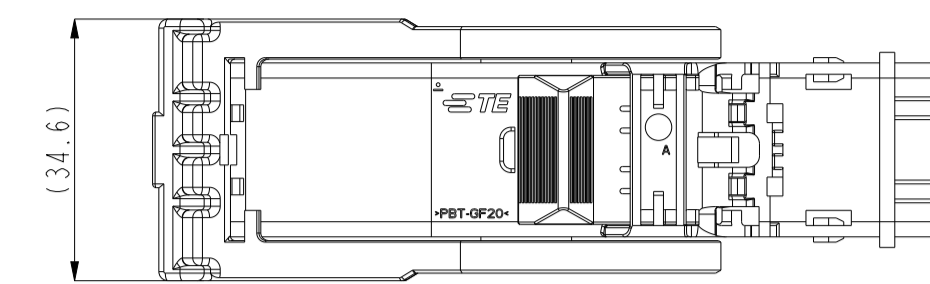
46P COVER ASSY TYPE E $\text{\textcircled{G}}$
 9-2219072-4



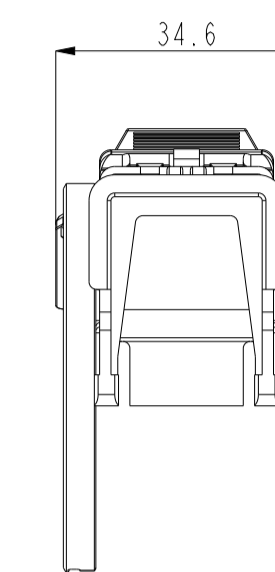
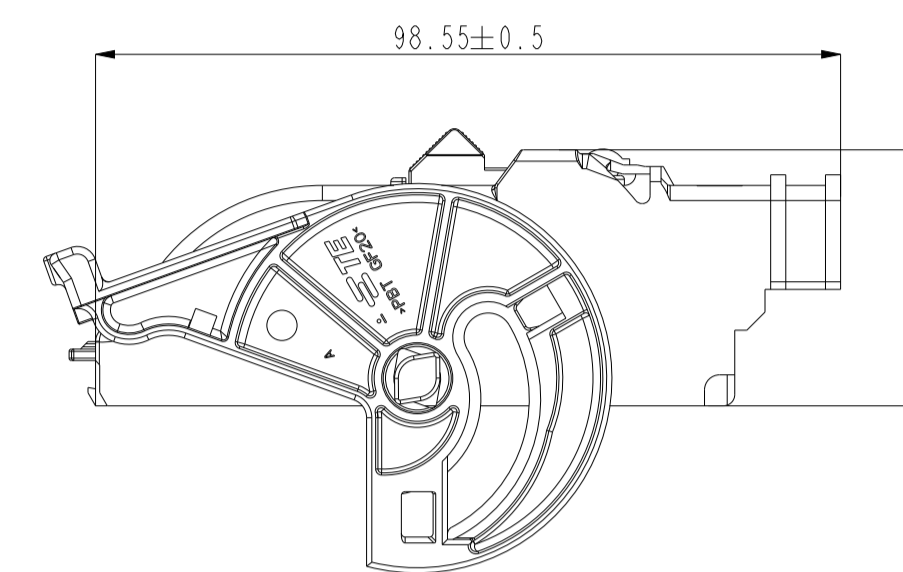
SCALE 1:2



46P COVER ASSY TYPE A (HAND GRIP LEVER)
 2-2219072-3 $\text{\textcircled{E1}}$



SCALE 1:2



THIS DRAWING IS A CONTROLLED DOCUMENT.		DWN -	TE Connectivity	
DIMENSIONS:		CHK -	NAME	
mm	TOLERANCES UNLESS OTHERWISE SPECIFIED	APVD -	050/110/250 46P COVER ASSY	
	0 PLC ±	PRODUCT SPEC		
	1 PLC ±	APPLICATION SPEC		
	2 PLC ±	SIZE	CAGE CODE	DRAWING NO
	3 PLC ±	A1	00779	2219072
	4 PLC ±	RESTRICTED TO		REV
	ANGLES ±	CUSTOMER DRAWING		G
	FINISH -	SCALE	SHEET	OF
SEE SHEET 1		1:1	3	3