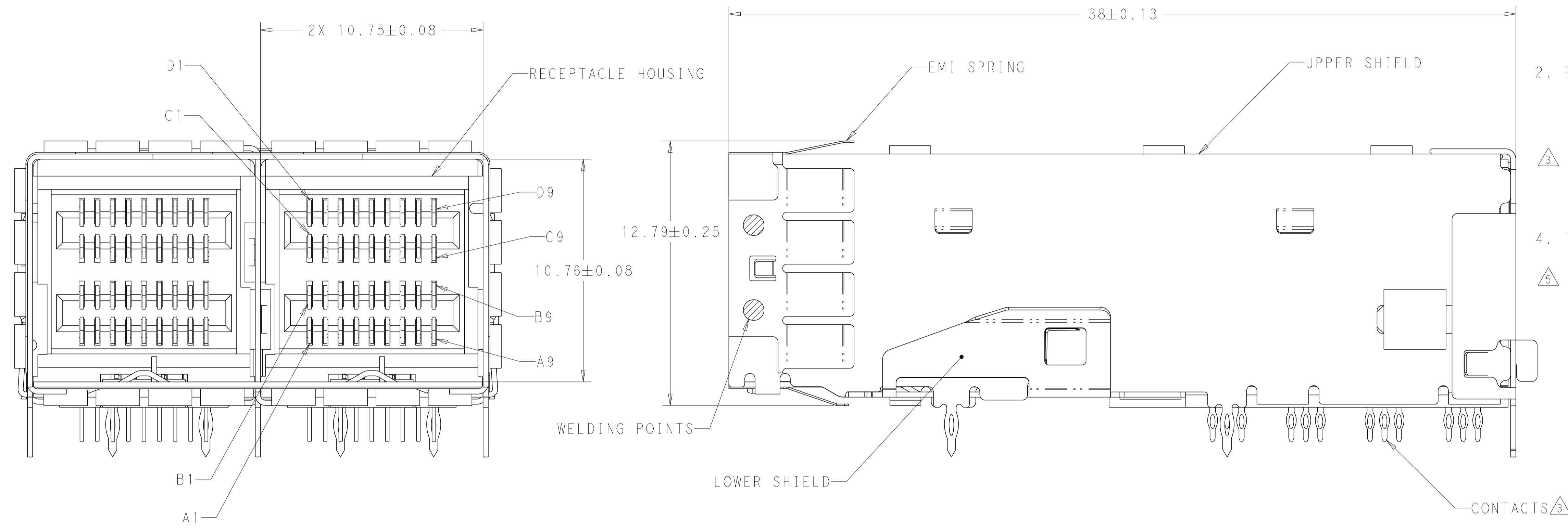
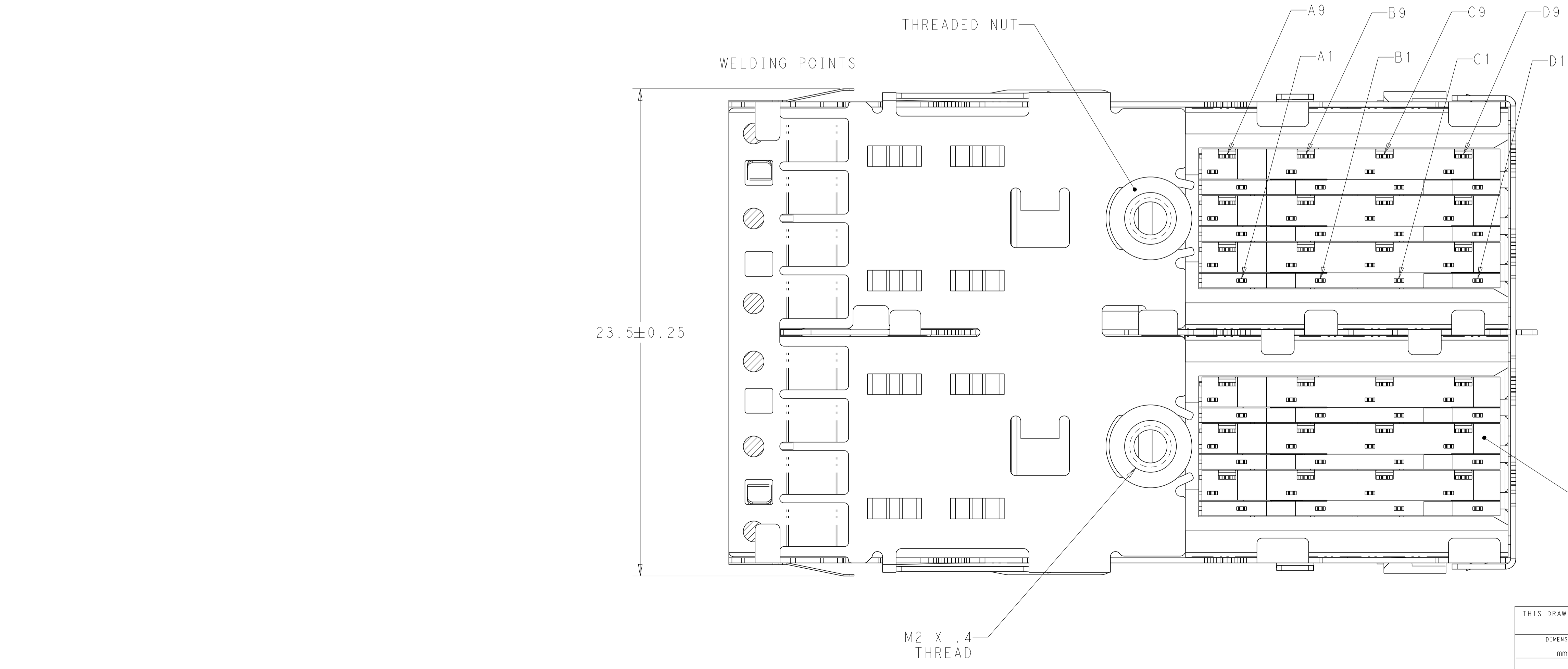


LOC	DIST	REVISIONS			
P	LTN	DESCRIPTION	DATE	DMN	APVD
A		REVISED PER ECO-14-018497	17DEC2014	AP	DG
B		REVISED PER ECO-15-013876	16MAY2016	JY	SH
C		REVISED PER ECN-23-235977	26OCT2023	AB	SZ



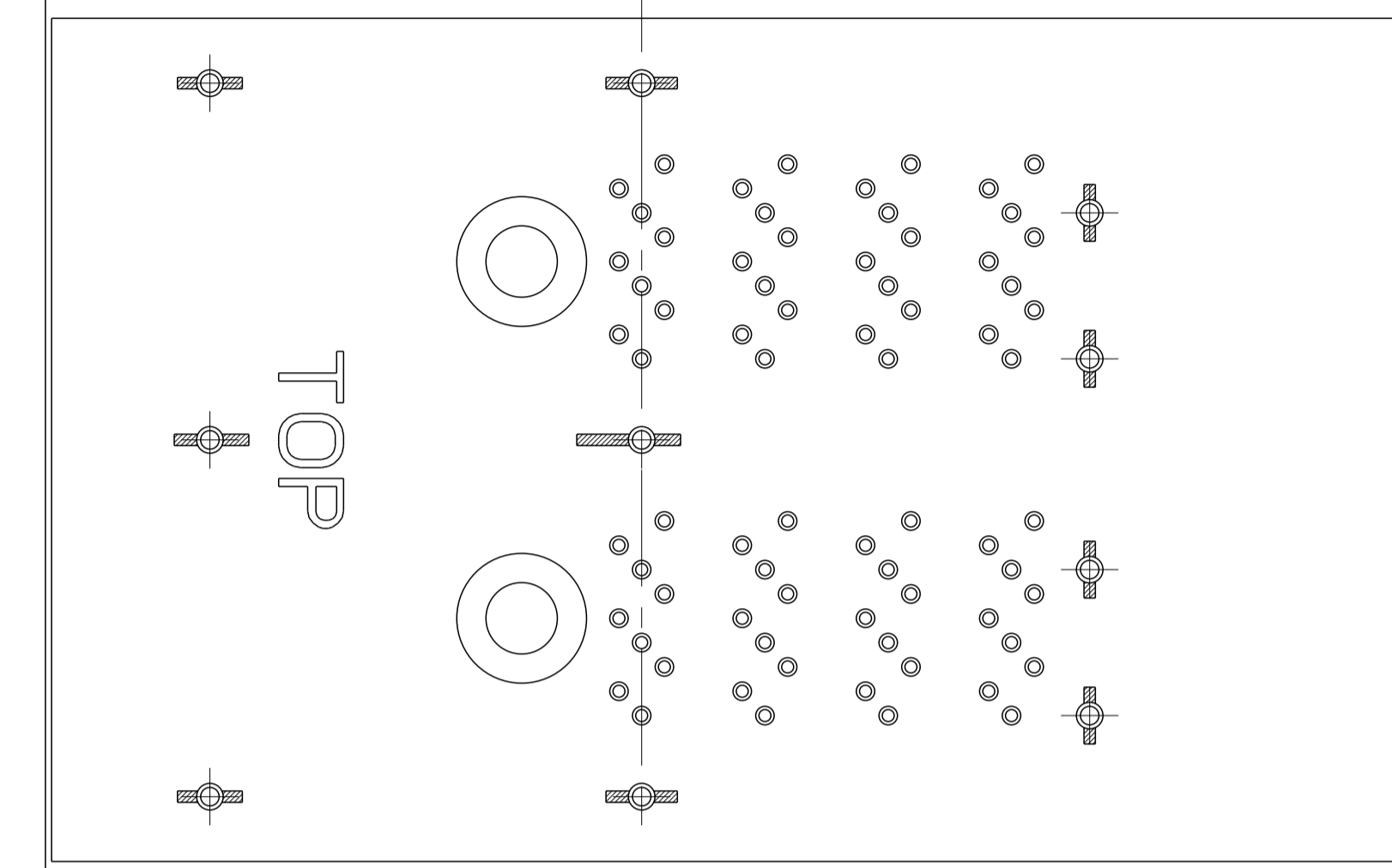
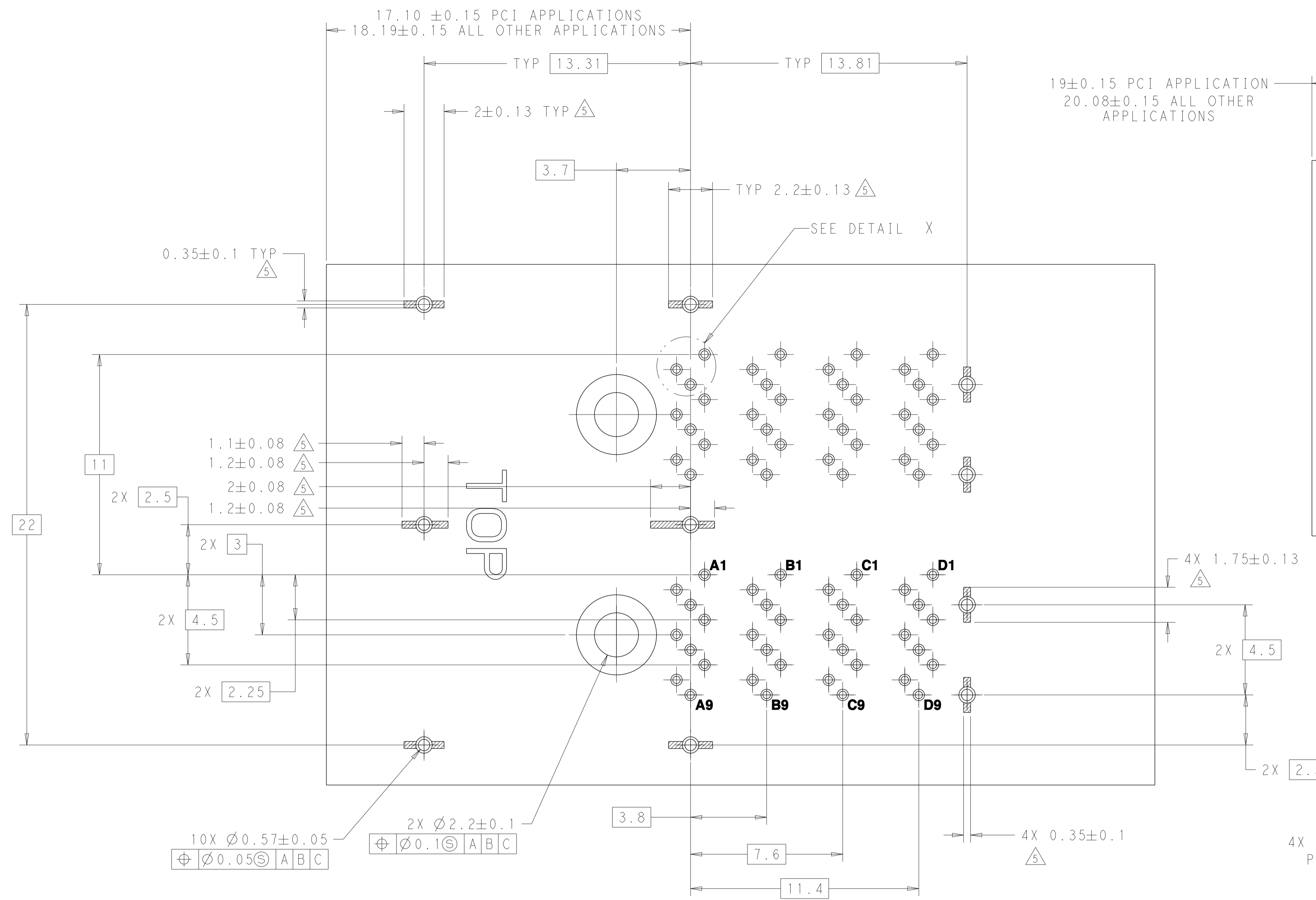
1. MATERIALS
 RECEPTACLE HOUSING, LCP, BLACK, UL94V-0 RATED
 SHIELD ASSY: NICKEL SILVER COPPER ALLOY
 CONTACTS: COPPER ALLOY
 EMI SPRING: COPPER ALLOY
 THREADED NUT: BRASS
 CHICKLETS: LCP, BLACK, UL 94V-0 RATED
 2. FINISH
 EMI SPRING: TIN PLATE OVER NICKEL PLATE
 NON-PLATED EDGES PERMISSABLE
 THREADED NUT: NICKEL PLATE
 3. CONTACT FINISH: CONFORMS TO THE REQUIREMENTS OF TE PRODUCT SPECIFICATION, 108-2462. BASED ON EIA/ECA-364-1000.01A. (CONTROLLED ENVIRONMENT APPLICATIONS) ON MATING END. TIN PLATED ON PCB TAIL
 4. THREAD LENGTH OF FASTENER = PCB THICKNESS + 1.45 MAX
- RECOMMENDED TRACE KEEP OUT ZONE



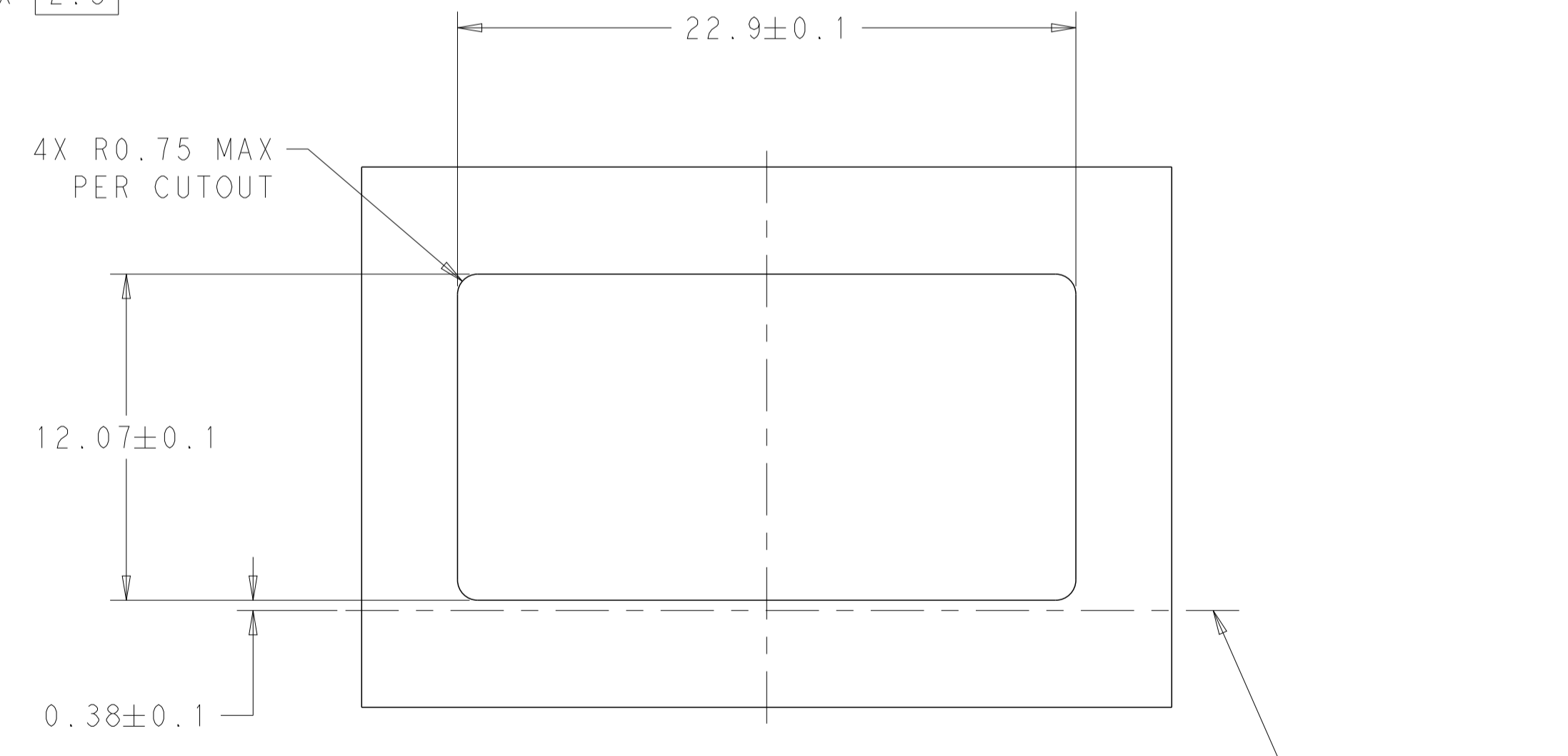
2214869-1
PART NUMBER

THIS DRAWING IS A CONTROLLED DOCUMENT.		DMN J. SECHRIST 26MAR2012	TE Connectivity	
DIMENSIONS: mm		CHK J. SECHRIST 26MAR2012	RECEPTACLE ASSEMBLY, MINI-SAS HD, 2X	
TOLERANCES UNLESS OTHERWISE SPECIFIED:		APVD -	NAME	
0 PLC ±		PRODUCT SPEC	108-2462	
1 PLC ±		APPLICATION SPEC	114-13316	
2 PLC ±		WEIGHT	A100779C=2214869	
3 PLC ±		Customer Drawing	SCALE 8:1 SHEET 1 OF 2 REV C	
4 PLC ±				
ANGLES ±				
FINISH				

LOC	DIST	REVISIONS			
P	LTN	DESCRIPTION	DATE	OWN	APVD
-	-	SEE SHEET 1	-	-	-

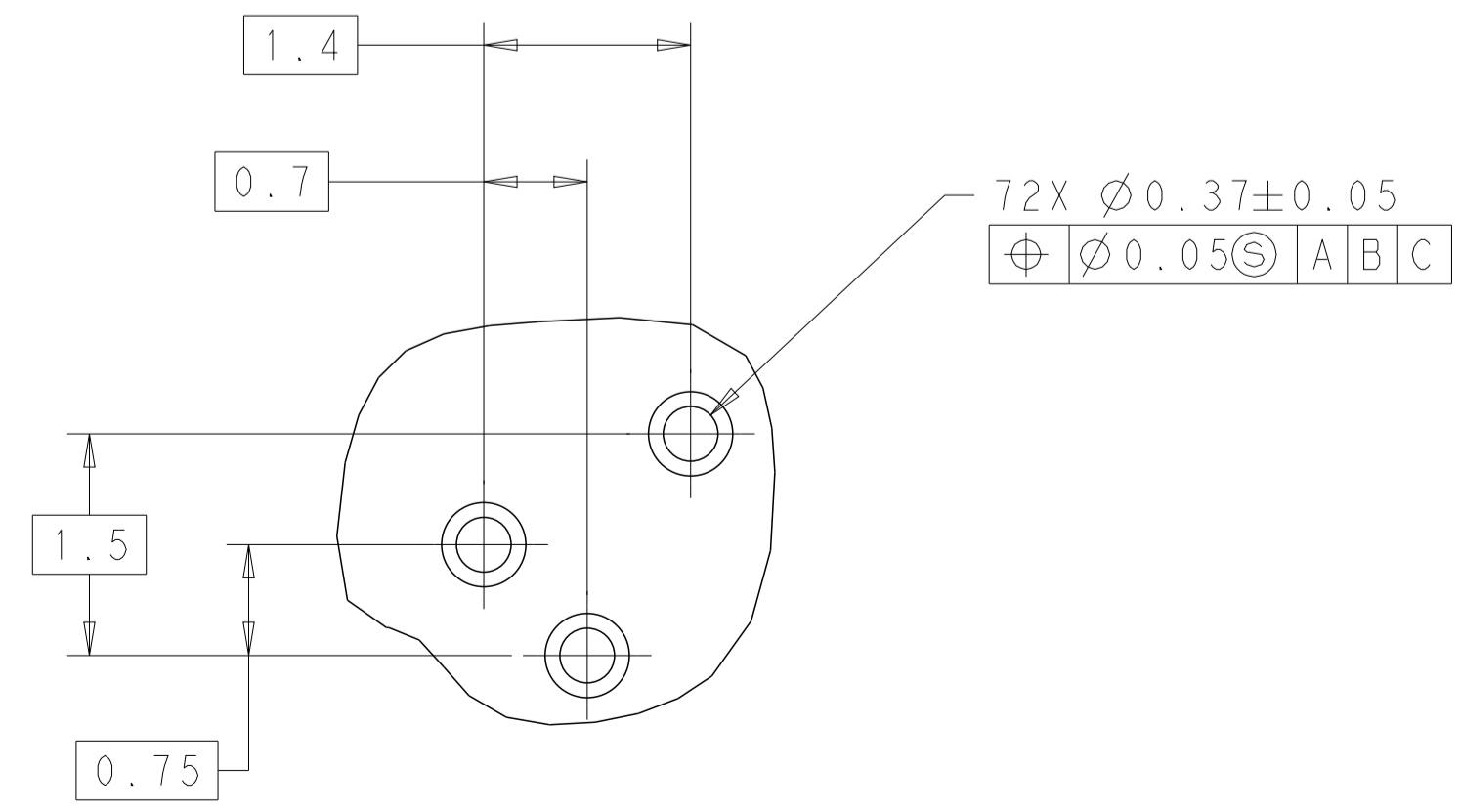
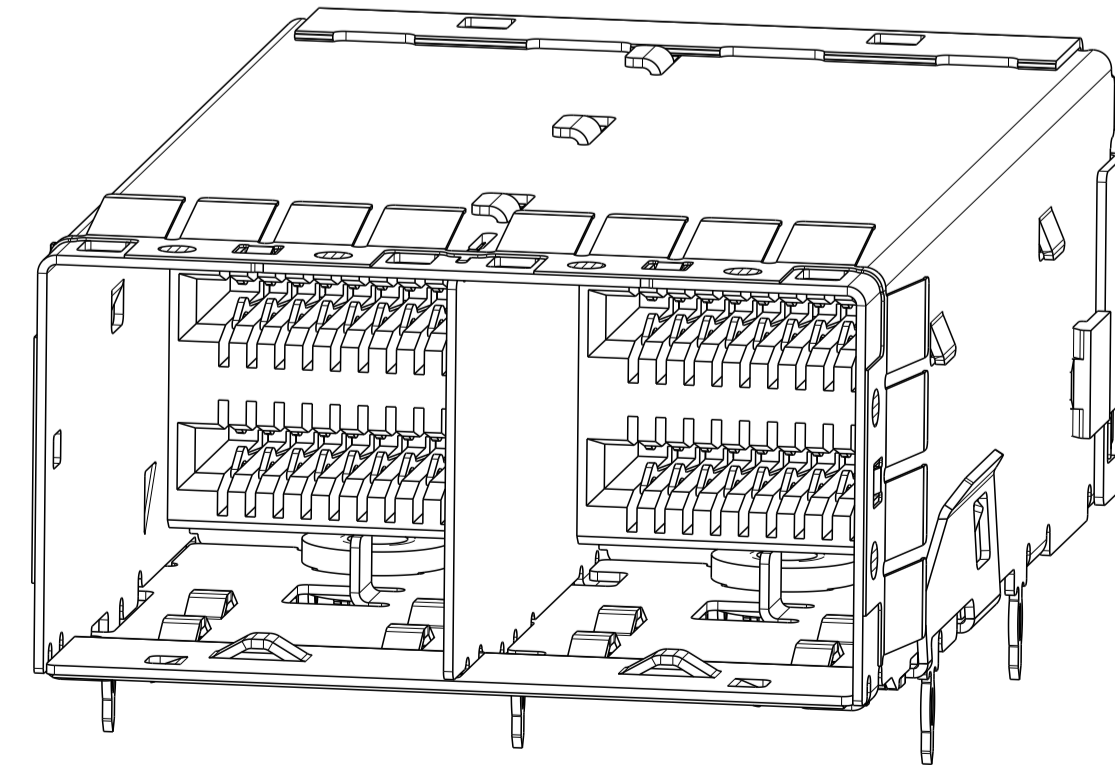


PANEL/PCB ASSEMBLY
SCALE=5:1



RECOMMENDED I/O PANEL CUTOUT
SCALE=5:1

RECOMMENDED PCB LAYOUT



DETAIL X
SCALE 20:1

THIS DRAWING IS A CONTROLLED DOCUMENT.		OWN: J. SECHRIST 26MAR2012	TE Connectivity
DIMENSIONS: mm		CHK: J. SECHRIST 26MAR2012	
TOLERANCES UNLESS OTHERWISE SPECIFIED:		APVD: -	NAME: RECEPTACLE ASSEMBLY, MINI-SAS HD, 2X
0 PLC	±	PRODUCT SPEC	SIZE: CAGE CODE DRAWING NO
1 PLC	±	108-2462	RESTRICTED TO
2 PLC	±	APPLICATION SPEC	A100779C=2214869
3 PLC	±	114-13316	SCALE: 8:1 SHEET 2 OF 2 REV C
4 PLC	±	WEIGHT	
ANGLES	±		
FINISH			
MATERIAL		Customer Drawing	