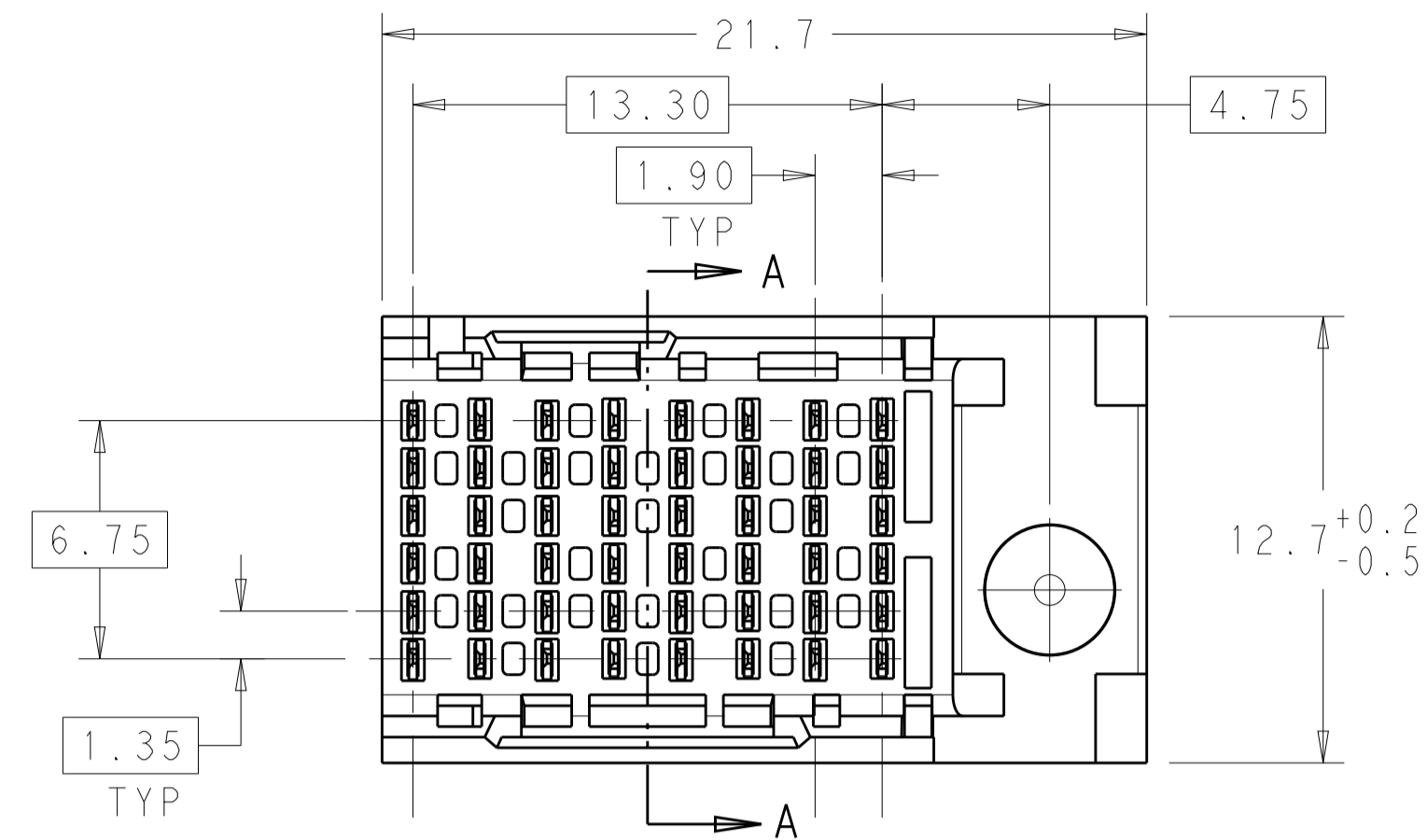
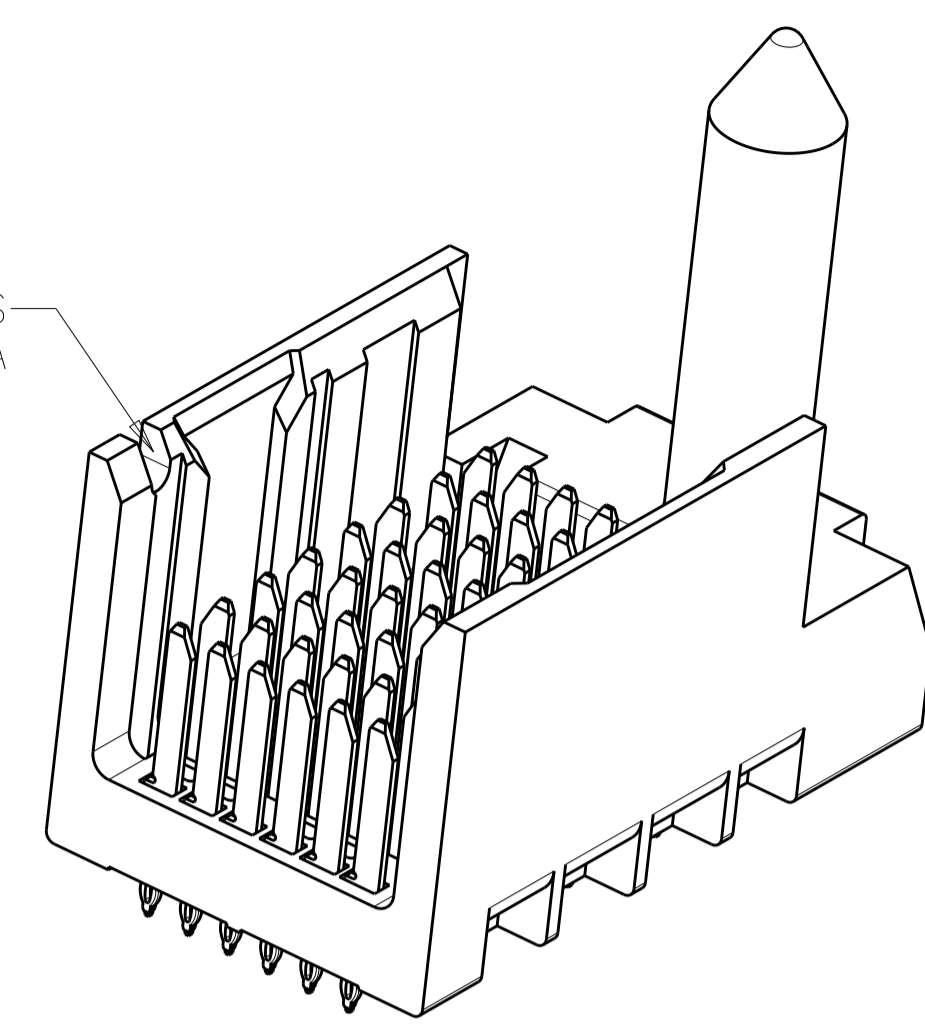


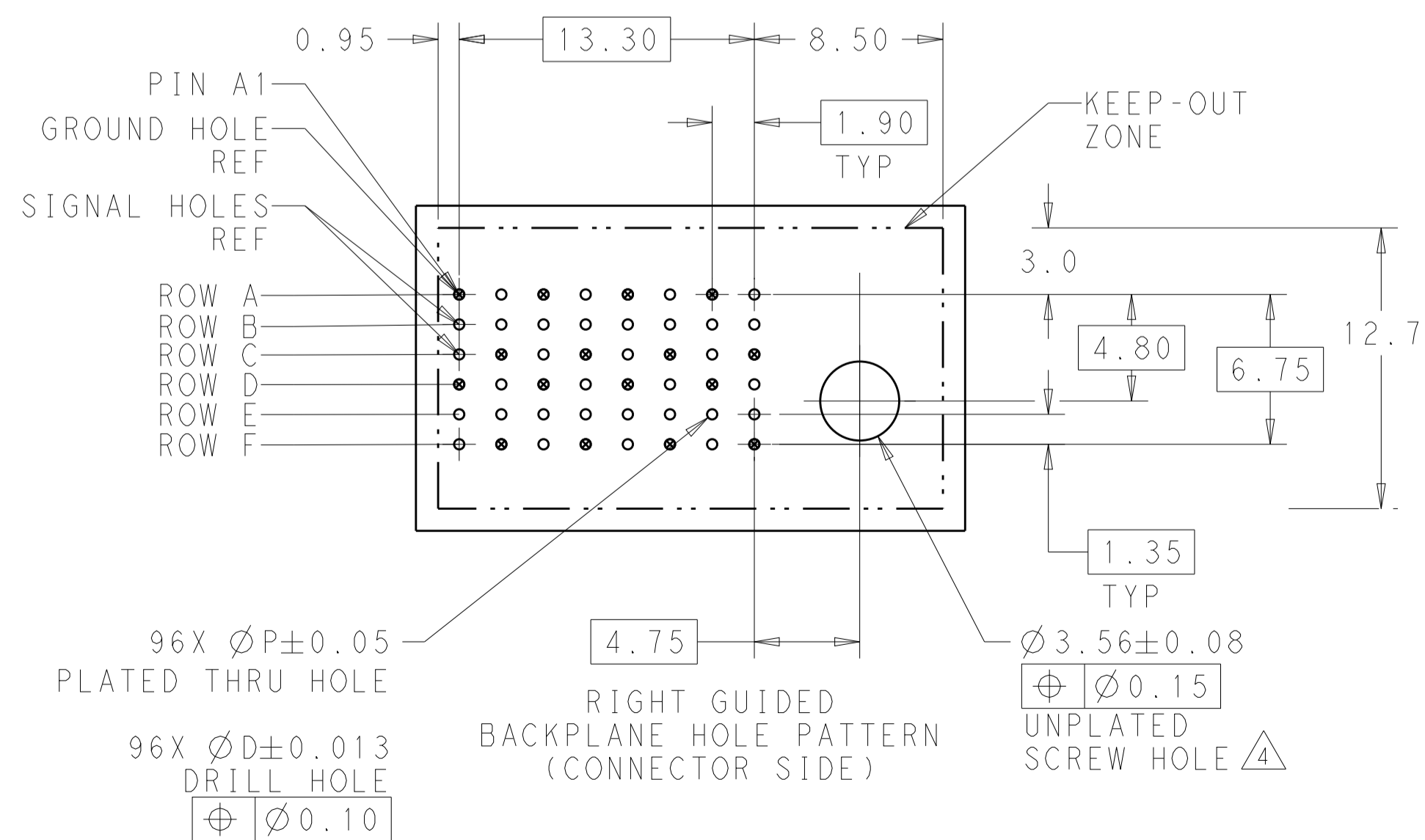
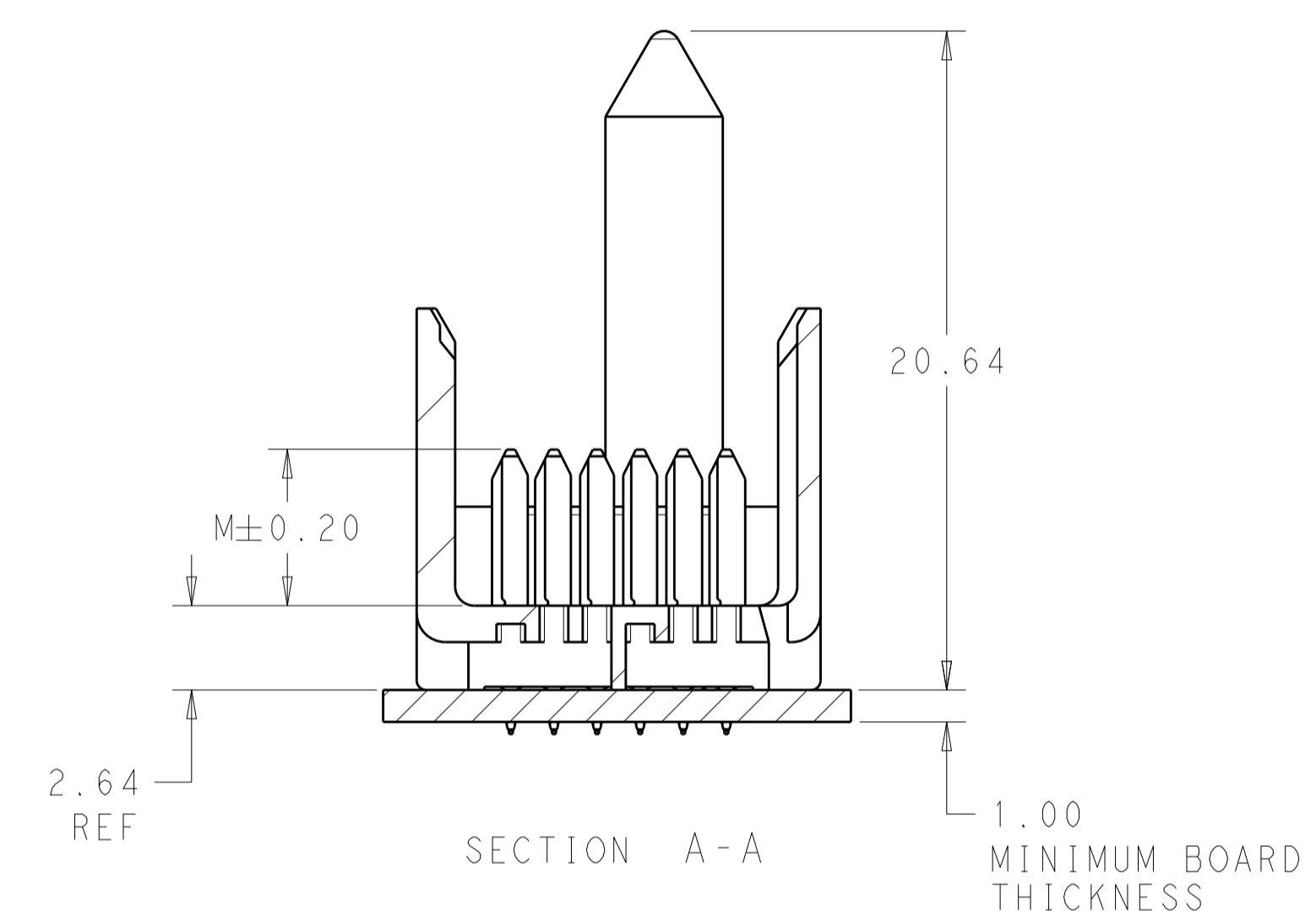
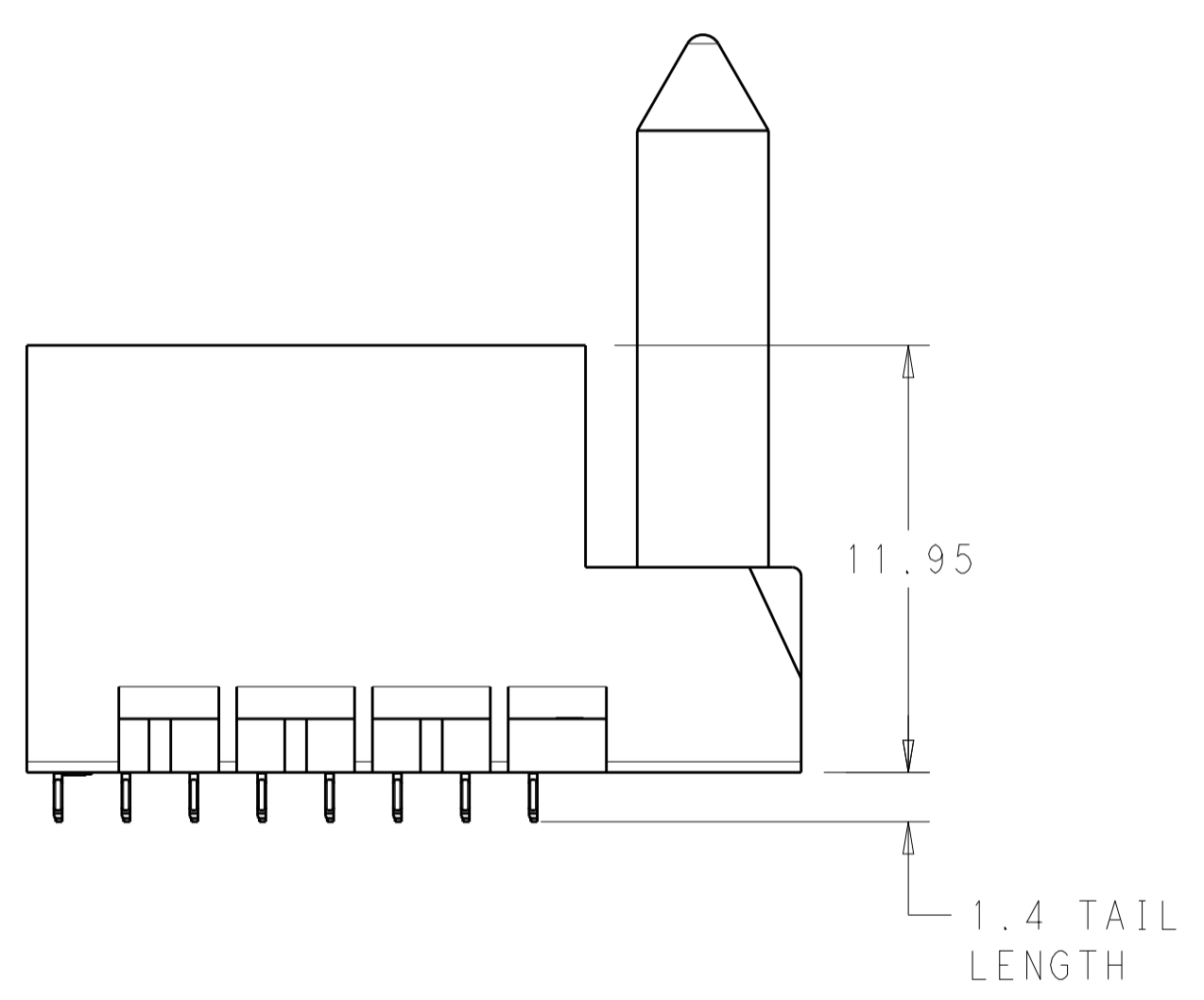
LOC		DIST		REVISIONS			
AD	00	P	LTN	DESCRIPTION	DATE	DWN	APVD
		A1		REVISED PER ECO-15-004792	31MAR2015	AP	DD



NOTCH DESIGNATES ROW A



- 1 MATERIAL:
HOUSING: LCP, GLASS FILLED, UL94V-0.
TERMINALS: HIGH PERFORMANCE COPPER ALLOY.
- 2 FINISH:
30μ" MIN GOLD IN CONTACT AREA. SELECTIVE TIN ON PCB TAILS, NICKEL OVERALL.
- 3. SCREWS PACKAGED IN END OF PACKAGING TUBE.
- 4 FOR GROUNDED GUIDE PIN USE $\varnothing 3.56 \pm 0.08$ PTH, $\varnothing 3.66$ DRILL, AND $\varnothing 6.5$ PAD.
- 5. KEYING PIN SHOWN IN POSITION A, SEE KEYING CHART ON SHEET 2 FOR OTHER POSITIONS.



REFER TO WWW.TE.COM FOR PRODUCT AVAILABILITY

0.55	0.46	5.5	2214502-6
0.55	0.46	4.9	2214502-5
0.55	0.46	4.5	2214502-4
0.48	0.39	5.5	2214502-3
0.48	0.39	4.9	2214502-2
0.48	0.39	4.5	2214502-1
D DRILL HOLE SIZE	P PLATED THROUGH HOLE SIZE	M POST LENGTH	PART NUMBER

THIS DRAWING IS A CONTROLLED DOCUMENT. DWG: AJITH PAI 16JUN2014, CHK: D. DIXON 16JUN2014, APVD: D. DIXON 16JUN2014

TE TE Connectivity

NAME: IMPACT, 85 OHM, STANDARD, 2 PAIR PLUS, 8 COLUMN HEADER, RIGHT GUIDED, OPEN ENDWALL, SIGNAL MODULE

SIZE: A1, CAGE CODE: 00779, DRAWING NO: 2214502, REV: A1

MATERIAL: SEE TABLE, FINISH: SEE TABLE, WEIGHT: -

CUSTOMER DRAWING, SCALE: 5:1, SHEET: 1 OF 1