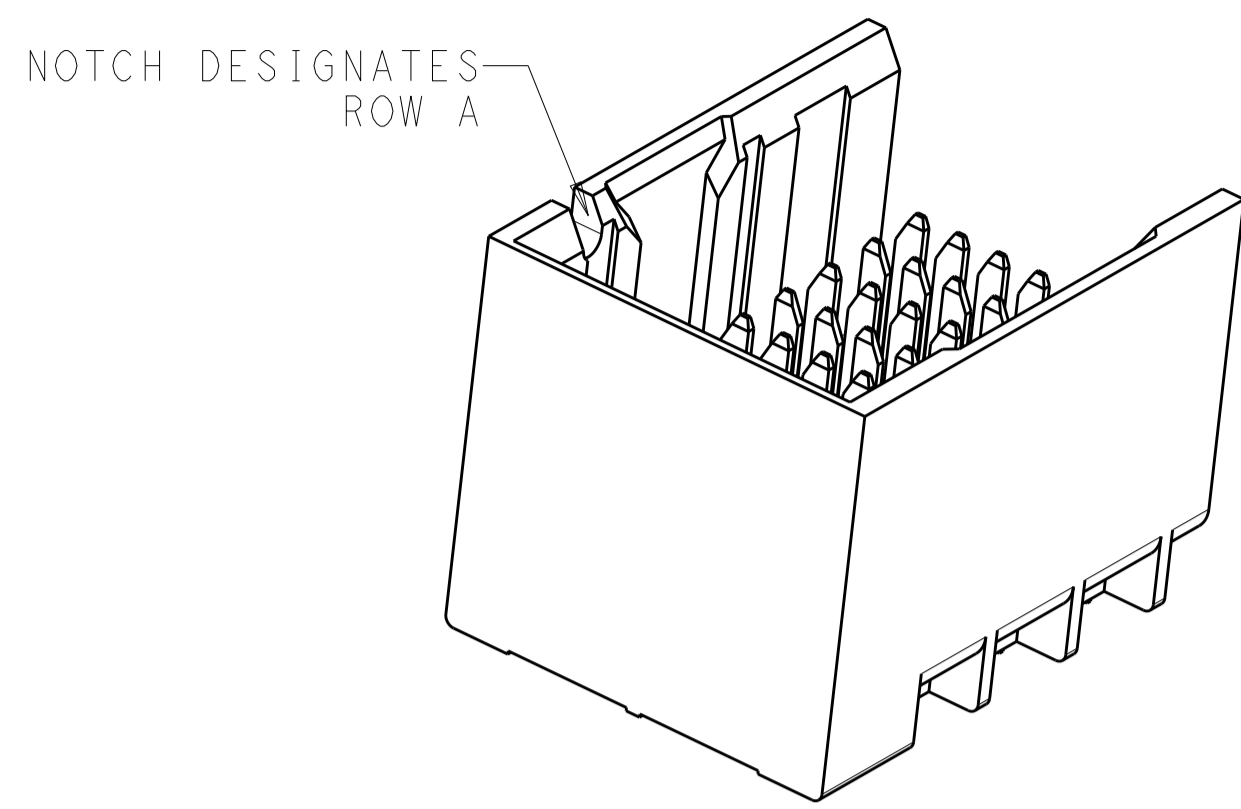
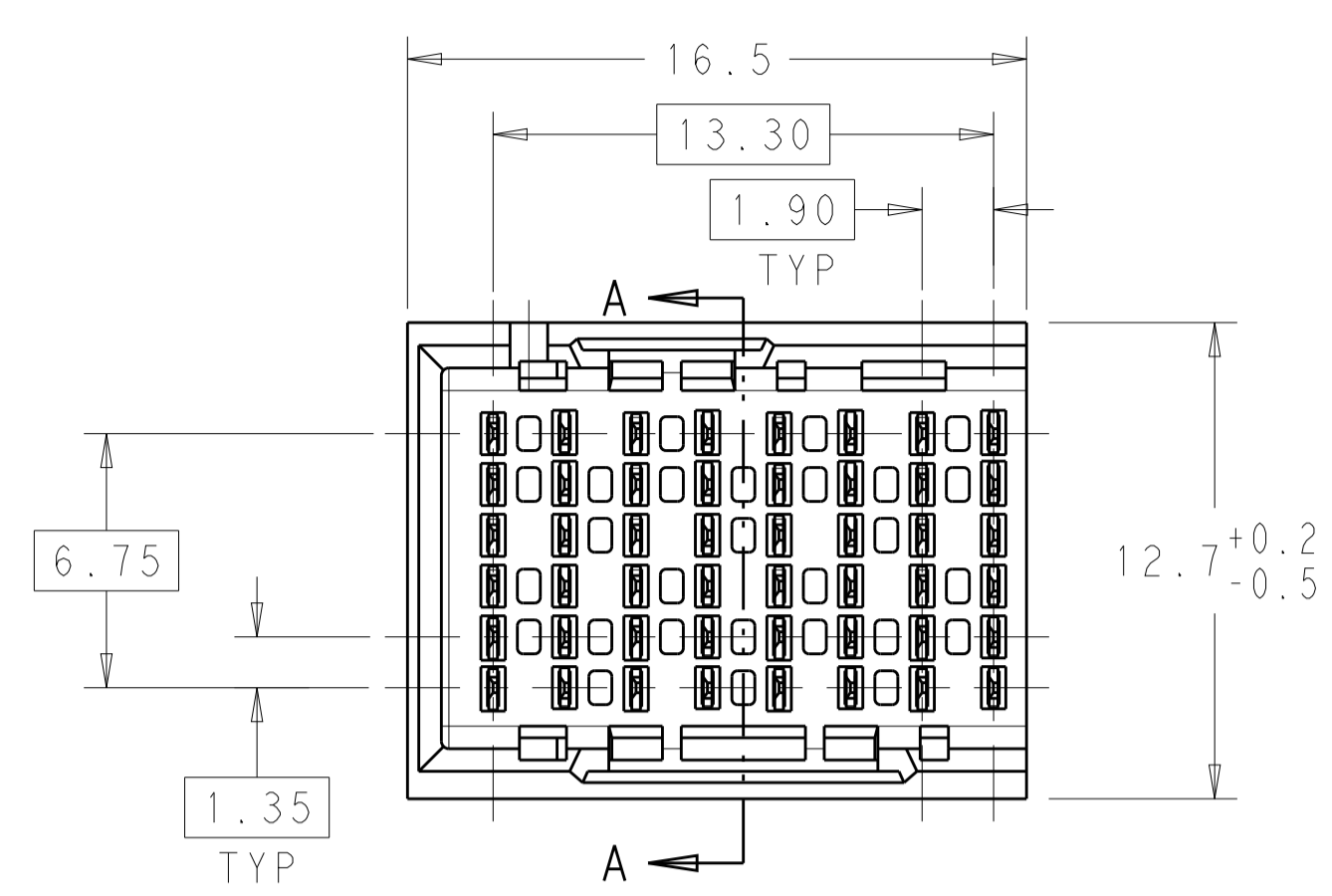
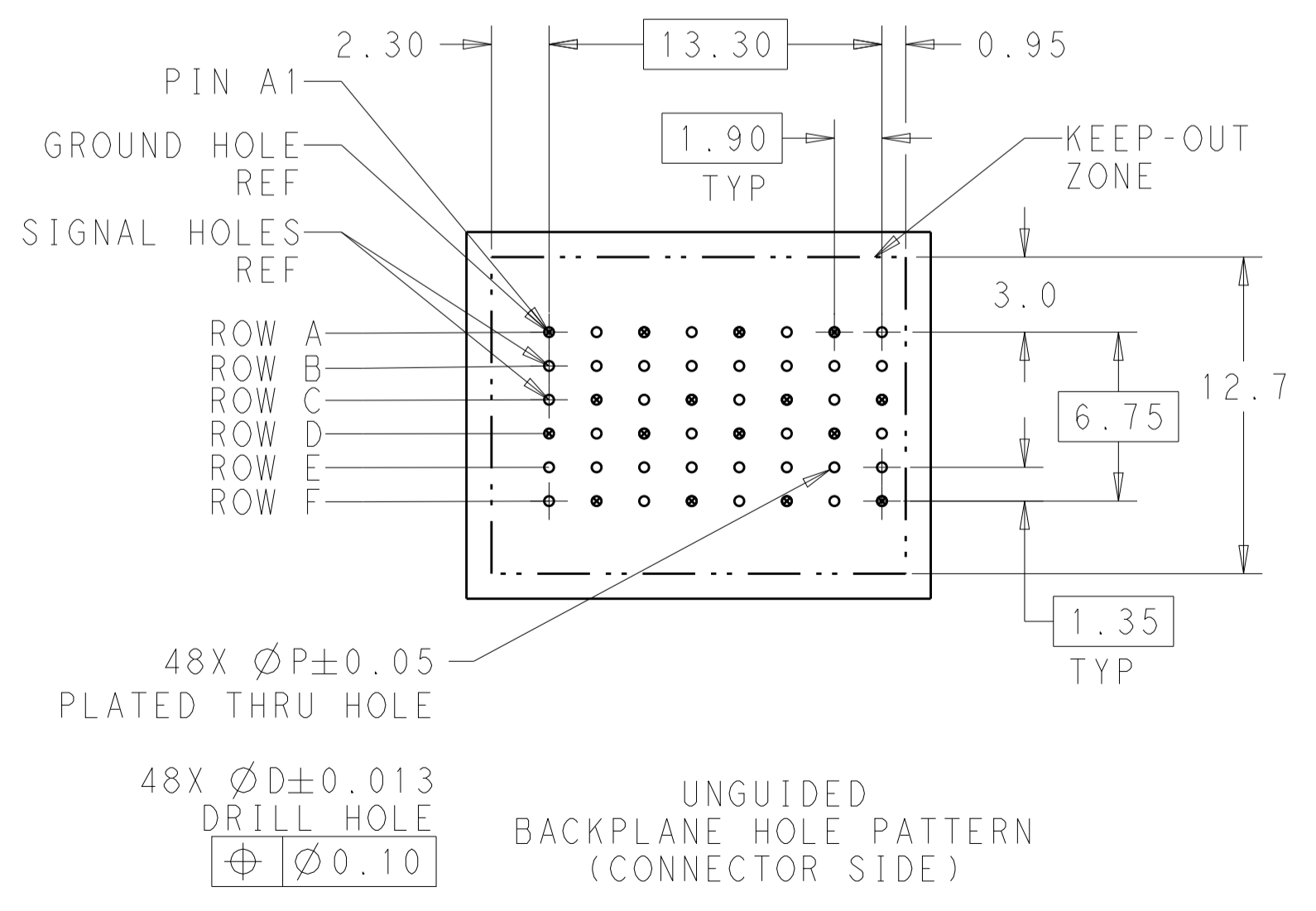
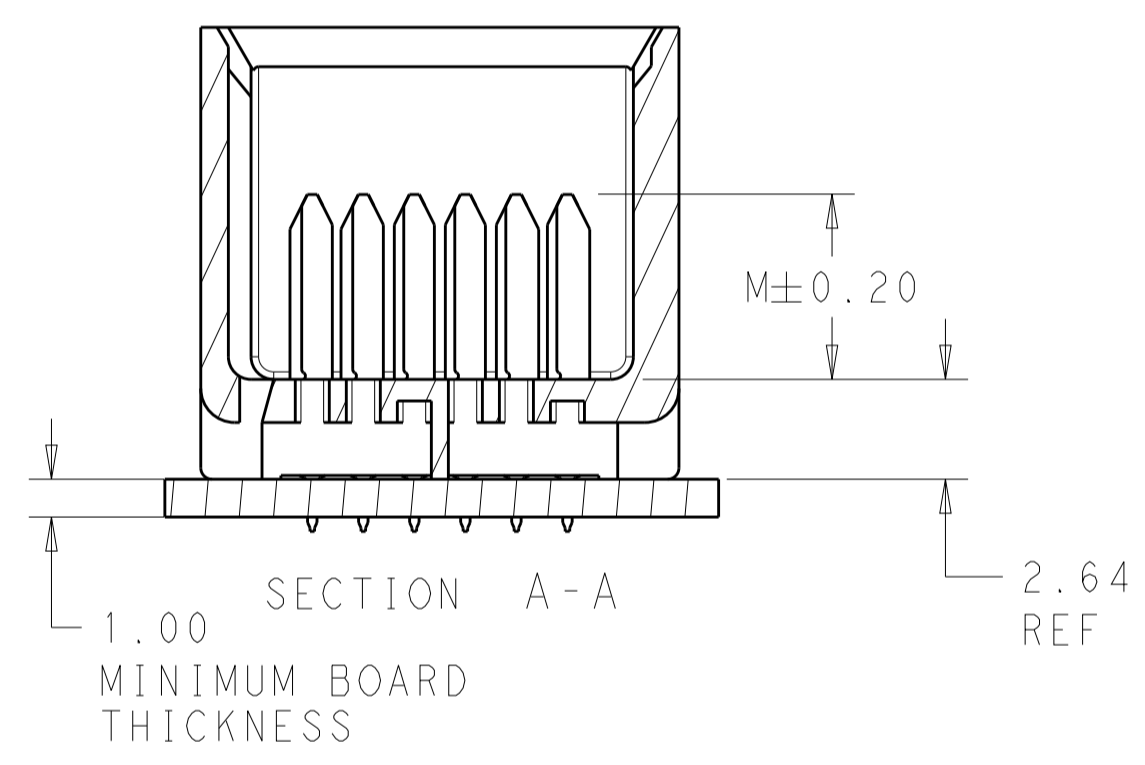
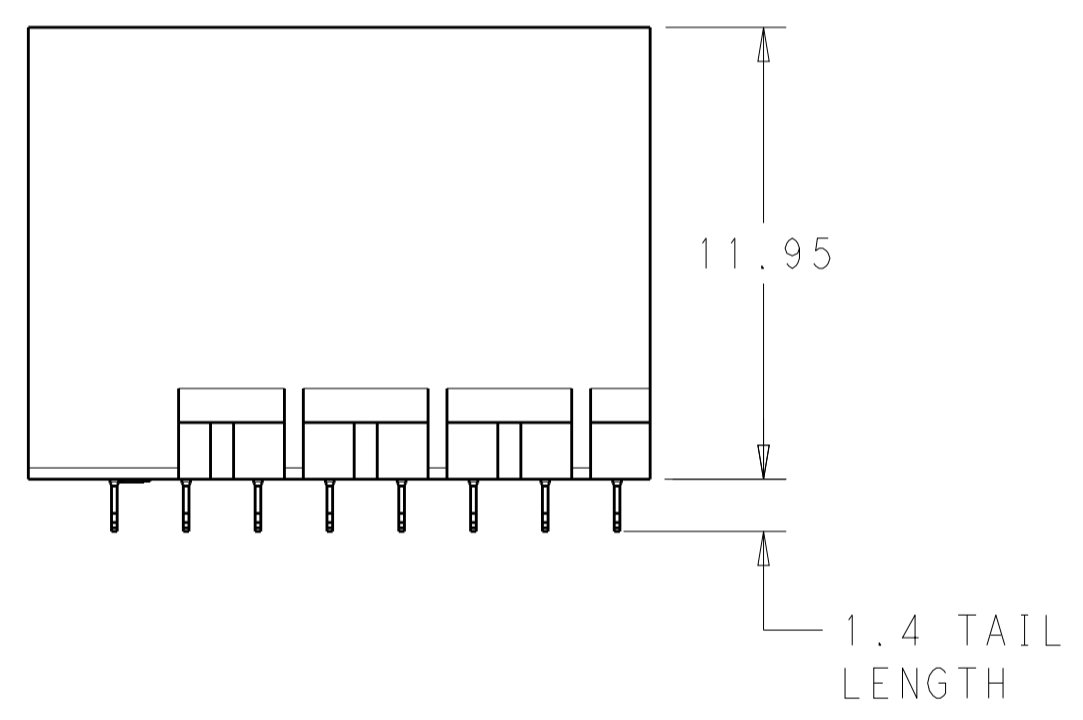


LOC		DIST		REVISIONS			
P	LTN	DESCRIPTION	DATE	DWN	APVD		
A1		REVISED PER ECO-15-004792	30MAR2015	AP	DD		



- ⚠ MATERIAL:  
HOUSING: LCP, GLASS FILLED, UL94V-0.  
TERMINALS: HIGH PERFORMANCE COPPER ALLOY.
- ⚠ FINISH:  
30μ" MIN GOLD IN CONTACT AREA. SELECTIVE TIN ON PCB TAILS, NICKEL OVERALL.
- 3. SCREWS PACKAGED IN END OF PACKAGING TUBE.
- ⚠ FOR GROUNDED GUIDE PIN USE  $\varnothing 3.56 \pm 0.08$  PTH,  $\varnothing 3.66$  DRILL, AND  $\varnothing 6.5$  PAD.
- 5. KEYING PIN SHOWN IN POSITION A, SEE KEYING CHART ON SHEET 2 FOR OTHER POSITIONS.



0.55	0.46	5.5	2214497-6
0.55	0.46	4.9	2214497-5
0.55	0.46	4.5	2214497-4
0.48	0.39	5.5	2214497-3
0.48	0.39	4.9	2214497-2
0.48	0.39	4.5	2214497-1
D DRILL HOLE SIZE	P PLATED THROUGH HOLE SIZE	M POST LENGTH	PART NUMBER

REFER TO WWW.TE.COM FOR PRODUCT AVAILABILITY

THIS DRAWING IS A CONTROLLED DOCUMENT. DWN: AJITH PAI 13JUN2014, CHK: D. DIXON 13JUN2014, APVD: D. DIXON 13JUN2014.

**TE** TE Connectivity

NAME: IMPACT, 85 OHM, STANDARD, 2 PAIR PLUS, 8 COLUMN HEADER, UNGUIDED, LEFT ENDWALL, SIGNAL MODULE

SIZE: A1, CAGE CODE: 00779, DRAWING NO: 2214497, WEIGHT: -

MATERIAL: SEE TABLE. FINISH: SEE TABLE.

CUSTOMER DRAWING. SCALE: 5:1. SHEET 1 OF 1. REV: A1