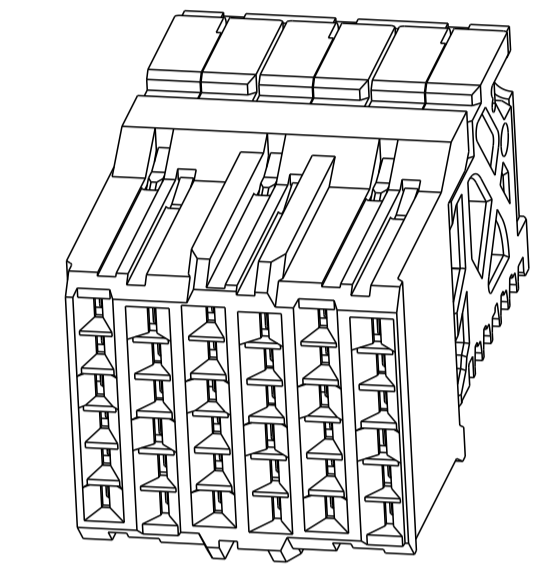
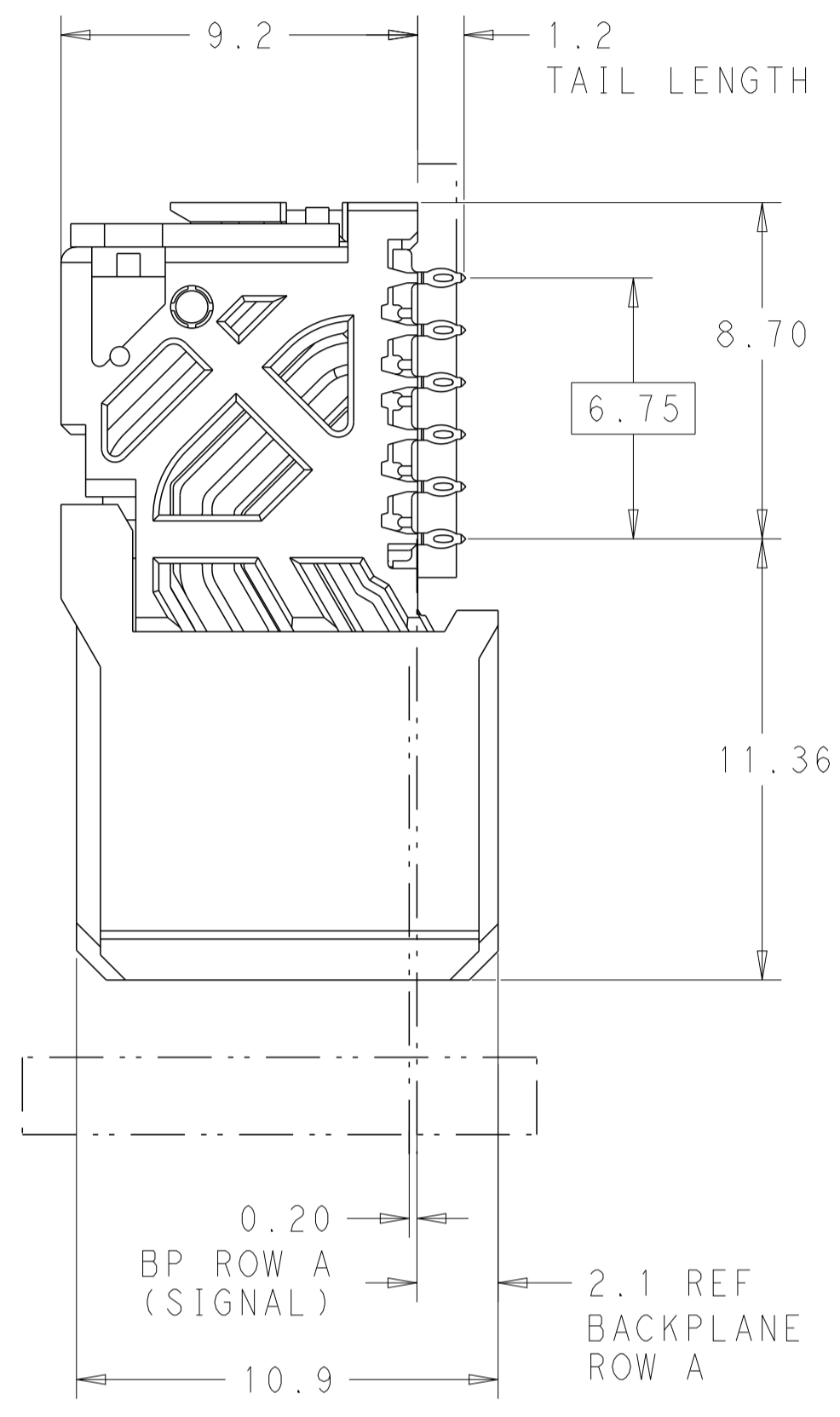
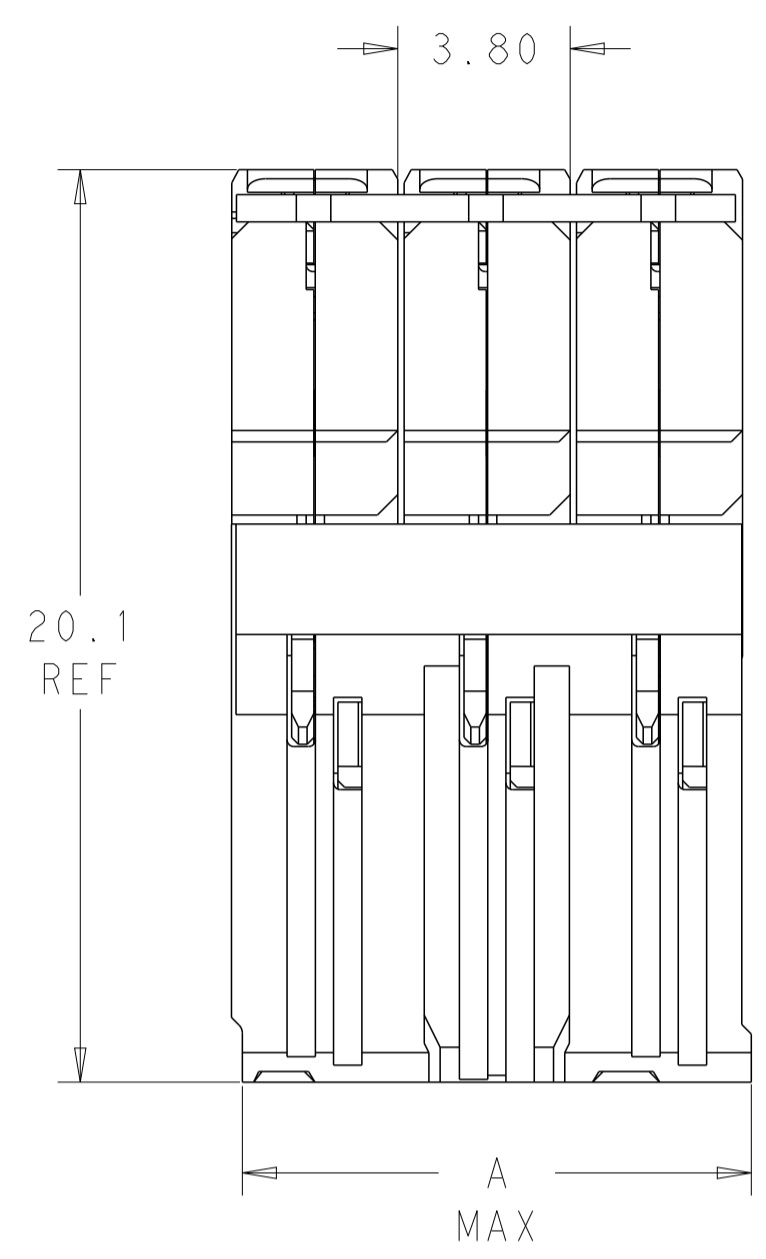


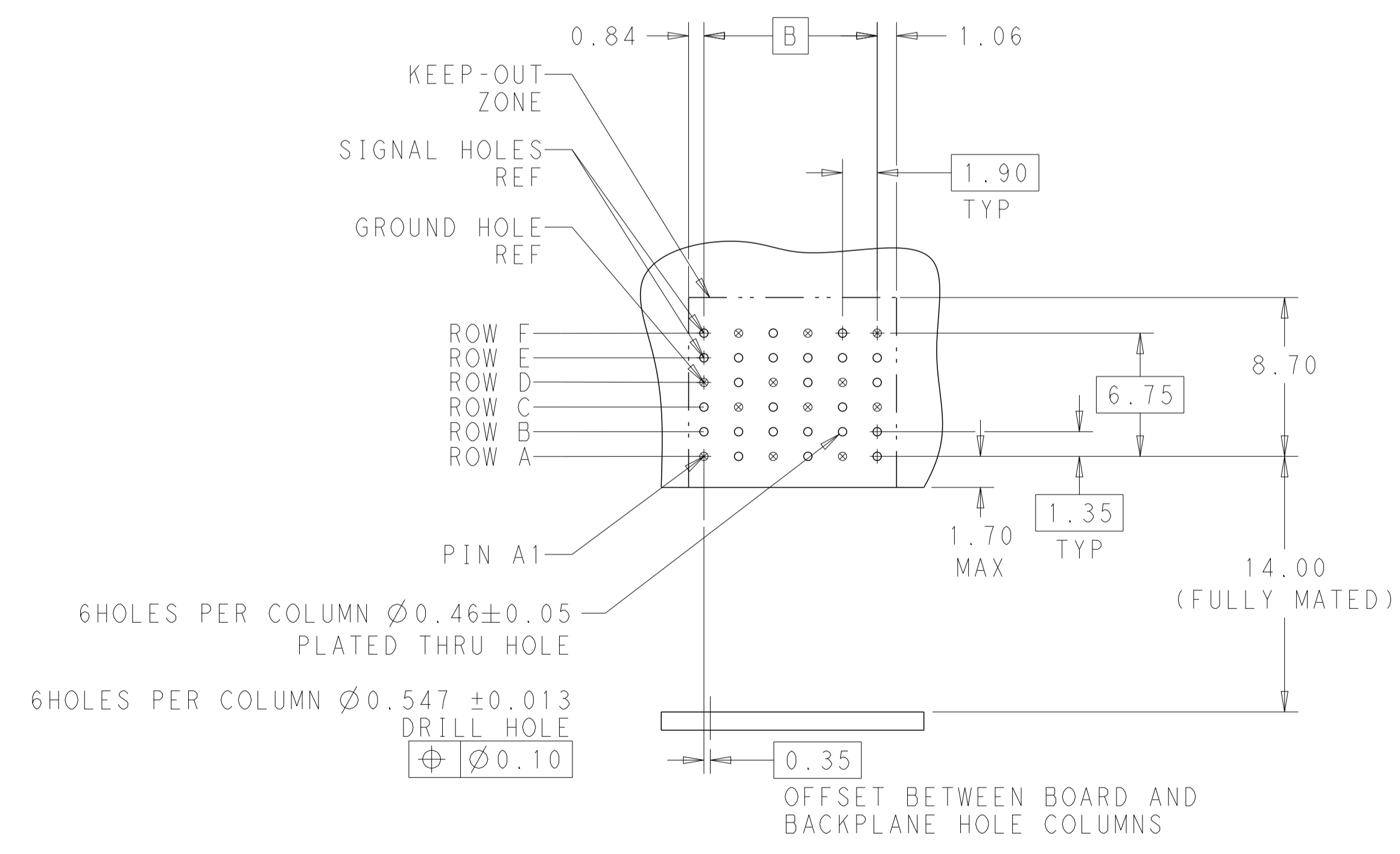
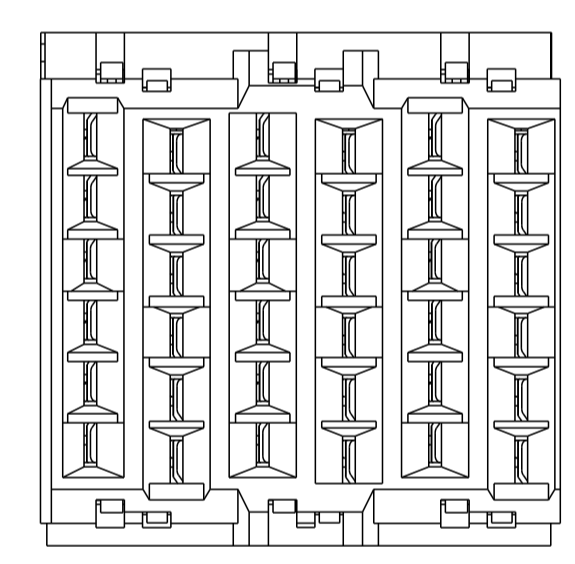
LOC		DIST		REVISIONS			
AD	00	P	LTH	DESCRIPTION	DATE	DWN	APVD
		2		UPDATED PCB LAYOUT	17DEC2012	KH	DD

△ MATERIAL:
 HOUSING: LCP, GLASS FILLED, UL94V-0.
 TERMINALS: HIGH PERFORMANCE COPPER ALLOY.

2. FINISH:
 30μ" SELECTIVE GOLD IN CONTACT AREA. SELECTIVE TIN
 ON PCB TAILS, NICKEL OVERALL.



SCALE 4:1



RECOMMENDED PCB LAYOUT
 MIN BOARD THICKNESS 1.6

REFER TO WWW.TE.COM
 FOR PRODUCT AVAILABILITY

36.10	45.45	20	2214478-8
32.30	41.65	18	2214478-7
28.50	37.85	16	2214478-6
24.70	34.05	14	2214478-5
20.90	30.25	12	2214478-4
17.10	26.45	10	2214478-3
13.30	22.65	8	2214478-2
9.50	18.85	6	2214478-1
B	A	COLUMN SIZE	PART NUMBER (SEE KEYING TABLE FOR 'X')

DESIGN APPROVED THIS PRINT IS
PRELIMINARY
 TO FIRST PIECE APPROVAL
 CONTACT PRODUCT ENGINEERING
 BEFORE USING THIS PRINT

DIMENSIONS:		TOLERANCES UNLESS OTHERWISE SPECIFIED:		MATERIAL:		FINISH:		WEIGHT:		RESTRICTED TO:	
mm		0 PLC	±	0.13							
		1 PLC	±0.2								
		2 PLC	±0.13								
		3 PLC	±								
		4 PLC	±								
		ANGLES	±								
		SEE TABLE									