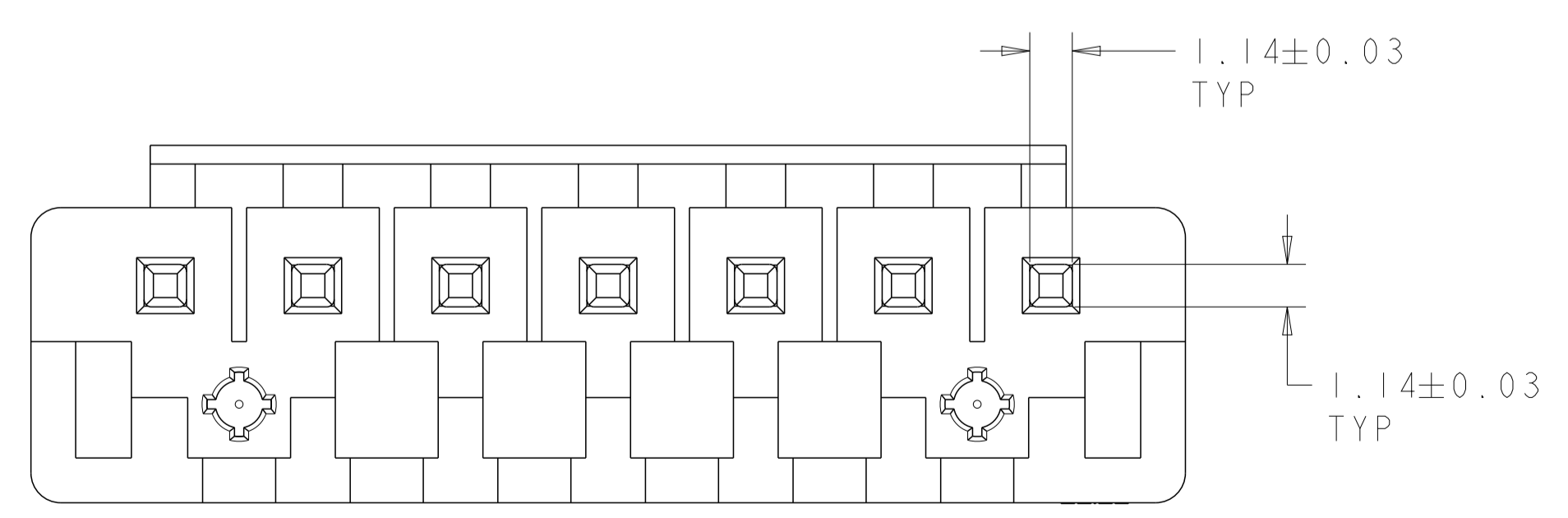
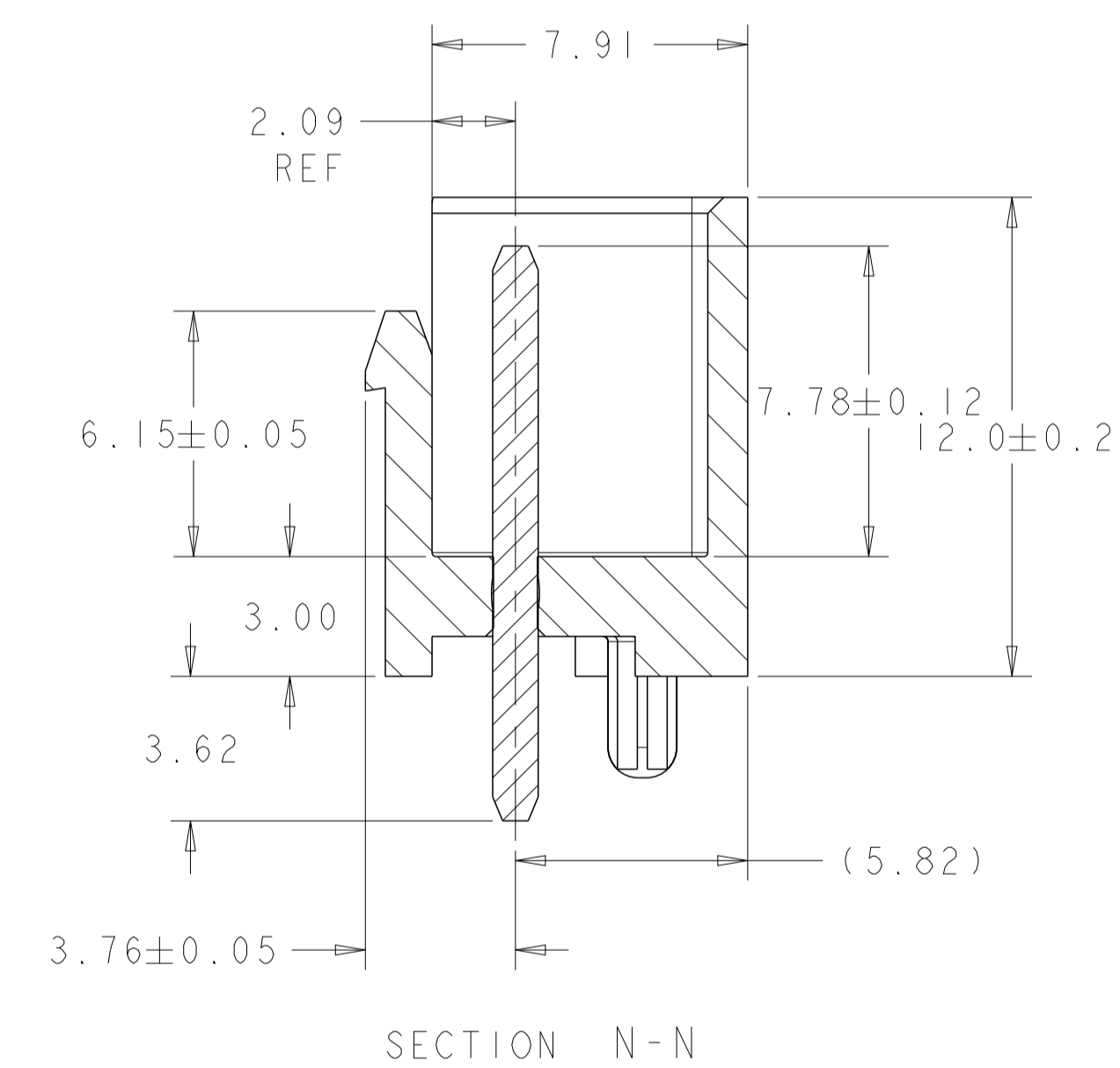
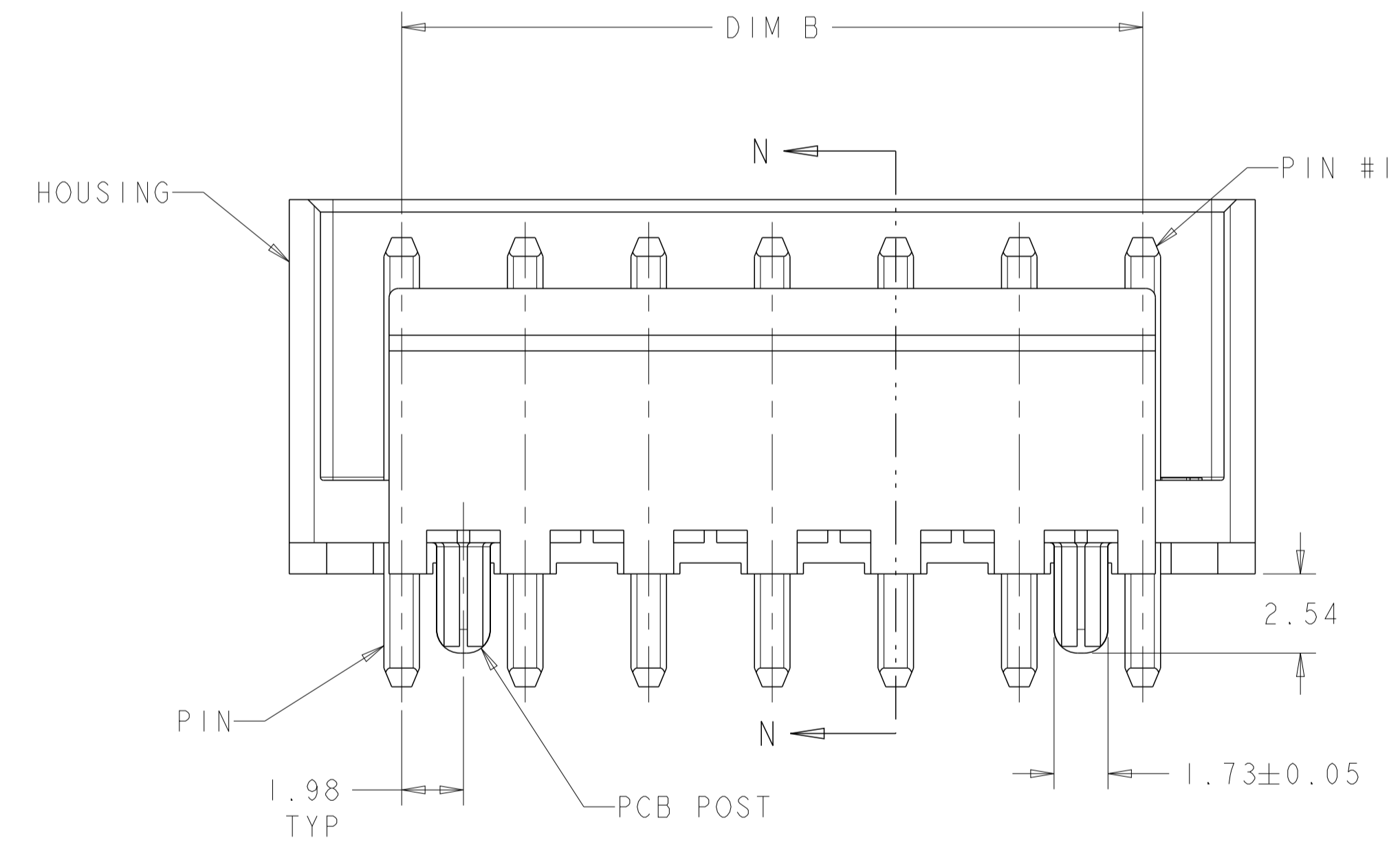
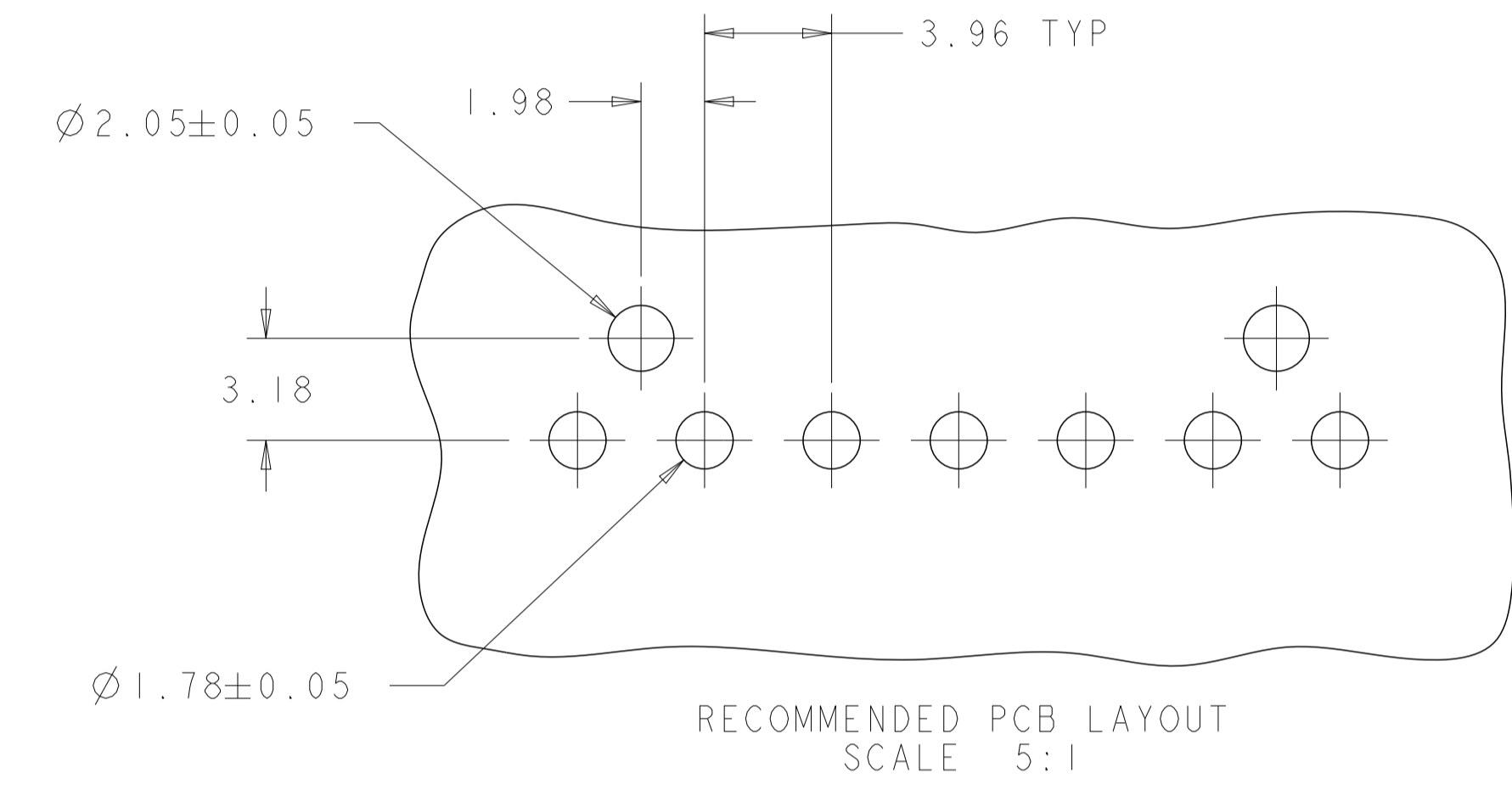
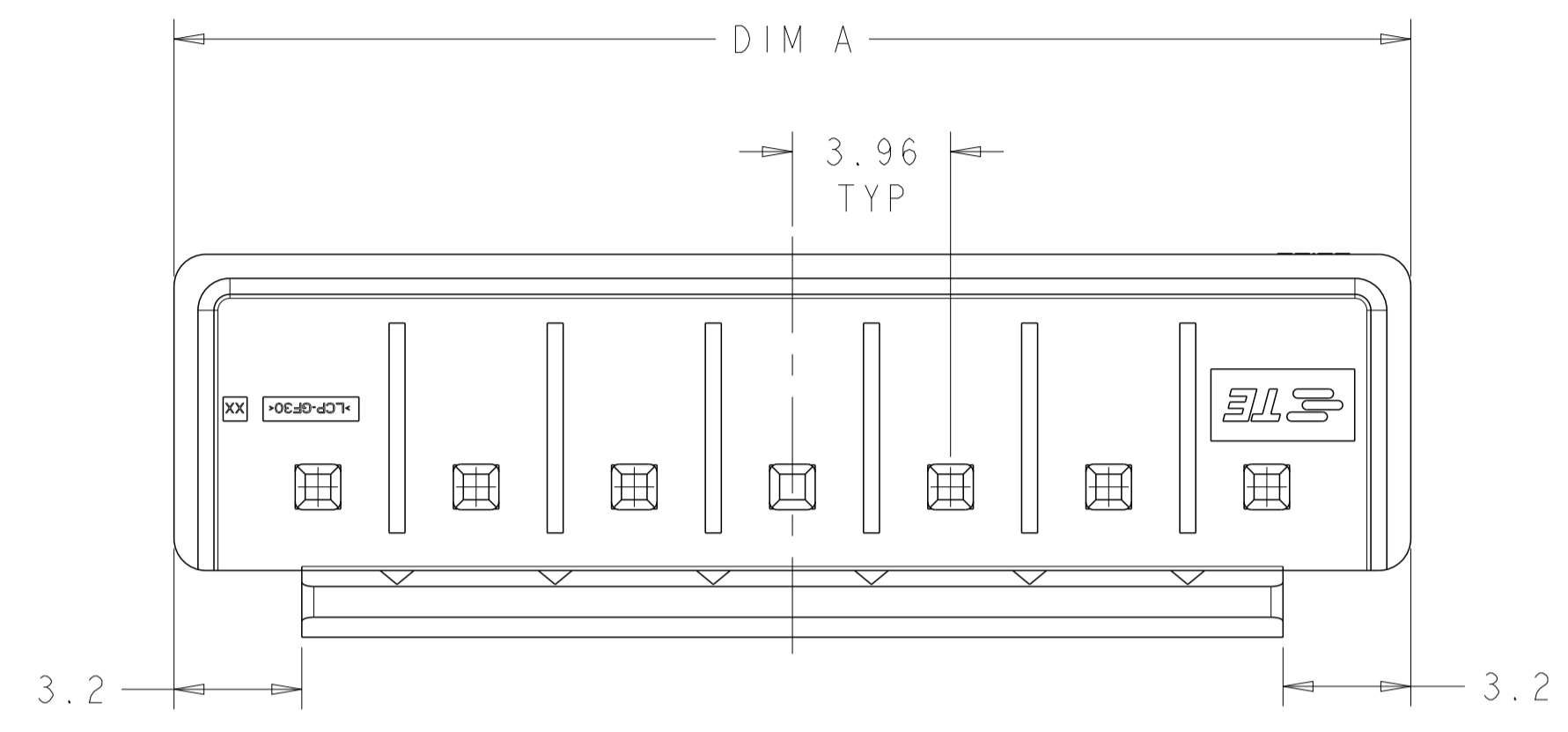


LOC		DIST		REVISIONS			
P	LTN	DESCRIPTION	DATE	DWN	APVD		
A		REVISED PER ECR-17-010746	02AUG2017	RS	JL		

NOTES:

- 1 MATERIAL:
HOUSING: HIGH TEMP THERMOPLASTIC
PIN: COPPER ALLOY
- 2 FINISH: PIN, 1.0µ MIN TIN OVER 0.8 MIN NICKEL.
- 3. NOTE DELETED.



DIM B	DIM A	POS	ASSEMBLY PART NUMBERS
27.72	34.93	8	2213738-8
23.76	30.97	7	2213738-7
19.80	27.01	6	2213738-6
15.84	23.05	5	2213738-5
11.88	19.09	4	2213738-4
7.92	15.13	3	2213738-3
3.96	11.17	2	2213738-2

THIS DRAWING IS A CONTROLLED DOCUMENT.

DIMENSIONS: mm

TOLERANCES UNLESS OTHERWISE SPECIFIED:

0 PLC	±0.2
1 PLC	±0.15
2 PLC	±0.1
3 PLC	±0.05
4 PLC	±0.02
ANGLES	±0.5
FINISH	±0.05

MATERIAL:

FINISH:

THIS DRAWING IS A CONTROLLED DOCUMENT. DWN: J. SHAFFER 01OCT2015
 CHK: M. MOSTOLLER 01OCT2015
 APVD: M. MOSTOLLER 01OCT2015
 NAME: SHROUDED HEADER ASSEMBLY, SINGLE LATCH, HIGH TEMP, 3.96mm PITCH, ECONOMY POWER (EP)
 SIZE: A1 00779 C=2213738
 WEIGHT: -
 CUSTOMER DRAWING

TE Connectivity

SCALE 4:1 SHEET 1 OF 1 REV A