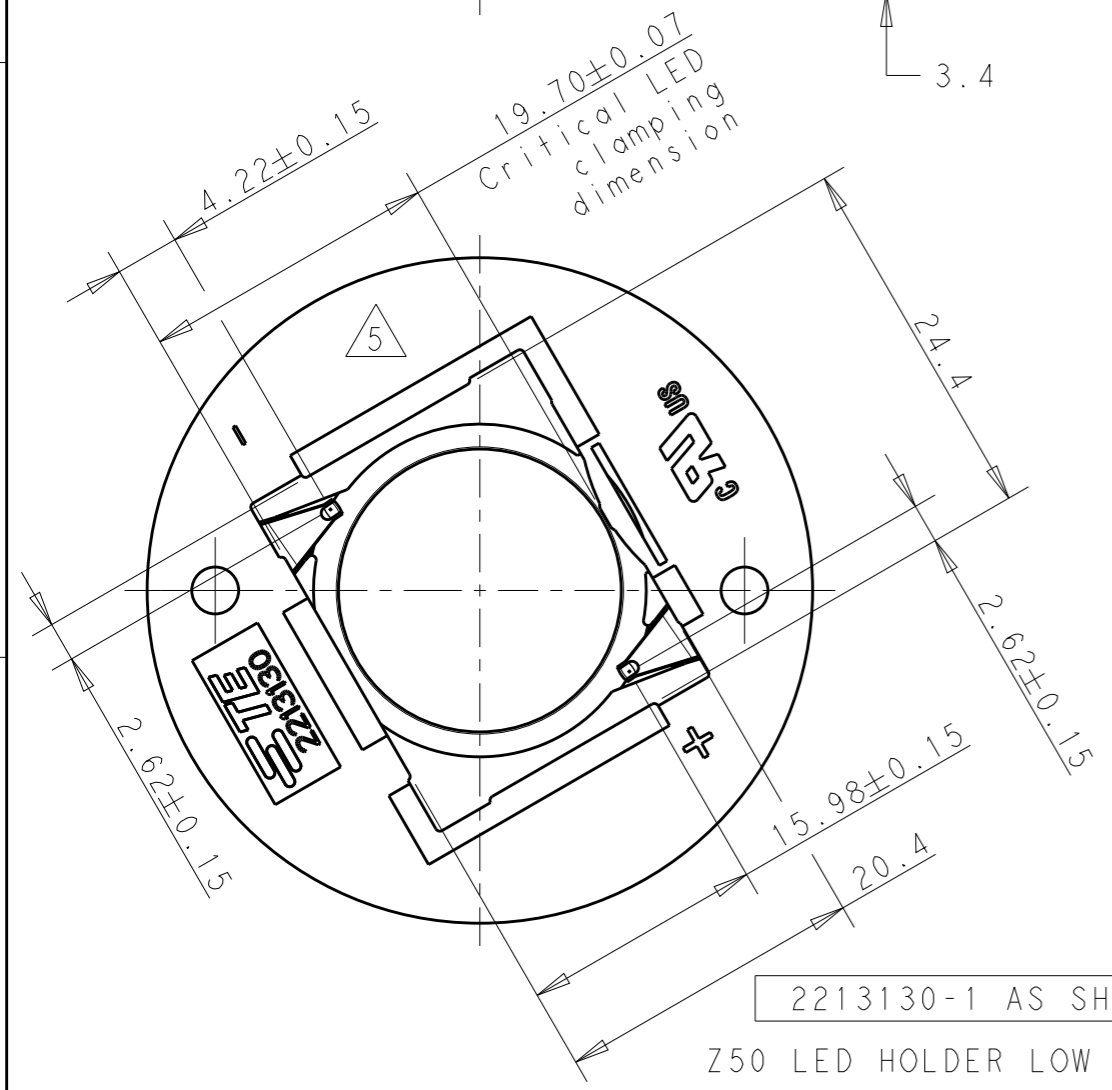
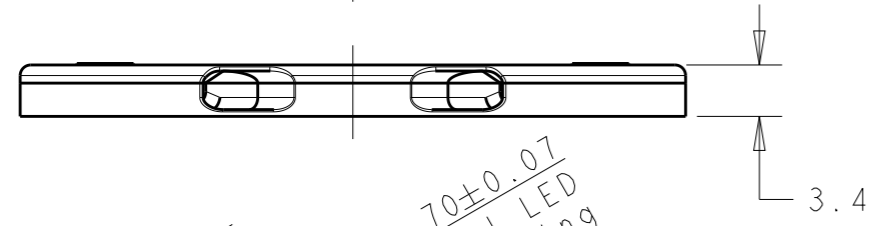
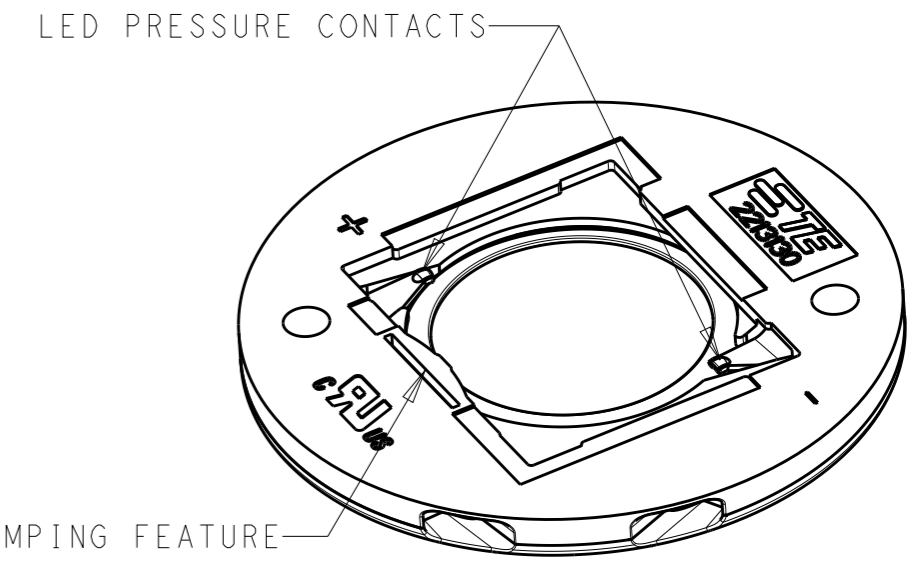
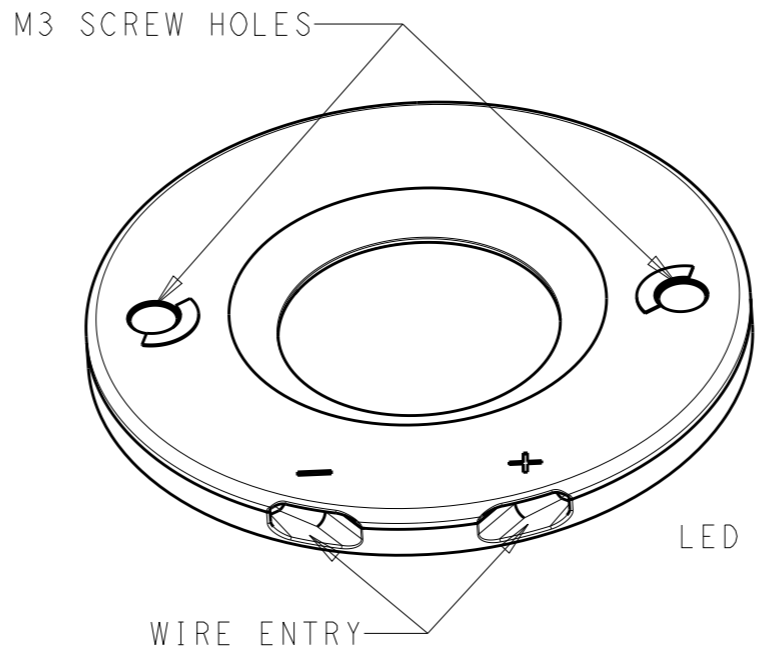
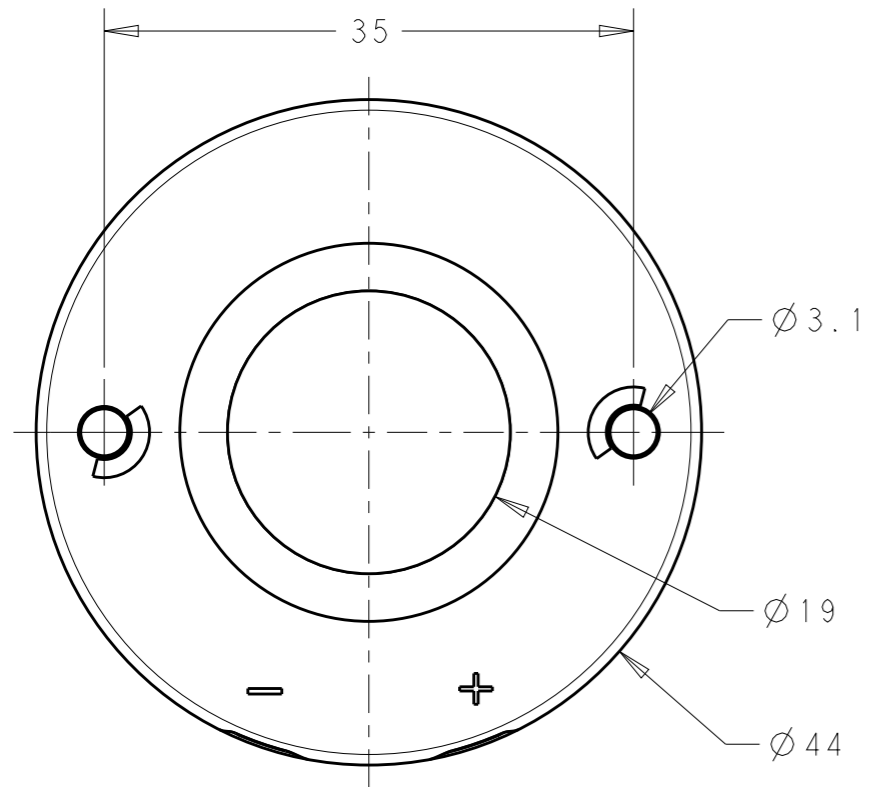


THIS DRAWING IS UNPUBLISHED. RELEASED FOR PUBLICATION 20
 © COPYRIGHT 20 BY - ALL RIGHTS RESERVED.

REVISIONS					
P	LTR	DESCRIPTION	DATE	DWN	APVD
C1		ECR-16-001206	27JAN2016	KR	MvE
D		ECR-16-003236	02MAR2016	KR	MvE
E		ADDED RELEASED LED	03FEB2017	KR	MvE
F		REVISED PER ECR-17-005513	03APR2017	SK	MvE



LED CLAMPING FEATURE

NOTES:

- MATERIALS:
HOUSING: GLASS FILLED PBT, HALOGEN FREE FLAME RETARDANT
COLOR: NATURAL/WHITE
CONTACTS: SILVER PLATED COPPER ALLOY
- FOR SOLID AND STANDARD WIRE AWG 22-18
- COMPLIES WITH DIRECTIVE 2002/95/EC (ROHS)
- M3 SCREW TO BE USED FOR MOUNTING
- DATE CODE YY-WW-D ANY WHERE EXCEPT OVER LOGO OR +/- SIGN.

PART NO	DESCRIPTION	PACKAGING
2-2213130-1	Z50 LED HOLDER LOW PROFILE 2024	2x10 PIECES IN TRAY AND BOX 25 BOXES IN SHIPPING BOX
1-2213130-2	Z50 LED HOLDER STANDARD PROFILE 2024	2x10 PIECES IN TRAY AND BOX 25 BOXES IN SHIPPING BOX
1-2213130-1	Z50 LED HOLDER LOW PROFILE 2024	2x10 PIECES IN TRAY AND BOX 25 BOXES IN SHIPPING BOX
2213130-2	Z50 LED HOLDER STANDARD PROFILE 2024	5x4 PIECES IN TRAY 25 TRAYS IN SHIPPING BOX
2213130-1	Z50 LED HOLDER LOW PROFILE 2024	5x4 PIECES IN TRAY 35 TRAYS IN SHIPPING BOX

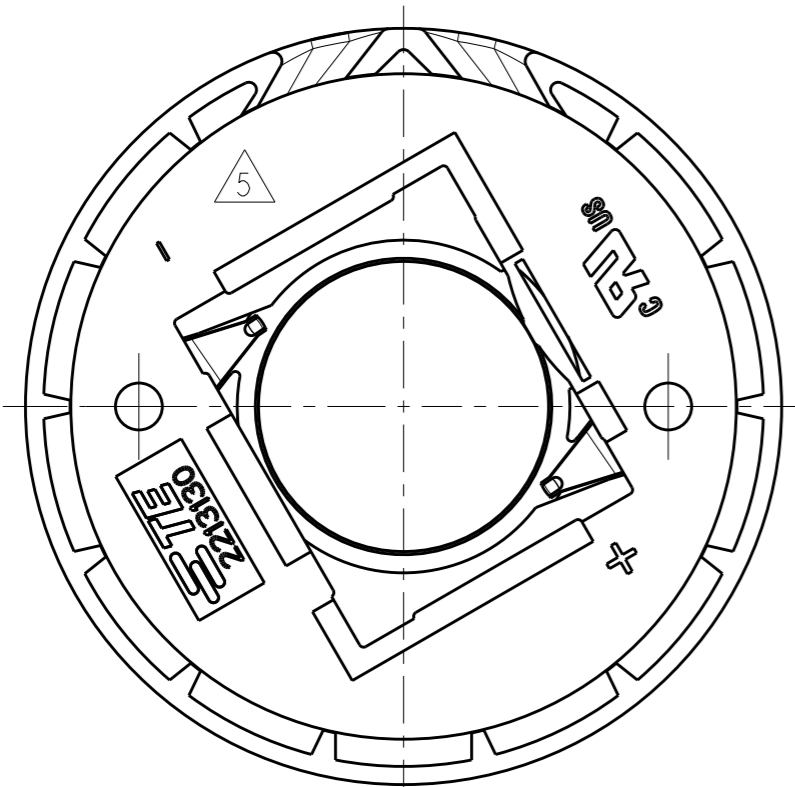
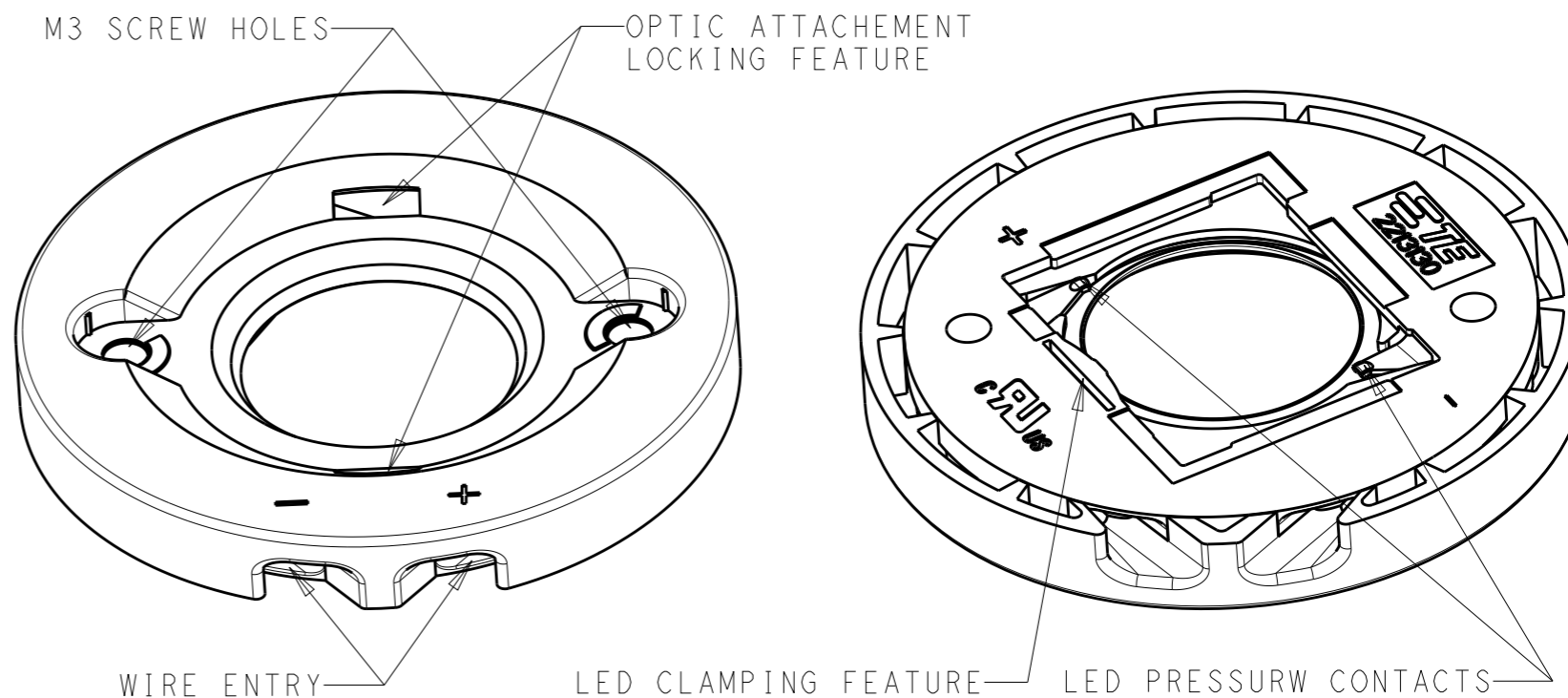
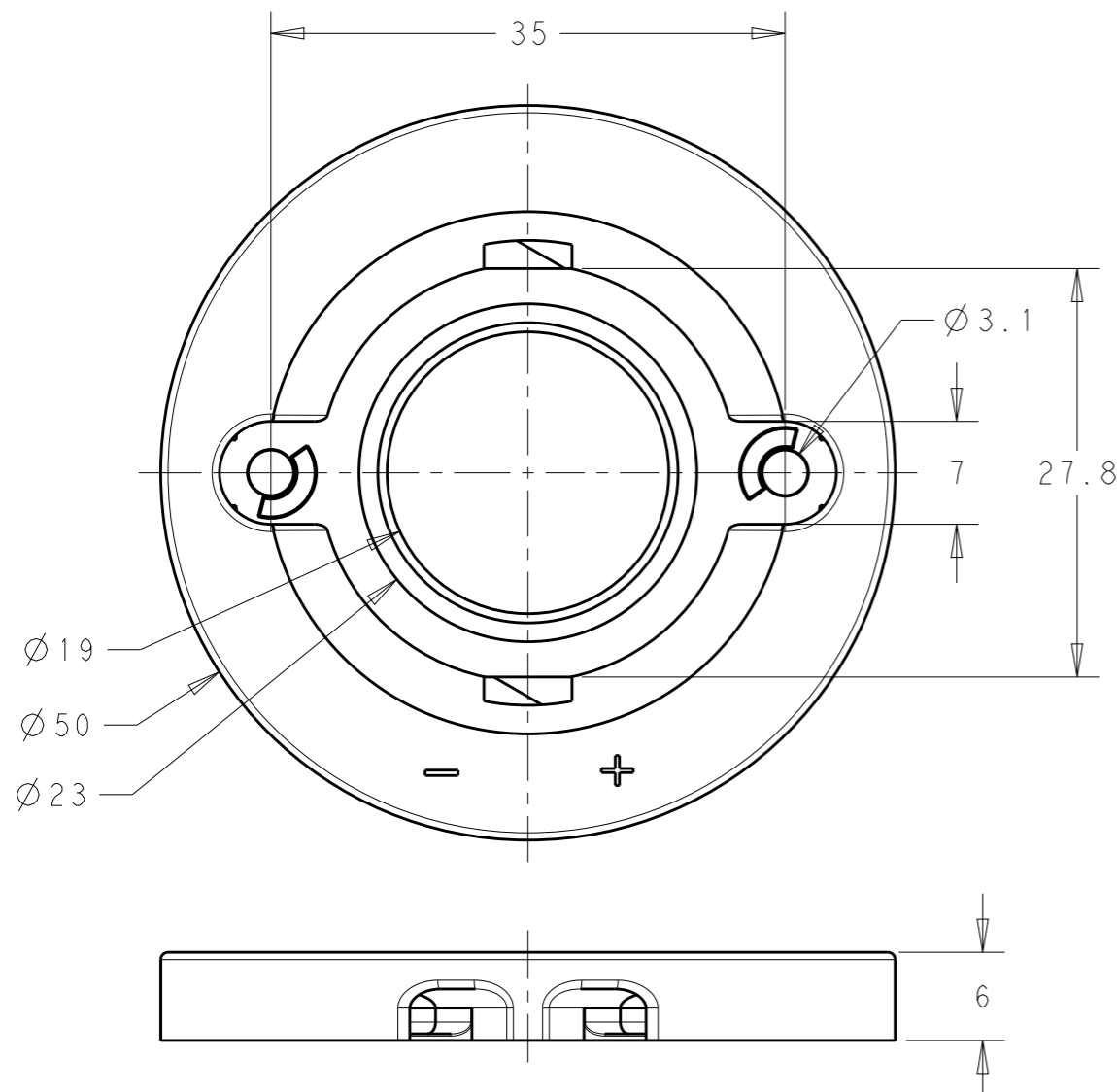
THIS DRAWING IS A CONTROLLED DOCUMENT.		DWN M.V.ESSEN 28AUG2013	TE Connectivity	
DIMENSIONS: mm		CHK M.V.ESSEN 28AUG2013		
TOLERANCES UNLESS OTHERWISE SPECIFIED:		APVD O.I.FI.JNSF 28AUG2013	NAME LUMAWISE Z50 LED HOLDER 2024	
0 PLC ±-		PRODUCT SPEC 108-133008	-	
1 PLC ±-		APPLICATION SPEC 114-32048	-	
2 PLC ±-		WEIGHT -	SIZE A3	CAGE CODE 00779
3 PLC ±-		CUSTOMER DRAWING	DRAWING NO C-2213130	RESTRICTED TO -
4 PLC ±-			SCALE 2:1	SHEET 1 OF 3
ANGLES ±-				
FINISH -				

2213130-1 AS SHOWN
Z50 LED HOLDER LOW PROFILE

THIS DRAWING IS UNPUBLISHED. RELEASED FOR PUBLICATION 20
© COPYRIGHT 20 BY - ALL RIGHTS RESERVED.


REVISIONS

P	LTR	DESCRIPTION	DATE	DWN	APVD
-	-	SEE SHEET 1	-	-	-



2213130-2 AS SHOWN

Z50 LED HOLDER STANDARD PROFILE

THIS DRAWING IS A CONTROLLED DOCUMENT.		DWN M.V.ESSSEN 28AUG2013	 TE Connectivity			
DIMENSIONS: mm		CHK M.V.ESSSEN 28AUG2013			NAME LUMAWISE Z50 LED HOLDER 2024	
TOLERANCES UNLESS OTHERWISE SPECIFIED:		APVD O.I.FIJNSE 28AUG2013			PRODUCT SPEC 108-133008	
0 PLC ±- 1 PLC ±- 2 PLC ±- 3 PLC ±- 4 PLC ±- ANGLES ±-		APPLICATION SPEC 114-32048			SIZE A3	
MATERIAL	FINISH	WEIGHT	CAGE CODE 00779	DRAWING NO C-2213130	RESTRICTED TO	
-	-	-	SCALE 2:1		SHEET 2 OF 3	REV F
CUSTOMER DRAWING						

4

3

2

1

THIS DRAWING IS UNPUBLISHED.

RELEASED FOR PUBLICATION

20

© COPYRIGHT 20

BY -

ALL RIGHTS RESERVED.

REVISIONS

P	LTR	DESCRIPTION	DATE	DWN	APVD
-		SEE SHEET 1	-	-	-

THE SKETCH BELOW IS SHOWING THE NOMINAL LED COB DIMENSION TO MATCH WITH THE Z50 LED HOLDER 2024

FOR TECHNICAL DETAILS ABOUT A PROPER MATCH WITH A SPECIFIC LED COB ARRAY PLEASE CONTACT A REPRESENTATIVE AT TE-CONNECTIVITY

CONTACT POINT LOCATION

RELEASED LEDs

NAME	TYPE	DATA SHEET	REVISION	TE PART NUMBER
LUMILEDS	1204	DS115	20130614	2213130-1/-2
LUMILEDS	1205	DS115	20130614	2213130-1/-2
LUMILEDS	1208	DS115	20130614	2213130-1/-2
LUMILEDS	1204 CRSP	DS138	20140703	2213130-1/-2
LUMILEDS	1205 CRSP	DS138	20140703	2213130-1/-2
LUMILEDS	1208 CRSP	DS138	20140703	2213130-1/-2
SHARP	MEGA ZENIGATA	DG-125039	41059	2213130-1/-2
LUMILEDS	1204 GEN 3	DS162	20161102	2213130-1/-2
LUMILEDS	1205 GEN 3	DS162	20161102	2213130-1/-2
LUMILEDS	1208 GEN 3	DS162	20161102	2213130-1/-2

THIS DRAWING IS A CONTROLLED DOCUMENT.

DWN M.V.ESSEN 28AUG2013

CHK M.V.ESSEN 28AUG2013

APVD O.I.FIUNSE 28AUG2013

PRODUCT SPEC

108-133008

APPLICATION SPEC

114-32048

WEIGHT -

CUSTOMER DRAWING

TE

TE Connectivity

NAME LUMAWISE Z50 LED HOLDER 2024

-

-

SIZE CAGE CODE DRAWING NO RESTRICTED TO

A300779 C-2213130 -

SCALE 2:1 SHEET 3 OF 3 REV F

DIMENSIONS:

mm

TOLERANCES UNLESS OTHERWISE SPECIFIED:

0 PLC	±-
1 PLC	±-
2 PLC	±-
3 PLC	±-
4 PLC	±-
ANGLES	±-

MATERIAL

-

FINISH

-

1470-19 (3/13)