

THIS DRAWING IS UNPUBLISHED. RELEASED FOR PUBLICATION

© COPYRIGHT - BY TYCO ELECTRONICS CORPORATION. ALL RIGHTS RESERVED.

LOC H DIST -

REVISIONS

P	LTR	DESCRIPTION	DATE	DWN	APVD
D1		REVISED PER ECR-14-012391	18AUG2014	FD	OL
B		CHANGE PER ECR-13-006472	17APR2013	PP	OL
C		REVISED PER ECR-14-000978	22JAN2014	AB	OL
D		REVISED PER ECR-14-008991	21JUL2014	PP	OL

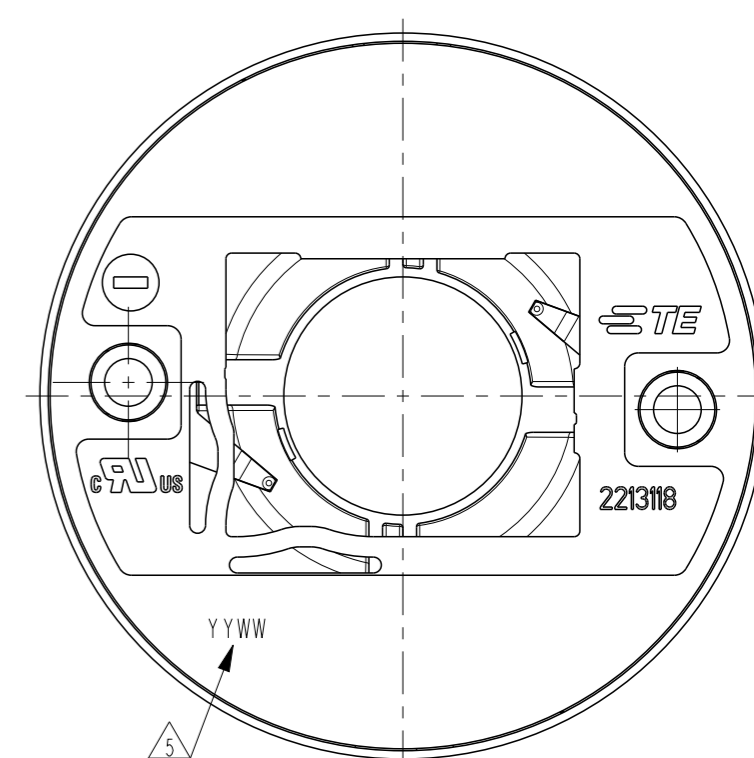
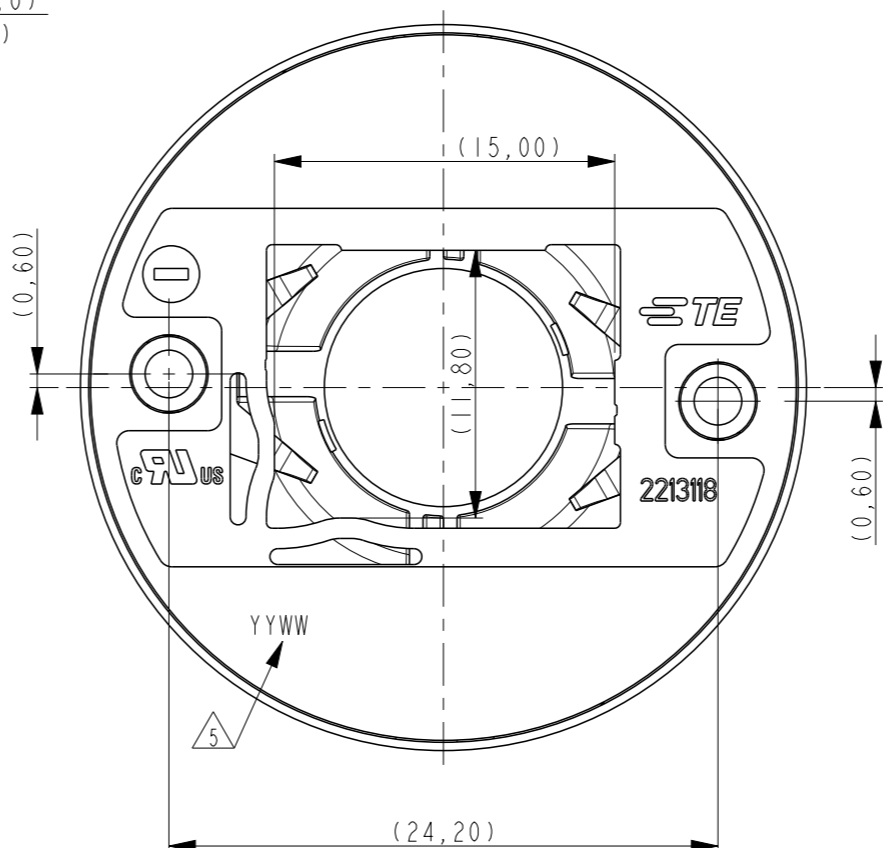
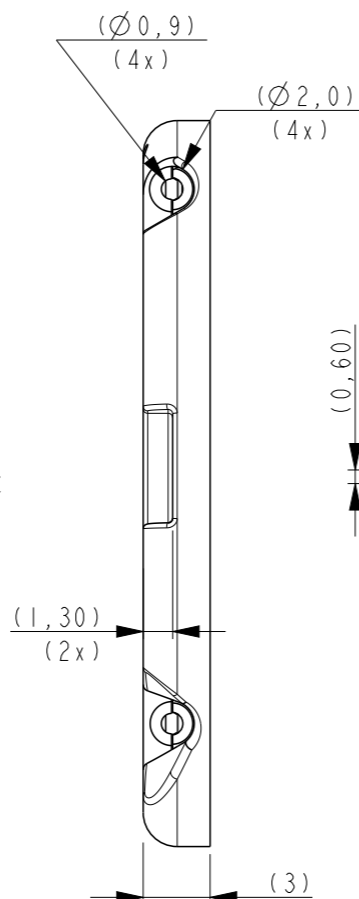
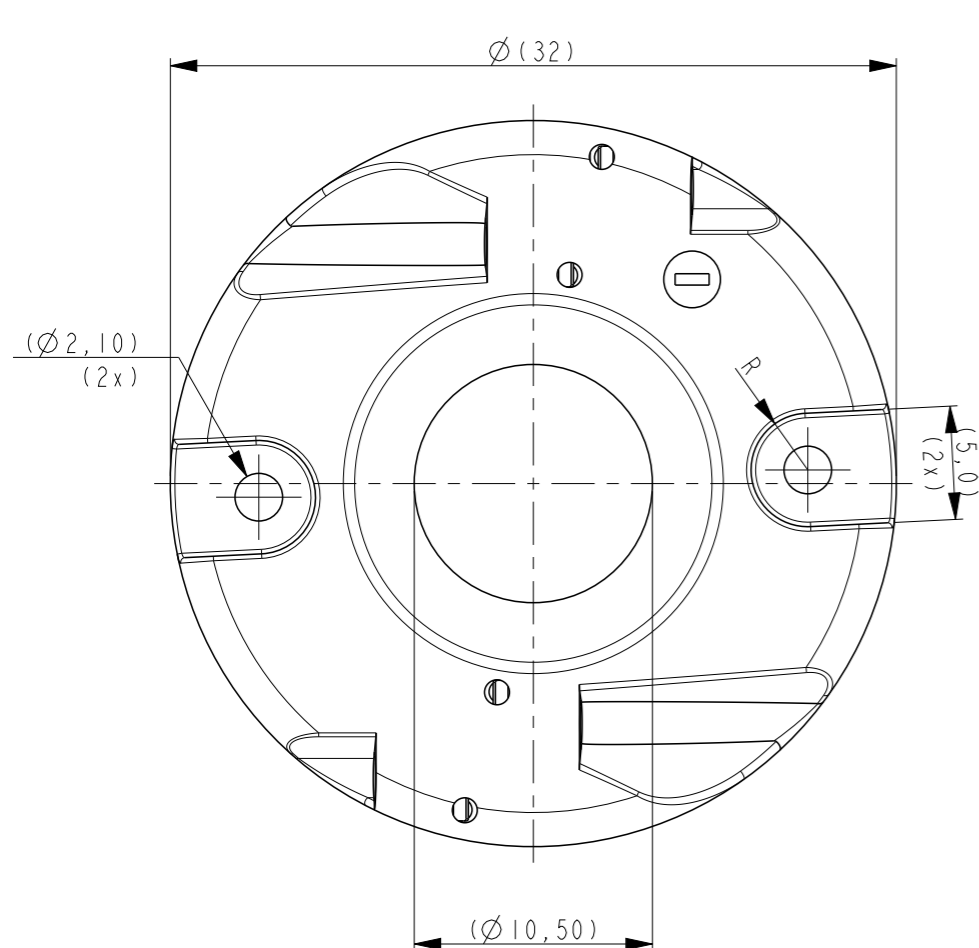
NOTES:

- MATERIALS:
- BASE & COVER: PBT,
COLOR: NATURAL,
- CONTACTS: COPPER ALLOY.
- FOR SOLID AND STRANDED WIRE AWG 22 - 20 USE.
- COMPLIES WITH DIRECTIVE 2002/95/EC (ROHS).
- SREWS TO BE USED: M2x6.

△ YEAR/WEEK CODING

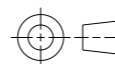
P/N 2213118-1
2 PARALLEL CONTACT BEAM VERSION
SHARP MINI ZENIGATA LED

P/N 2213118-2
SINGLE CONTACT BEAM VERSION
LUMILEDS



THIS DRAWING IS A CONTROLLED DOCUMENT.

DIMENSIONS:
mm



TOLERANCES UNLESS OTHERWISE SPECIFIED:

- 0 PLC ±-
- 1 PLC ±-
- 2 PLC ±-
- 3 PLC ±-
- 4 PLC ±-
- ANGLES ±-
- FINISH -

MATERIAL -

DWN P. POORTER 19JUL2012

CHK O. LEIJNSE 19JUL2012

APVD O. LEIJNSE 19JUL2012

PRODUCT SPEC 108-133006

APPLICATION SPEC 114-32045

WEIGHT -

Customer Drawing



NAME LUMAWISE LED HOLDER Z32
LOW PROFILE 1215

SIZE A3 CAGE CODE 00779 DRAWING NO. C-2213118 RESTRICTED TO -

SCALE 3:1 SHEET 1 OF 2 REV D1

THIS DRAWING IS UNPUBLISHED.

RELEASED FOR PUBLICATION

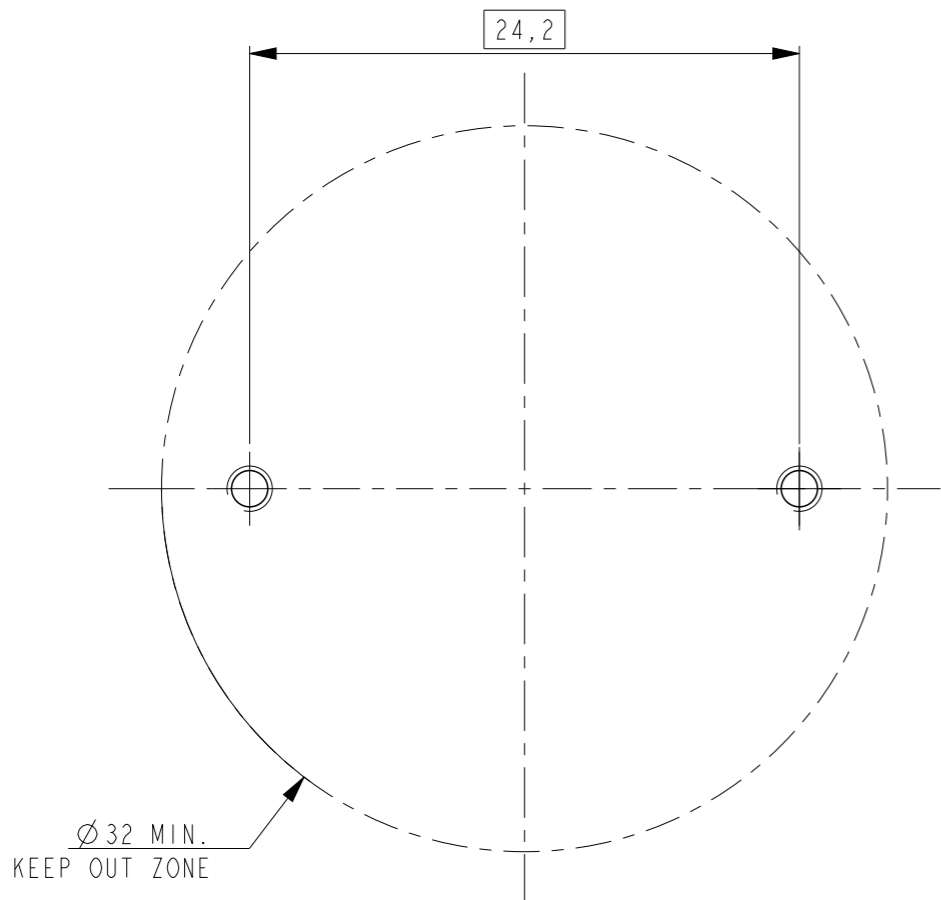
© COPYRIGHT - BY TYCO ELECTRONICS CORPORATION. ALL RIGHTS RESERVED.

LOC H DIST -

REVISIONS

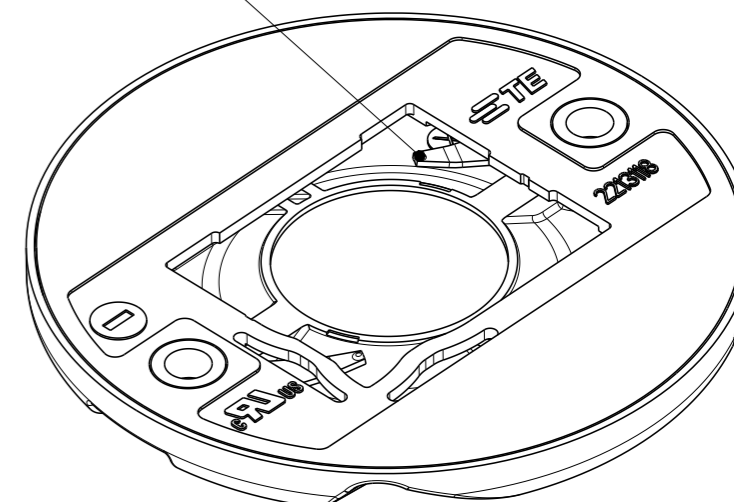
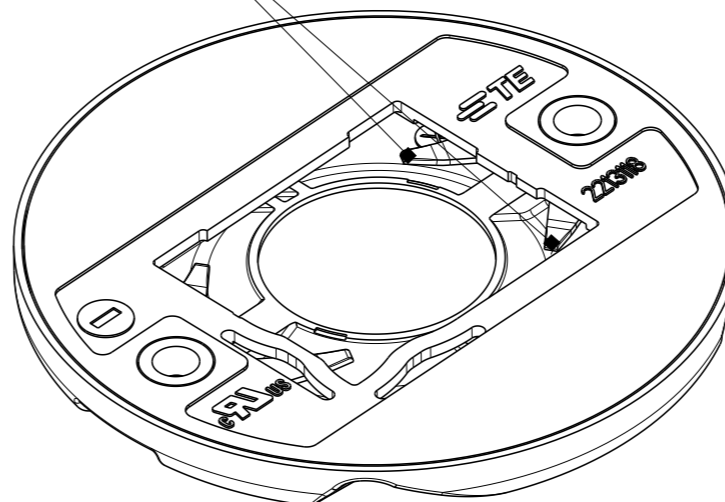
P	LTR	DESCRIPTION	DATE	DWN	APVD
-	-	SEE SHEET 1	-	-	-

RECOMMENDED DRILLING HOLE PATTERN



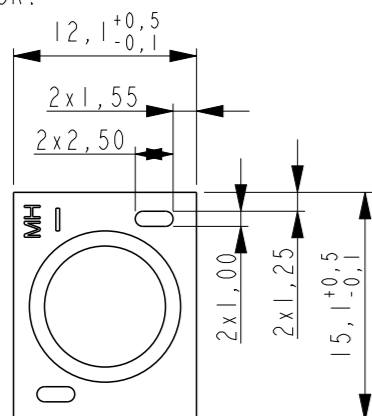
P/N 2213118-1
2 paralel contacts

P/N 2213118-2
single contact

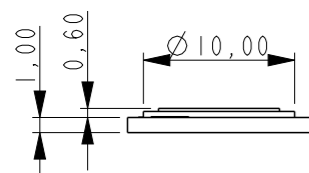
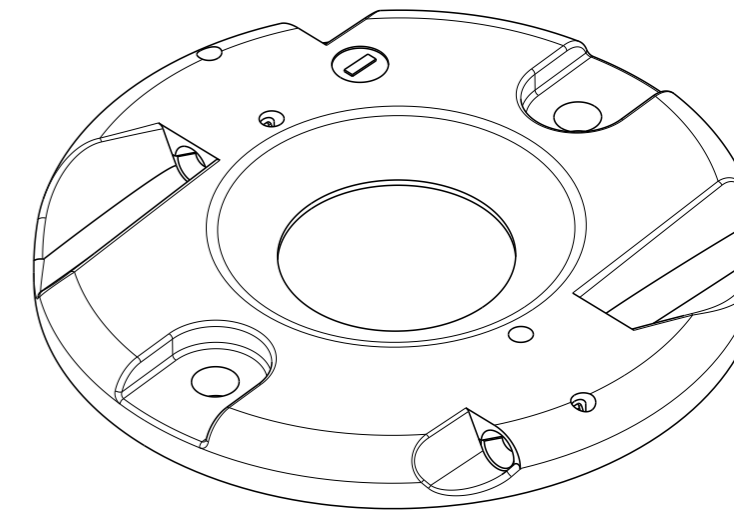
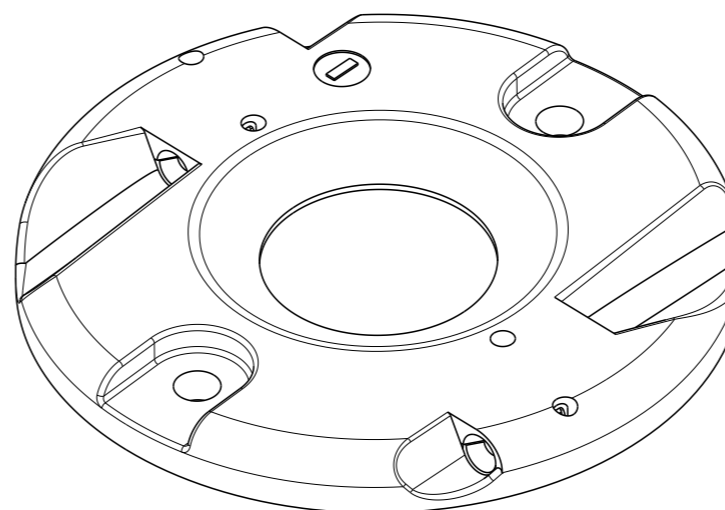
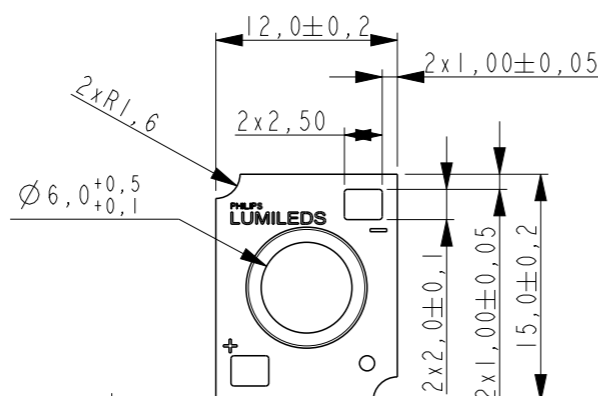


TE CONNECTIVITY IS NOT RESPONSABLE FOR LED LAYOUT DIMENSIONS AS SHOWN BELOW. DIMENSIONS ARE AS RECEIVED BY TE CONNECTIVITY FROM LED MANUFACTURER PRIOR TO THIS REVISION.

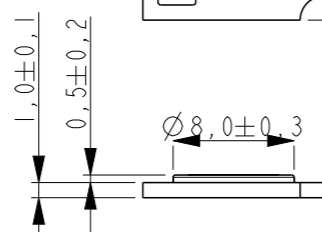
P/N 2213118-1
2 paralel contacts
TO BE USED FOR:



P/N 2213118-2
single contact
TO BE USED FOR:

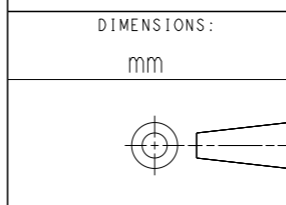


**SHARP
MINIZENIGATA**



**PHILIPS
LUMILEDS COB 1215**

THIS DRAWING IS A CONTROLLED DOCUMENT.



MATERIAL -

DIMENSIONS:	TOLERANCES UNLESS OTHERWISE SPECIFIED:
mm	
0 PLC	±-
1 PLC	±-
2 PLC	±-
3 PLC	±-
4 PLC	±-
ANGLES	±-
FINISH	-

DWN	P. POORTER	19JUL2012
CHK	O. LEIJNSE	19JUL2012
APVD	O. LEIJNSE	19JUL2012
PRODUCT SPEC	108-133006	
APPLICATION SPEC	114-32045	
WEIGHT	-	



NAME			
LUMAWISE LED HOLDER Z32 LOW PROFILE 1215			
SIZE	CAGE CODE	DRAWING NO	RESTRICTED TO
A3	00779	C-2213118	-

Customer Drawing SCALE 3:1 SHEET 2 OF 2 REV D1