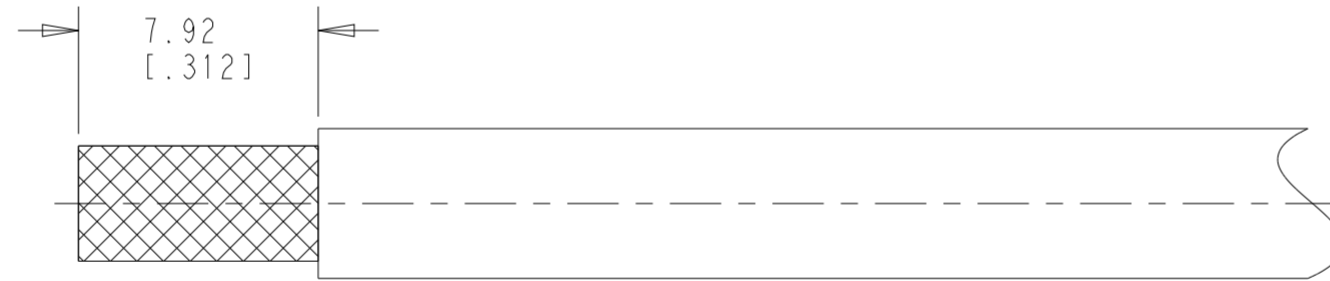
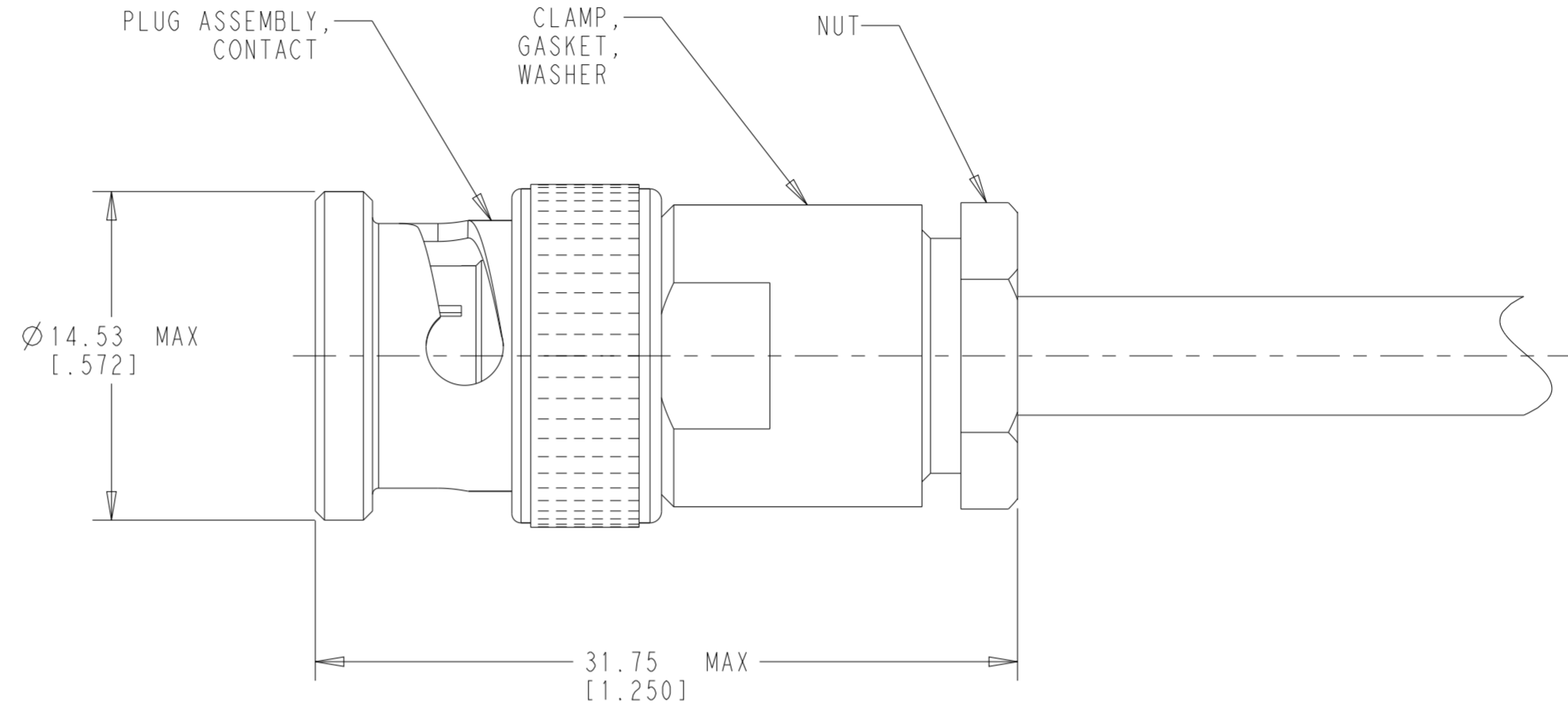


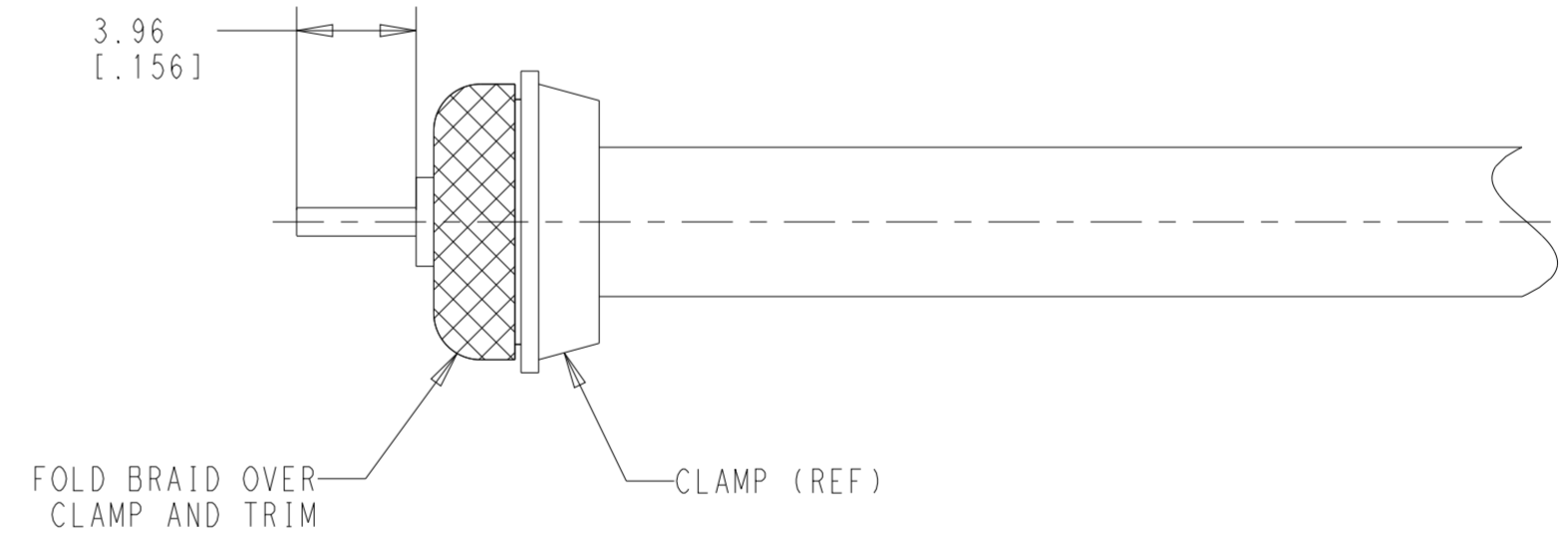
WARNING - THIS DOCUMENT CONTAINS TECHNOLOGY WHOSE EXPORT IS RESTRICTED BY THE EXPORT ADMINISTRATION REGULATIONS ("EAR") PURSUANT TO 15 C.F.R. PARTS 730-774. VIOLATIONS OF THE EAR ARE SUBJECT TO SEVERE CRIMINAL PENALTIES UNDER THE EXPORT CONTROL REFORM ACT, AS AMENDED (TITLE 50, U.S.C., SEC. 4801, ET SEQ.).

REVISIONS				
P	LTR	DESCRIPTION	DATE	APVD
	K	REV PER ECN-24-283445	12SEP2024	LP JG

COMPONENT	MATERIAL	FINISH
SHELL	BRASS PER ASTM B16	NICKEL PLATE PER SAE-AMS-QQ-N-290
DIELECTRIC	PTFE FLUOROCARBON PER ASTM-D-1457	N/A
COLLAR	BRASS PER ASTM B16	NICKEL PLATE PER SAE-AMS-QQ-N-290
WASHERS	BRASS PER ASTM B16 OR B36	NICKEL PLATE PER SAE-AMS-QQ-N-290
SPRING	BeCu PER ASTM B194	TIN PLATE PER ASTM B545
CONTACT	BRASS PER ASTM B16	GOLD PLATE PER ASTM B488 OVER NICKEL PLATE PER SAE-AMS-QQ-N-290
CLAMP	BRASS PER ASTM B16	NICKEL PLATE PER SAE-AMS-QQ-N-290
GASKET	SILICONE RUBBER PER A-A-59588	N/A
NUT	BRASS PER ASTM B16	NICKEL PLATE PER SAE-AMS-QQ-N-290



STEP #1



STEP #2

RECOMMENDED STRIP LENGTH

AMP 1-221265-0	△	1-221265-0
STAMPING	CABLE SIZE	PART NUMBER

1 RG-58/U, 58A/U, 58B/U, 58C/U, 141/U, 141A/U, 142/U, 142A/U, 142B/U, 55/U, 55A/U, 55B/U, 223/U, 400/U

2. USE INSTRUCTION SHEET 408-6851

THIS DRAWING IS A CONTROLLED DOCUMENT.		DWN 12SEP2024 L PROSPERI	NAME PLUG, CATEGORY A, SERIES BNC	
DIMENSIONS: mm		CHK 12SEP2024 J. GUNDERMANN	SIZE A2	
TOLERANCES UNLESS OTHERWISE SPECIFIED:		APVD 12SEP2024 D. WILSON	CAGE CODE 00779	DRAWING NO C-221265
0 PLC ±	1 PLC ±	PRODUCT SPEC -	RESTRICTED TO -	
2 PLC ±0.25	3 PLC ±	APPLICATION SPEC -	SCALE 4:1	SHEET 1 OF 1
4 PLC ±	ANGLES ±	WEIGHT -		REV K
MATERIAL -	FINISH -	CUSTOMER DRAWING		