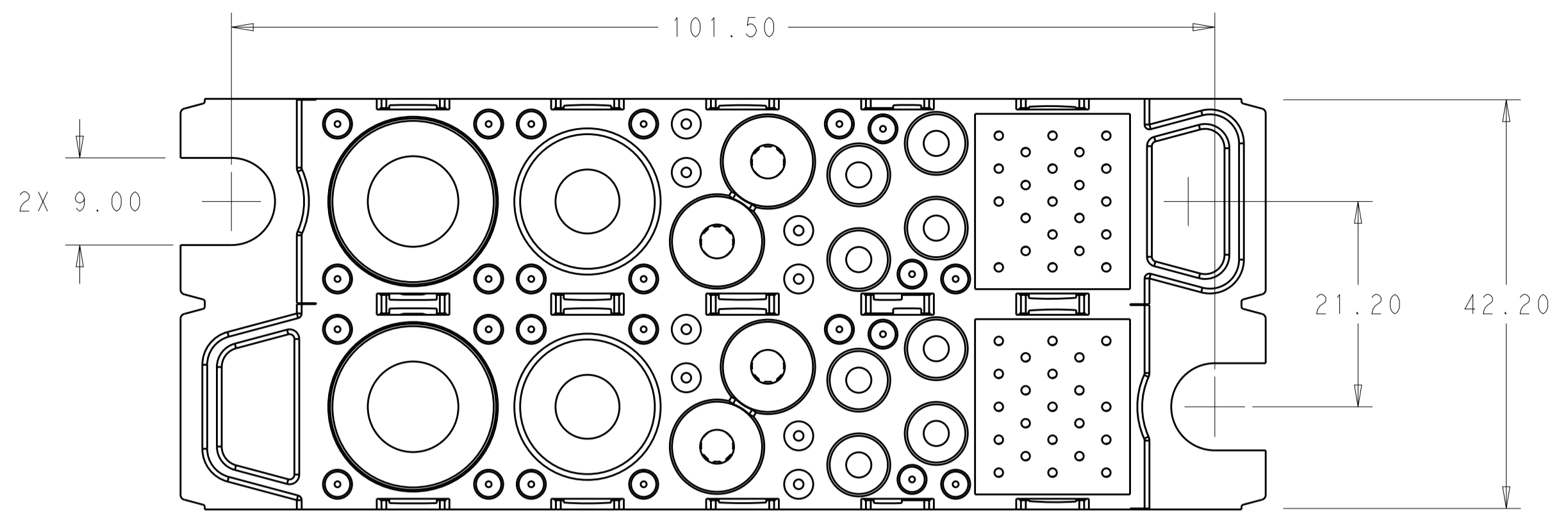
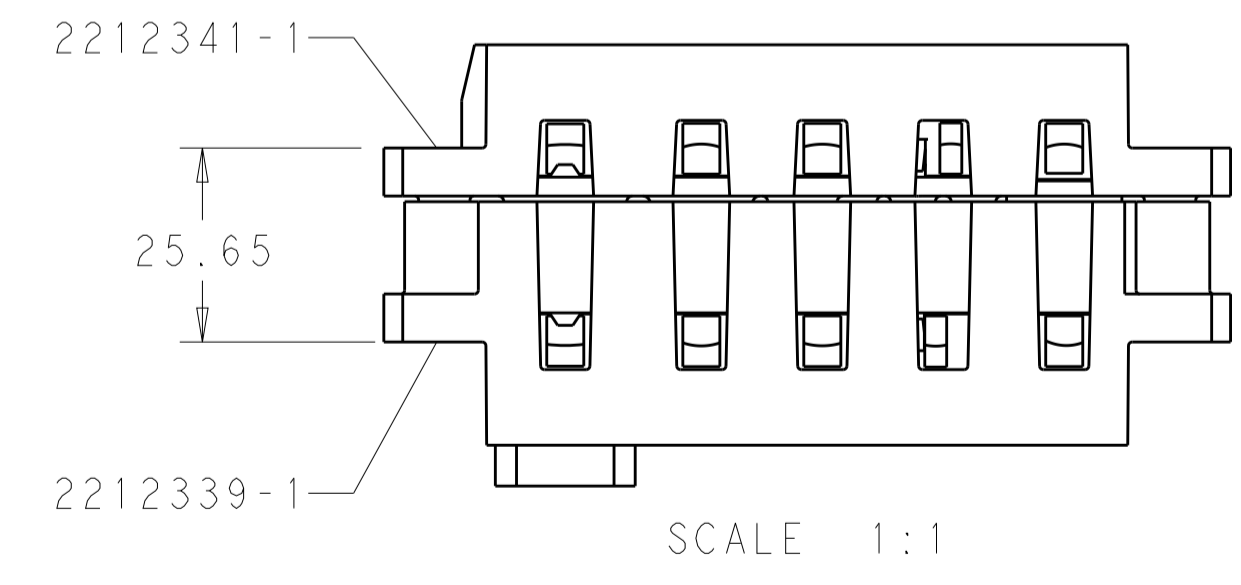
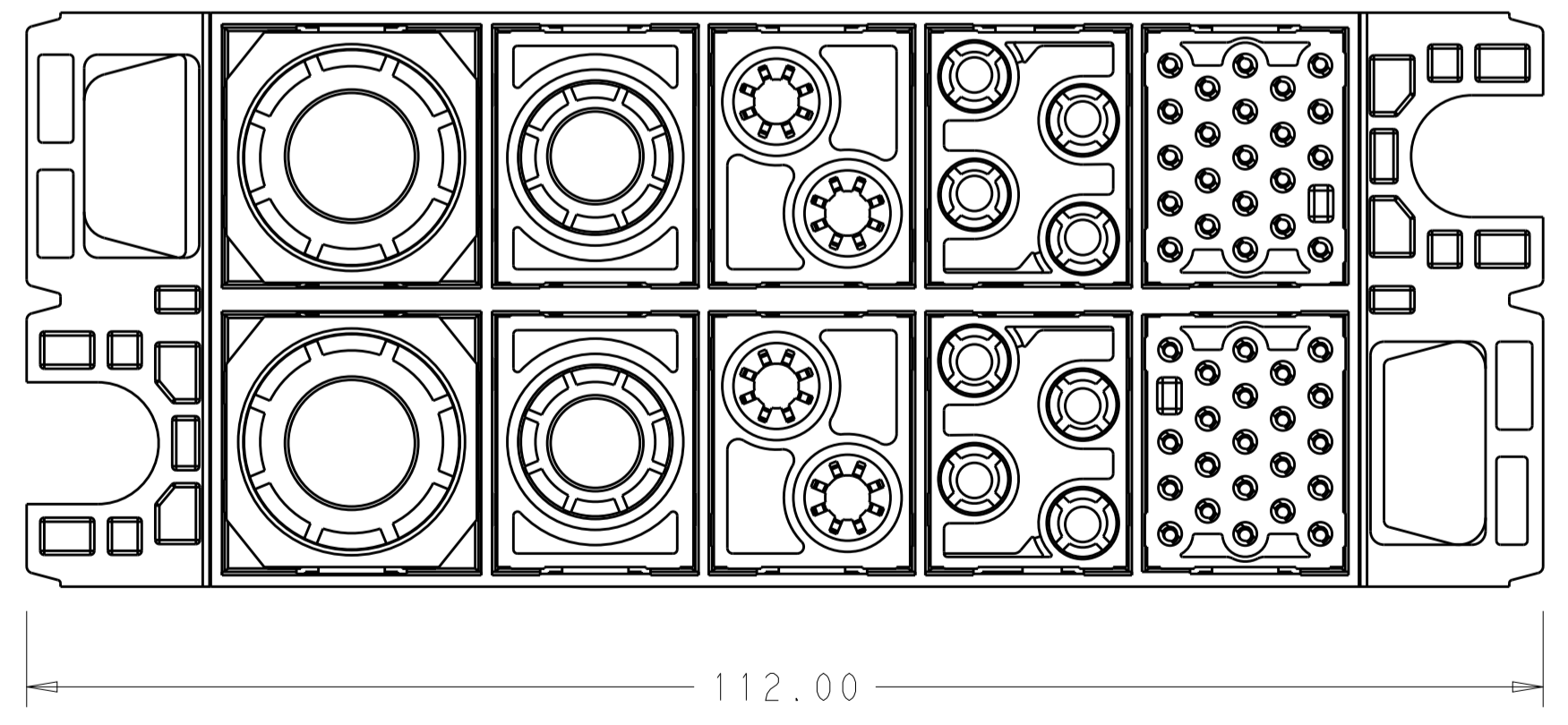
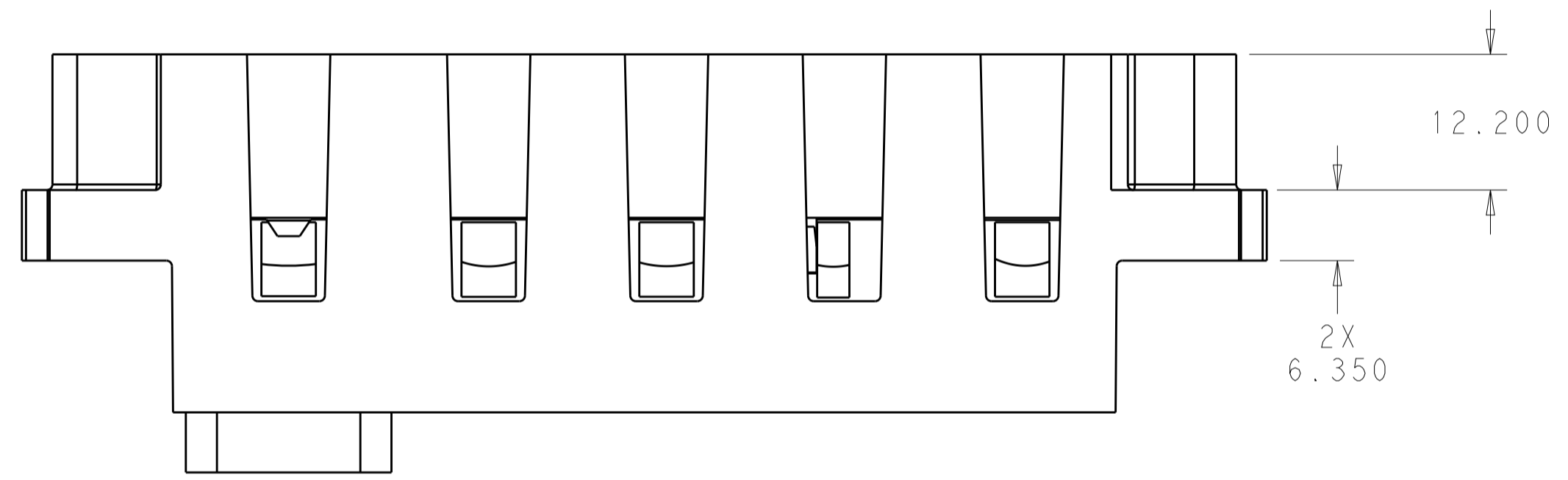
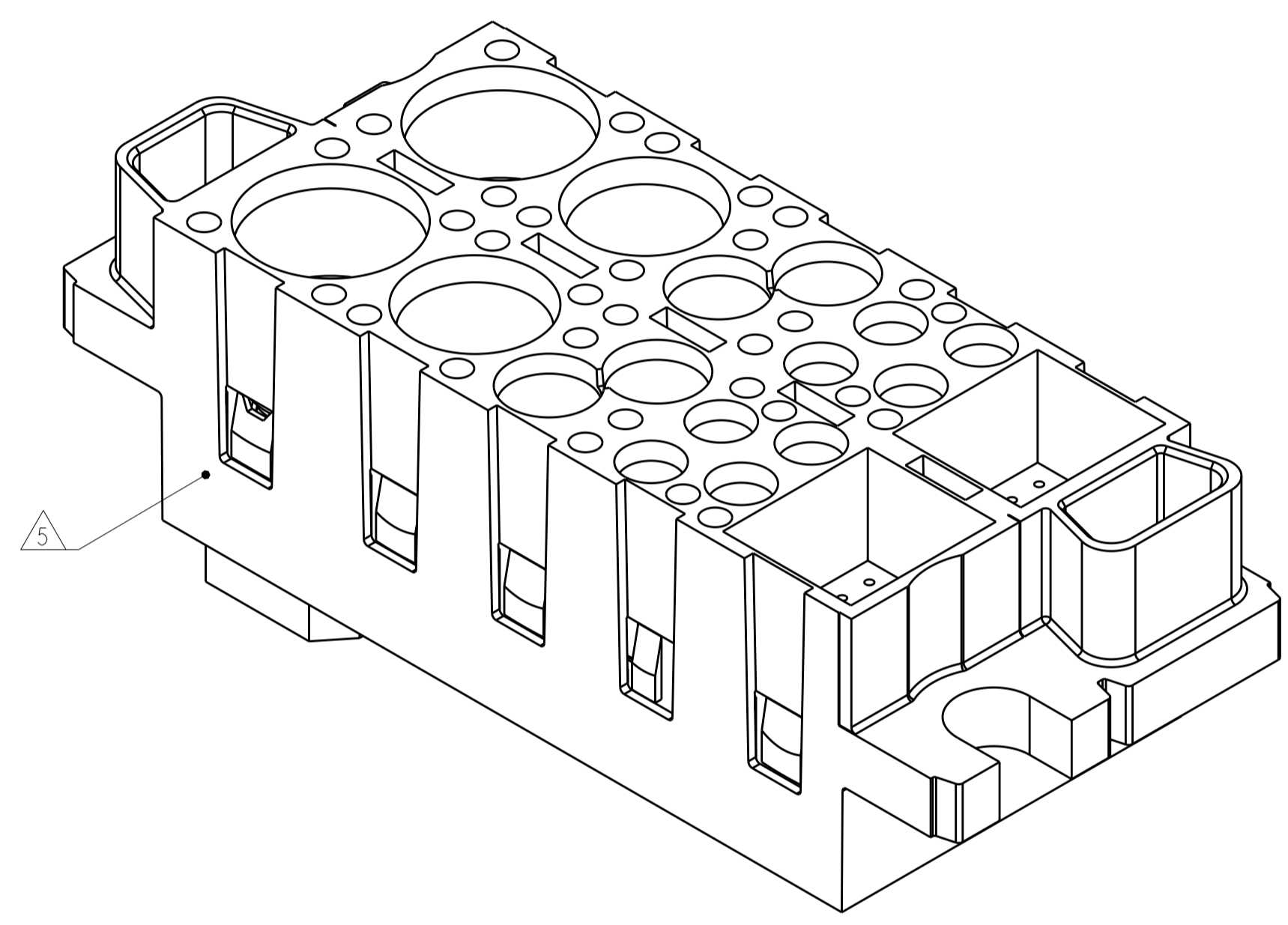


REVOLUTIONS		DATE	DWN	APVD
P. LTH	DESCRIPTION			
A	INITIAL RELEASE	28FEB2018	OL	SZ



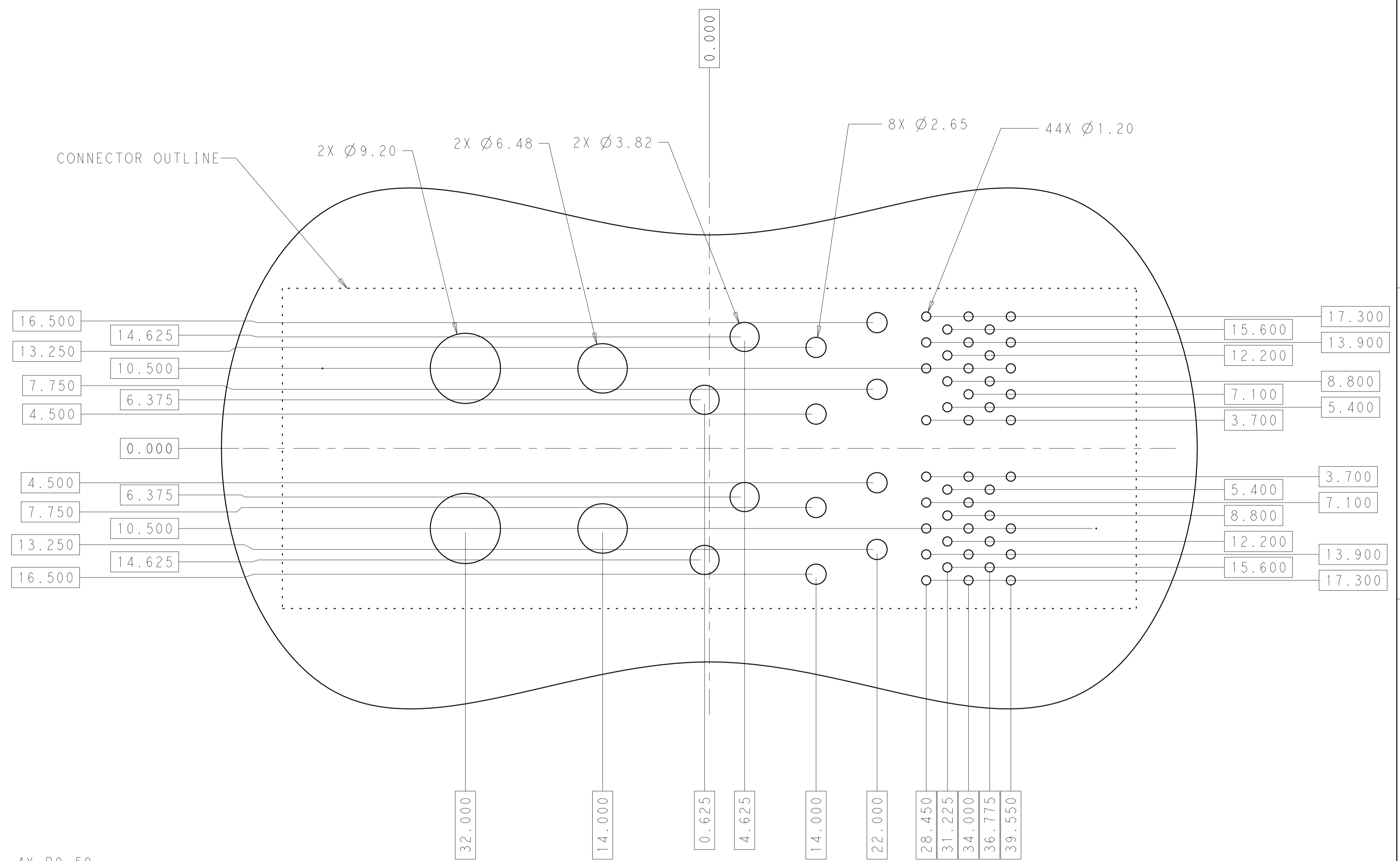
- 1 HOUSING: THERMOPLASTIC, COLOR BLACK, FLAMMABILITY RATING UL 94 V-0.
- 2 THIS ASSEMBLY TO MATE WITH TEC PART NUMBER 2212341-1.
- 3. RECOMMENDED SHOULDER SCREW: 2212056, FLOAT MOUNT
- 4 RECOMMENDED PANEL CUTOUT FOR FRONT PANEL MOUNT APPLICATION. RECOMMENDED PANEL THICKNESS 1.5 TO 1.78.
- 5 DATE CODE AND PART NUMBER IN APPROXIMATE AREA SHOWN.



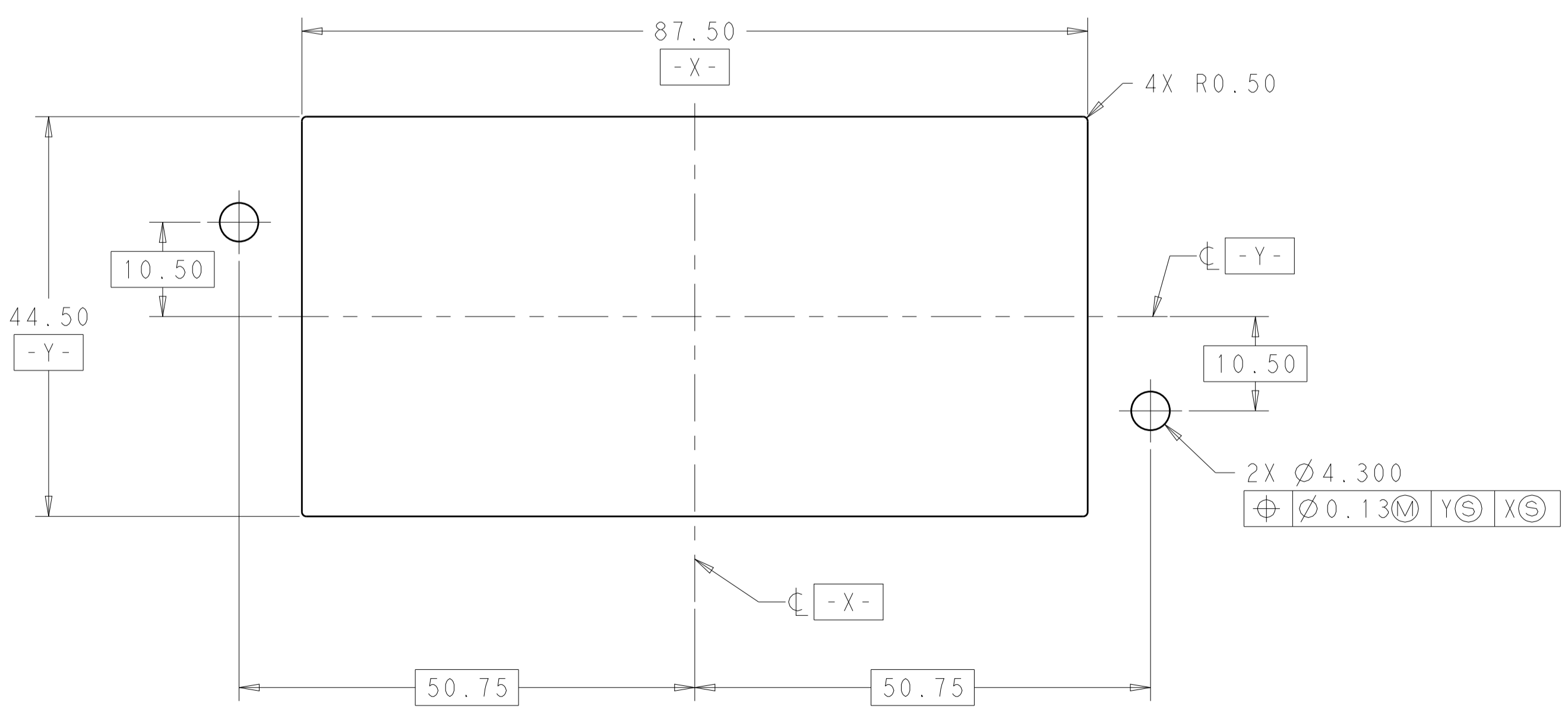
SCALE 1:1
 FULLY MATED ASSEMBLIES 2

CONNECTOR, PIN, FORGE 2x#0,2x#4,2x#8,2x#12,2x#22		2212339-1	
DESCRIPTION		PART NO.	
THIS DRAWING IS A CONTROLLED DOCUMENT.		DWN: R. IREDA 11DEC2014 CHK: E. WICKES 11DEC2014 APVD: S. STRICKLER 11DEC2014 NAME: S. STRICKLER	
DIMENSIONS: mm TOLERANCES UNLESS OTHERWISE SPECIFIED: 0 PLC ±N/A 1 PLC ±N/A 2 PLC ±0.25 3 PLC ±0.13 4 PLC ±N/A ANGLES ±N/A FINISH:		PRODUCT SPEC: 108-2323 APPLICATION SPEC: 114-13299 WEIGHT: - CUSTOMER DRAWING	
MATERIAL:		SIZE: A1 CAGE CODE: 00779 DRAWING NO: 2212339 RESTRICTED TO: - SCALE: 2:1 SHEET 1 OF 2 REV A	

LOC		DIST		REVISIONS			
P	LTN	DESCRIPTION	DATE	DMN	APVD		
-	-	SEE SHEET 1	-	-	-	-	-



RECOMMENDED PCB LAYOUT
SCALE 3:1



RECOMMENDED PANEL CUTOUT
SCALE 2:1

THIS DRAWING IS A CONTROLLED DOCUMENT.		DMN R. IREDA 11DEC2014	TE Connectivity
DIMENSIONS: mm		CHK E. WICKES 11DEC2014	
TOLERANCES UNLESS OTHERWISE SPECIFIED:		APVD S. STRICKLER 11DEC2014	NAME CONNECTOR, PIN, FORGE
0 PLC ±N/A		PRODUCT SPEC	2x#0, 2x#4, 2x#8, 2x#12, 2x#22 CONFIGURATION
1 PLC ±N/A		108-2323	SIZE A1
2 PLC ±0.25		APPLICATION SPEC	CAGE CODE 00779
3 PLC ±0.13		114-13299	DRAWING NO C=2212339
4 PLC ±N/A		WEIGHT	RESTRICTED TO
ANGLES ±N/A		CUSTOMER DRAWING	SCALE 1:1 SHEET 2 OF 2 REV A
FINISH			