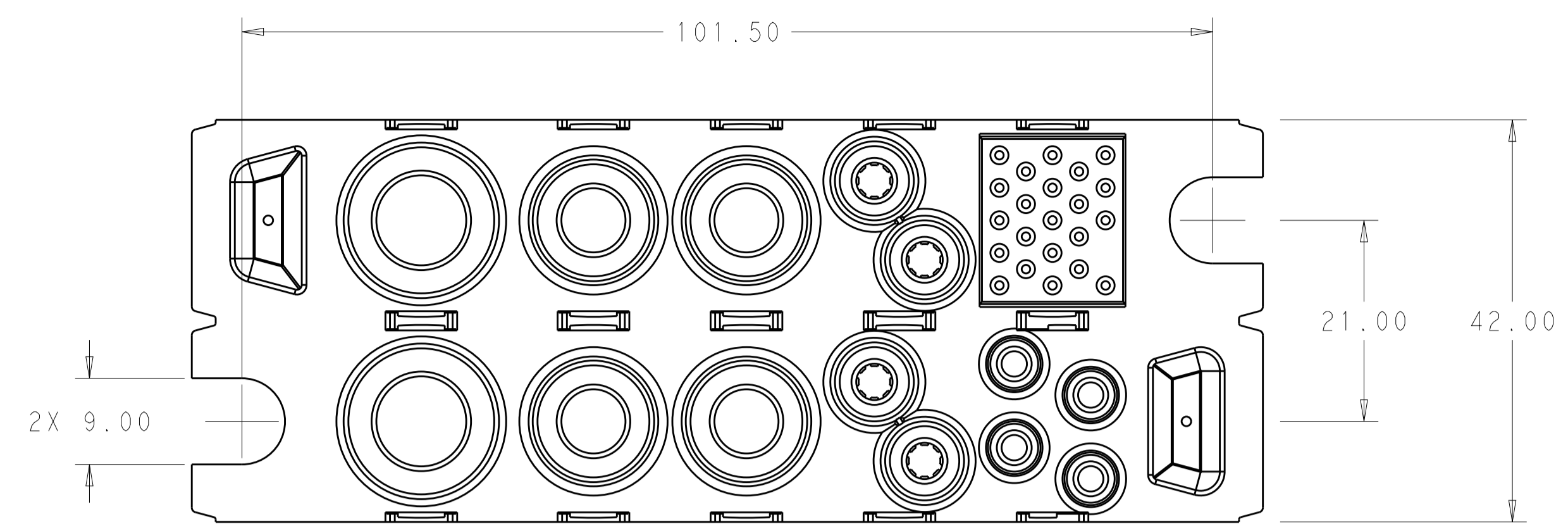
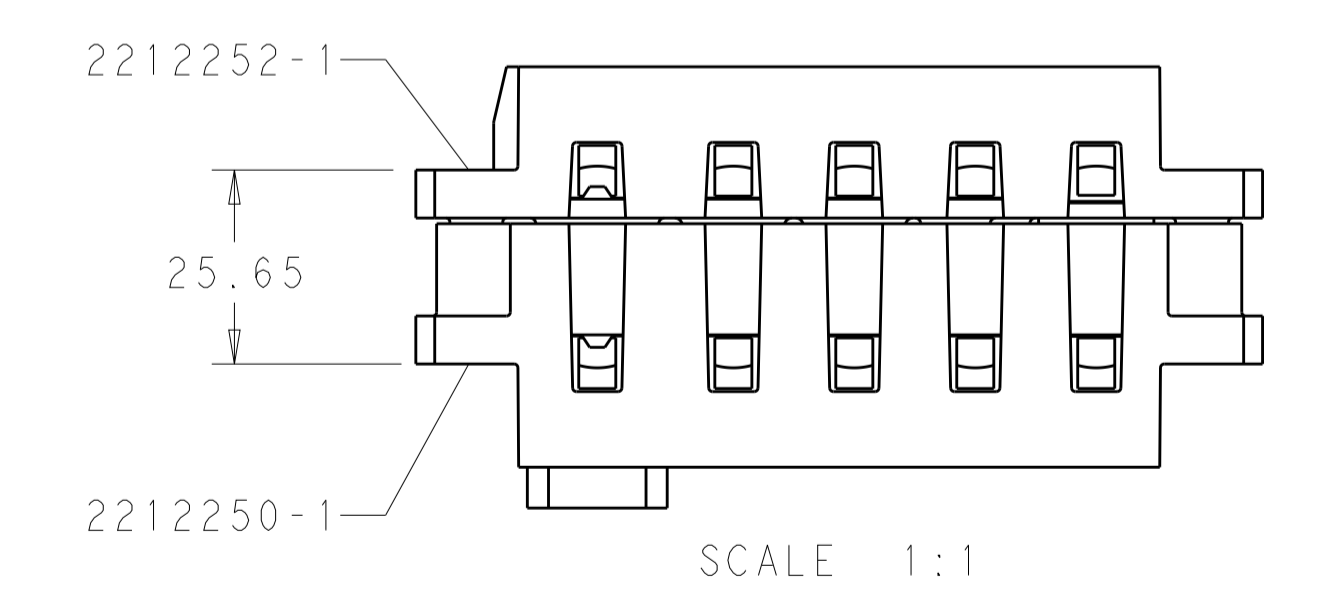
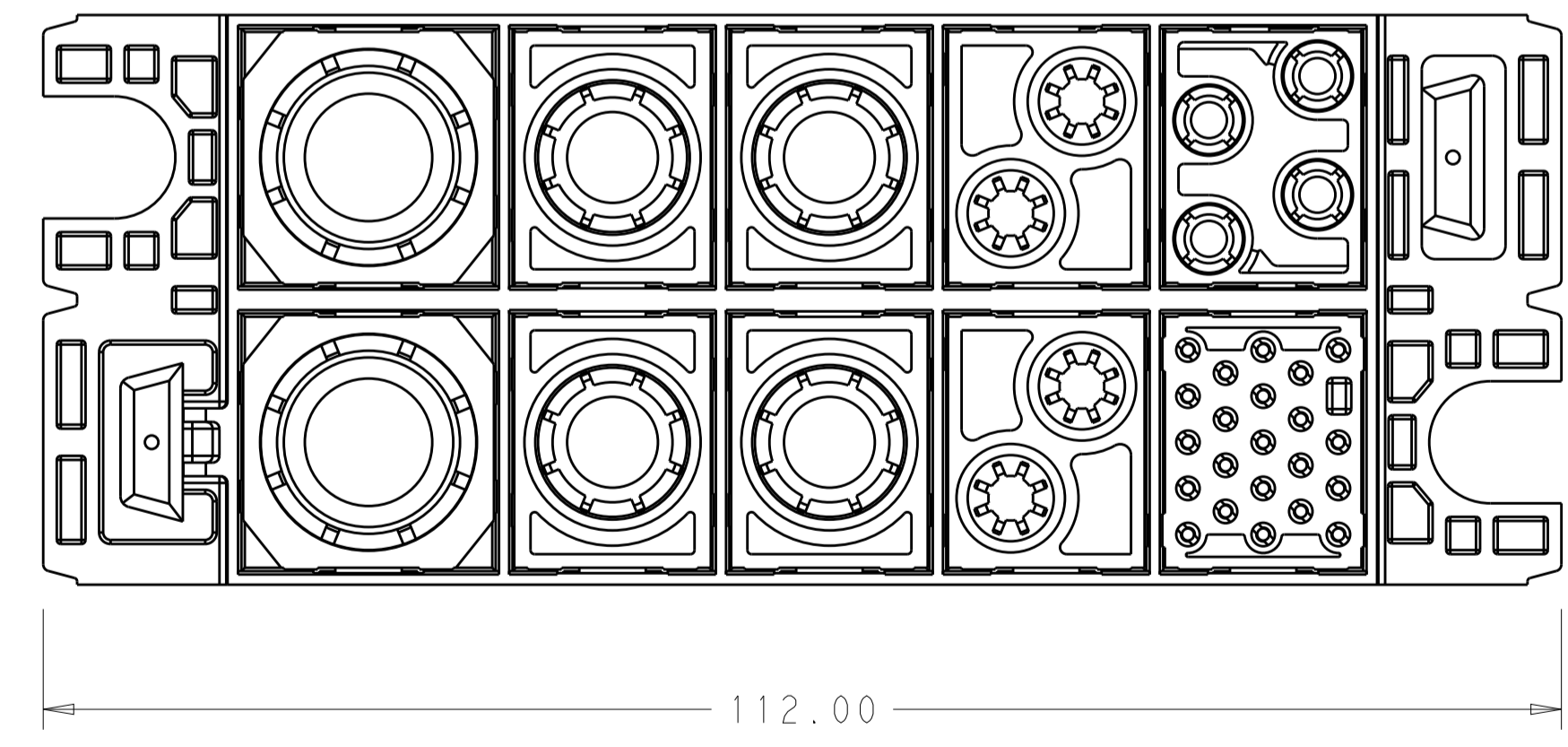
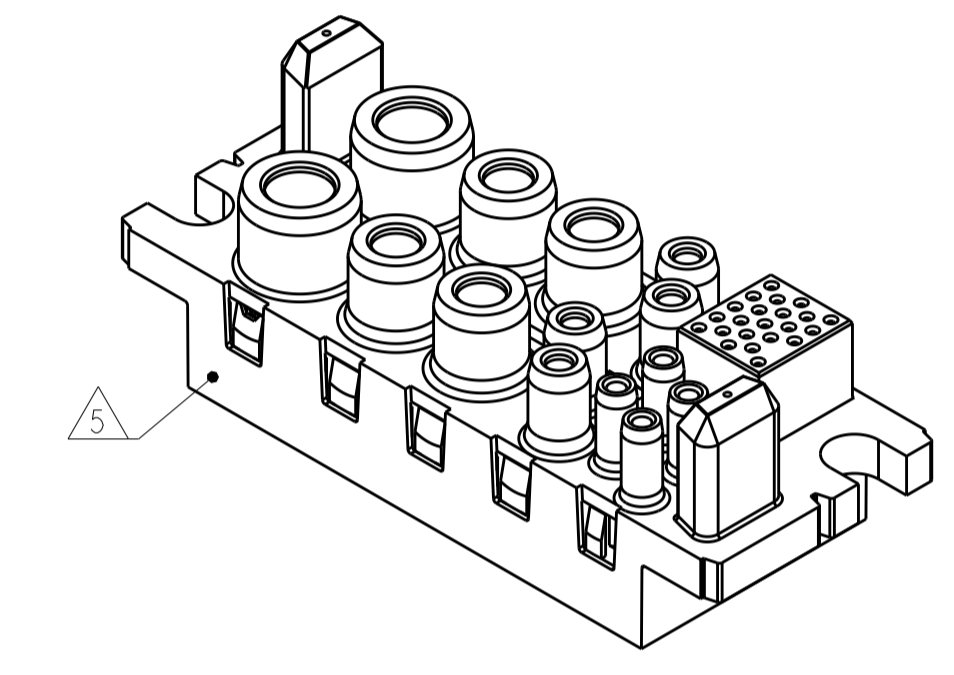
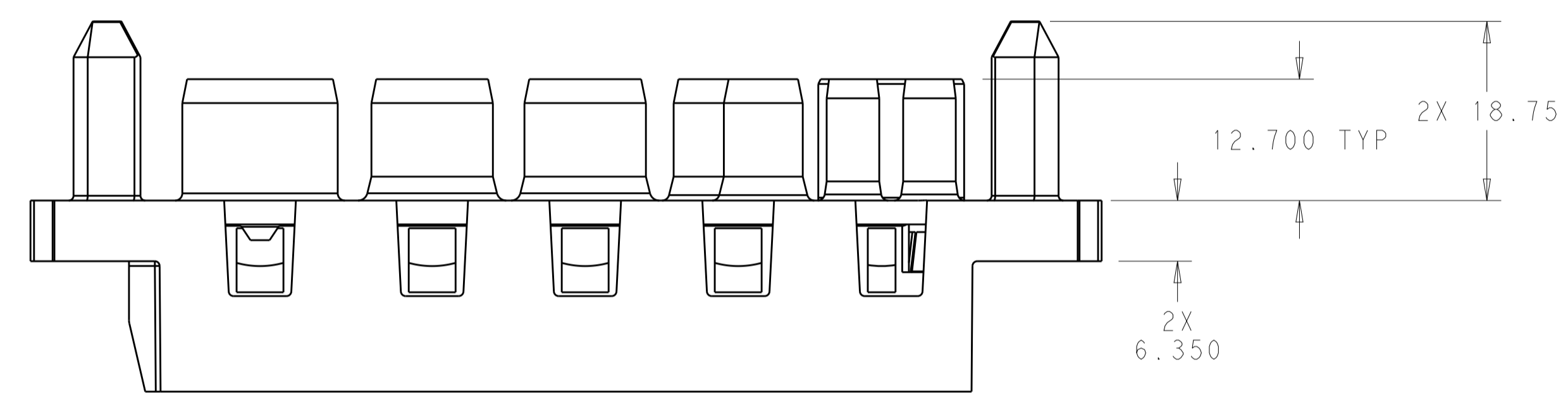
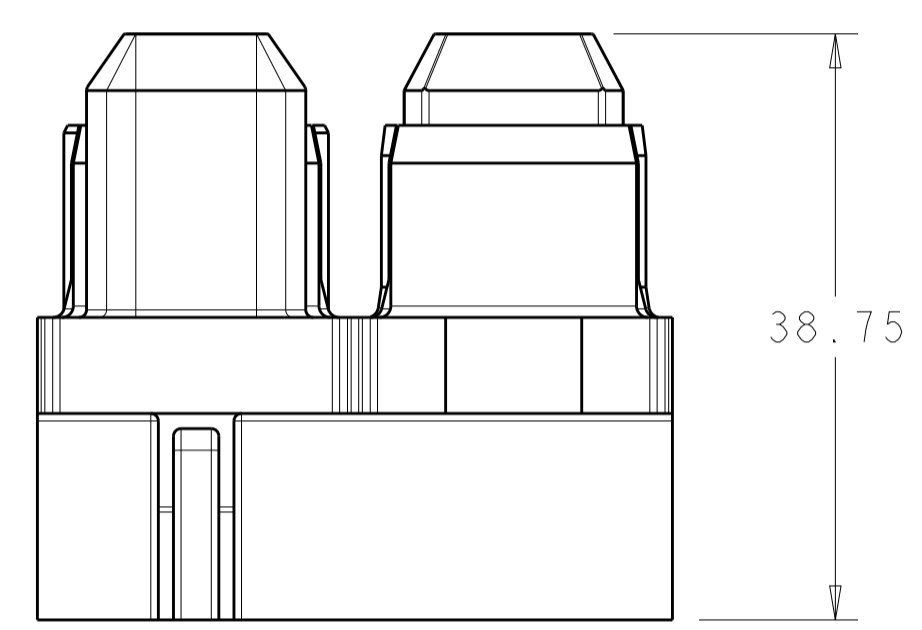


LOC		DIST		REVISIONS			
				DESCRIPTION	DATE	OWN	APVD



- △ HOUSING: THERMOPLASTIC, COLOR BLACK, FLAMMABILITY RATING UL 94 V-0.
- △ THIS ASSEMBLY TO MATE WITH TEC PART NUMBER 2212250-1.
- 3. RECOMMENDED SHOULDER SCREW:
 2212056, FLOAT MOUNT
 2212055, FIXED MOUNT
- △ RECOMMENDED PANEL CUTOUT FOR FRONT PANEL MOUNT APPLICATION.
 RECOMMENDED PANEL THICKNESS 1.5 TO 1.78.
- △ DATE CODE AND PART NUMBER IN APPROXIMATE AREA SHOWN.



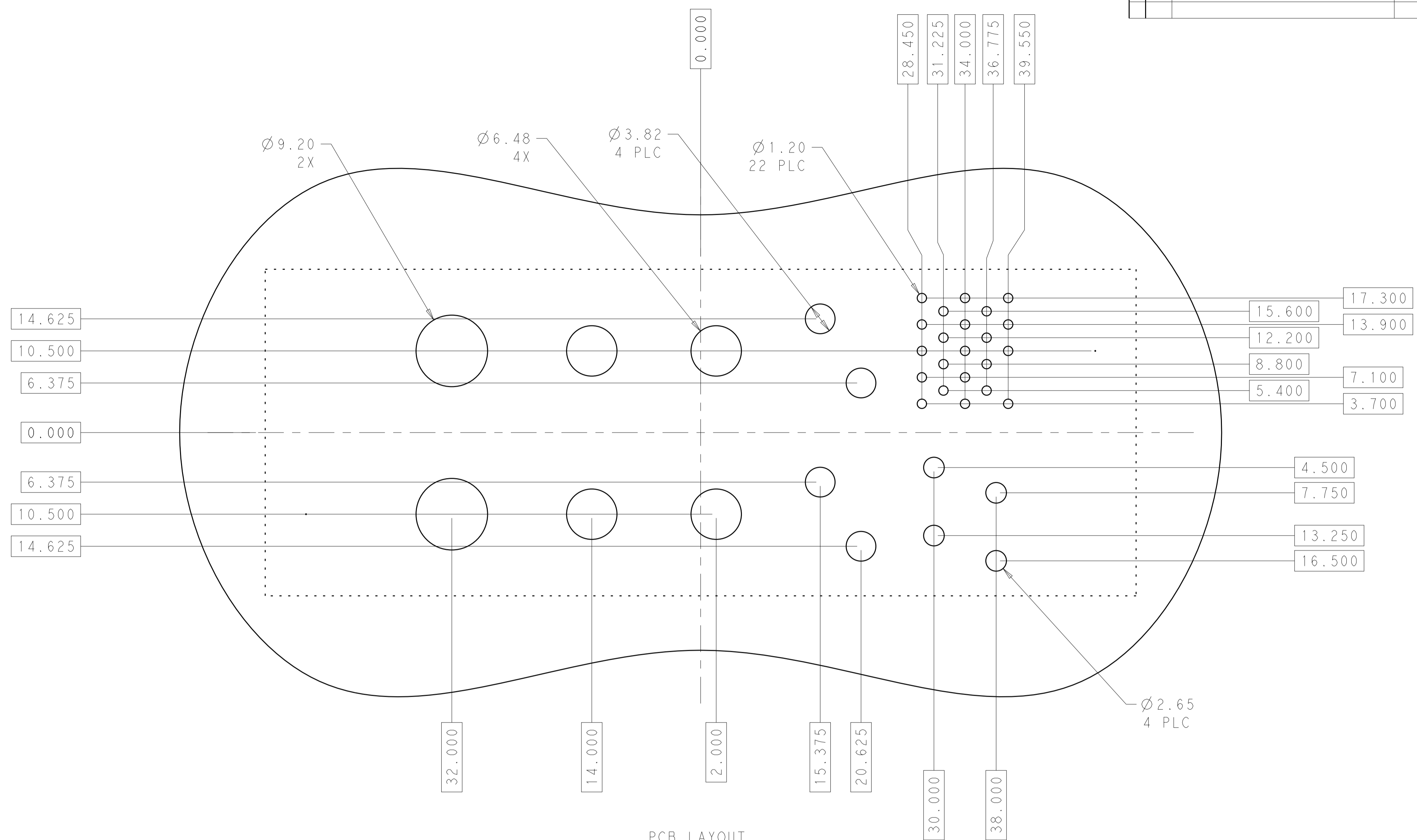
SCALE 1:1
 FULLY MATED ASSEMBLIES △

CONNECTOR, SOCKET, FORGE 2x#0, 4x#4, 2x#8, 1x#12, 1x#22, 2212252-1
 DESCRIPTION PART NO.

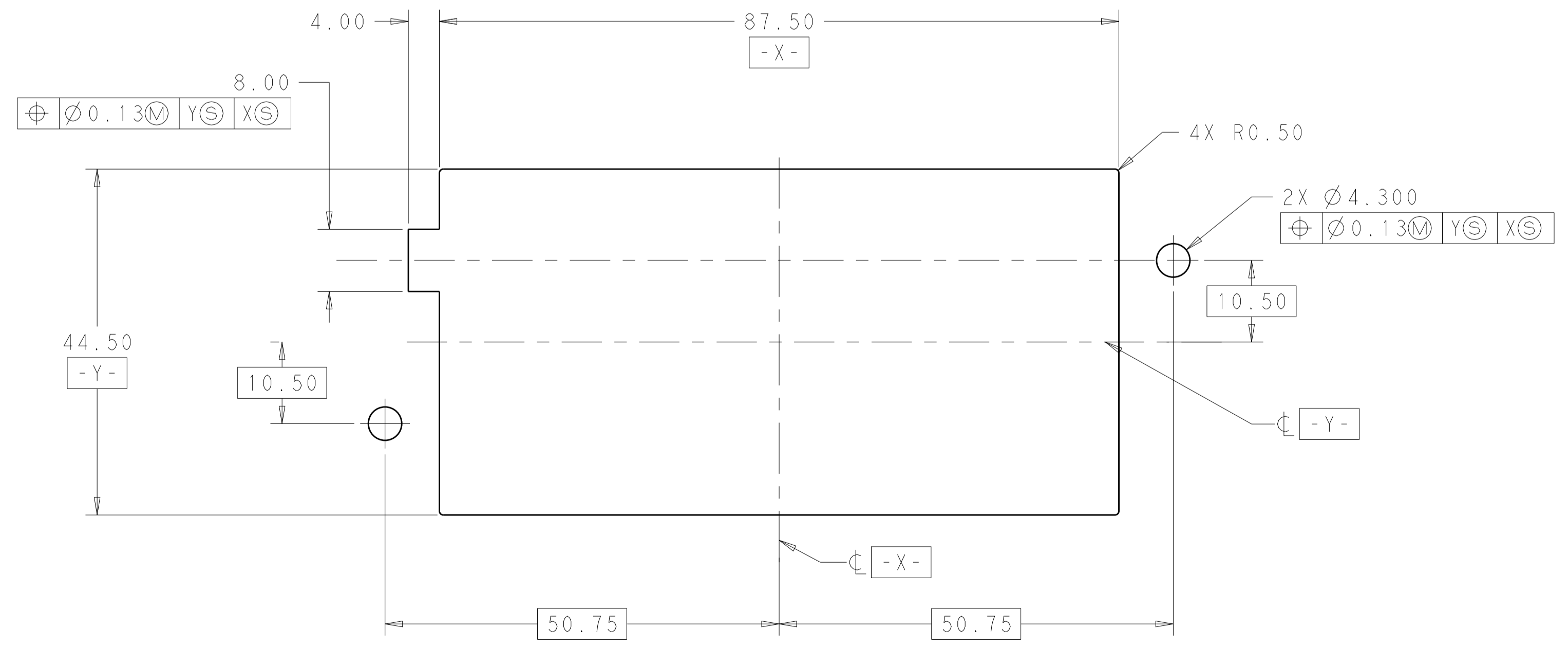
THIS PRINT IS
PRELIMINARY
 UNQUALIFIED PRODUCT
 CONTACT PRODUCT ENGINEERING
 BEFORE USING THIS PRINT

THIS DRAWING IS A CONTROLLED DOCUMENT.		OWN: R. IRENA 23JAN2015	TE Connectivity
DIMENSIONS: mm		CHK: E. WICKES 23JAN2015	
TOLERANCES UNLESS OTHERWISE SPECIFIED:		APVD: S. STRICKLER 23JAN2015	NAME: CONNECTOR, SOCKET, FORGE 2x#0, 4x#4, 2x#8, 1x#12, 1x#22 CONFIGURATION
0 PLC ±N/A		PRODUCT SPEC: 108-2323	
1 PLC ±N/A		APPLICATION SPEC: 114-13299	SIZE: A1
2 PLC ±0.25		WEIGHT: -	CAGE CODE: 00779
3 PLC ±0.13		FINISH: -	DRAWING NO: 2212252
4 PLC ±N/A		Customer Drawing	RESTRICTED TO: -
ANGLES: ±N/A		SCALE: 2:1	SHEET 1 OF 2
MATERIAL: △			REV 1

LOC	DIST	REV	DATE	BY	APPD
-	-	-	-	-	-
REVISIONS					
P. LTH		DESCRIPTION	DATE	DWN	APPD
-		SEE SHEET 1	-	-	-



PCB LAYOUT
SCALE 3:1



RECOMMENDED PANEL CUTOUT
SCALE 2:1

THIS DRAWING IS A CONTROLLED DOCUMENT.		DWN	-	TE Connectivity
DIMENSIONS:		CHK	-	
mm		APVD	-	
TOLERANCES UNLESS OTHERWISE SPECIFIED:		NAME		CONNECTOR, SOCKET, FORGE 2x#0, 4x#4, 2x#8, 1x#12, 1x#22 CONFIGURATION
0 PLC ±N/A		PRODUCT SPEC		
1 PLC ±N/A		108-2323		
2 PLC ±0.25		APPLICATION SPEC		
3 PLC ±0.13		SIZE		A100779
4 PLC ±N/A		CAGE CODE		2212252
ANGLES ±N/A		DRAWING NO		114-13299
FINISH		WEIGHT		-
MATERIAL		Customer Drawing		SCALE 2:1 SHEET 2 OF 2 REV 1