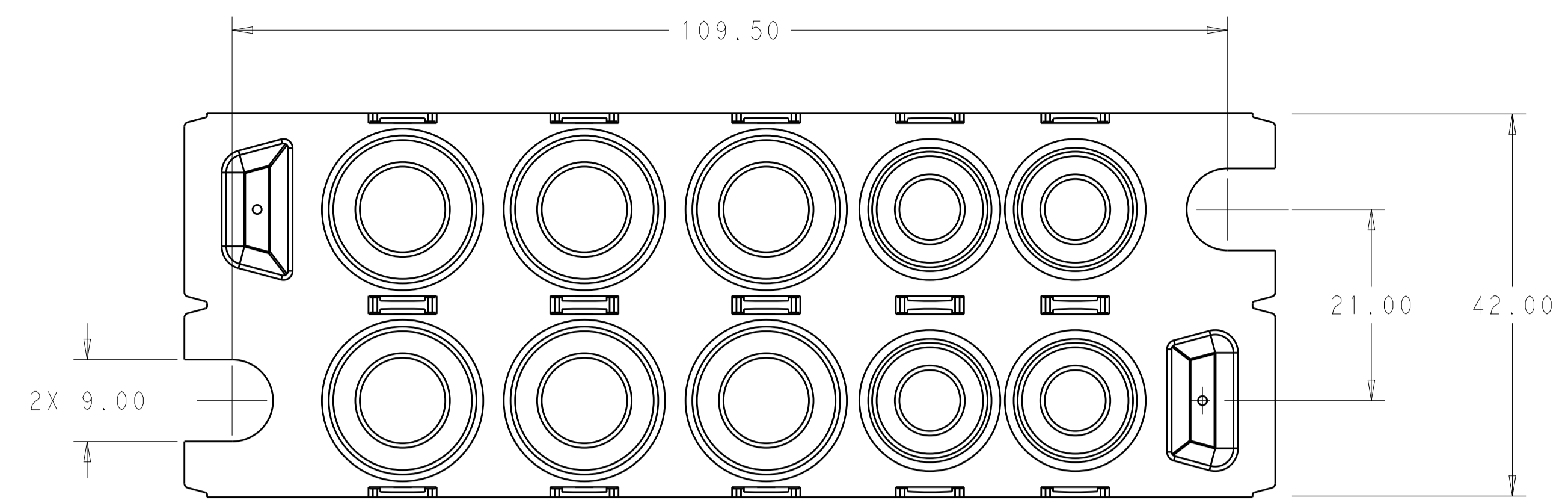
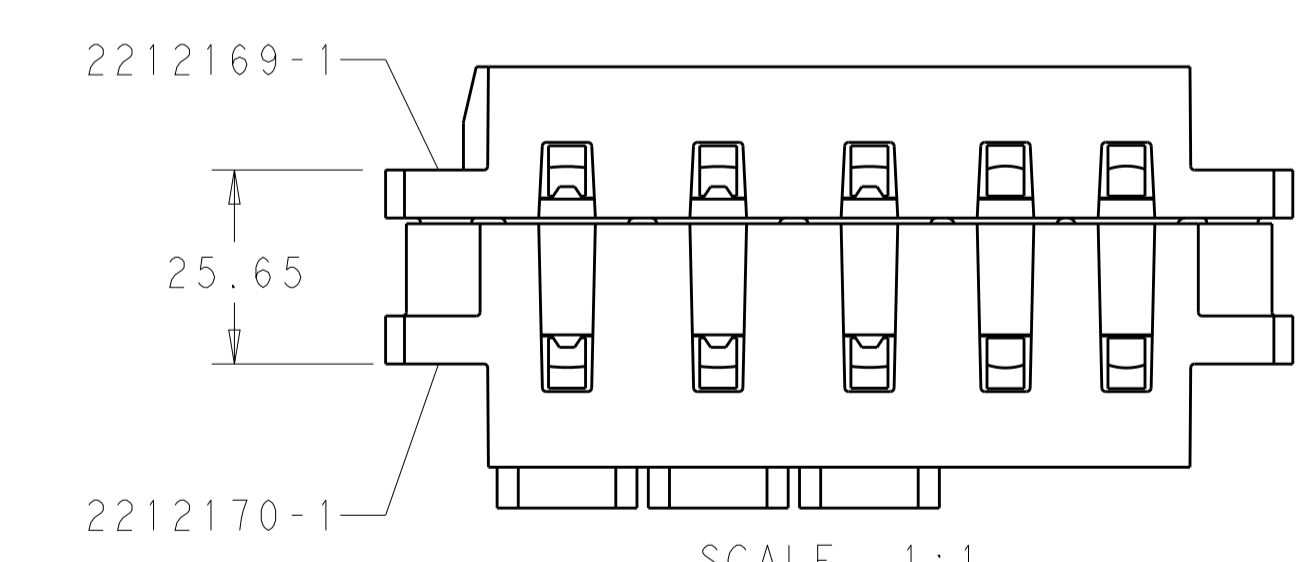
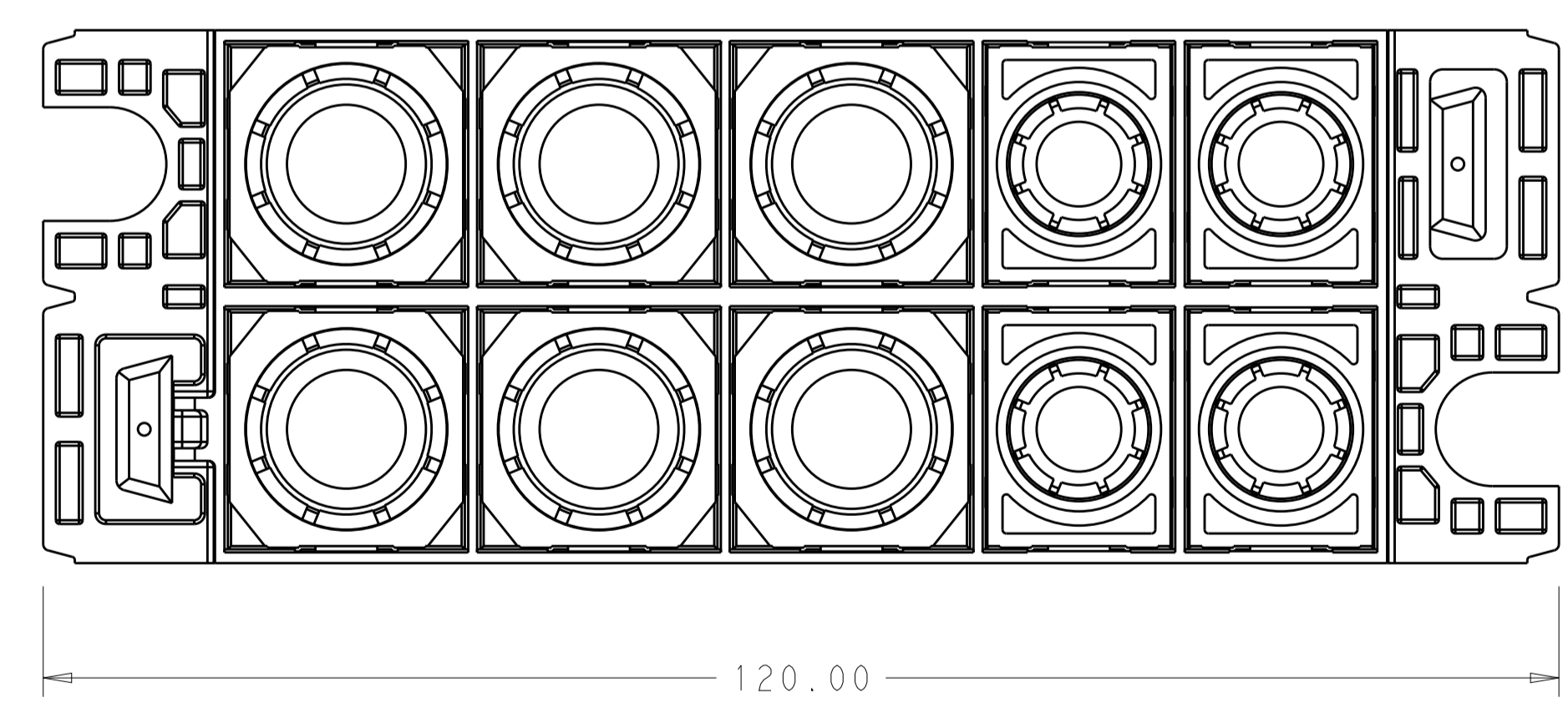
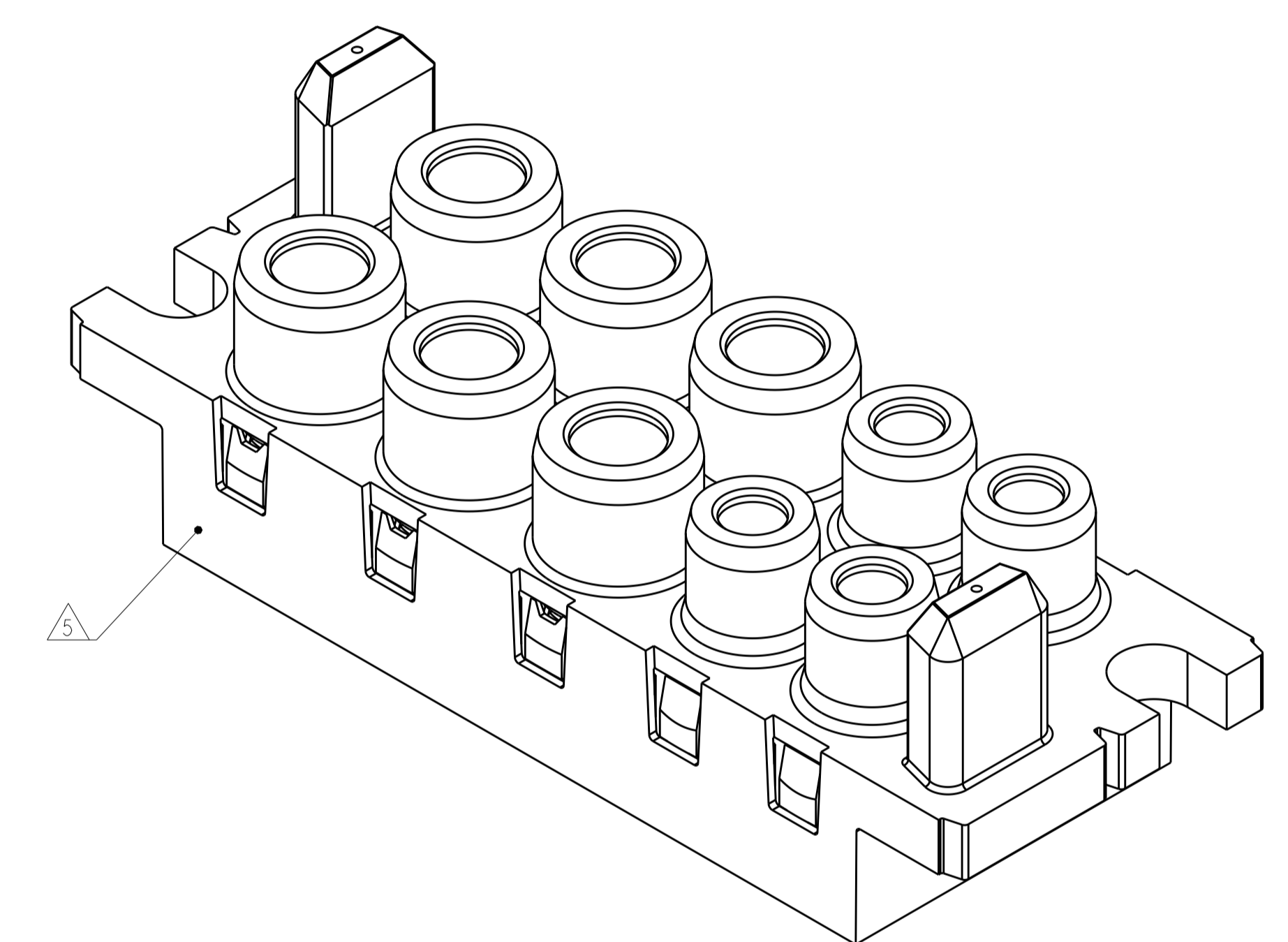
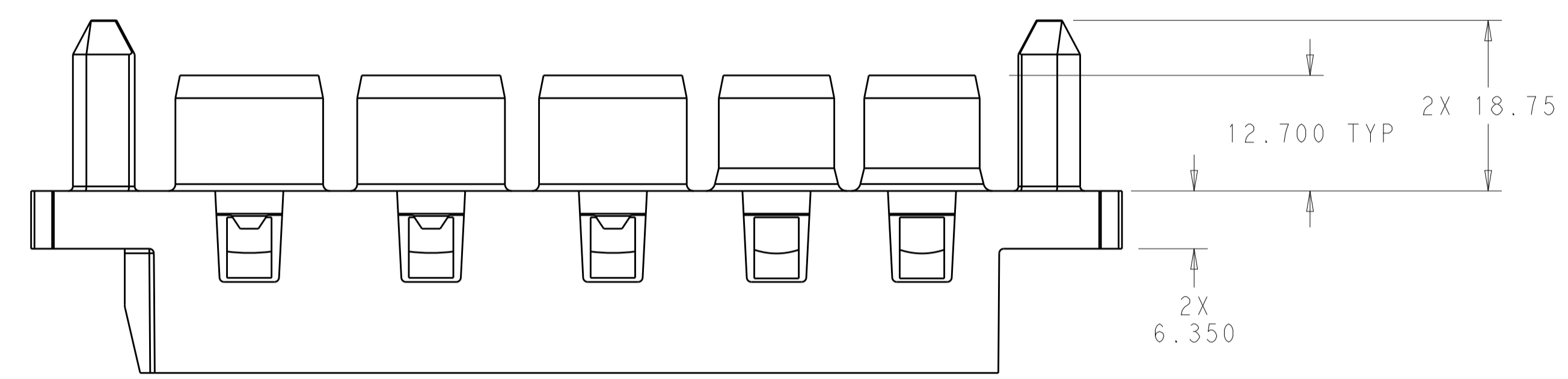
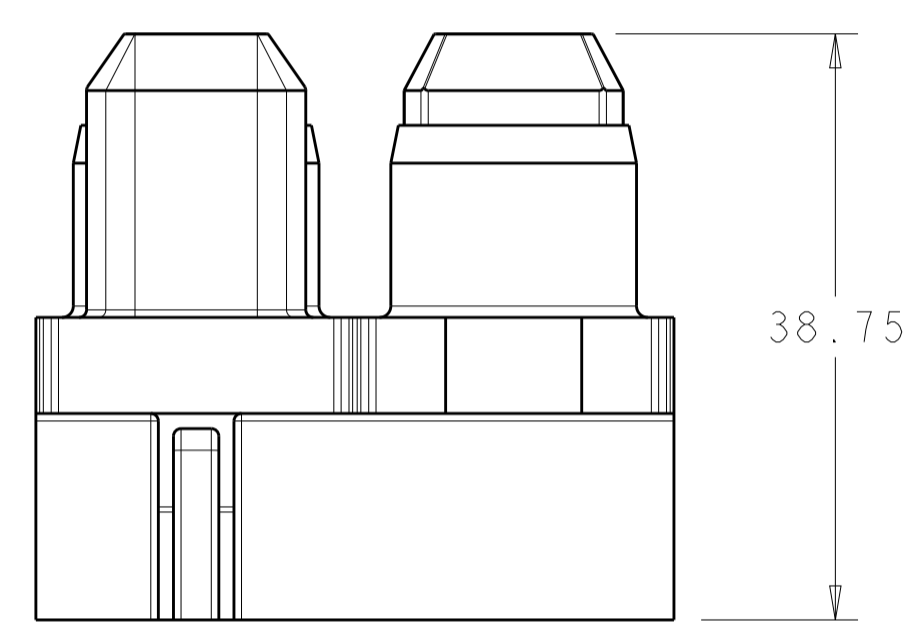


LOC		DIST		REVISIONS			
		P	LTM	DESCRIPTION	DATE	DWN	APVD
		A		INITIAL RELEASE	27FEB2018	OL	SZ



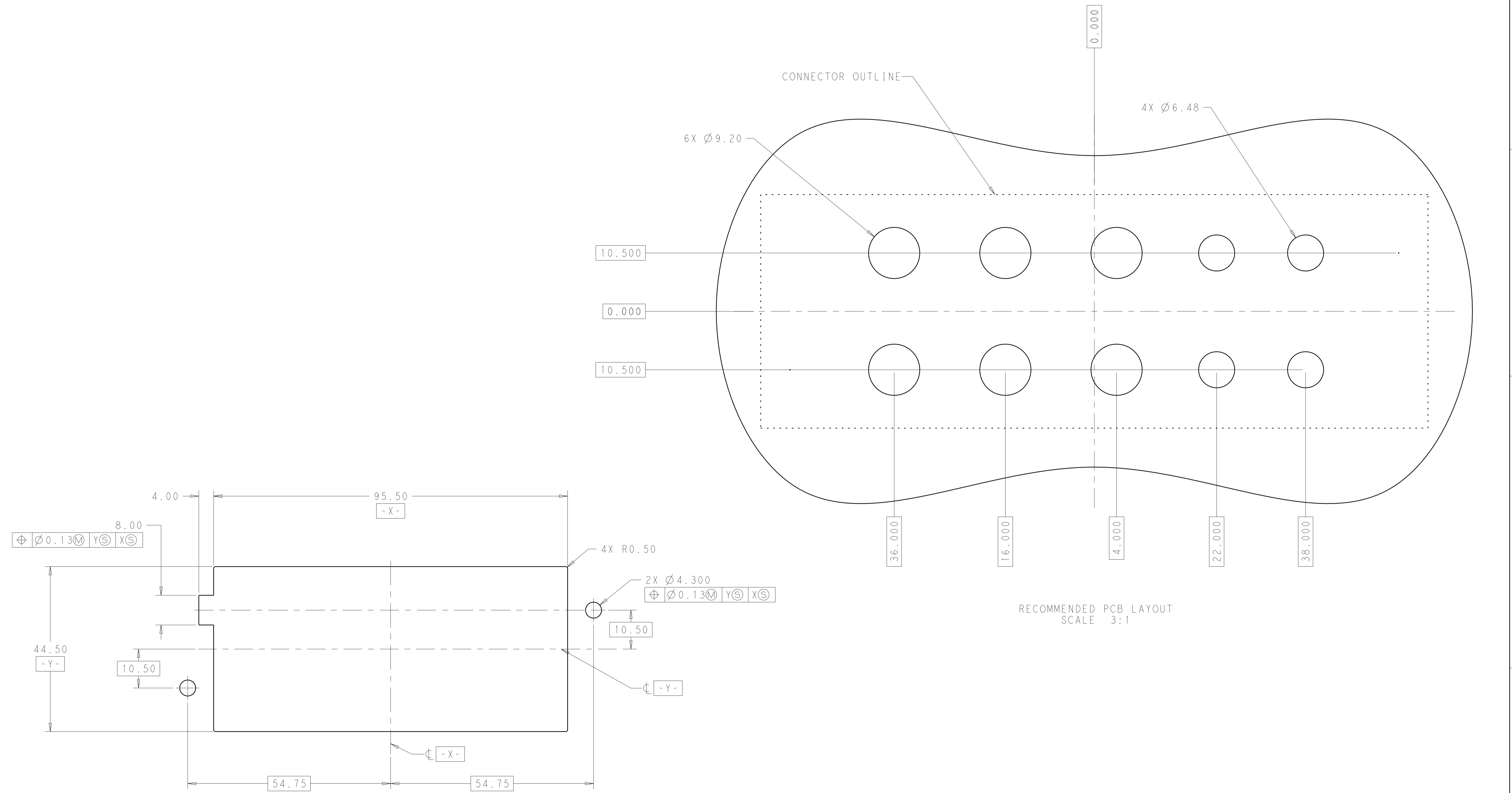
- △ HOUSING: THERMOPLASTIC, COLOR BLACK, FLAMMABILITY RATING UL 94 V-0.
- △ THIS ASSEMBLY TO MATE WITH TEC PART NUMBER 2212170-1.
- 3. RECOMMENDED SHOULDER SCREW: 2212056, FLOAT MOUNT
- △ RECOMMENDED PANEL CUTOUT FOR FRONT PANEL MOUNT APPLICATION. RECOMMENDED PANEL THICKNESS 1.5 TO 1.78.
- △ DATE CODE AND PART NUMBER IN APPROXIMATE AREA SHOWN.



SCALE 1:1  
 FULLY MATED ASSEMBLIES △

CONNECTOR, SOCKET, FORGE 6x#0,4x#4,0x#8,0x#12,0x#22,		2212169-1	
DESCRIPTION		PART NO.	
THIS DRAWING IS A CONTROLLED DOCUMENT.		DWN: R. IRENA 19NOV2014	
DIMENSIONS: mm		CHK: E. WICKES 19NOV2014	
TOLERANCES UNLESS OTHERWISE SPECIFIED:		APVD: S. STRICKLER 19NOV2014	
0 PLC ±N/A		NAME: S. STRICKLER	
1 PLC ±N/A		PRODUCT SPEC: 108-2323	
2 PLC ±0.25		APPLICATION SPEC: 114-13299	
3 PLC ±0.13		SIZE: 114-13299	
4 PLC ±N/A		CAGE CODE: A100779	
ANGLES ±N/A		DRAWING NO: C=2212169	
FINISH: *		RESTRICTED TO: -	
MATERIAL: △		WEIGHT: -	
CUSTOMER DRAWING		SCALE: 2:1 SHEET 1 OF 2 REV A	

LOC		DIST		REVISIONS			
P	LTN	DESCRIPTION	DATE	DMN	APVD		
-	-	SEE SHEET 1	-	-	-		



THIS DRAWING IS A CONTROLLED DOCUMENT.		DMN R. IREDA 19NOV2014	TE Connectivity										
DIMENSIONS: mm		CHK E. WICKES 19NOV2014											
TOLERANCES UNLESS OTHERWISE SPECIFIED:		APVD S. STRICKLER 19NOV2014	NAME CONNECTOR, SOCKET, FORGE 6x#0, 4x#4, 0x#8, 0x#12, 0x#22 CONFIGURATION										
<table border="1"> <tr> <td>0 PLC</td> <td>±N/A</td> </tr> <tr> <td>1 PLC</td> <td>±N/A</td> </tr> <tr> <td>2 PLC</td> <td>±0.25</td> </tr> <tr> <td>3 PLC</td> <td>±0.13</td> </tr> <tr> <td>4 PLC</td> <td>±N/A</td> </tr> </table>		0 PLC	±N/A	1 PLC	±N/A	2 PLC	±0.25	3 PLC	±0.13	4 PLC	±N/A	PRODUCT SPEC 108-2323	SIZE A1
0 PLC	±N/A												
1 PLC	±N/A												
2 PLC	±0.25												
3 PLC	±0.13												
4 PLC	±N/A												
MATERIAL		APPLICATION SPEC 114-13299	CAGE CODE A100779										
FINISH		WEIGHT	DRAWING NO C=2212169										
		CUSTOMER DRAWING	SCALE 2:1 SHEET 2 OF 2 REV A										