

| REVISIONS | | | | | |
|-----------|-----------|---------------------------|----|------|-------|
| REV | DATE | DESCRIPTION | BY | CHKD | APP'D |
| AD4 | 28APR2021 | REVISED PER ECN-21-102997 | RZ | | WK |

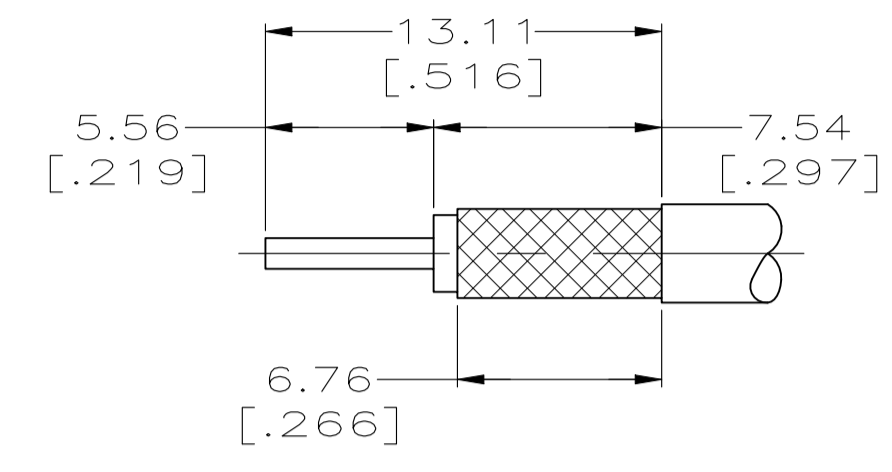
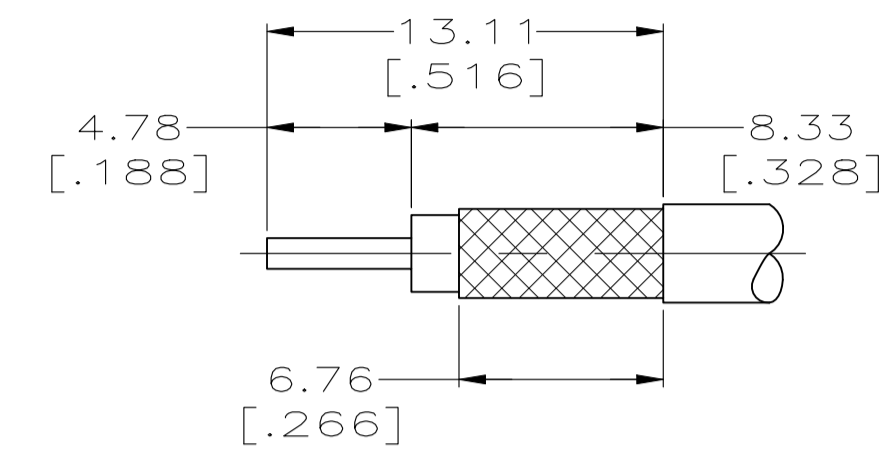
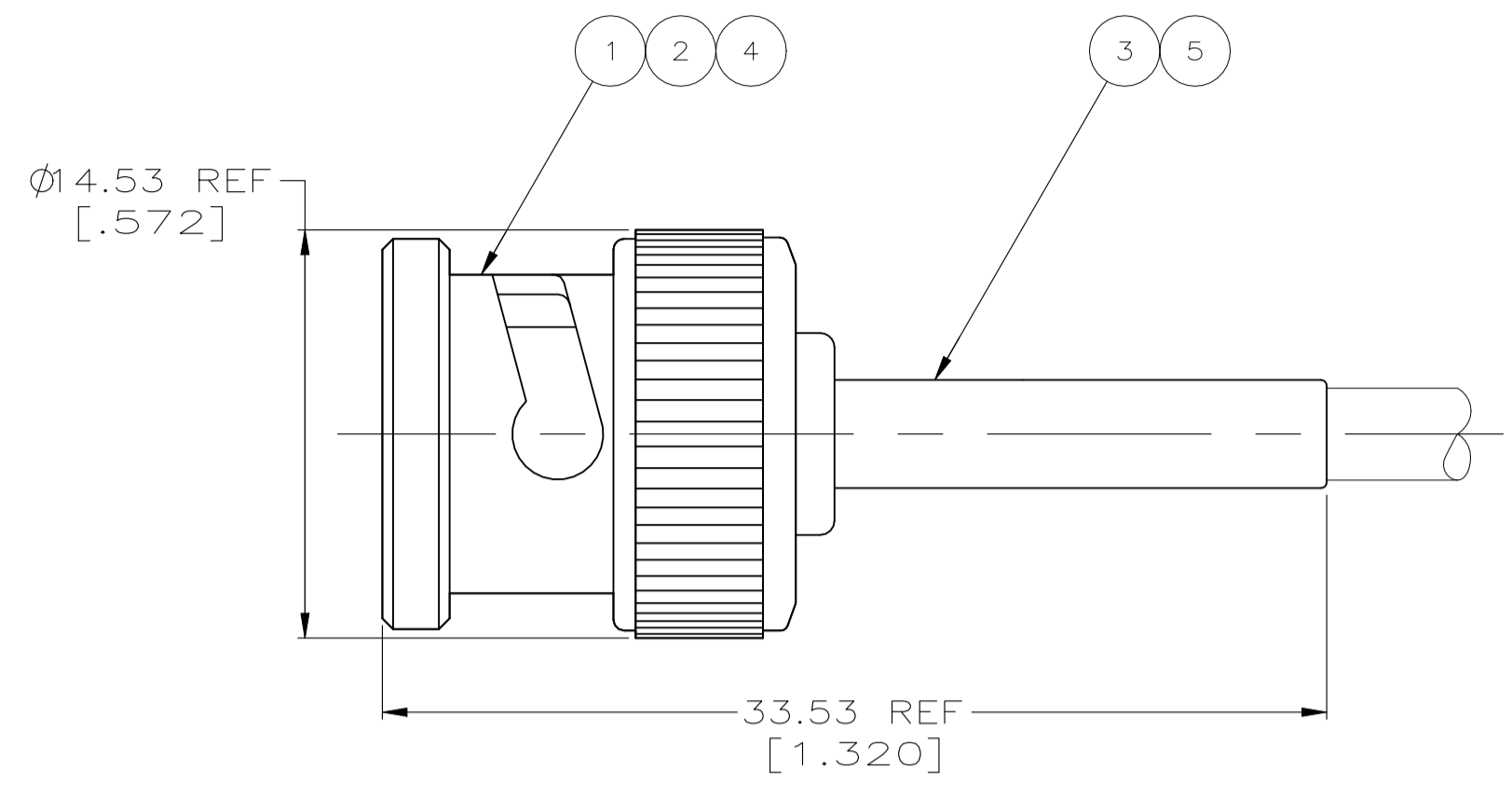


FIGURE 1
FIGURE 2
RECOMMENDED STRIP LENGTH

- ① CABLE USED WITHOUT SPACER
- ② CABLE USED WITH SPACER
- 3. SEE I.S. 9021
- 4. PARTS PACKAGED UNASSEMBLED
- ⑤ USE AMP HAND TOOL: 220190-1
- ⑥ SPECIAL PACKAGING: INDIVIDUALLY PACKAGED IN PRE-PRINTED BAG WITH SPECIAL GRAPHICS
- ⑦ CONNECTOR INDIVIDUALLY PACKAGED
- ⑧ BULK PACKAGE
- ⑨ RG-188/U, 316/U TYPE DOUBLE BRAID AND JIS CABLES 1.5D-2V, 1.5D-XV & 1.5D-XVS
- ⑩ SPECIAL PACKAGING: BULK PACKAGE 25 PIECES

| REMARKS | FOR USE WITH CABLE | FERRULE | CONTACT | DIE SET | STRIP LENGTH | TUBING QTY=1 | SPACER QTY=1 | FERRULE QTY=1 | CONTACT, PLUG QTY=1 | PLUG ASSEMBLY QTY=1 | PART NUMBER | |
|---------------------------|--------------------|-------------------------------|-------------|-------------|--------------|--------------|--------------|---------------|---------------------|---------------------|-------------|------------|
| OBSOLETE | ⑥ | RG-59/U, 59A/U, 59B/U | 6.48 [.255] | 1.73 [.068] | 58465-1 | FIG 1 | - | 227423-1 | 9-221132-1 | 222246-6 | 413636-2 | 9-221128-9 |
| OBSOLETE | ⑥ | BELDEN 9907, 89907 & RG-141/U | 5.41 [.213] | 1.73 [.068] | 58465-1 | FIG 1 | - | - | 9-221132-0 | 1-222246-6 | 413636-1 | 9-221128-8 |
| OBSOLETE | ⑥ | RG-180/U, 195/U | 4.52 [.178] | 1.73 [.068] | 58465-3 | FIG 1 | - | - | 9-413658-1 | 1-222246-3 | 413636-3 | 9-221128-7 |
| | ⑥ | RG-179/U, 187/U | 4.52 [.178] | 1.73 [.068] | 58465-3 | FIG 1 | 227194-1 | - | 9-413658-0 | 1-222246-3 | 413636-3 | 9-221128-6 |
| | ⑥ | RG-174/U, 188/U, 316/U | 4.52 [.178] | 1.73 [.068] | 58465-3 | FIG 1 | 227194-1 | - | 9-413658-0 | 1-222246-0 | 413636-3 | 9-221128-5 |
| OBSOLETE | ⑥ | RG-58/U, 58A/U, 58B/U, 58C/U | 5.41 [.213] | 1.73 [.068] | 58465-1 | FIG 1 | - | - | 9-221132-0 | 222246-5 | 413636-1 | 9-221128-4 |
| OBSOLETE | ⑦ | BELDEN 8281 | 8.23 [.324] | 1.73 [.068] | 58465-2 | FIG 1 | - | - | 9-221132-2 | 222246-2 | 413636-4 | 9-221128-3 |
| OBSOLETE | ① ② ③ | RG-62/U, 62A/U, 62B/U | 6.48 [.255] | 1.73 [.068] | 58465-1 | FIG 2 | - | 227423-1 | 9-221132-1 | 222246-4 | 413636-2 | 9-221128-2 |
| OBSOLETE | ① ② ③ | RG-59/U, 59A/U, 59B/U | 6.48 [.255] | 1.73 [.068] | 58465-1 | FIG 1 | - | - | 9-221132-0 | 222246-2 | 413636-1 | 9-221128-1 |
| OBSOLETE | ⑥ | RG-58/U, 58A/U, 58B/U, 58C/U | 5.41 [.213] | 1.73 [.068] | 58465-1 | FIG 1 | - | - | 9-221132-0 | 222246-2 | 413636-1 | 9-221128-0 |
| OBSOLETE | ⑥ | BELDEN 1167A | 4.52 [.178] | 1.73 [.068] | 58465-3 | FIG 1 | - | - | 9-413658-1 | 1-222246-0 | 413636-3 | 3-221128-4 |
| OBSOLETE | ⑩ | JIS CABLE 3D-2V | 4.52 [.178] | 1.73 [.068] | 58465-3 | FIG 1 | 227194-1 | - | 9-413658-2 | 1-222246-0 | 413636-3 | 3-221128-2 |
| SUPERSEDED BY 2-221128-5 | ⑥ | RG-180/U, 195/U | 4.52 [.178] | 1.73 [.068] | 58465-3 | FIG 1 | - | - | 8-221132-9 | 1-222246-6 | 413636-6 | 3-221128-1 |
| OBSOLETE | - | ⑥ | 4.52 [.178] | 1.73 [.068] | 58465-3 | FIG 1 | 227194-1 | - | 9-413658-1 | 1-222246-3 | 413636-3 | 3-221128-0 |
| | ⑥ | BELDEN 9907, 89907 & RG-141/U | 5.41 [.213] | 1.73 [.068] | 58465-1 | FIG 1 | - | - | 9-221132-0 | 1-222246-6 | 413636-1 | 2-221128-7 |
| OBSOLETE | ⑥ | RG-180/U, 195/U | 4.52 [.178] | 1.73 [.068] | 58465-3 | FIG 1 | - | - | 9-413658-1 | 1-222246-3 | 413636-3 | 2-221128-5 |
| | ⑥ | RG-179/U, 187/U | 4.52 [.178] | 1.73 [.068] | 58465-3 | FIG 1 | 227194-1 | - | 9-413658-0 | 1-222246-3 | 413636-3 | 2-221128-3 |
| SUPERSEDED BY 2-5221128-1 | ⑥ | RG-174/U, 188/U, 316/U | 4.52 [.178] | 1.73 [.068] | 58465-3 | FIG 1 | 227194-1 | - | 9-413658-0 | 1-222246-0 | 413636-3 | 2-221128-1 |
| OBSOLETE | ⑥ | RG-58/U, 58A/U, 58B/U, 58C/U | 5.41 [.213] | 1.73 [.068] | 58465-1 | FIG 1 | - | - | 9-221132-0 | 222246-5 | 413636-1 | 2-221128-0 |
| SUPERSEDED BY 1-221128-2 | ⑥ | BELDEN 8281 | 8.23 [.324] | 1.73 [.068] | 58465-2 | FIG 1 | - | - | 9-221132-2 | 222246-5 | 413636-4 | 1-221128-9 |
| | ⑥ | RG-59/U, 59A/U, 59B/U | 6.48 [.255] | 1.73 [.068] | 58465-1 | FIG 1 | - | 227423-1 | 9-221132-1 | 222246-6 | 413636-2 | 1-221128-8 |
| OBSOLETE | - | BELDEN 9266 | 6.48 [.255] | 1.73 [.068] | 58465-1 | FIG 1 | - | - | 9-221132-1 | 222246-2 | 413636-2 | 1-221128-7 |
| SUPERSEDED BY 1-221128-2 | ⑥ | BELDEN 9209 | 6.48 [.255] | 1.73 [.068] | 58465-1 | FIG 1 | - | - | 9-221132-1 | 222246-6 | 413636-5 | 1-221128-6 |
| | ⑥ | BELDEN 8281 | 8.23 [.324] | 1.73 [.068] | 58465-2 | FIG 1 | - | - | 9-221132-2 | 222246-5 | 413636-4 | 1-221128-5 |
| OBSOLETE | ① ② ③ | RG-62/U, 62A/U, 62B/U | 6.48 [.255] | 1.73 [.068] | 58465-1 | FIG 2 | - | 227423-1 | 9-221132-1 | 222246-6 | 413636-2 | 1-221128-4 |
| OBSOLETE | ① ② ③ | RG-59/U, 59A/U, 59B/U | 6.48 [.255] | 1.73 [.068] | 58465-1 | FIG 1 | - | - | 9-221132-0 | 222246-5 | 413636-1 | 1-221128-3 |
| OBSOLETE | ⑥ | RG-58/U, 58A/U, 58B/U, 58C/U | 5.41 [.213] | 1.73 [.068] | 58465-1 | FIG 1 | - | - | 9-221132-0 | 222246-5 | 413636-1 | 1-221128-3 |
| OBSOLETE | ⑥ | BELDEN 8281 | 8.23 [.324] | 1.73 [.068] | 58465-2 | FIG 1 | - | - | 9-221132-2 | 222246-2 | 413636-4 | 1-221128-2 |
| | ① ② ③ | RG-62/U, 62A/U, 62B/U | 6.48 [.255] | 1.73 [.068] | 58465-1 | FIG 2 | - | 227423-1 | 9-221132-1 | 222246-4 | 413636-2 | 1-221128-1 |
| | ⑥ | RG-59/U, 59A/U, 59B/U | 6.48 [.255] | 1.73 [.068] | 58465-1 | FIG 1 | - | - | 9-221132-0 | 222246-2 | 413636-1 | 1-221128-0 |
| OBSOLETE | - | BELDEN 8281 | 8.23 [.324] | 1.73 [.068] | 58465-2 | FIG 1 | - | - | 9-221132-2 | 222246-7 | 413636-4 | 221128-9 |
| OBSOLETE | ① ② | RG-62/U, 62A/U, 62B/U | 6.48 [.255] | 1.73 [.068] | 58465-1 | FIG 2 | - | 227423-1 | 9-221132-1 | 222246-8 | 413636-2 | 221128-8 |
| OBSOLETE | - | RG-59/U, 59A/U, 59B/U | 6.48 [.255] | 1.73 [.068] | 58465-1 | FIG 1 | - | - | 9-221132-0 | 222246-7 | 413636-1 | 221128-7 |
| SUPERSEDED BY 221128-3 | - | BELDEN 8281 | 8.23 [.324] | 1.73 [.068] | 58465-2 | FIG 1 | - | - | 9-221132-2 | 222246-5 | 413636-4 | 221128-6 |
| SUPERSEDED BY 221128-2 | ① ② | RG-62/U, 62A/U, 62B/U | 6.48 [.255] | 1.73 [.068] | 58465-1 | FIG 2 | - | 227423-1 | 9-221132-1 | 222246-6 | 413636-2 | 221128-5 |
| SUPERSEDED BY 221128-1 | - | RG-59/U, 59A/U, 59B/U | 6.48 [.255] | 1.73 [.068] | 58465-1 | FIG 1 | - | - | 9-221132-0 | 222246-5 | 413636-1 | 221128-4 |
| SUPERSEDED BY 221128-1 | - | RG-58/U, 58A/U, 58B/U, 58C/U | 5.41 [.213] | 1.73 [.068] | 58465-1 | FIG 1 | - | - | 9-221132-0 | 222246-5 | 413636-1 | 221128-4 |
| OBSOLETE | - | BELDEN 8281 | 8.23 [.324] | 1.73 [.068] | 58465-2 | FIG 1 | - | - | 9-221132-2 | 222246-2 | 413636-4 | 221128-3 |
| | ① ② | RG-62/U, 62A/U, 62B/U | 6.48 [.255] | 1.73 [.068] | 58465-1 | FIG 2 | - | 227423-1 | 9-221132-1 | 222246-4 | 413636-2 | 221128-2 |
| | - | RG-59/U, 59A/U, 59B/U | 6.48 [.255] | 1.73 [.068] | 58465-1 | FIG 1 | - | - | 9-221132-0 | 222246-2 | 413636-1 | 221128-1 |
| | - | RG-58/U, 58A/U, 58B/U, 58C/U | 5.41 [.213] | 1.73 [.068] | 58465-1 | FIG 1 | - | - | 9-221132-0 | 222246-2 | 413636-1 | 221128-1 |

THIS DRAWING IS A CONTROLLED DOCUMENT.

DIN M. E. COWHER 11-18-92
CHK 1-29-93

M. PHILLIPS 1-29-93

M. PHILLIPS 1-29-93

TE Connectivity

PLUG, COMMERCIAL BNC

APPROVALS: DIMENSIONS: mm [INCHES]; TOLERANCES UNLESS OTHERWISE SPECIFIED: 0. PLC ±; 1. PLC ±; 2. PLC ±; 3. PLC ± 0.41 [016]; 4. PLC ±; ANGLES ±.

APPLICATION SPEC: 408-9021

WEIGHT: 0.000000

CUSTOMER DRAWING

SCALE: 4:1

SHEET 1 of 1

REV AD4