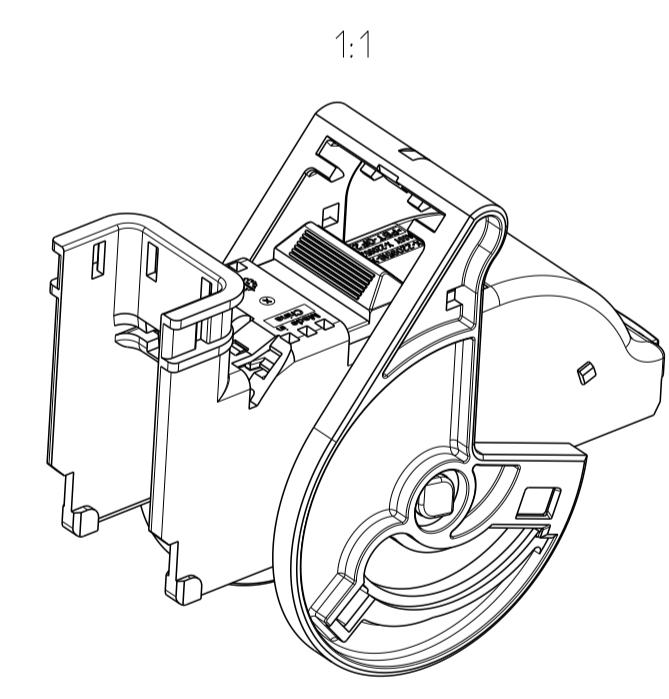
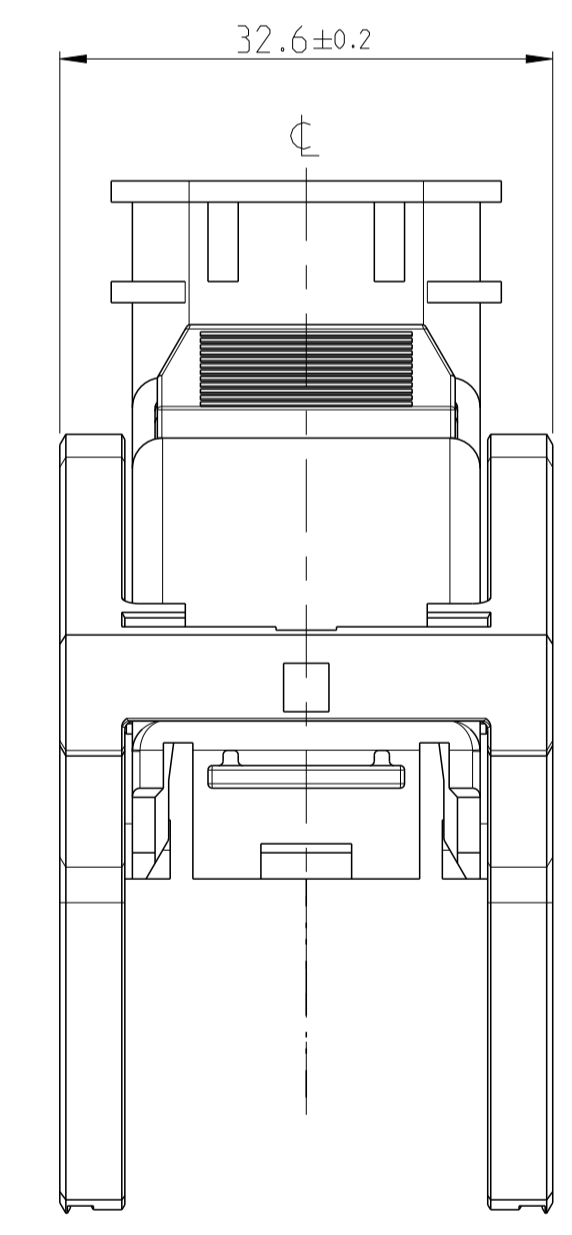
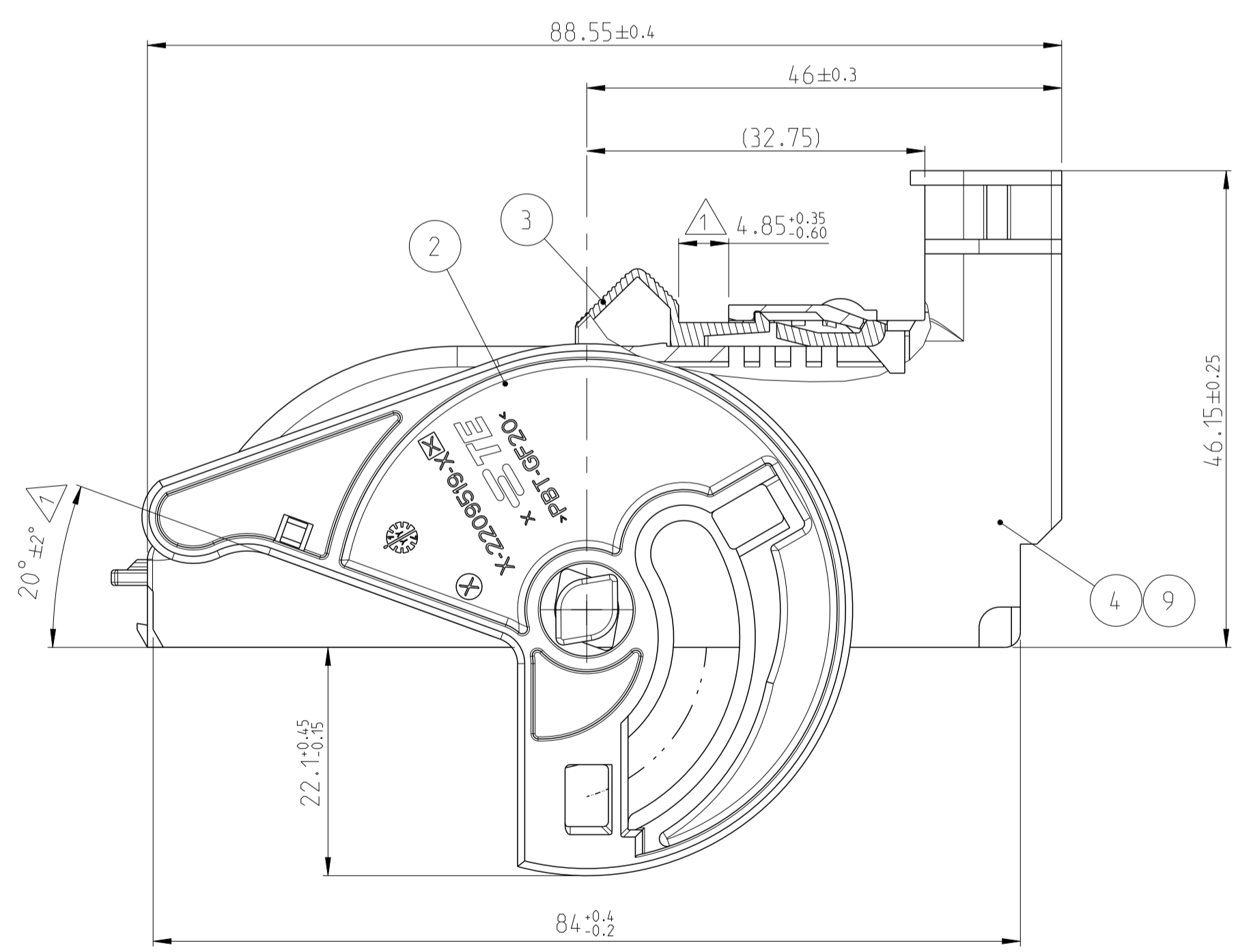
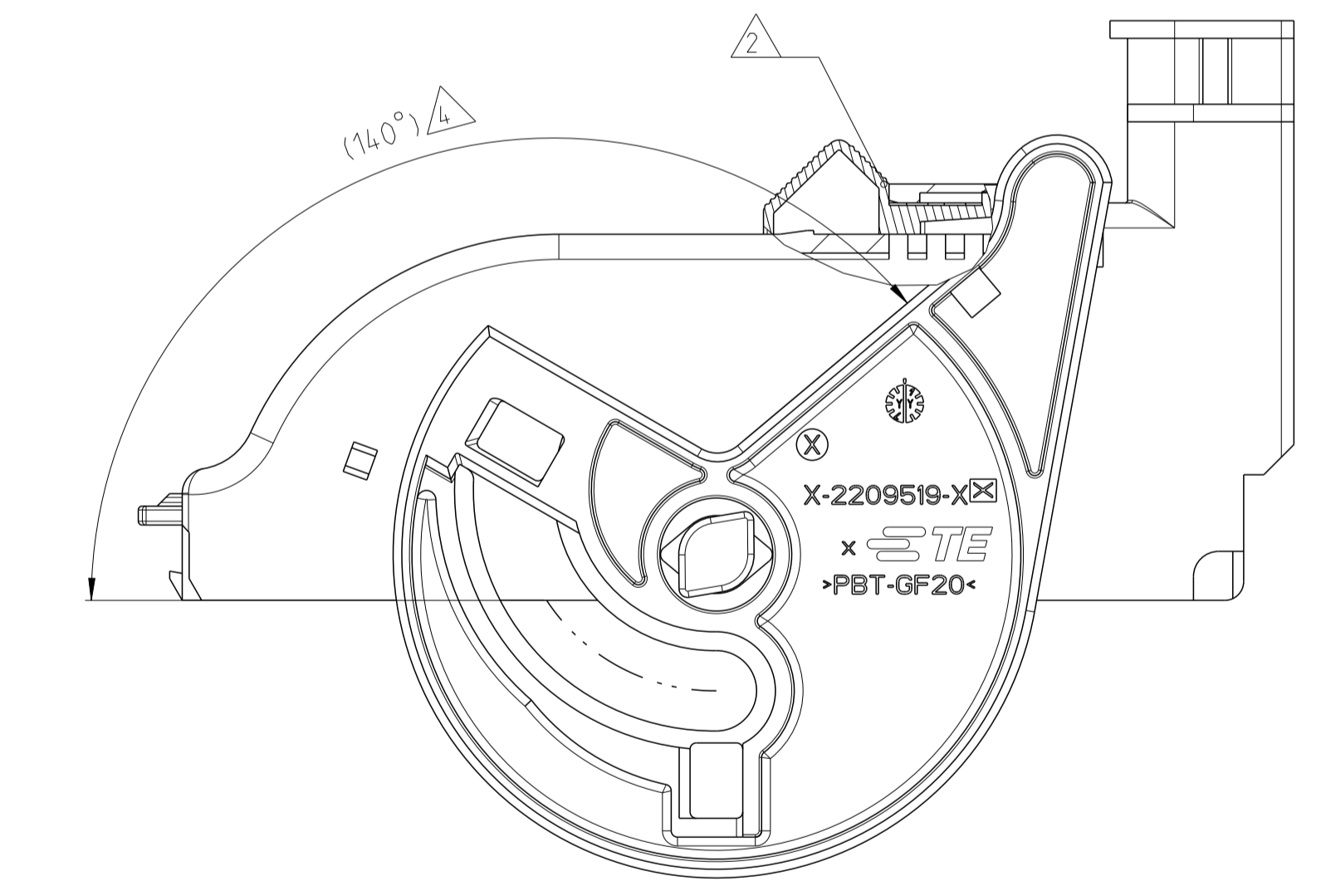
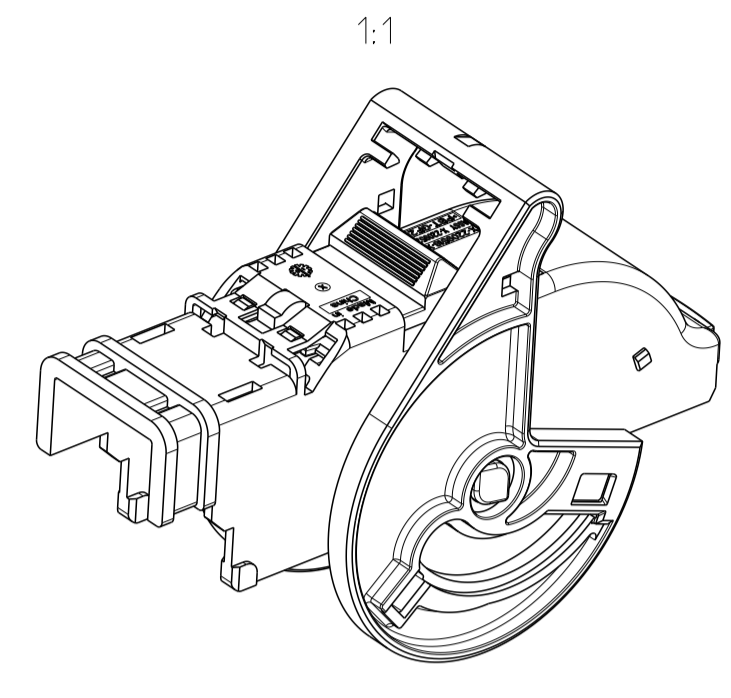
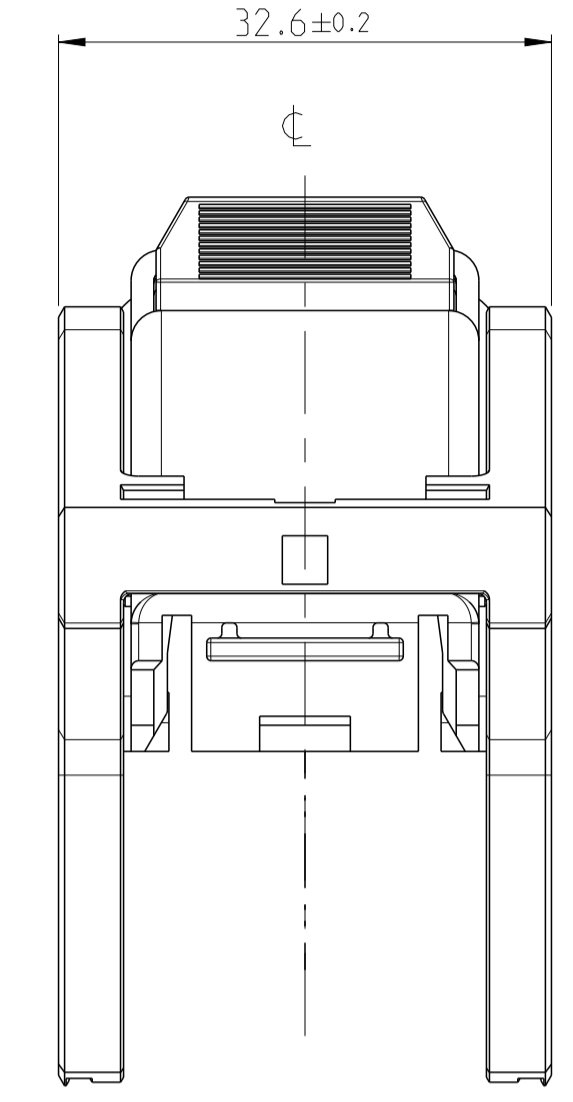
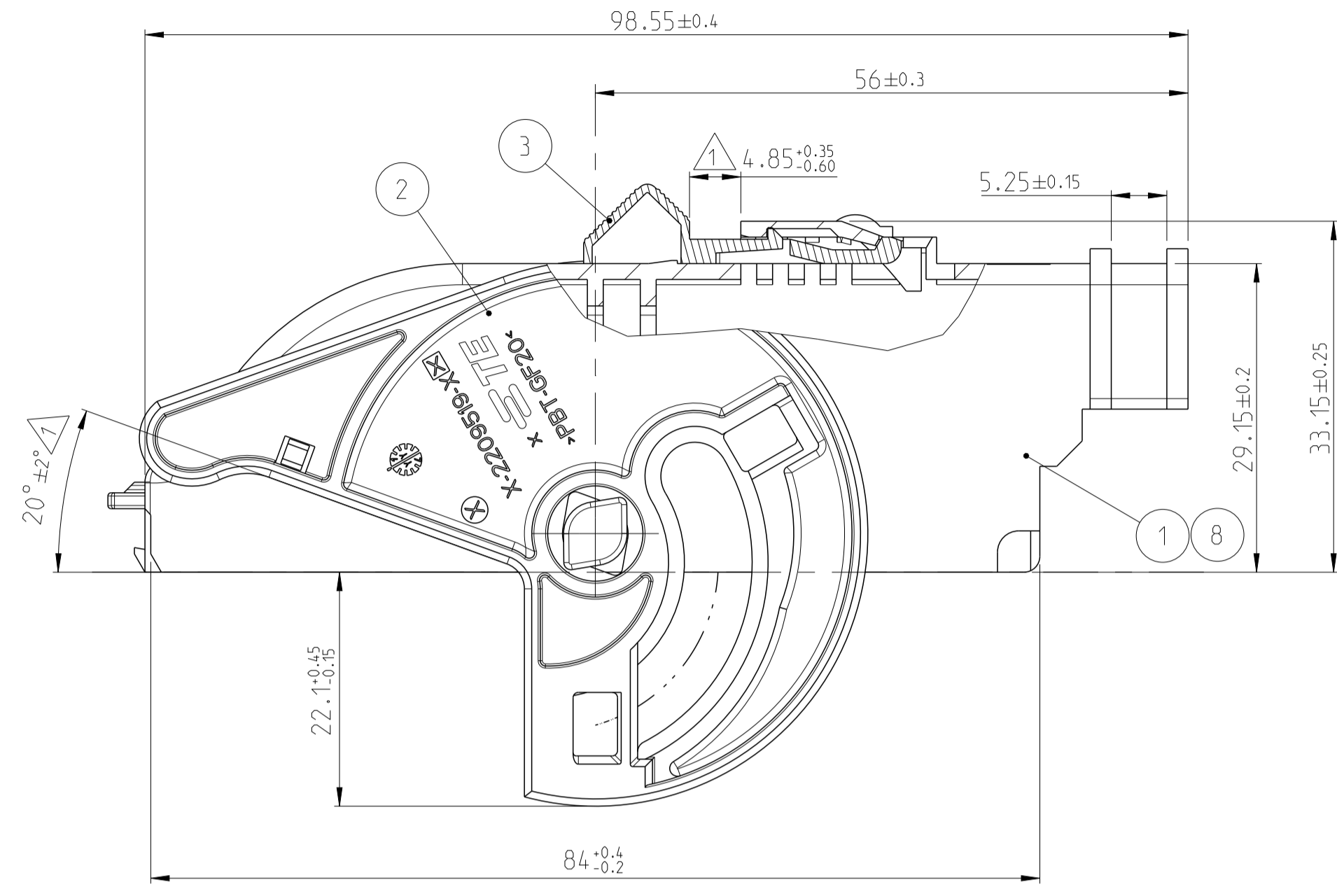
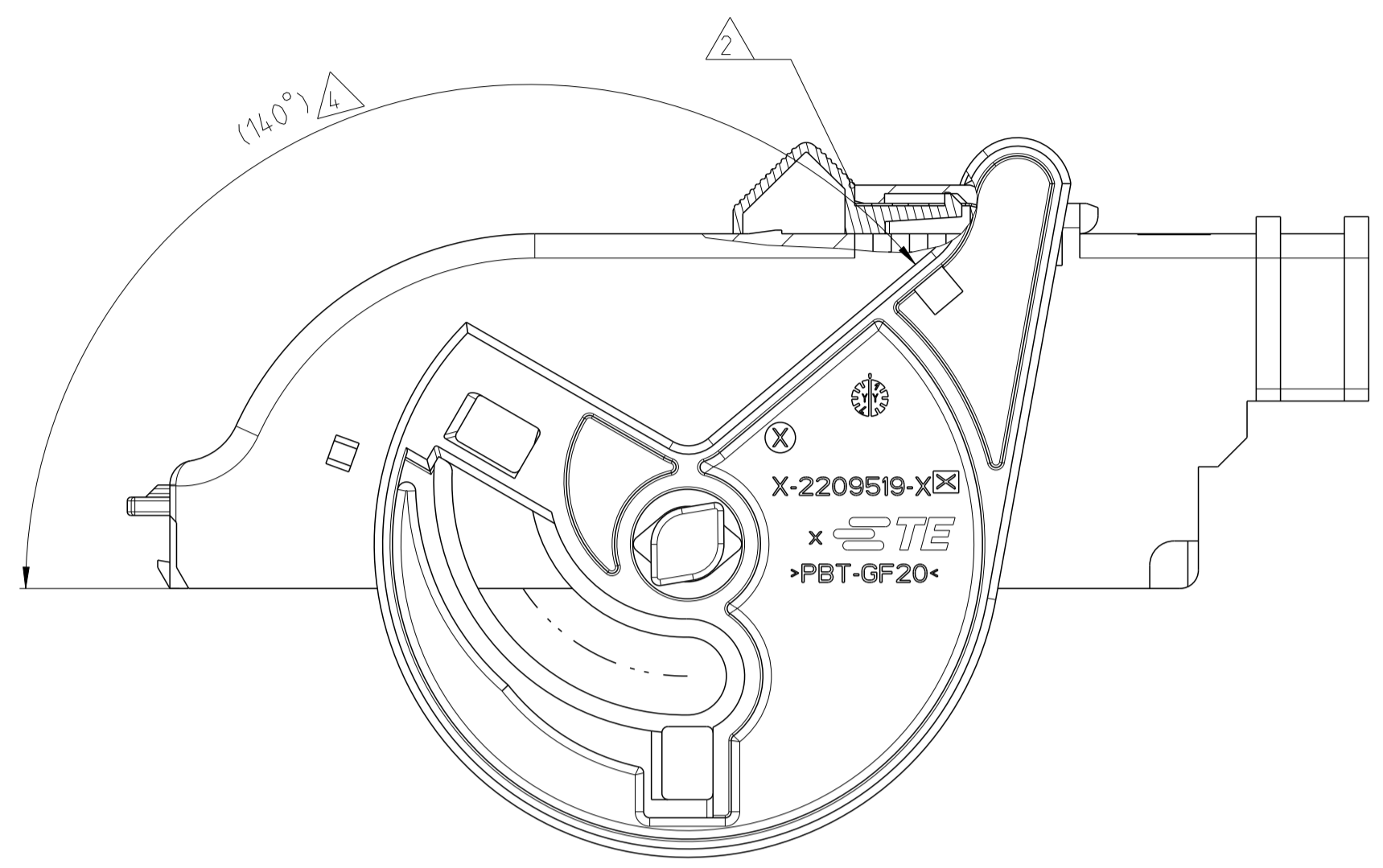


LOC	DIST	REVISIONS					
		P.	LTN	DESCRIPTION	DATE	DMN	APVD
ES	00	A6	ECR-18-000656	ADD SHEET 3	03JAN2018	T.D	I.Y
		A7	ECN-23-193761		10JAN2023	G.L	J.Z
		B	ECR-23-189035		09OCT 23	S.X	J.Z
		C	ECR-24-210935		03SEP 24	S.X	J.Z



- NOTES
- 1 DELIVERY CONDITION: LEVER (2) IN PRELOCKED POSITION
CPA (3) IN PRELOCKED POSITION
 - 2 CPA END LOCK POSITION
 - 3 LEVER MUST ROTATE SMOOTHLY UNTIL LOCKING
 - 4 LEVER END LOCK POSITION
 - 5 PACKAGING: POSITION WAY IN CARDBOX
 - 6 2209521 USED WITH TE: 2209520 (HSG ASSY)
 - 7 *2209521* IS SUZHOU VERSION OF *2112833*
BOTH HAVE THE SIMILAR PERFORMANCE.

0-2209521-1/2 SEE SHEET 1/3
 2-2209521-1/2 SEE SHEET 1/3

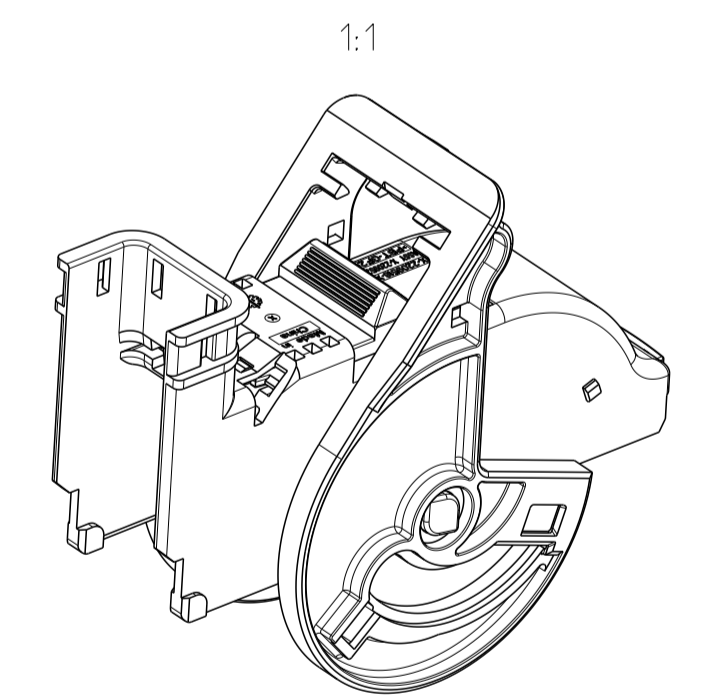
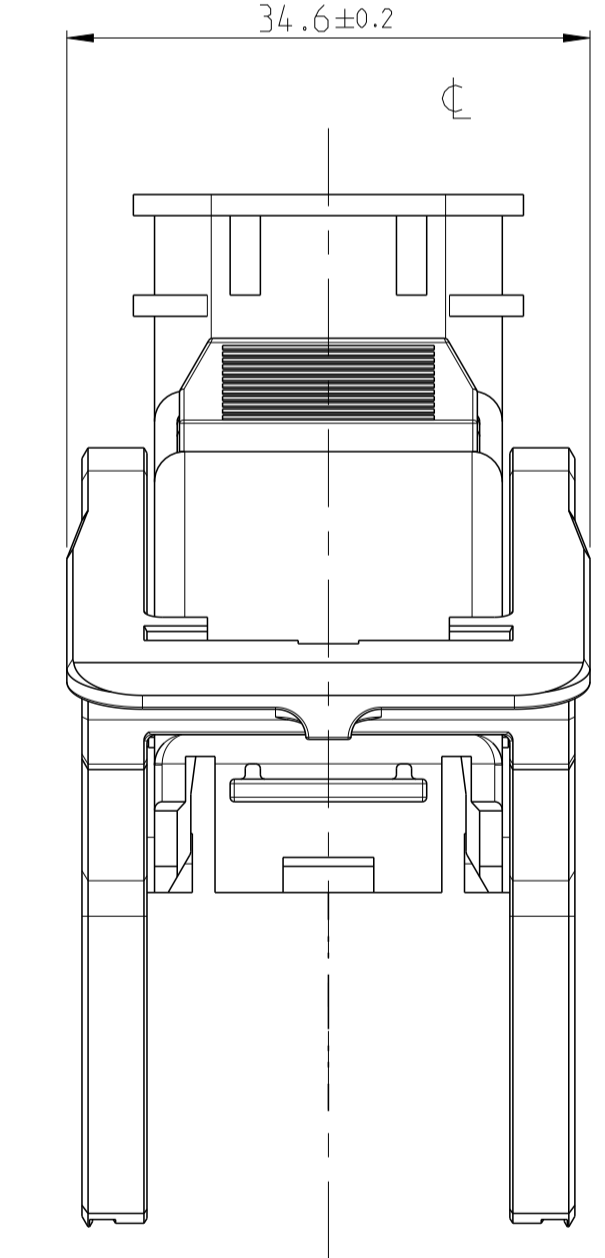
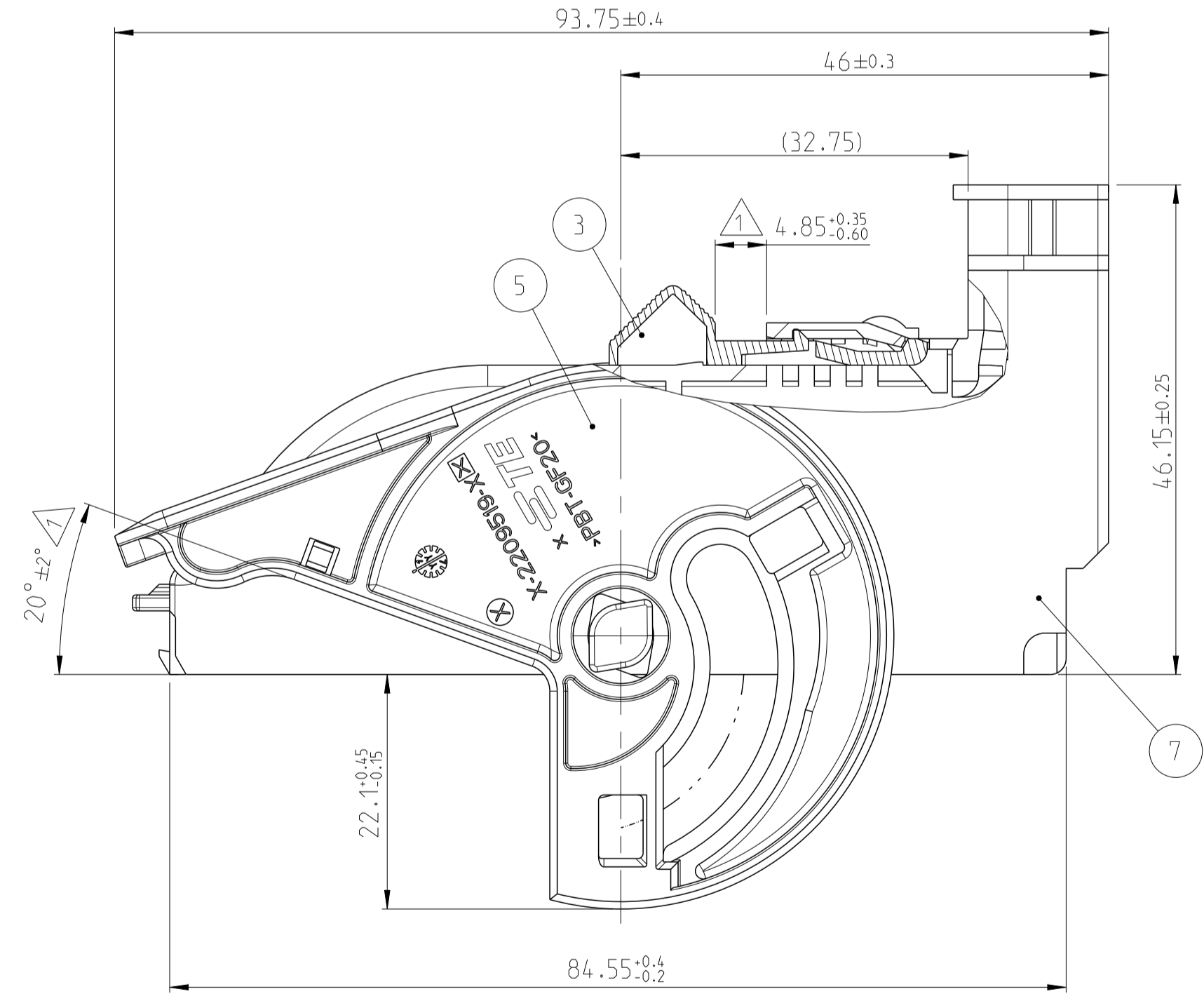
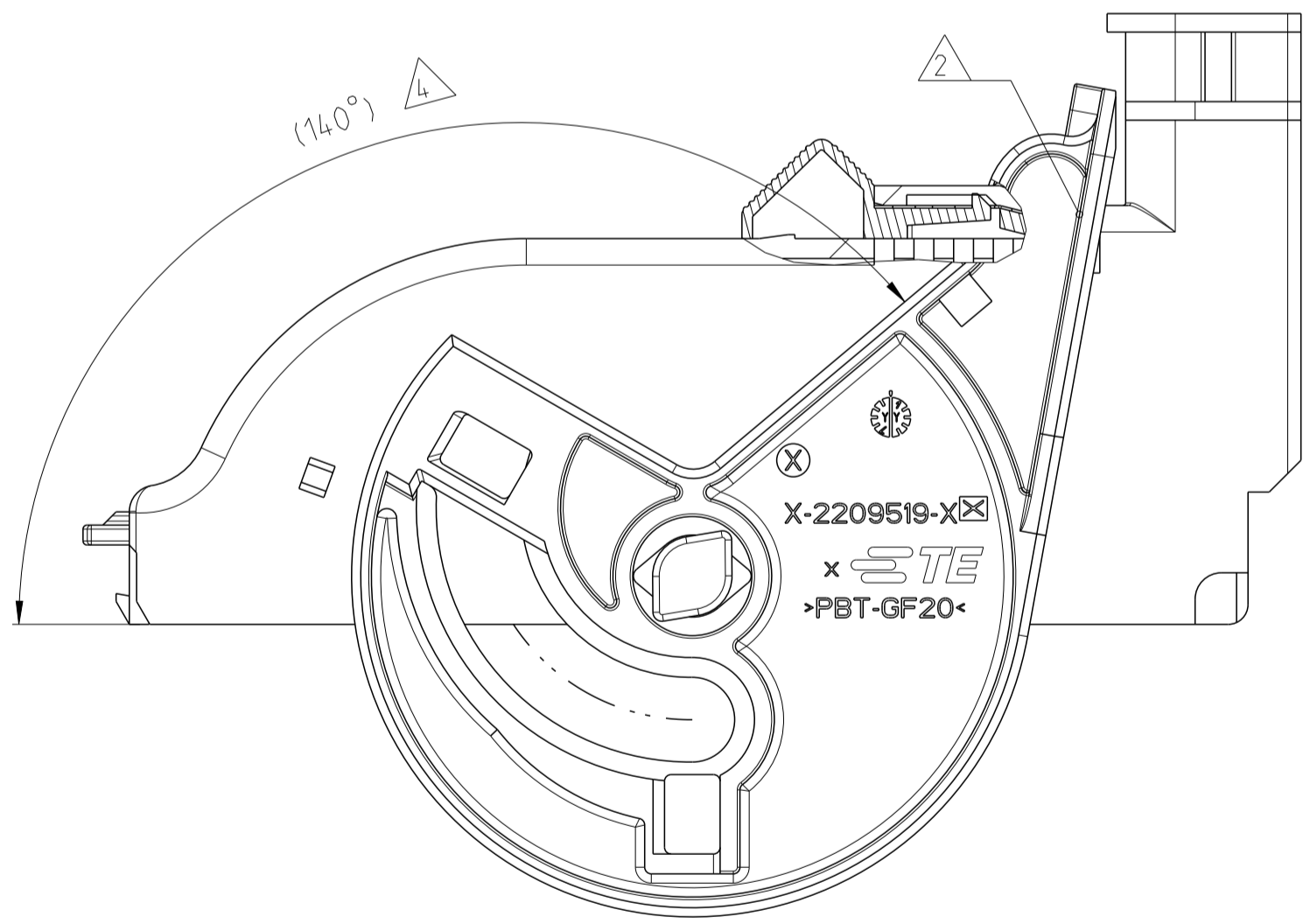
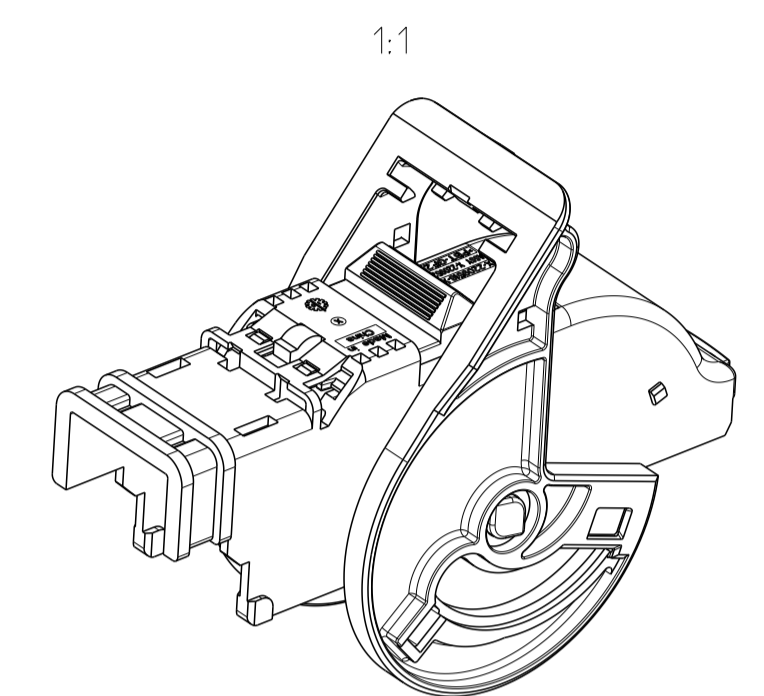
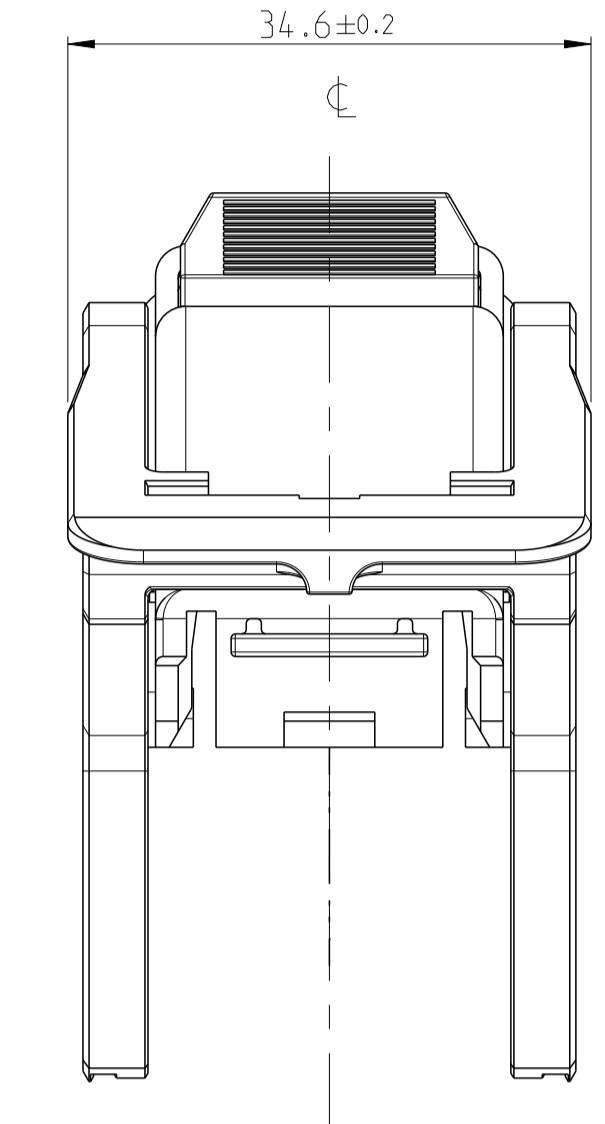
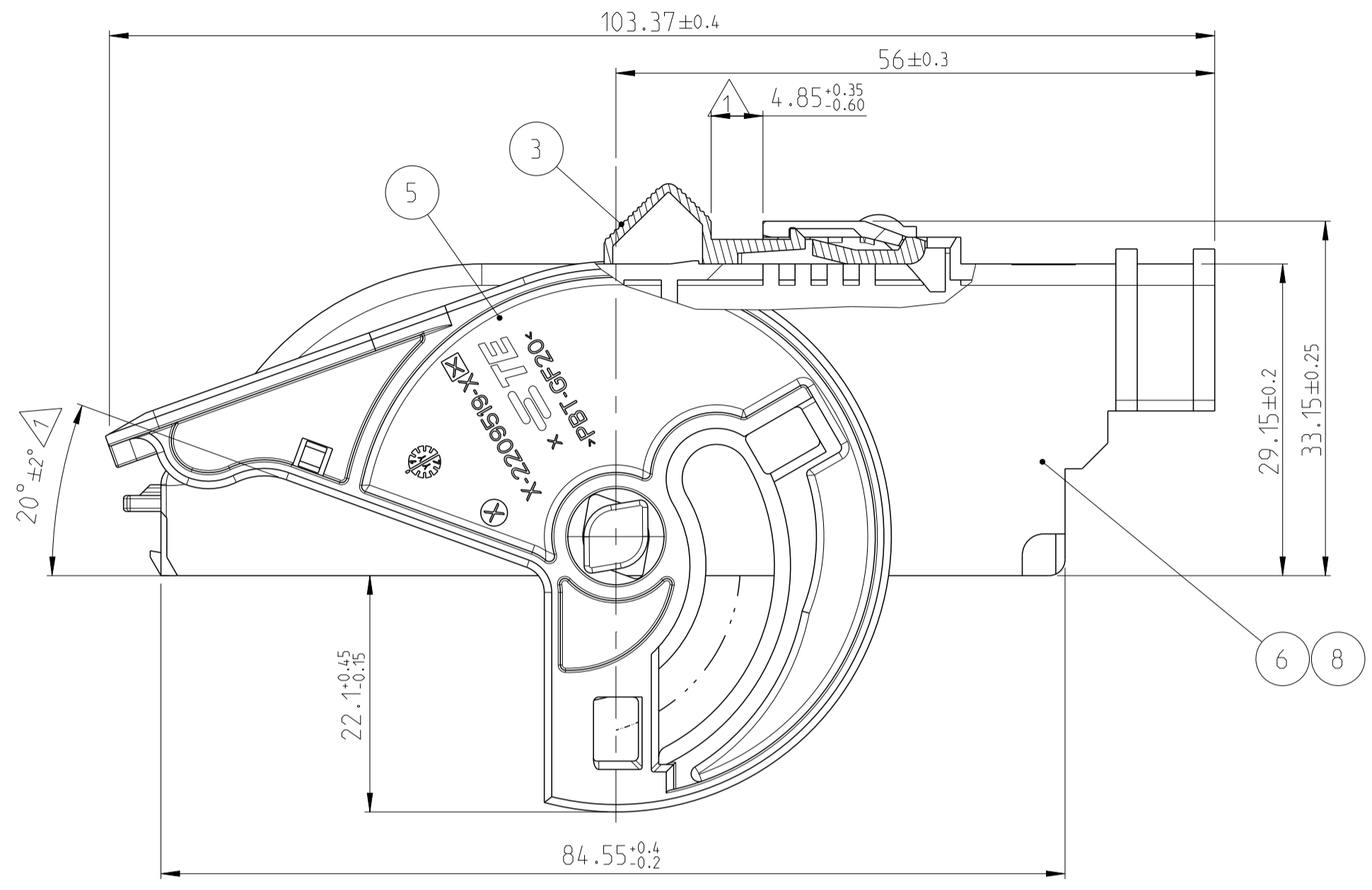
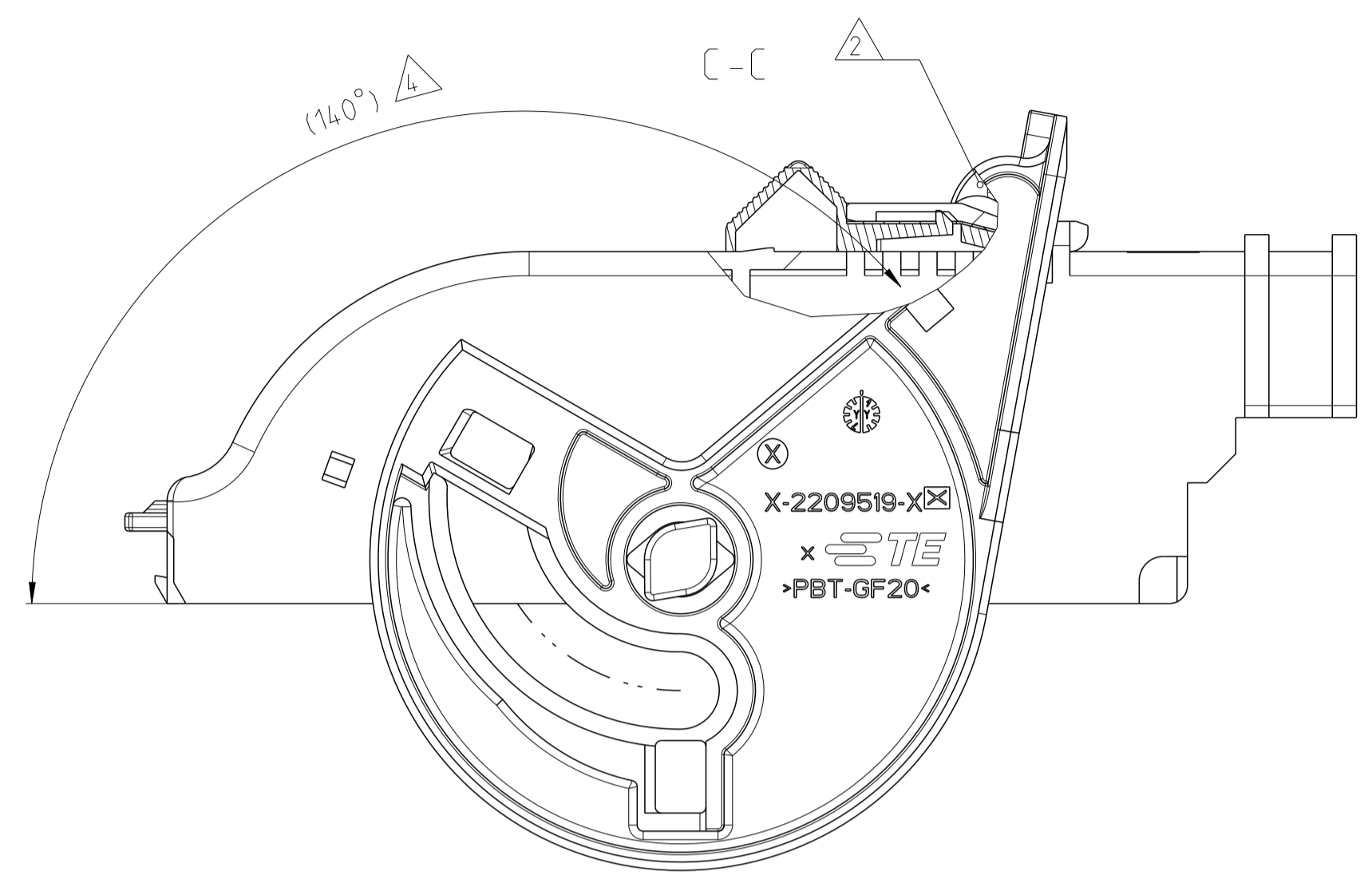
TE ASSY-NO	Rev.	COLOR	MATERIAL	DESCRIPTION	QTY.	ITEM NO
2-2209521-2	C	GRAY	PBT-GF20	LEVER	1	2
		BLACK	PBT-GF20	COVER 180°	1	9
2-2209521-1	B	GRAY	PBT-GF20	LEVER	1	2
		BLACK	PBT-GF20	COVER 90°	1	8
0-2209521-2	C	RED	PBT-GF10	CPA	1	3
		GRAY	PBT-GF20	LEVER	1	2
0-2209521-1	B	RED	PBT-GF10	CPA	1	3
		GRAY	PBT-GF20	LEVER	1	2
0-2209521-1	B	GRAY	PBT-GF20	LEVER	1	2
		BLACK	PBT-GF20	COVER 90°	1	1

THIS DRAWING IS A CONTROLLED DOCUMENT.

DIMENSIONS: mm	TOLERANCES UNLESS OTHERWISE SPECIFIED	OWN: J.ZONG 04-MAR-13	CHK: A.DANG 04-MAR-13	APVD: LYXIN 04-MAR-13	NAME: COVER, 46 POS. HOUSING, ASSY
MATERIAL: SEE TABLE	FINISH: -	WEIGHT: 29.2g	SIZE: A1	CAGE CODE: 00779	DRAWING NO: C=2209521
Customer Drawing			SCALE: 2:1	SHEET: 1 OF 3	REV: C

TE Connectivity

LOC		DIST		REVISIONS			
P	LTN	DATE	OWN	APVD	DESCRIPTION	DATE	OWN
					SEE SHEET 1		



1-2209521-1/2 SEE SHEET 2/3
 3-2209521-1 SEE SHEET 2/3

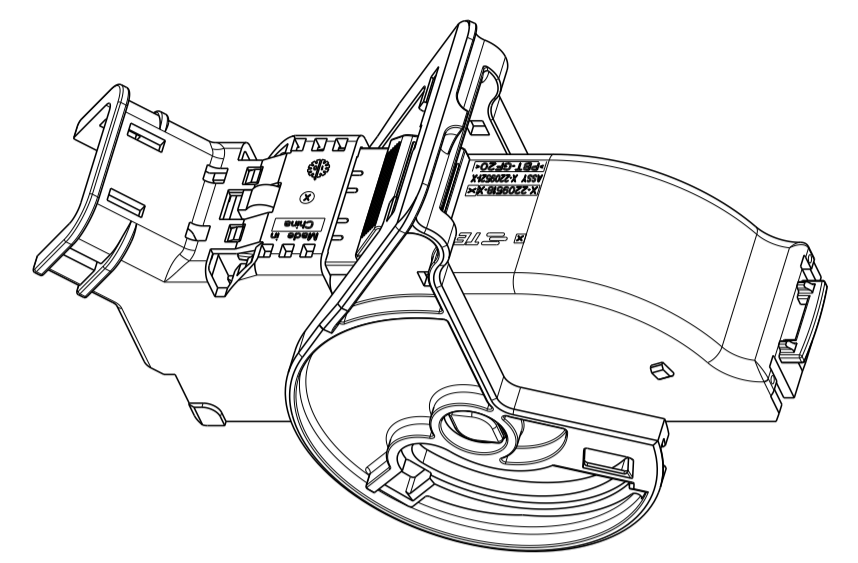
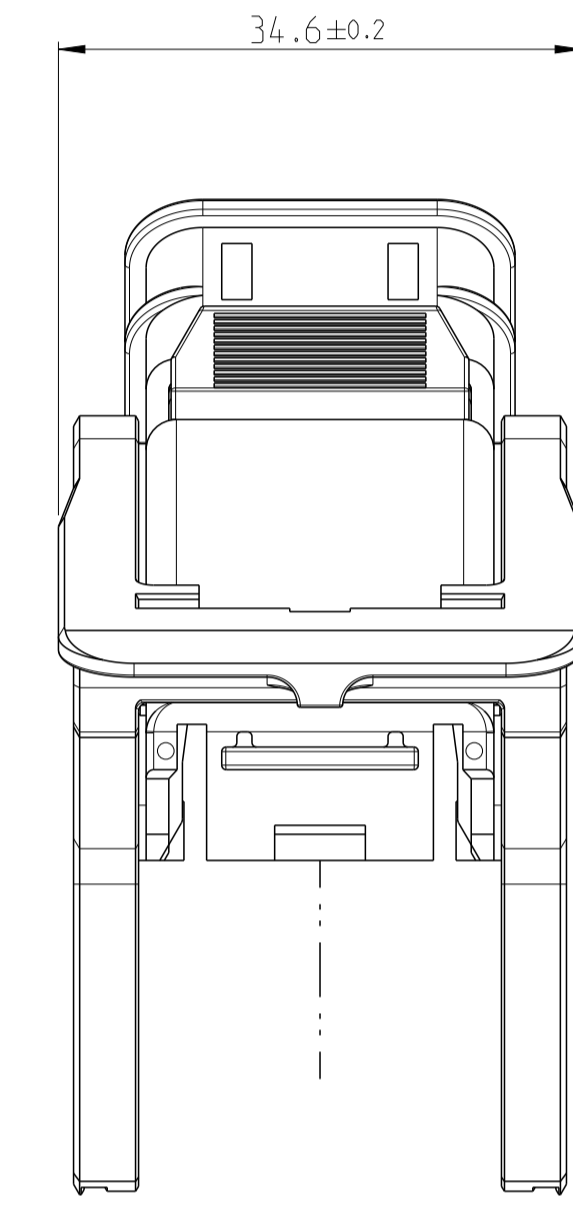
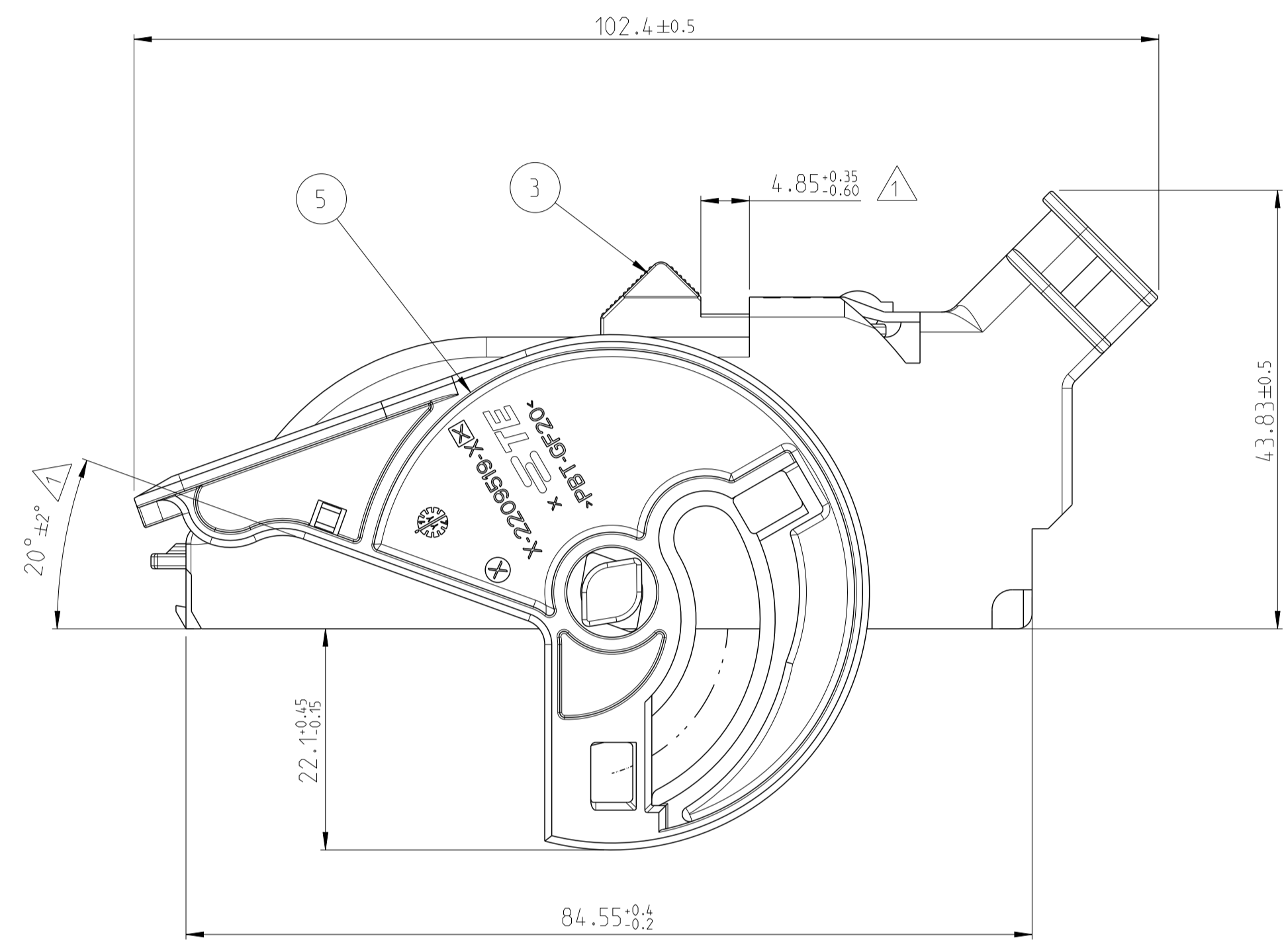
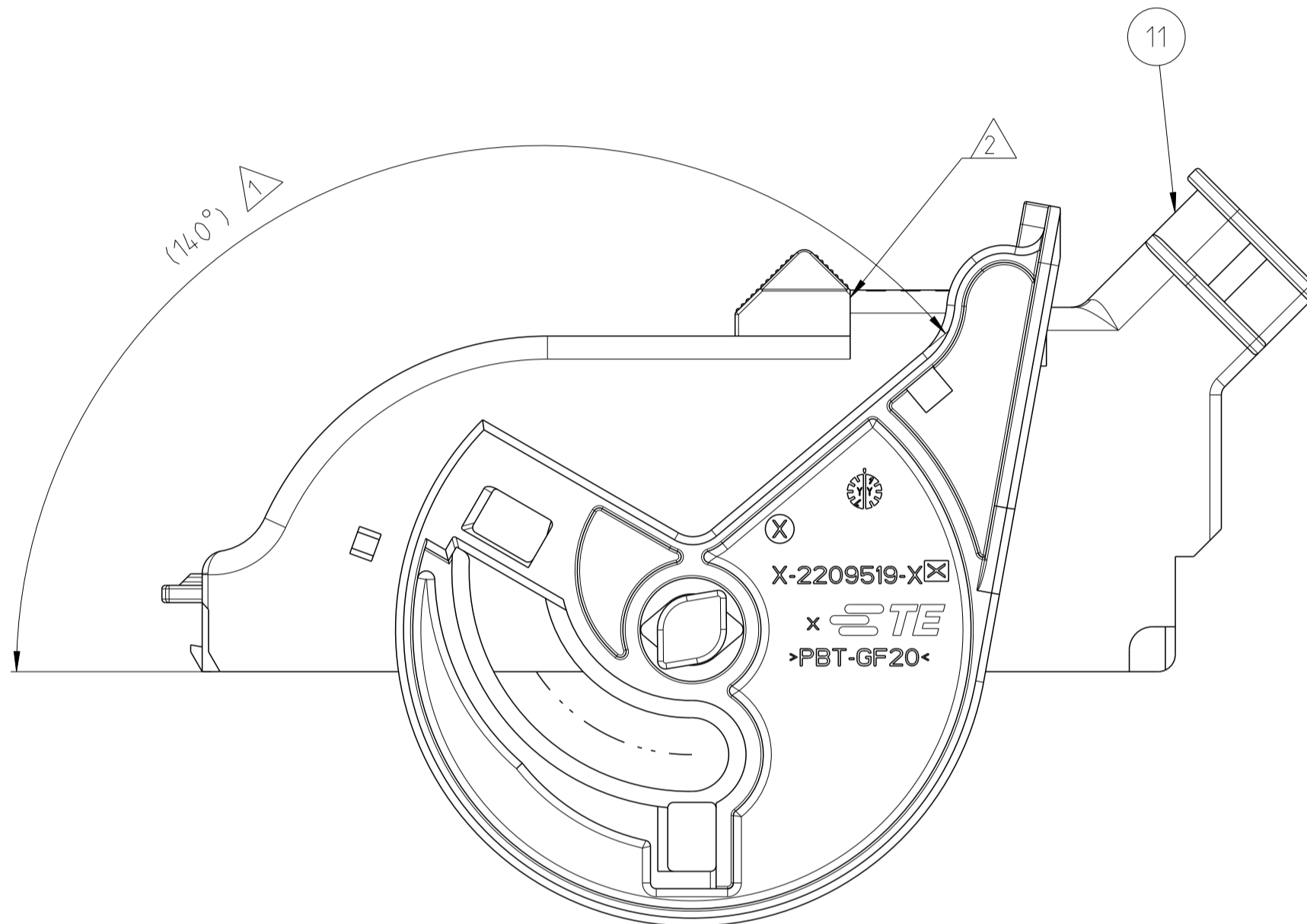
- NOTES
- 1 DELIVERY CONDITION: LEVER (5) IN PRELOCKED POSITION
CPA (3) IN PRELOCKED POSITION
 - 2 CPA END LOCK POSITION
 - 3 LEVER MUST ROTATE SMOOTHLY UNTIL LOCKING
 - 4 LEVER END LOCK POSITION
 - 5 PACKAGING: POSITION WAY IN CARDBOX
 - 6 2209521 USED WITH TE: 2209520 (HSG ASSY)

TE ASSY-NO	Rev.	COLOR	MATERIAL	DESCRIPTION	QTY.	ITEM NO
3-2209521-1	B	GRAY	PBT-GF20	LEVER	1	5
		BLACK	PBT-GF20	COVER 90°	1	8
1-2209521-2	C	RED	PBT-GF10	CPA	1	3
		GRAY	PBT-GF20	LEVER	1	5
1-2209521-1	B	RED	PBT-GF10	CPA	1	3
		GRAY	PBT-GF20	LEVER	1	5
TE ASSY-NO	Rev.	BLACK	PBT-GF20	COVER 90°	1	6

THIS DRAWING IS A CONTROLLED DOCUMENT.

DIMENSIONS: mm	TOLERANCES UNLESS OTHERWISE SPECIFIED	OWN J. ZONG 15-MAR-16	CHK S. W. ANG 15-MAR-16	APVD L. Y. LIN 15-MAR-16	NAME COVER, 46 POS. HOUSING, ASSY
MATERIAL SEE TABLE	FINISH	WEIGHT 31.48g	SIZE A1	CAGE CODE 00779	DRAWING NO. C=2209521
		Customer Drawing	SCALE 2:1	SHEET 2 OF 3	REV C

LOC	DIST	REVISIONS			
P	LTN	DESCRIPTION	DATE	DWN	APVD
		SEE SHEET 1			



- NOTES
- 1 DELIVERY CONDITION: LEVER (5) IN PRELOCKED POSITION
CPA (3) IN PRELOCKED POSITION
 - 2 CPA END LOCK POSITION
 - 3 LEVER MUST ROTATE SMOOTHLY UNTIL LOCKING
 - 4 LEVER END LOCK POSITION
 - 5 PACKAGING: POSITION WAY IN CARDBOX
 - 6 2209521 USED WITH TE: 2209520 (HSG ASSY)

6-2209521-1 SEE SHEET 3/3

6-2209521-1	B	RED	PBT-GF10	CPA	1	3
		GRAY	PBT-GF20	LEVER	1	5
		BLACK	PBT-GF20	COVER 45°	1	11
TE ASSY-NO	Rev.	COLOR	MATERIAL	DESCRIPTION	QTY.	ITEM NO

THIS DRAWING IS A CONTROLLED DOCUMENT.

DIMENSIONS: mm	TOLERANCES UNLESS OTHERWISE SPECIFIED	DWN: T. DONG 29DEC2017	CHK: E. JIANG 02JAN2018	APVD: L. YIN 03JAN2018	NAME: COVER, 46 POS. HOUSING, ASSY
0 PLC	±	TE Connectivity		SIZE: A1	CAGE CODE: 00779
1 PLC	±	DRAWING NO: 2209521		RESTRICTED TO:	
2 PLC	±	MATERIAL: PBT-GF20		SCALE: 2:1	SHEET 3 OF 3
3 PLC	±	DESCRIPTION: LEVER		REV: C	
4 PLC	±	APPLICATION SPEC:			
ANGLES	±	WEIGHT:			
FINISH	-	CUSTOMER DRAWING			