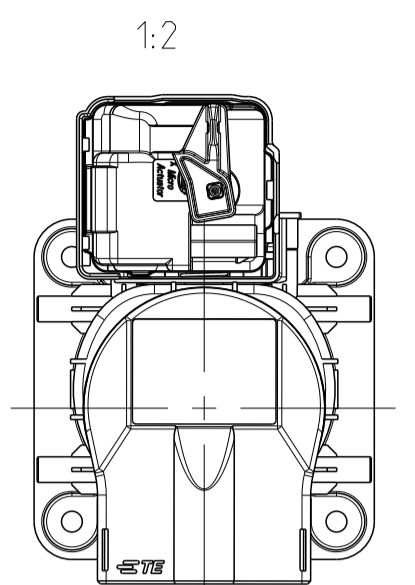


THE DRAWING SHOWS THE 2-DIMENSIONAL REFERENCE COMPONENT CONDITION OF THE ASSEMBLY TO IDENTIFY AND SPECIFY THE NECESSARY DIMENSIONS ONLY. THE DELIVERED PARTS MAY DEVIATE FROM THE DRAWING REGARDING THE ORIENTATION AND POSITION OF EACH COMPONENT (e.g. SLACK CABLE), SO FAR THE FUNCTIONALITY IS NOT CONCERNED.

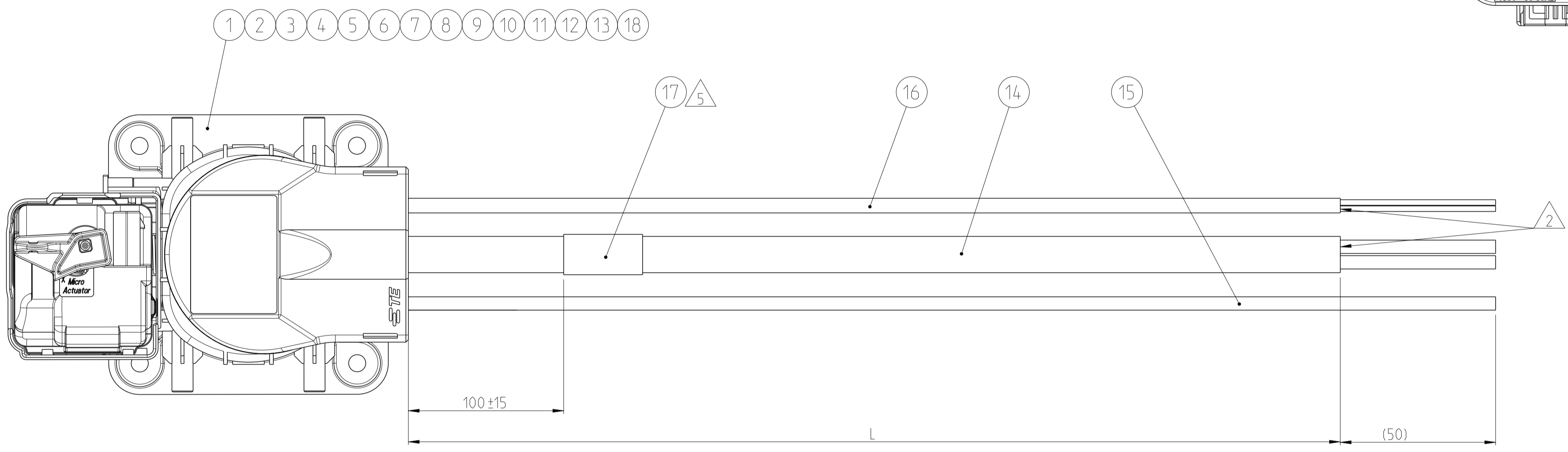
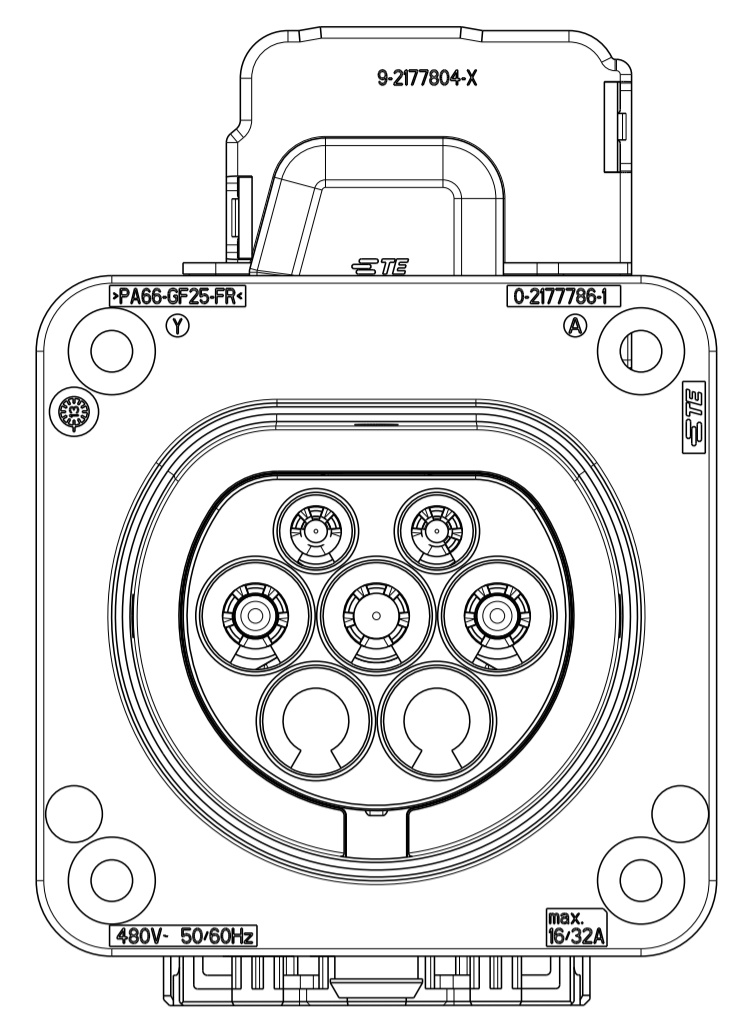
DIE ZEICHNUNG ZEIGT DEN 2-DIMENSIONAL IDEALZUSTAND DES ZUSAMMENBAUTEILS BEZÜGLICH DER KOMPONENTEN ZUR IDENTIFIKATION UND SPEZIFIKATION DER NOTWENDIGEN DIMENSIONEN. HINSICHTLICH DER ORIENTIERUNG UND DER LAGE DER KOMPONENTEN (Z.B. BIEGESCHLAPTES KABEL) KÖNNEN DIE GELIEFERTEN TEILE VON DER ZEICHNUNG ABWEICHEN, SOFERN DIE FUNKTIONALITÄT NICHT BEEINTRÄCHTIGT IST.

| REVISIONS | | | | |
|-----------|-----|---|-----------|----------|
| P | LTR | DESCRIPTION | DATE | OWN APVD |
| E1 | | PACKAGING CHANGED | 23JUN2016 | DS JJ |
| F | | COMPONENT (CABLE, 2 x 0.75 mm²) REVISED | 19NOV2018 | JM JJ |
| G | | ITEM NO. 5 (INSULATION COVER) REVISED | 01OCT2020 | JM JJ |

LOCKING UNIT POSITION UPPER
CABLE OUTLET POSITION 3



INTERFACE VIEW
Schnittstellen Ansicht



LENGTH SCHEDULE:
Laengentabelle:

| TE PART NO. | REV. | LENGTH L (mm) | TOL. | CABLE OUTLET POSITION |
|-------------|------|---------------|------|-----------------------|
| 2-2208884-1 | G | 1000 | +30 | Position 3 |
| 2-2208884-5 | G | 5000 | +60 | |

NOTES

- 1 PACKAGING ACCORDING SPECIFICATION V2208884.
- 2 STRIPPED ONLY OUTER JACKET AND BRAID. ELECTRICAL TESTING IS ACCORDING APPLICATION SPECIFICATION.
- 3 APPLICATION SPECIFICATION: 114-94163-2 CHARGE INLET IEC 62196-2 TYPE II.
- 4 CUTTING LENGTHS TO BE FIXED BY MANUFACTURING.
- 5 MANUFACTURING CODE: TE PART NO., CURRENT REV. LEVEL AND DATE CODE (DD.MM.YY). TO BE PRINTED ON LABEL (ITEM 17). LABEL TO BE APPLIED TO THE CABLE AFTER SUCCESSFUL ELECTRICAL TEST.

WIRING SCHEDULE:
Belegungsplan:

| CAVITY-NO. | IDENTIFICATION | WIRE COLOUR | WIRE SECTION |
|------------|----------------|-------------|-------------------|
| 1 | L1 | RED | 6mm² (ITEM 14) |
| 2 | N | BROWN | 6mm² (ITEM 14) |
| 3 | GROUND/EARTH | BROWN | 6mm² (ITEM 15) |
| 4 | CP | BROWN/WHITE | 0.75mm² (ITEM 16) |
| 5 | PP | WHITE | 0.75mm² (ITEM 16) |

5 LABEL LEGEND:
Label Beschriftung:

STE

TE PN: X-2208884-Y Rev. ...
DD/MM/YY
2 kV TESTED

TE PART NO., CURRENT REVISION
TE Teilenummer, aktuelle Revision

PRODUCTION DATE
Produktionsdatum

| | | |
|-----------|---------------------------------------|----------|
| 3 | CAB TIE, CLIP, HELL, T18R-HR-N46 | 18 |
| 1 | LABEL, HELL | 17 |
| SEE TABLE | CABLE, 2 x 0.75 mm², BLACK | 16 |
| SEE TABLE | CABLE, 6 mm², BROWN | 15 |
| SEE TABLE | CABLE 2 x 6.0 mm², BRAID | 14 |
| 2 | O-RING, 3 x 1.5 | 13 |
| 3 | O-RING, 4 x 1.5 | 12 |
| 1 | PIN DIA 3.0, PP | 11 |
| 1 | PIN DIA 3.0, CP | 10 |
| 1 | PIN DIA 6.0, PE | 9 |
| 2 | PIN DIA 6.0, L/N, ASSY | 8 |
| 3 | SELF TAPPING SCREW | 7 |
| 2 | FAMILY SEAL, MIXED, Vers.1 | 6 |
| 1 | INSULATION COVER, TE, COVER INLET | 5 |
| 1 | CABLE FIXATION, TE, COVER INLET | 4 |
| 1 | ACTUATOR, LOCKING UNIT, ASSY | 3 |
| 1 | 2. LOCK, TE, IEC62196-2 TYPE 2 | 2 |
| 1 | 5 POS. MIXED, HSG, IEC 62196-2 TYPE 2 | 1 |
| QTY X-Y | DESCRIPTION | ITEM NO. |
| - | WEIGHT OF ASSY NO. (g) | - |

| DIMENSIONS: | | TOLERANCES UNLESS OTHERWISE SPECIFIED: | |
|-------------|---|--|---|
| mm | | | |
| 0 PLC | ± | | |
| 1 PLC | ± | | |
| 2 PLC | ± | | |
| 3 PLC | ± | | |
| 4 PLC | ± | | |
| ANGLES | ± | | |
| MATERIAL | - | FINISH | - |
| WEIGHT | - | CUSTOMER DRAWING | - |

2- -X AS SHOWN
wie dargestellt

STE TE Connectivity

NAME: HV, CHARGE INLET TYPE 2, HYB ASSY, 6 sqmm LOCKING UNIT POSITION UPPER

SIZE: A | CAGE CODE: 00779 | DRAWING NO: C=2208884

SCALE: 1:1 | SHEET: 1 OF 1 | REV: G