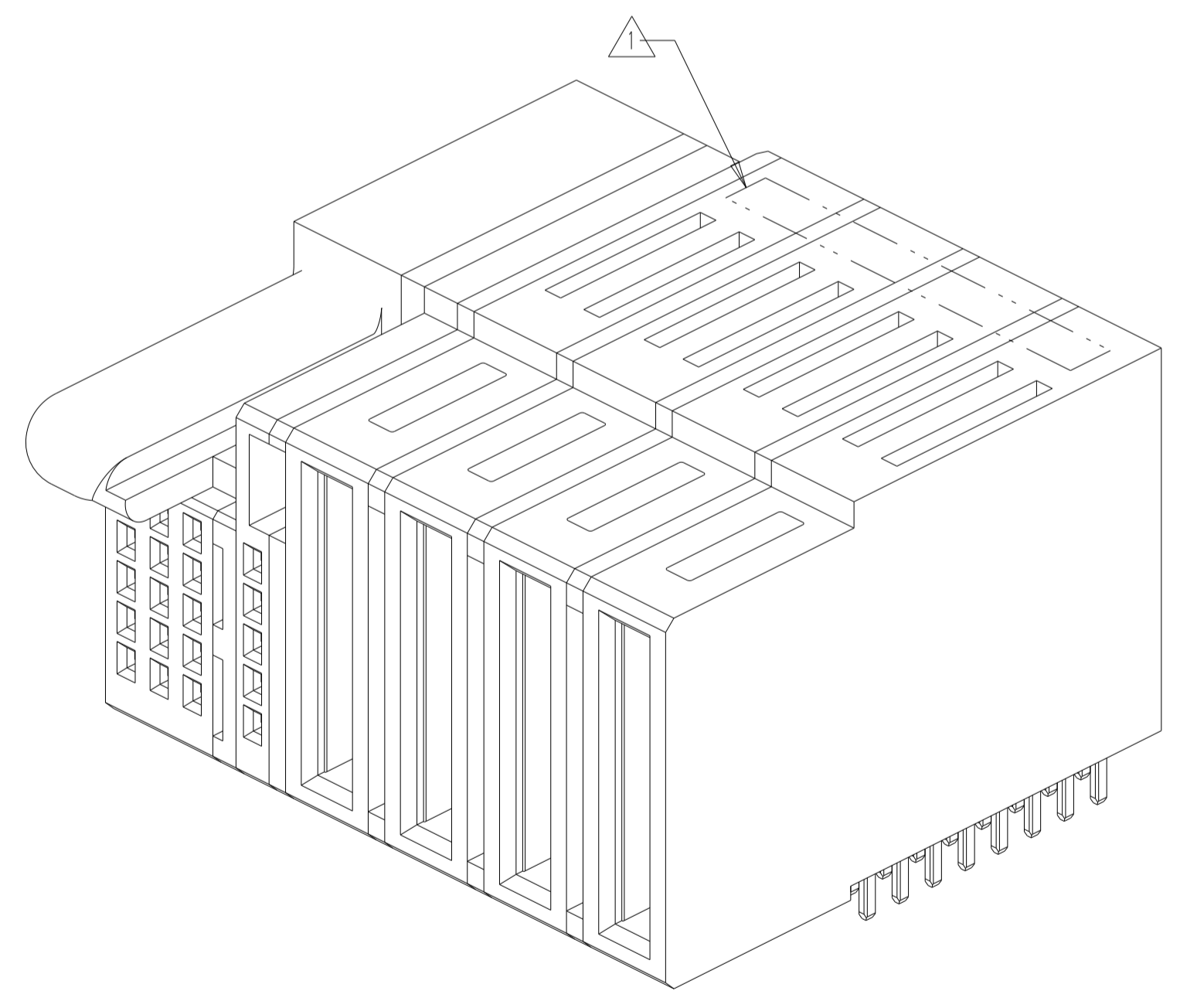
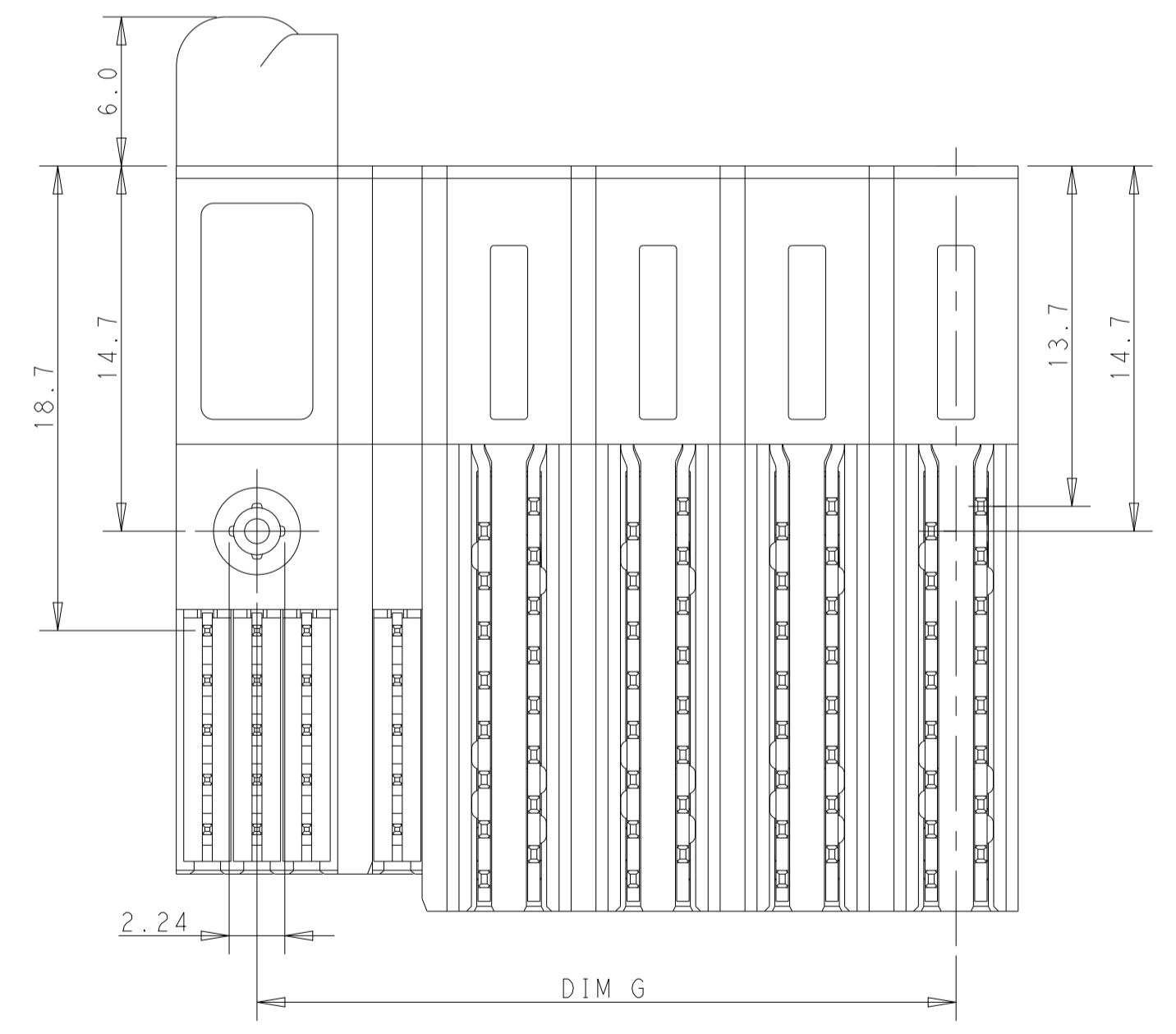
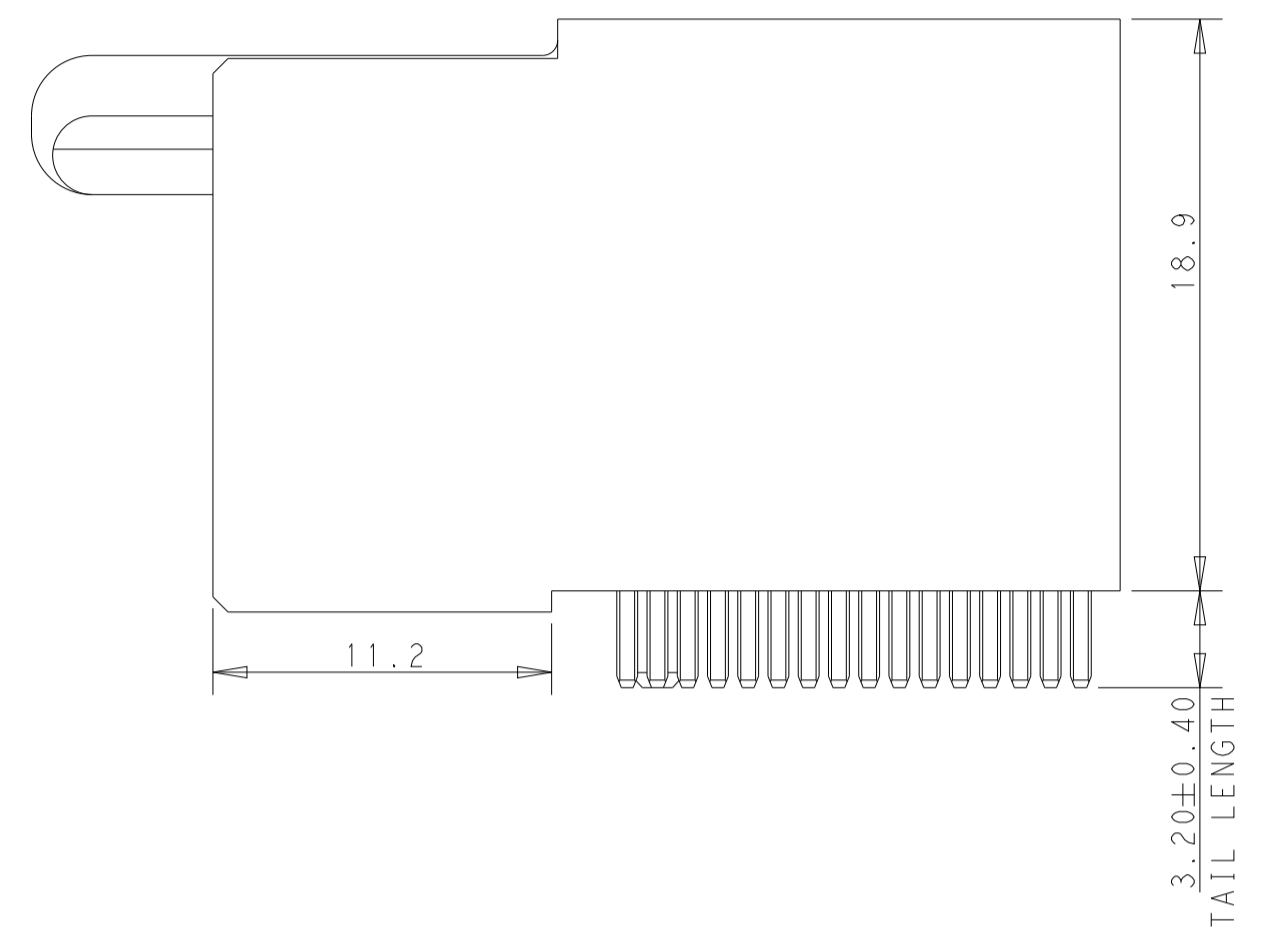
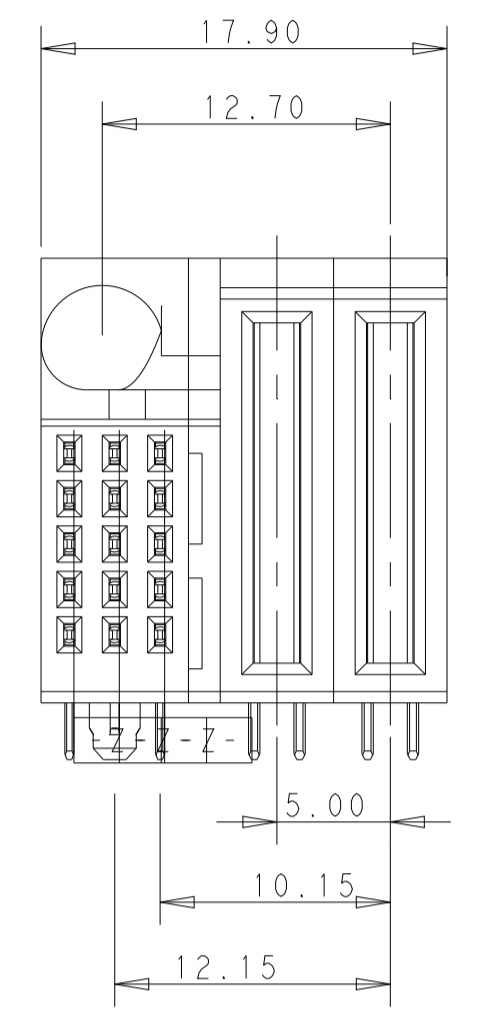
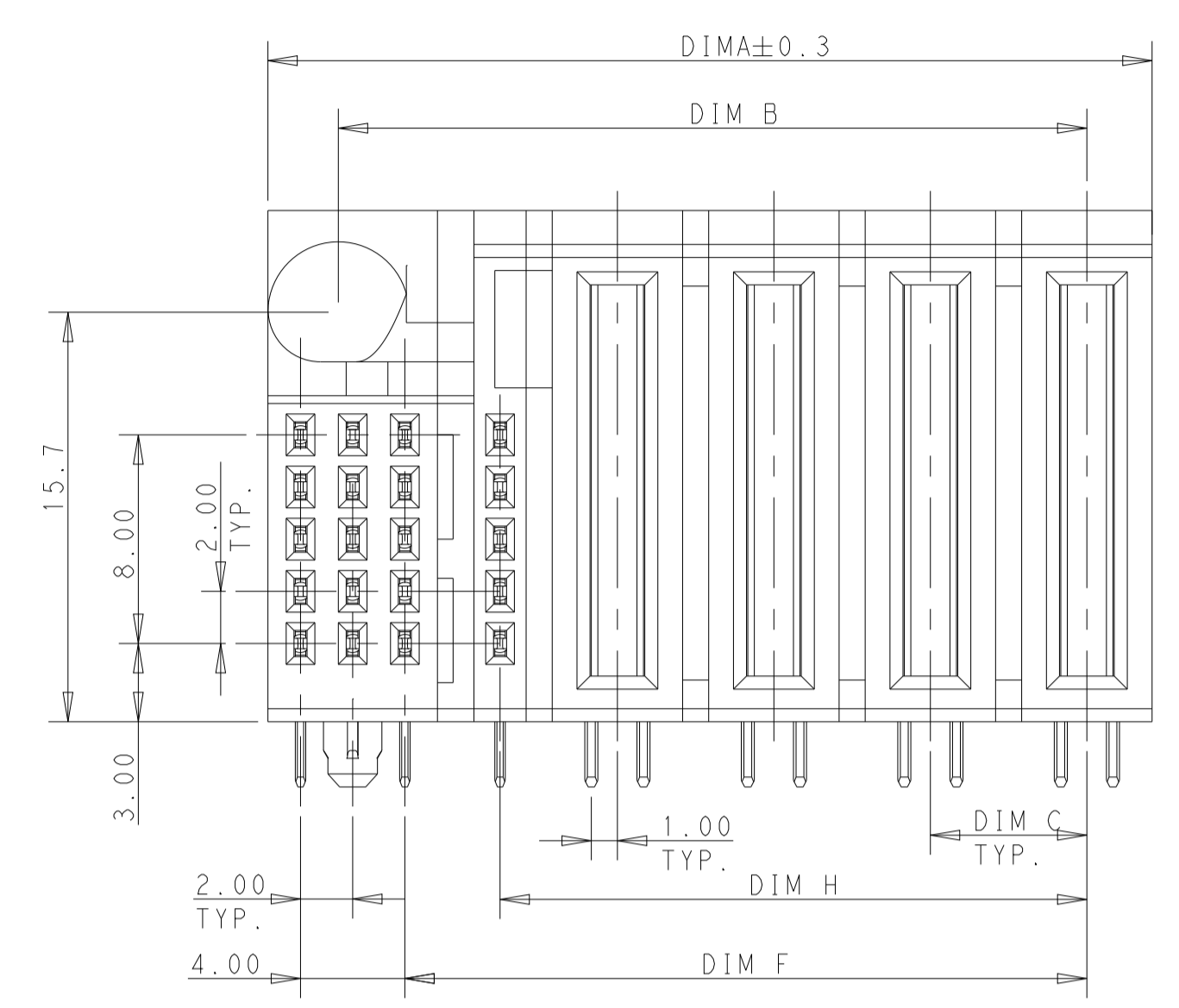


REVISIONS				
P	LTR	DESCRIPTION	DATE	OWN APVD
A6		ECR-19-018617	29NOV2019	TZ SZ
A7		ECR-21-102182	28JUN2021	TZ SH



NOTES, UNLESS OTHERWISE SPECIFIED:  
 1. "TE", PART NUMBER AND DATE CODE TO BE MARKED IN AREA SHOWN.  
 2. MATERIAL:  
 HOUSING - GLASS FILLED HIGH TEMP THERMO PLASTIC, COLOR: BLACK, UL94 V-0.  
 SIGNAL CONTACT - HIGH CONDUCTIVITY COPPER ALLOY.  
 POWER CONTACT - HIGH CONDUCTIVITY COPPER ALLOY.  
 3. CONTACT PLATING:  
 MATING AREA - NOBLE METAL OVERALL NICKEL  
 TAIL SIDE AREA - MATTE TIN OVERALL NICKEL.  
 4. MECHANICAL CONNECTOR KEEP OUT ZONE.  
 5. DATUM AND BASIC DIMENSIONS ESTABLISHED BY CUSTOMER.  
 6. PCB - ALL HOLE DIAMETERS ARE FINISHED HOLE SIZES.  
 7. PCB HOLE:  
 POWER - 1.15 ± 0.025 MM DRILLED HOLES SIZE PLATING WITH 0.0076 MM MIN.  
 Sn OVER 0.025-0.076 MM Cu PLATING TO ACHIEVE A 1.02 MM DIA. HOLE.  
 SIGNAL - 0.835 ± 0.025 MM DRILLED HOLES SIZE PLATING WITH 0.0076 MM MIN.  
 Sn OVER 0.025-0.076 MM Cu PLATING TO ACHIEVE A 0.72 MM DIA. HOLE.  
 8. THE UN-MATING DISTANCE IS 2.0MM FOR THE P/N:2204416-8

15.00	10.05	5.00	24.50	30.15	28.15	5.00	30.70	35.90	2P+2LP+2P+20S	2204416-8
-	-	-	-	32.15	30.15	5.00	32.70	38.15	15S+6P	2204416-7
-	6.00	5.00	34.50	40.15	38.15	6.00	40.70	61.40	3VMP+6VP+20S	2204416-6
-	-	-	-	12.15	10.15	5.00	12.70	17.90	2P+15S	2204416-5
15.00	10.05	5.00	24.50	30.15	28.15	5.00	30.70	35.90	2P+2LP+2P+20S	2204416-3
15.00	10.05	5.00	24.50	30.15	28.15	5.00	30.70	35.90	2P+2LP+2P+20S	2204416-2
-	-	-	22.50	28.15	26.15	6.00	28.70	33.90	4VP+20S	2204416-1
DIM M.	DIM E.	DIM D.	DIM H.	DIM G.	DIM F.	DIM C.	DIM B.	DIM A.	DESCRIPTION	PART NUMBER

PRELIMINARY  
 PRELIMINARY  
 PRELIMINARY

THIS DRAWING IS A CONTROLLED DOCUMENT. DWN: THOMAS ZHAO 27JULY2016  
 CHK: SUNY ZHAO 27JULY2016

DIMENSIONS: mm TOLERANCES UNLESS OTHERWISE SPECIFIED:  
 0 PLC ±0.4  
 1 PLC ±0.4  
 2 PLC ±0.25  
 3 PLC ±0.15  
 4 PLC ±  
 ANGLES ±  
 FINISH ±

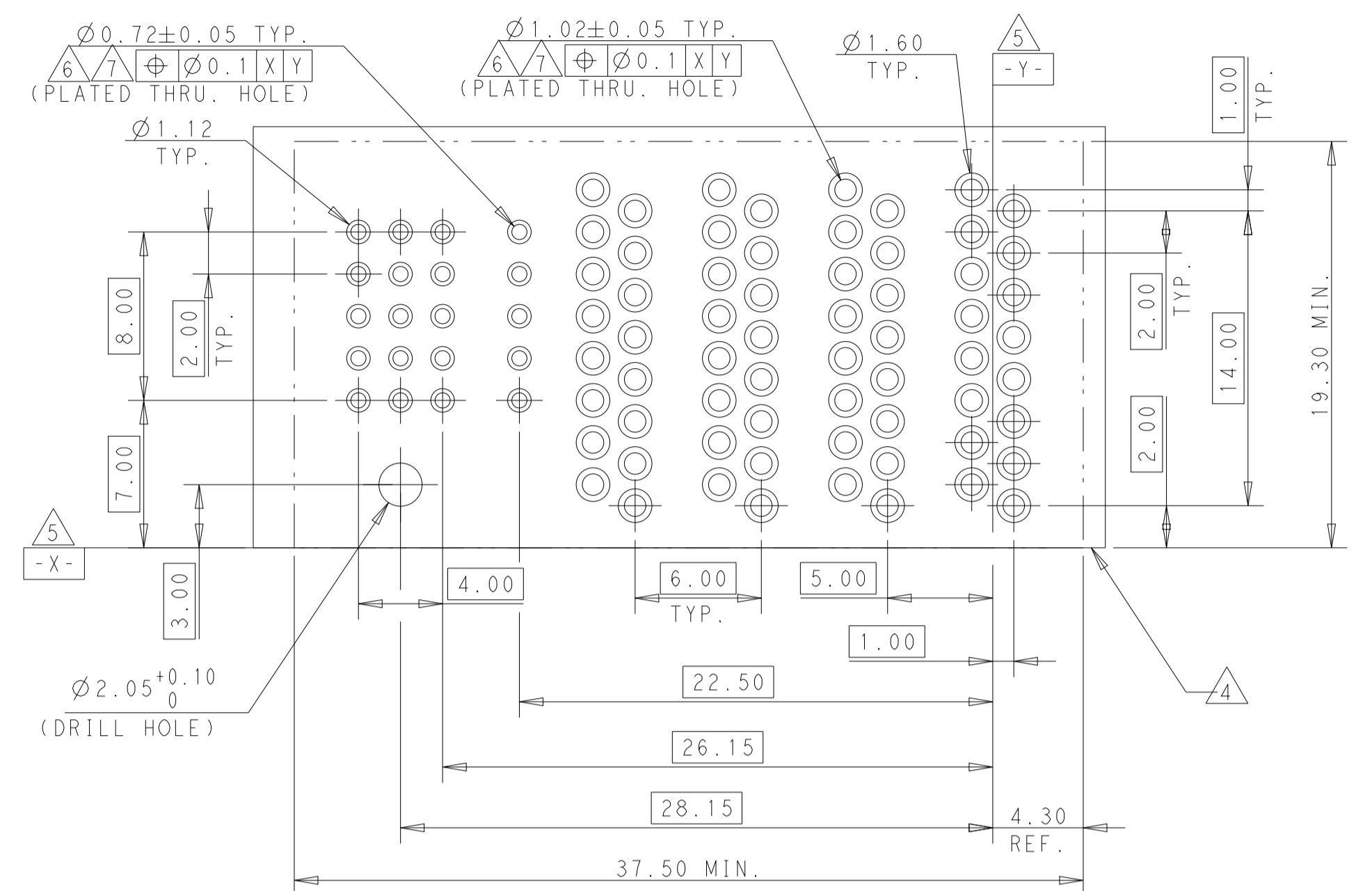
MATERIAL: 2

APVD: SUNY ZHAO 27JULY2016  
 PRODUCT SPEC  
 APPLICATION SPEC

NAME: CUSTOMER DRAWING  
 R/A REC. WITH SINGLE GUIDE  
 MULTI-BEAM HD SOLDER TYPE

SIZE: A1 CAGE CODE: DRAWING NO: C=2204416 RESTRICTED TO: -  
 WEIGHT: -  
 CUSTOMER DRAWING SCALE: 4:1 SHEET 1 OF 3 REV: A7

REVISIONS				
P	LTN	DESCRIPTION	DATE	APPD
-	-	SEE SHEET 1	-	-



PART NUMBER	ROWS	SIGNAL			POWER			
		4	3	2	P4	P3	P2	P1
2204416-1	E	VT	VT	VT	PT	PT	PT	PT
	D	VT	VT	VT	PT	PT	PT	PT
	C	VT	VT	VT	PT	PT	PT	PT
	B	VT	VT	VT	PT	PT	PT	PT
	A	VT	VT	VT	PT	PT	PT	PT

4VP+20S

PART NUMBER	ROWS	SIGNAL			POWER			
		4	3	2	P4	P3	P2	P1
2204416-2	E	VT	VT	VT	PT	PT	LT1	PT
	D	VT	VT	VT	PT	PT	LT1	PT
	C	VT	VT	VT	PT	PT	LT2	PT
	B	VT	VT	VT	PT	PT	LT2	PT
	A	VT	VT	VT	PT	PT	LT2	PT

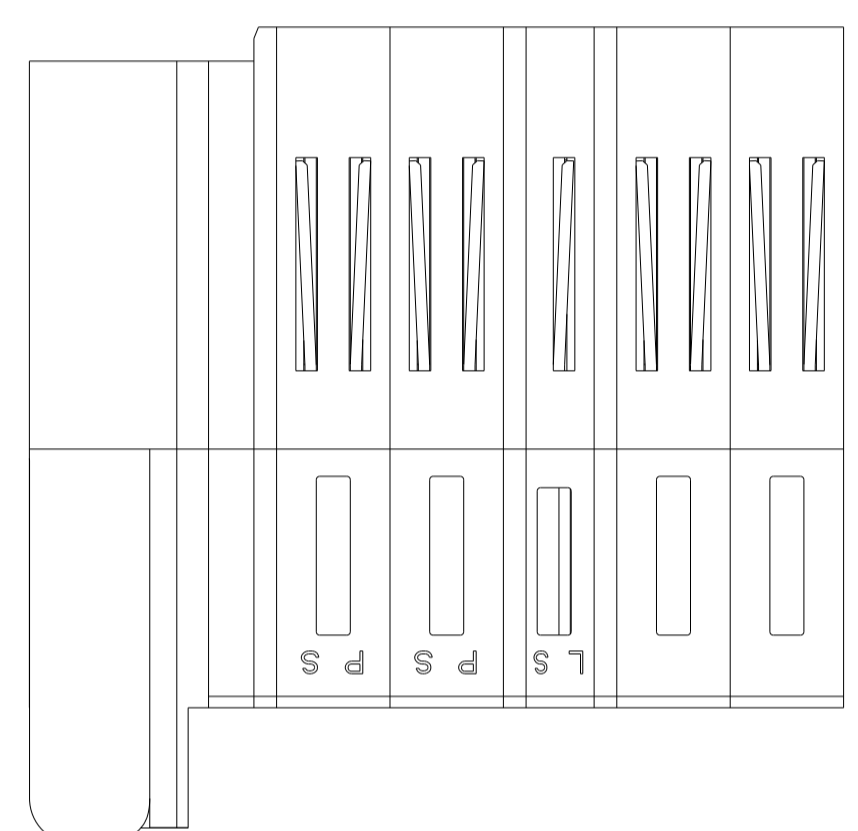
2P+2LP+2P+20S

PART NUMBER	ROWS	SIGNAL			POWER				
		4	3	2	P4	P3	LP	P2	P1
2204416-3	E	VT	VT	VT	PW	PW	LW1	PT	PT
	D	VT	VT	VT	PW	PW	LW1	PT	PT
	C	VT	VT	VT	PW	PW	LW2	PT	PT
	B	VT	VT	VT	PW	PW	LW2	PT	PT
	A	VT	VT	VT	PW	PW	LW2	PT	PT

2P+2LP+2P+20S

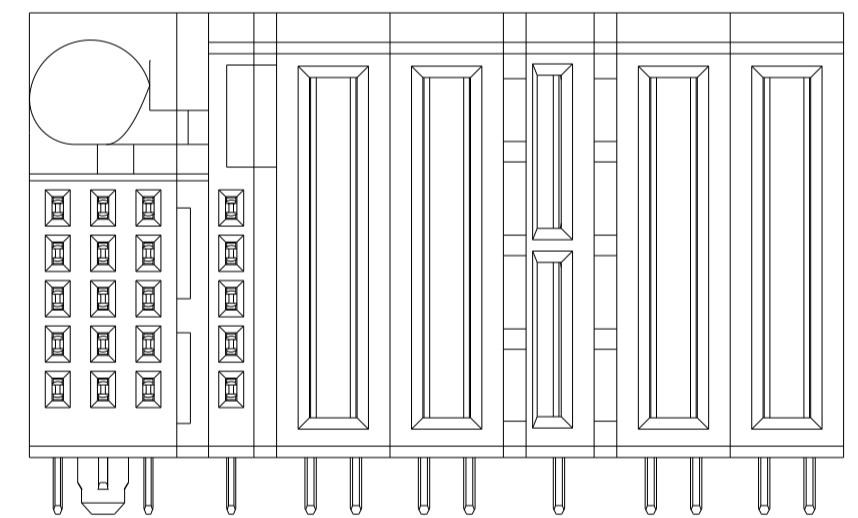
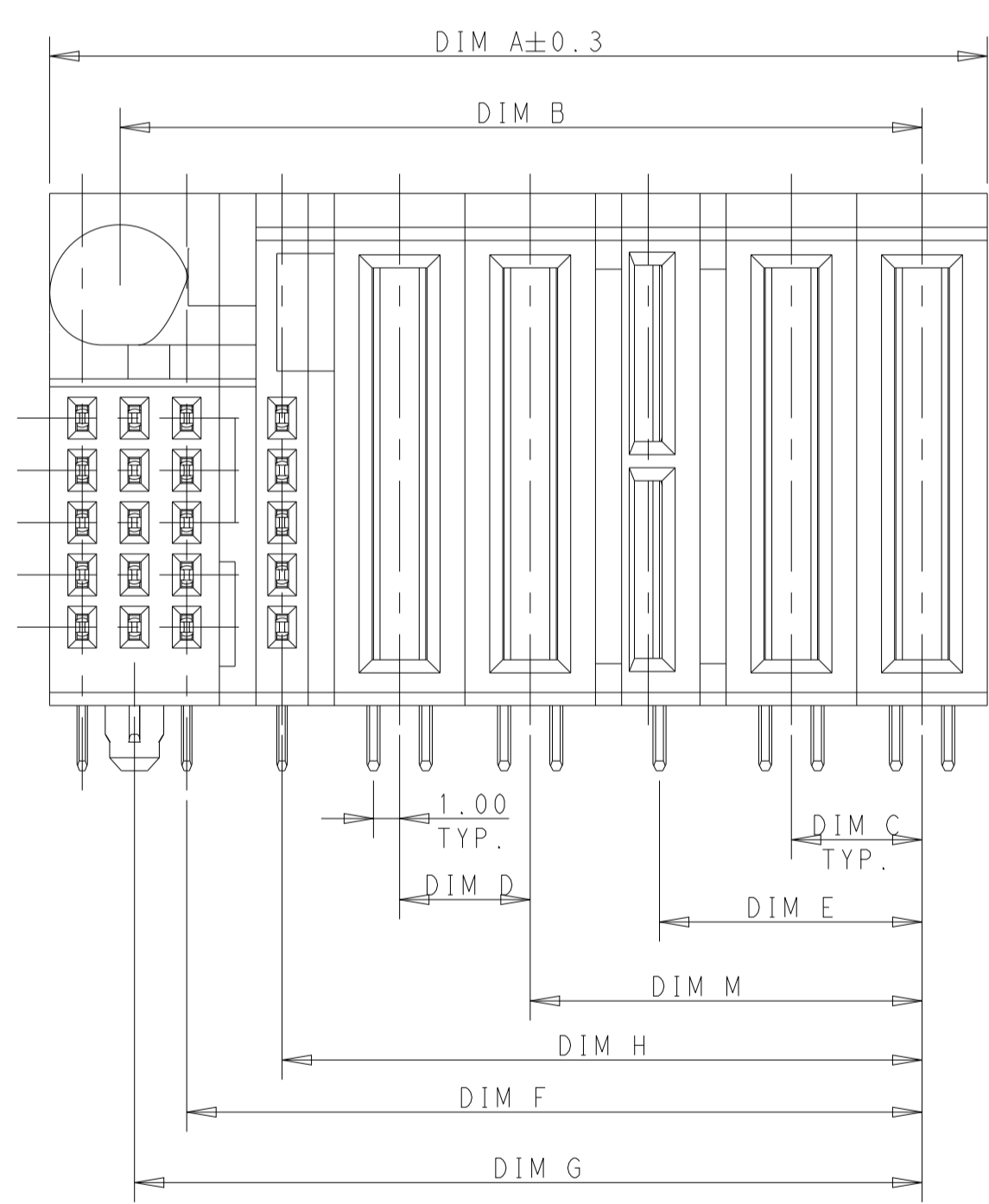
PART NUMBER	ROWS	SIGNAL			POWER									
		4	3	2	P6	P5	P4	P3	P2	P1	MP3	MP2	MP1	
2204416-6	E	VT	VT	VT	PT	PT	PT	PT	PT	PT	PT	MT	MT	MT
	D	VT	VT	VT	PT	PT	PT	PT	PT	PT	PT	MT	MT	MT
	C	VT	VT	VT	PT	PT	PT	PT	PT	PT	PT	MT	MT	MT
	B	VT	VT	VT	PT	PT	PT	PT	PT	PT	PT	MT	MT	MT
	A	VT	VT	VT	PT	PT	PT	PT	PT	PT	PT	MT	MT	MT

3VMP+6VP+20S



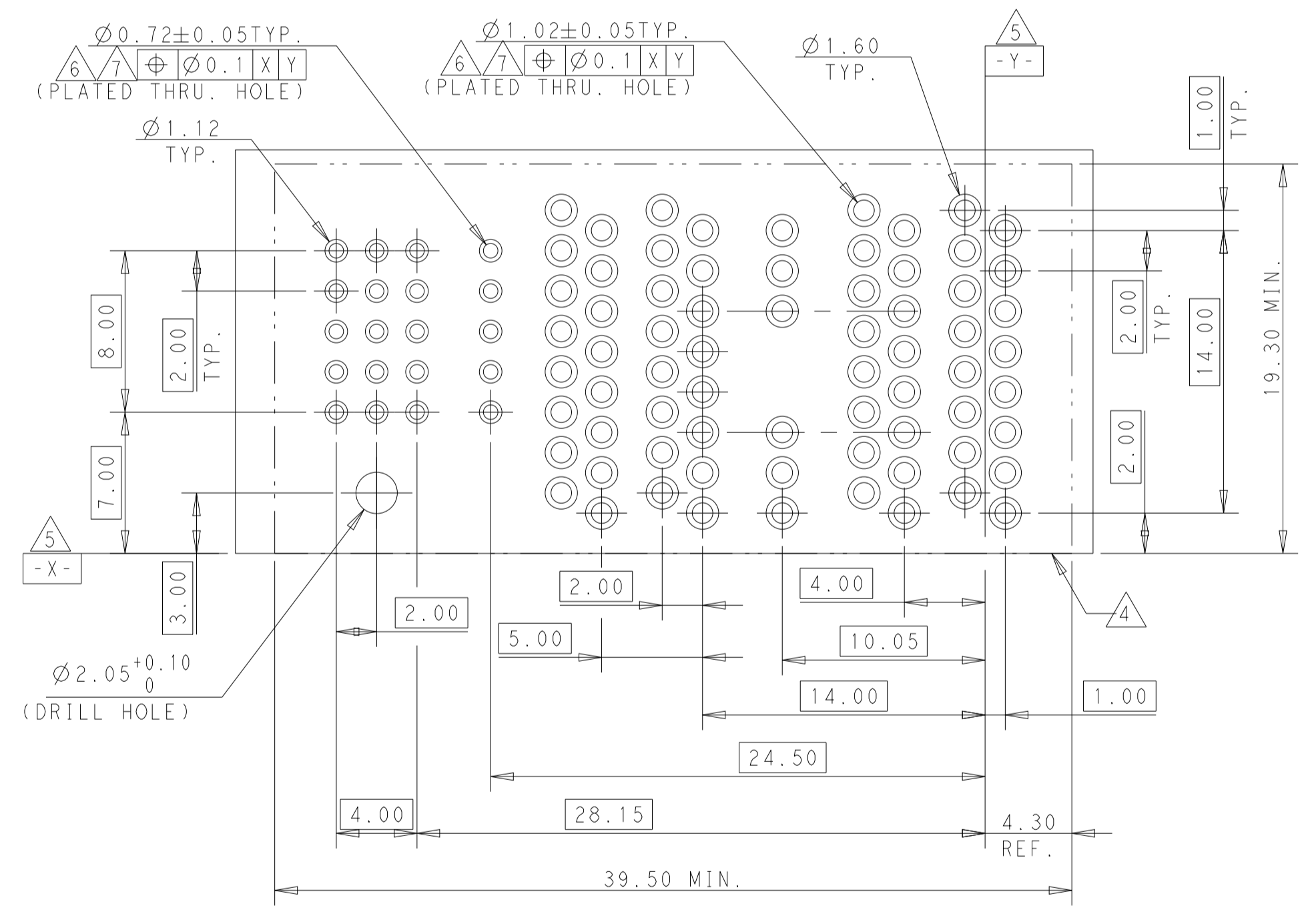
PART NUMBER	ROWS	SIGNAL			POWER				
		4	3	2	P4	P3	LP	P2	P1
2204416-8	E	VT	VT	VT	PL	PL	LL1	PG	PG
	D	VT	VT	VT	PL	PL	LL1	PG	PG
	C	VT	VT	VT	PL	PL	LL2	PG	PG
	B	VT	VT	VT	PL	PL	LL2	PG	PG
	A	VT	VT	VT	PL	PL	LL2	PG	PG

2P+2LP+2P+20S



PART NUMBER: 2204416-3/8

PART NUMBER: 2204416-2  
THE DIMENSION OF 2204416-/3/8 ALSO REFER ABOVE DIM.



MIDDLE POWER RIGHT CONTACT MFBL SOLDER	MT1
MIDDLE POWER LEFT CONTACT MFBL SOLDER	MT2
POWER CONTACT SOLDER MFBL EXTENDED UN-MATING	PG
POWER CONTACT SOLDER STANDARD EXTENDED UN-MATING	PL
POWER CONTACT SOLDER MFBL	PT
POWER CONTACT SOLDER STANDARD	PW
SIGNAL CONTACT SOLDER TYPE	ST
TOP LOW POWER CONTACT STANDARD EXTEND UN-MATING	LL1
BOTTOM LOW POWER CONTACT STANDARD EXTEND UN-MATING	LL2
TOP LOW POWER CONTACT STANDARD	LW1
BOTTOM LOW POWER CONTACT STANDARD	LW2
TOP LOW POWER CONTACT MFBL	LT1
BOTTOM LOW POWER CONTACT MFBL	LT2
I/M SIGNAL CONTACT SOLDER TYPE	VT
HP/SIGNAL WITH SIGNAL GUIDE	HOUSING
DESCRIPTION	CODE

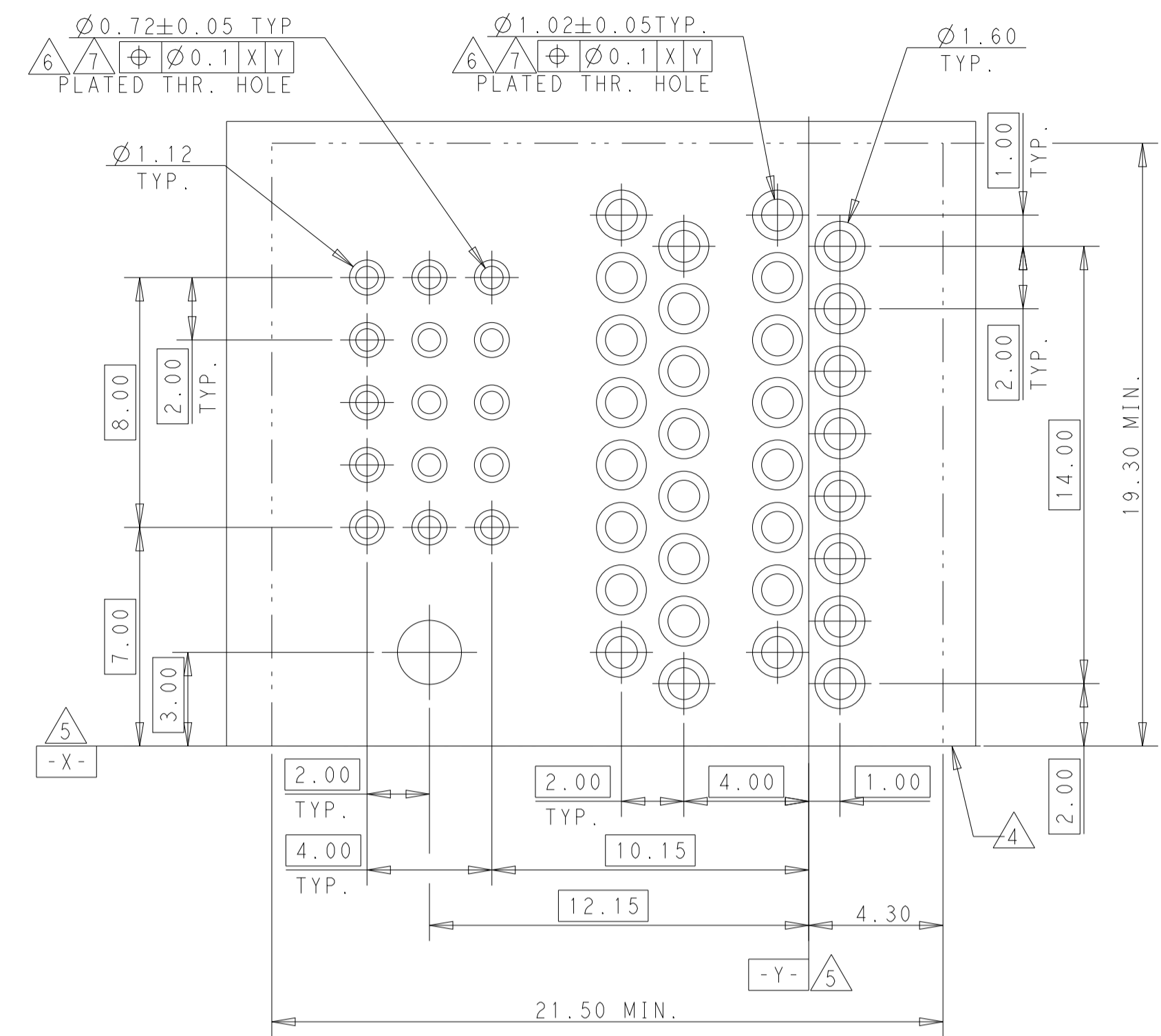
THIS DRAWING IS A CONTROLLED DOCUMENT. OWN: THOMAS ZHAO 27JULY2016. CHK: SUNY ZHAO 27JULY2016. APVD: SUNY ZHAO 27JULY2016.

TE Connectivity

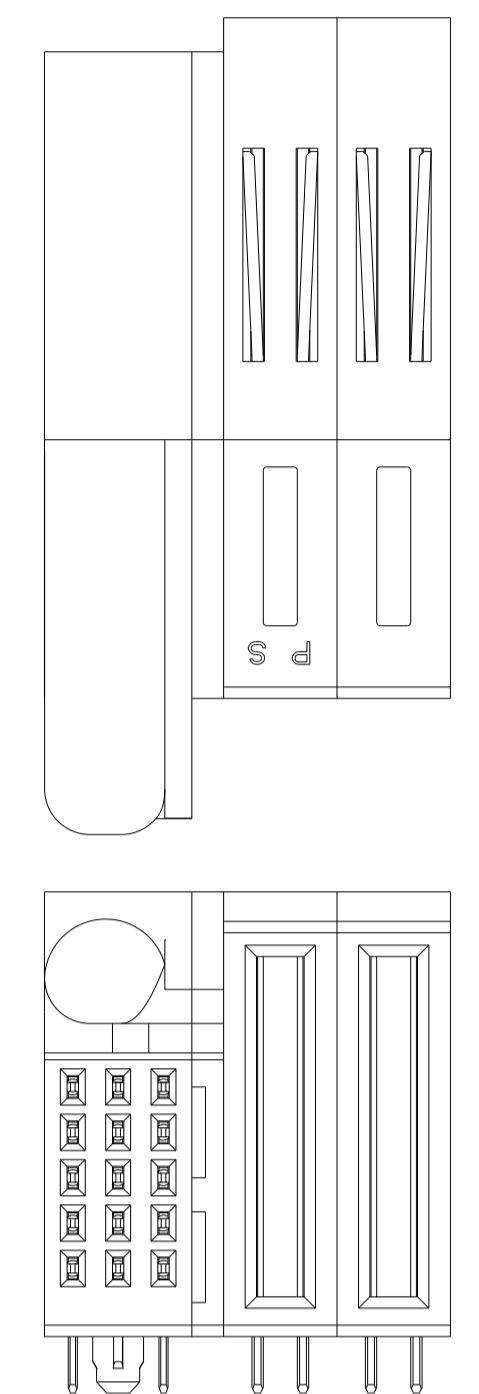
CUSTOMER DRAWING R/A REC. WITH SINGLE GUIDE MULTI-BEAM HD SOLDER TYPE

SIZE: A1. CAGE CODE: - DRAWING NO: C=2204416. SHEET: 2 OF 3. SCALE: 3:1. REV: A7.

REVISIONS				
P	LTN	DESCRIPTION	DATE	APVD
-	-	SEE SHEET 1	-	-



THE PCB LAYOUT OF PART NUMBER: 2204416-5



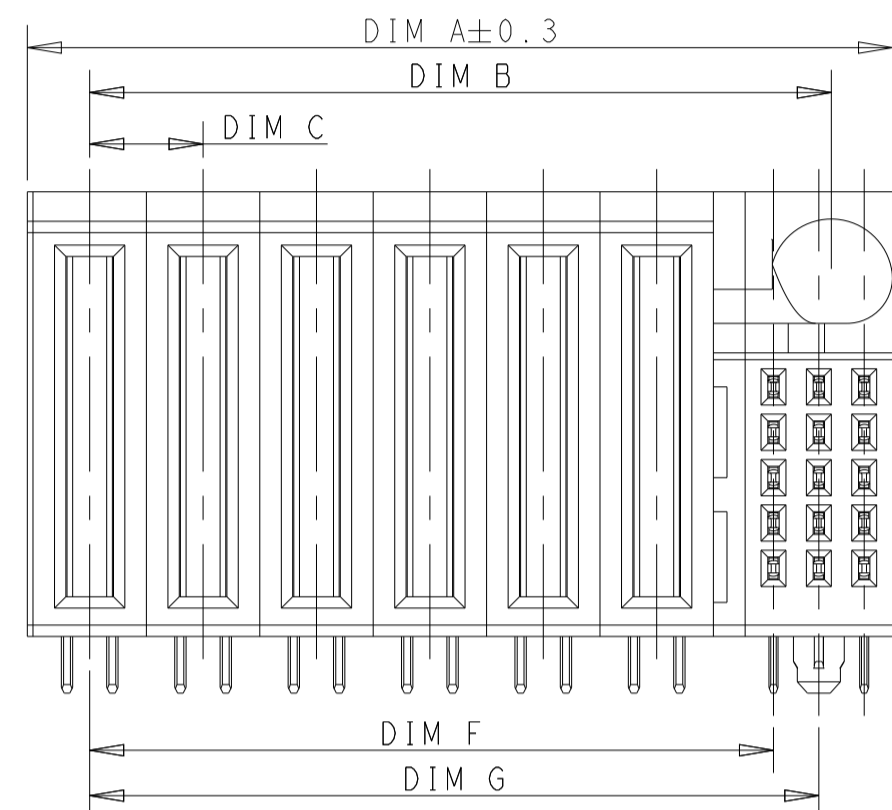
PART NUMBER: 2204416-5  
DIMENSION REFER PAGE 1

PART NUMBER	ROWS	SIGNAL		POWER	
		3	2	P2	P1
2204416-5	E	ST	ST	PW	PT
	D	ST	ST		
	C	ST	ST		
	B	ST	ST		
	A	ST	ST		

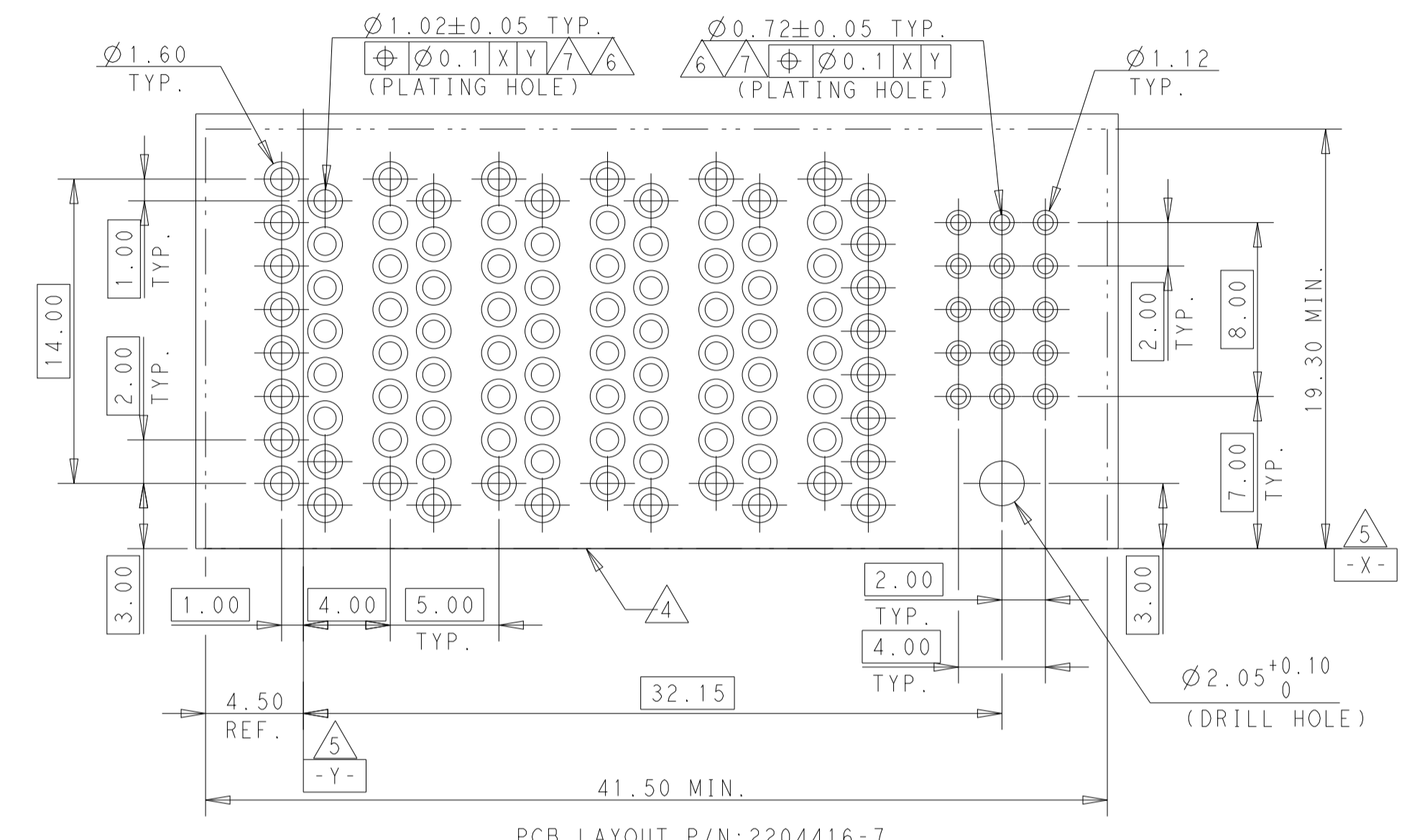
2P+15S

PART NUMBER	POWER					SIGNAL			ROWS	
	P6	P5	P4	P3	P2	P1	S3	S2		S1
2204416-7	PW	PW	PW	PT	PT	PT	VT	VT	VT	E
							VT	VT	VT	D
							VT	VT	VT	C
							VT	VT	VT	B
							VT	VT	VT	A

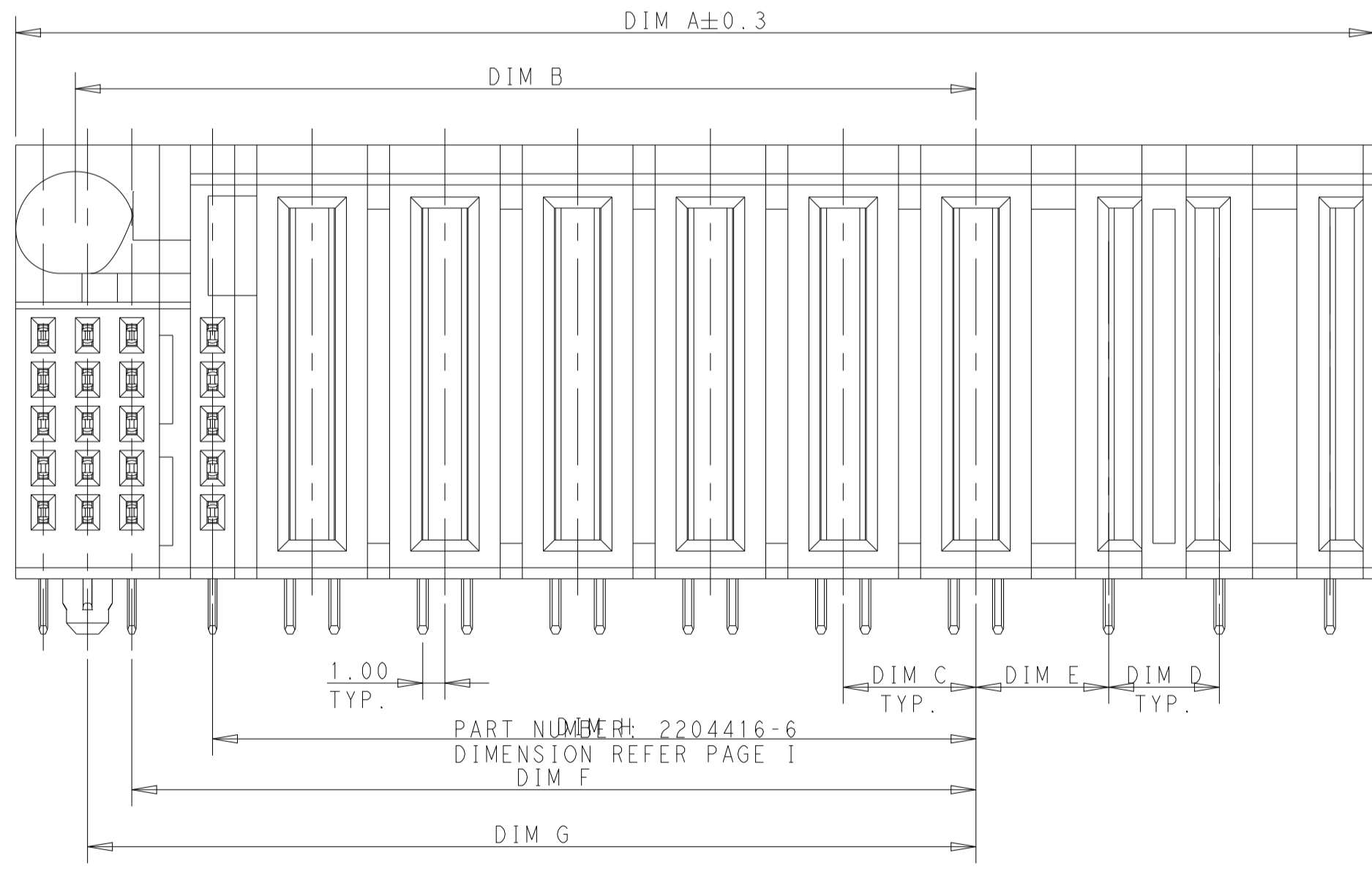
15S+6P



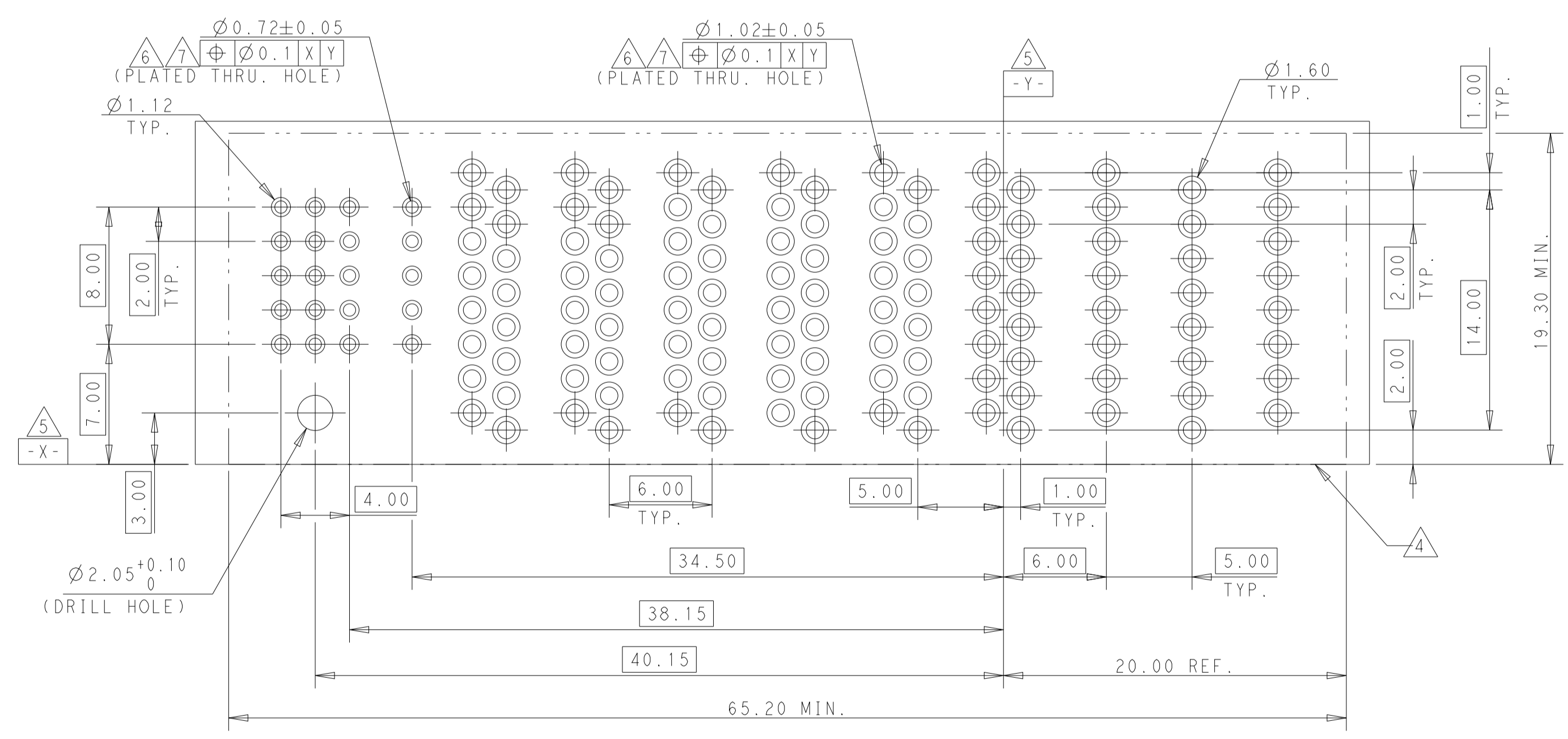
PART NUMBER: 2204416-7



PCB LAYOUT P/N: 2204416-7



PART NUMBER: 2204416-6  
DIMENSION REFER PAGE 1



THE PCB LAYOUT OF PART NUMBER: 2204416-6

THIS DRAWING IS A CONTROLLED DOCUMENT.

OWN: THOMAS ZHAO 27JULY2016  
CHK: SUNY ZHAO 27JULY2016  
APVD: SUNY ZHAO 27JULY2016

DIMENSIONS: mm  
TOLERANCES UNLESS OTHERWISE SPECIFIED:  
0 PLC  $\pm 0.4$   
1 PLC  $\pm 0.4$   
2 PLC  $\pm 0.25$   
3 PLC  $\pm 0.15$   
4 PLC  $\pm$   
ANGLES  $\pm$   
FINISH  $\pm$

MATERIAL: -  
WEIGHT: -  
CUSTOMER DRAWING

NAME: CUSTOMER DRAWING  
R/A REC. WITH SINGLE GUIDE  
MULTI-BEAM HD SOLDER TYPE

SIZE: A1  
CAGE CODE: -  
DRAWING NO: C=2204416  
RESTRICTED TO: -

SCALE: 4:1  
SHEET: 3 OF 3  
REV: A7

TE Connectivity