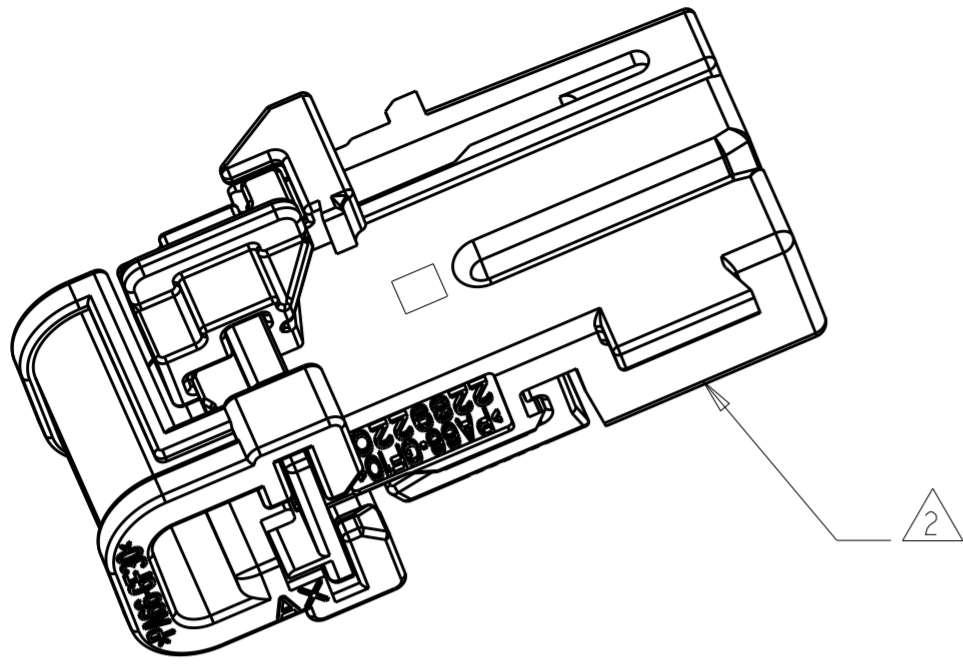
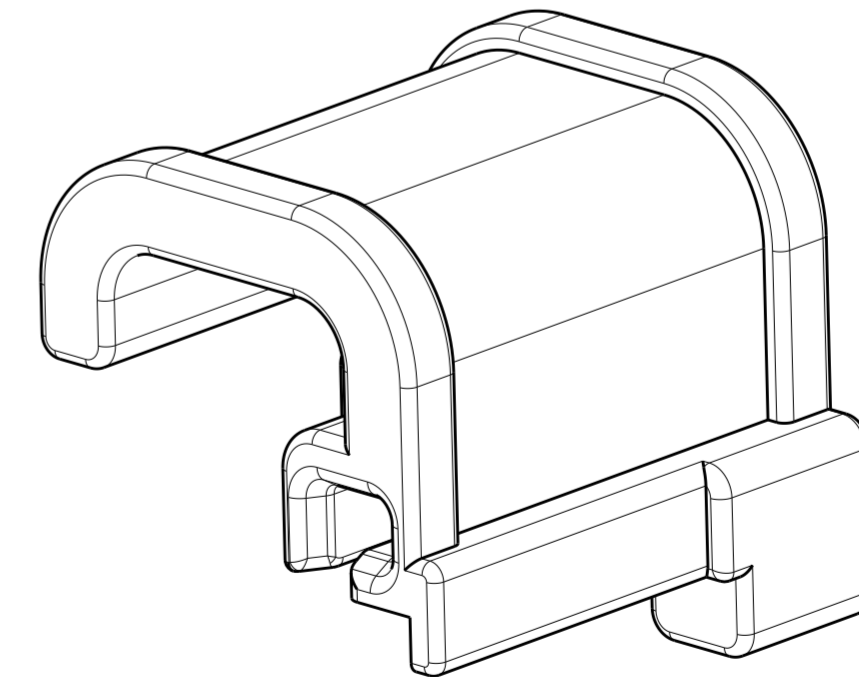
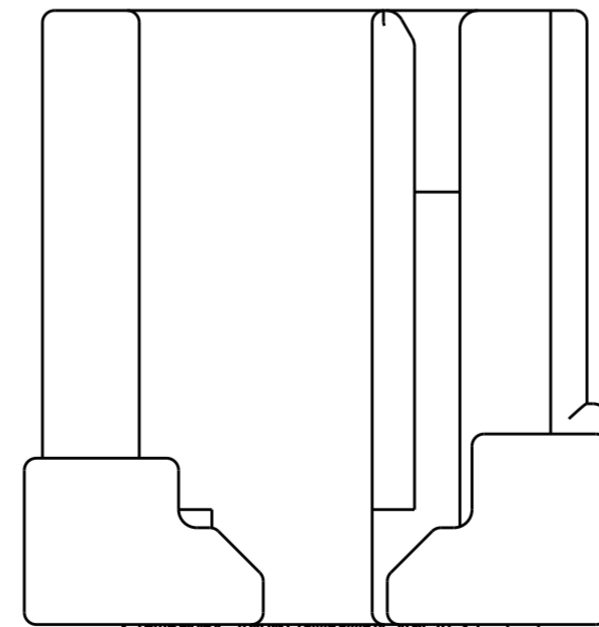
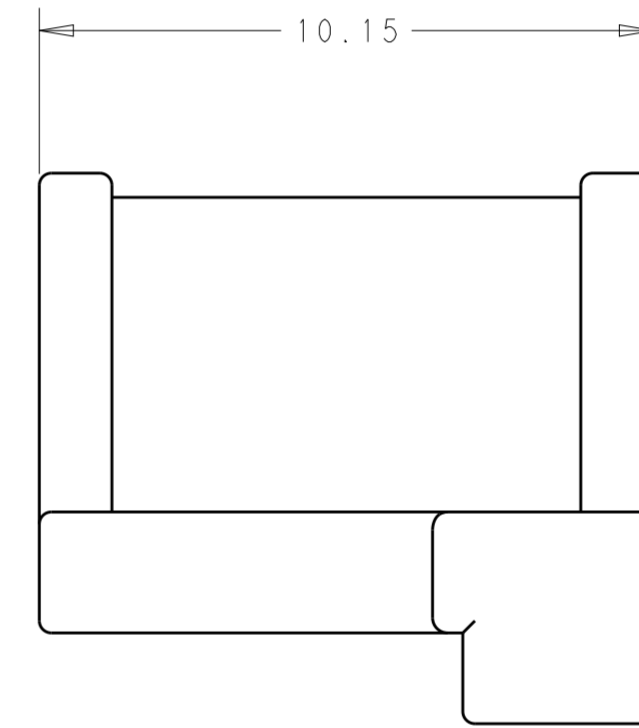
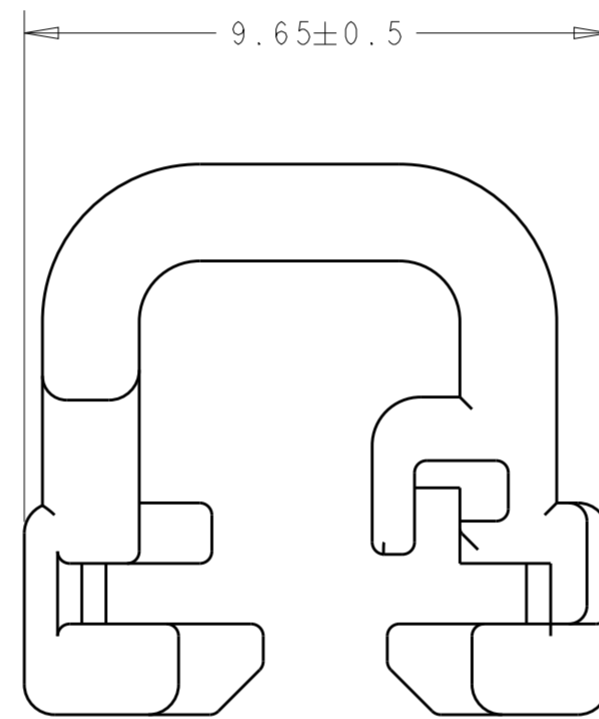
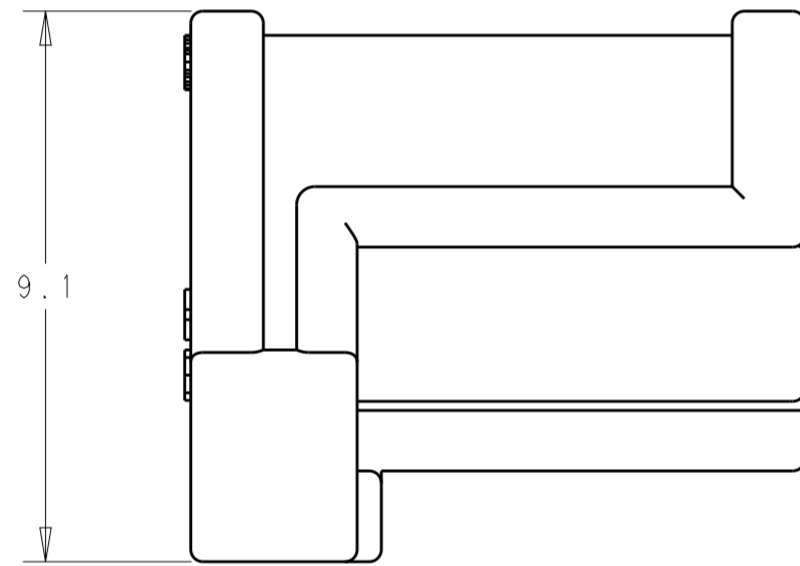
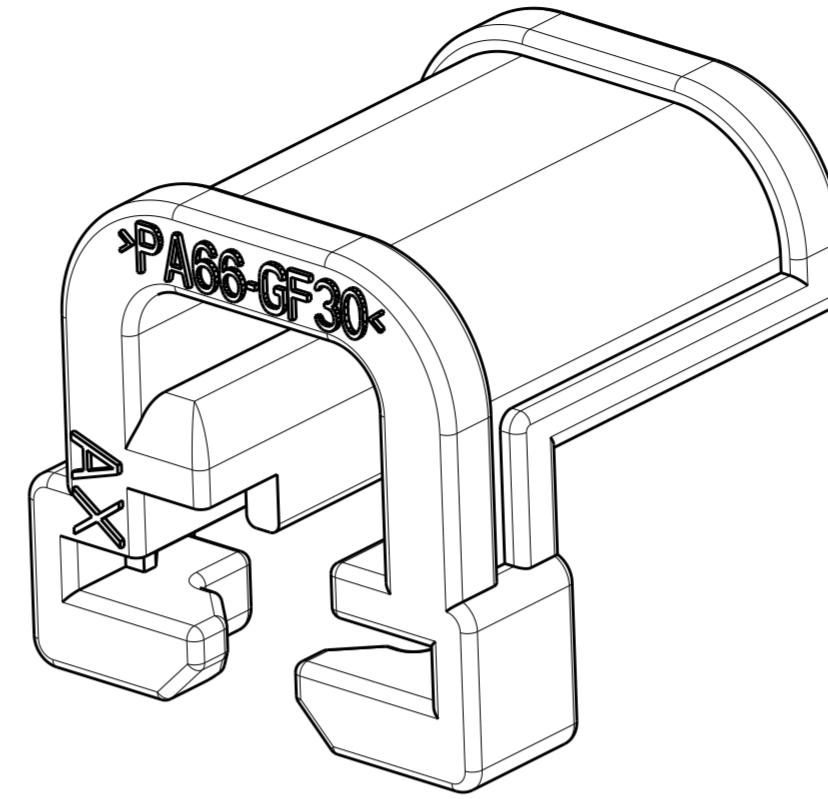


THIS DRAWING IS UNPUBLISHED. RELEASED FOR PUBLICATION 20
 © COPYRIGHT 20 BY - ALL RIGHTS RESERVED.

REVISIONS					
P	LTR	DESCRIPTION	DATE	DWN	APVD
1		FIRST DRAFT	24JAN2014	MBH	PR
2		PRODUCT IMPROVEMENTS	07APR2014	PR	PR
A		9.65 TOL AND NOTE 2 MOD, RELEASED DWG	26AUG2015	PR	PR
A1		MODIFIED NAME FIELD IN TITLE BLOCK	09SEP2015	PR	PR



SCALE 4:1



- 1 MATERIAL: PA66, 30% GLASS FILLED
COLOR: CREAM
- 2 COMPATIBLE FEMALE CONNECTOR, DRAWING NUMBER 2289523,
SHOWN FOR REFERENCE.

2203698-1
TE PART #

THIS DRAWING IS A CONTROLLED DOCUMENT.		DWN M. HITCHCOCK 24 JAN 2014	TE Connectivity	
DIMENSIONS: mm		CHK P. ROMAN 24 JAN 2014		
TOLERANCES UNLESS OTHERWISE SPECIFIED: 0 PLC ±0.0 1 PLC ±0.3 2 PLC ±0.15 3 PLC ±0.05 4 PLC ±0.0 ANGLES ±3A° FINISH -		APVD P. ROMAN 24 JAN 2014	NAME WIRE DRESS COVER 2P PLUG	
MATERIAL 1		PRODUCT SPEC -	APPLICATION SPEC -	RESTRICTED TO -
		WEIGHT -	SIZE A2	CAGE CODE -
		Customer Drawing	DRAWING NO G-2203698	SCALE 3:1
			SHEET 1	OF 1
			REV A1	