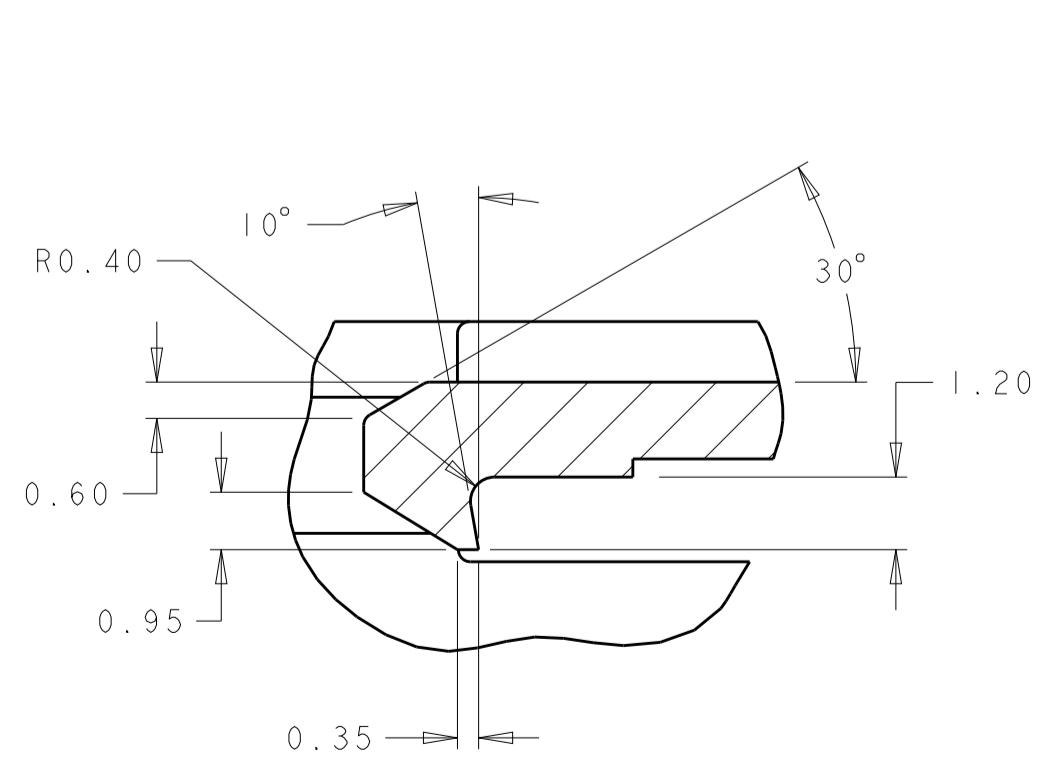
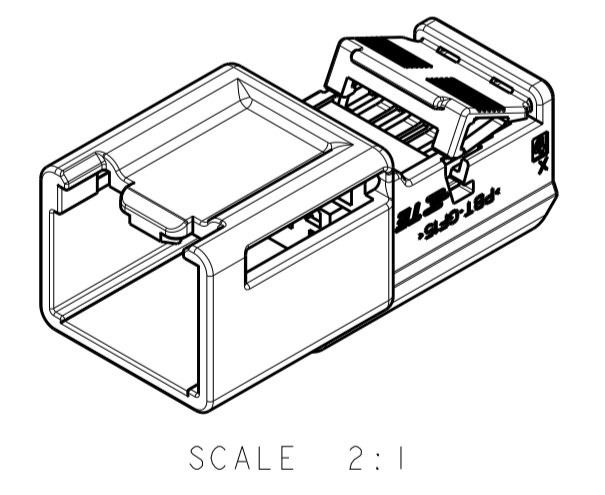
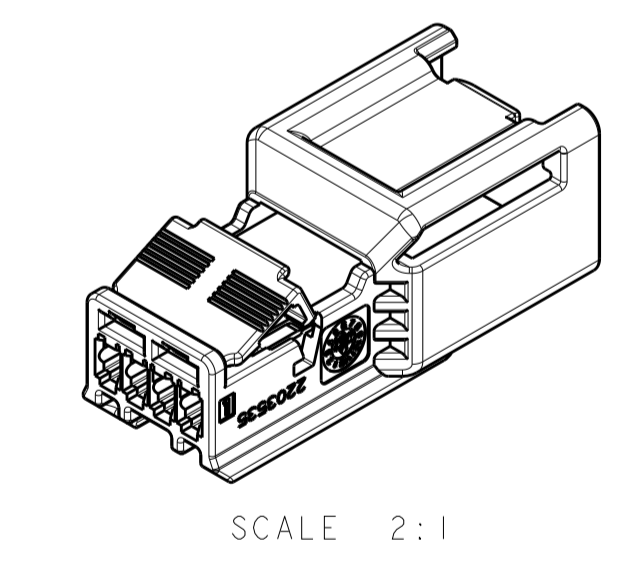
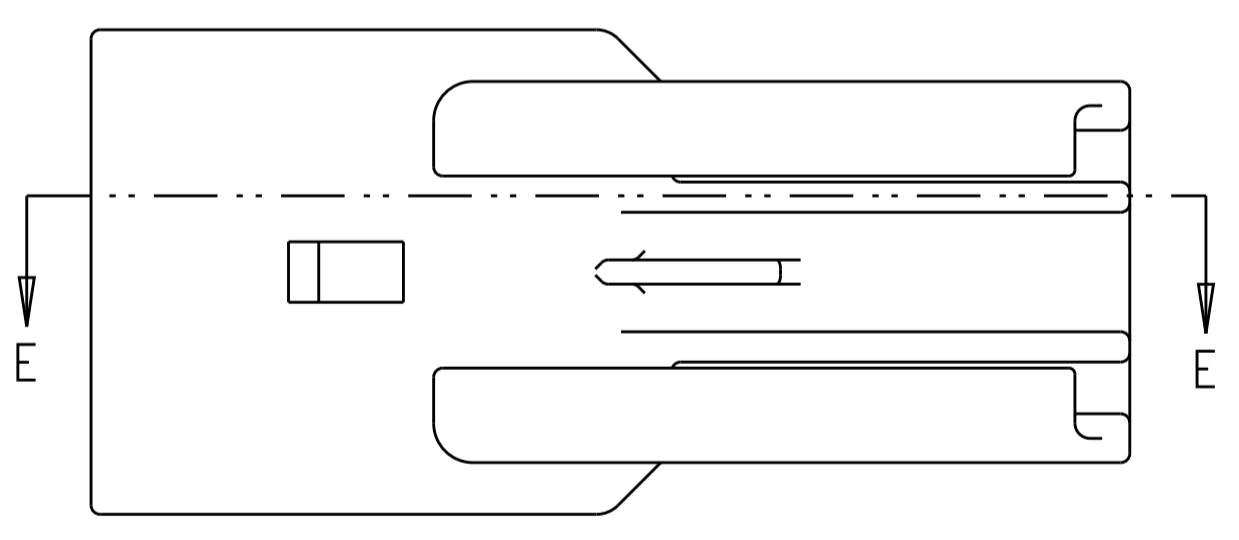
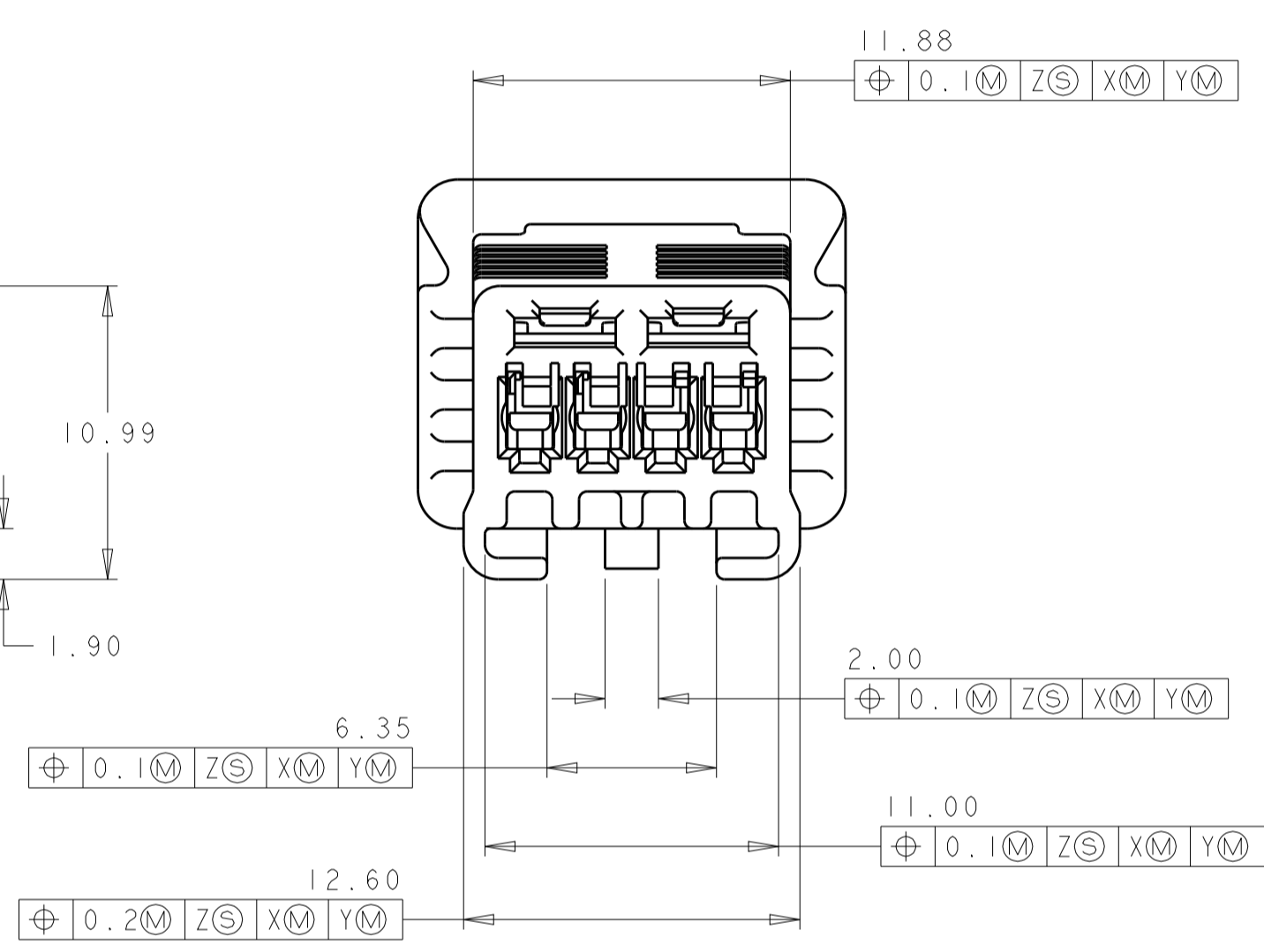
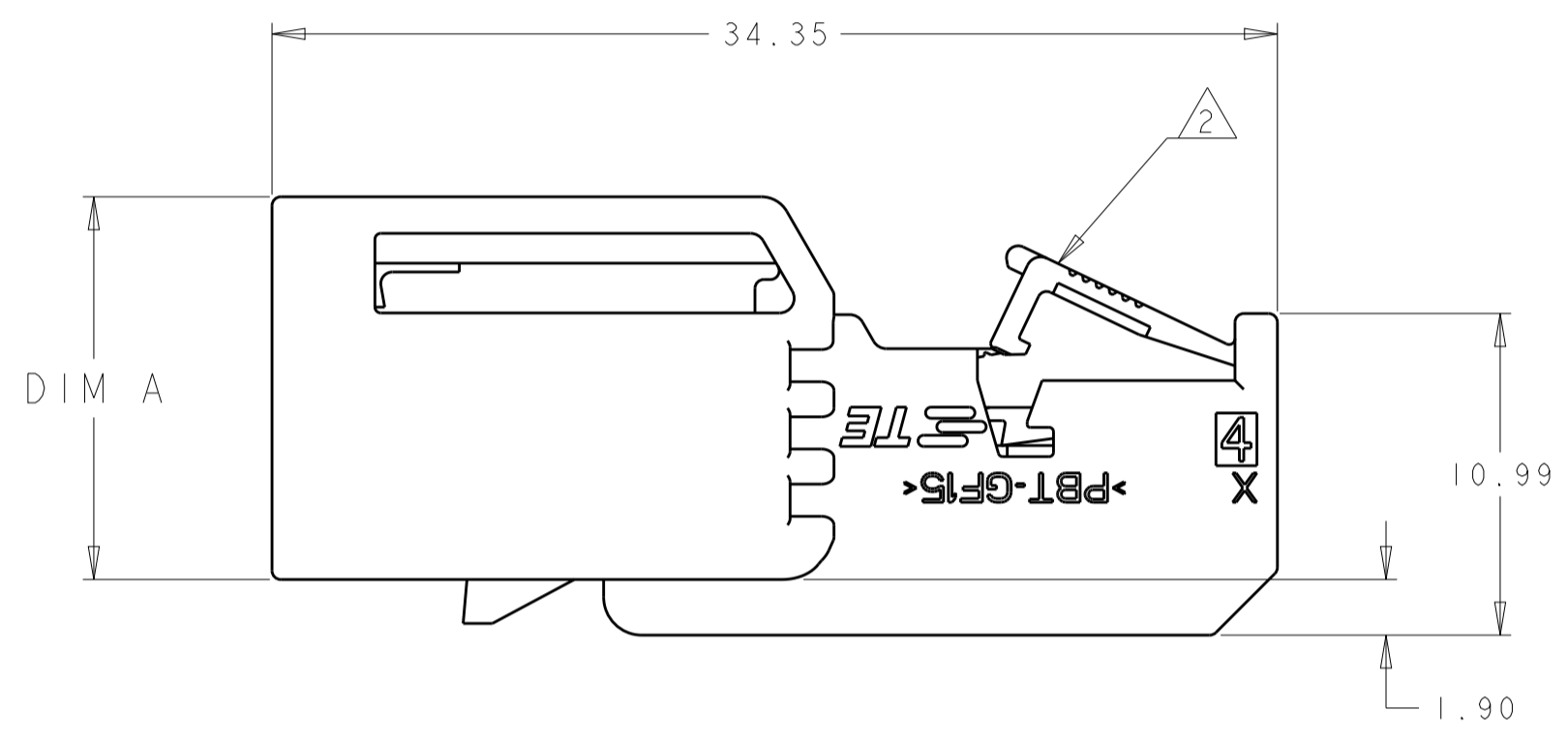
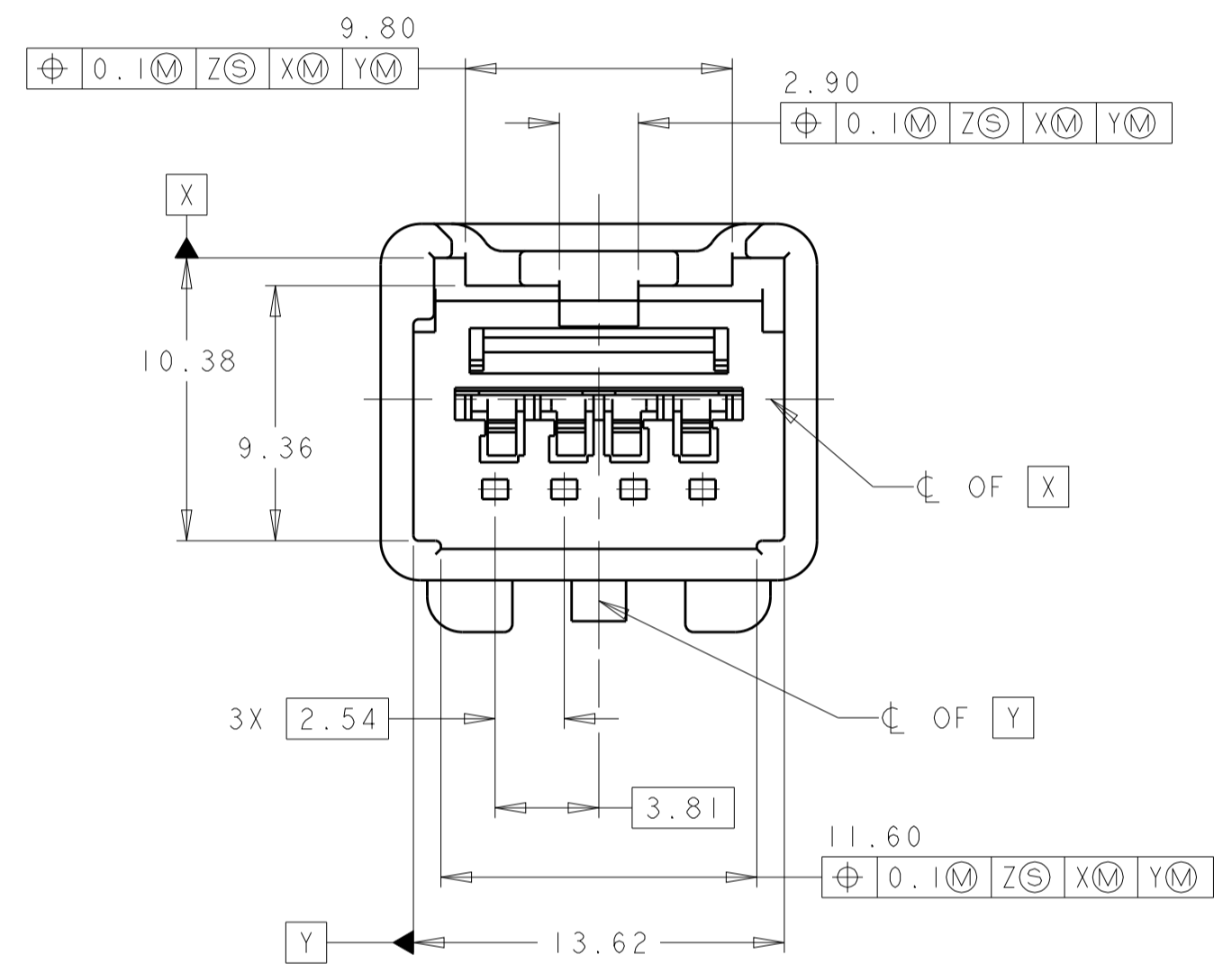
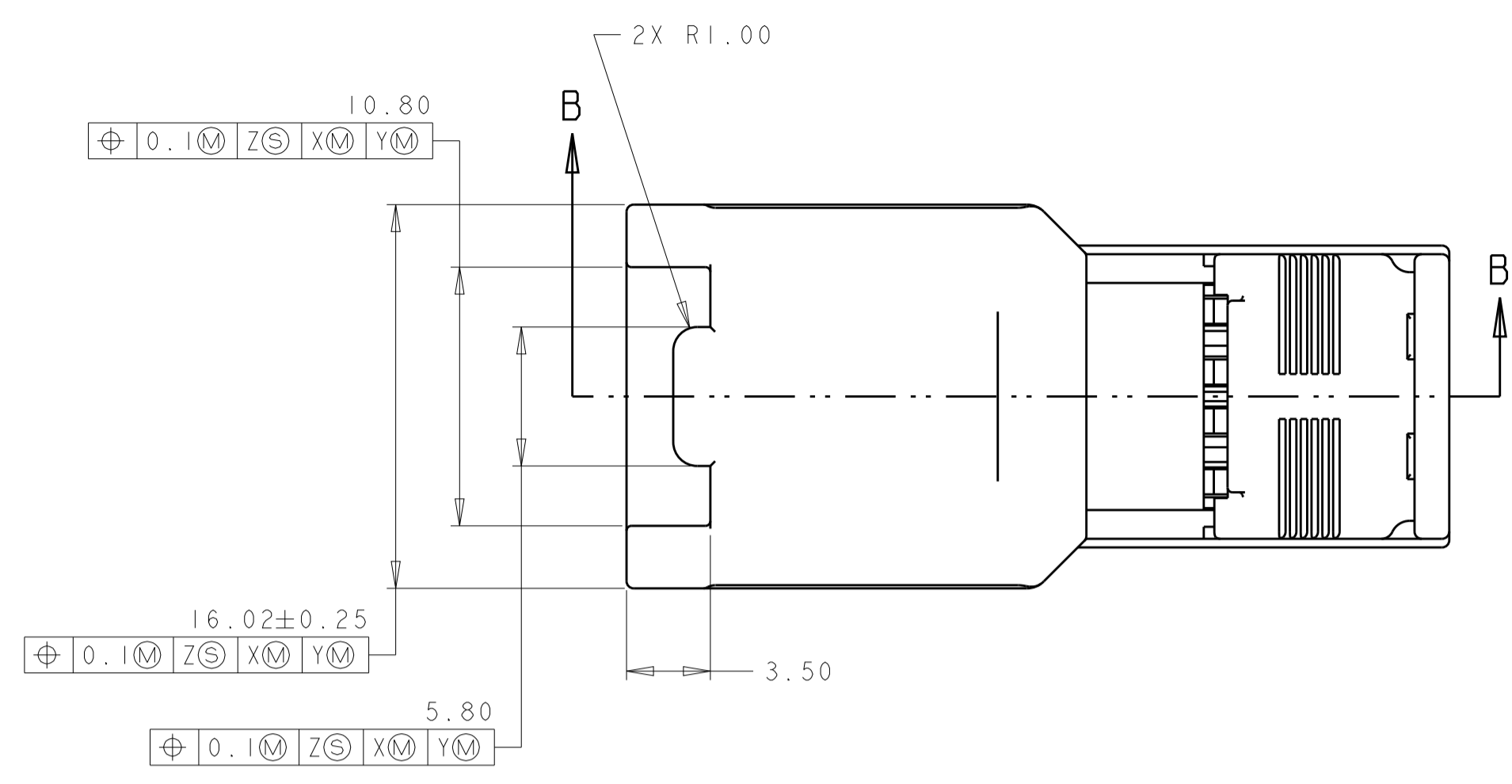
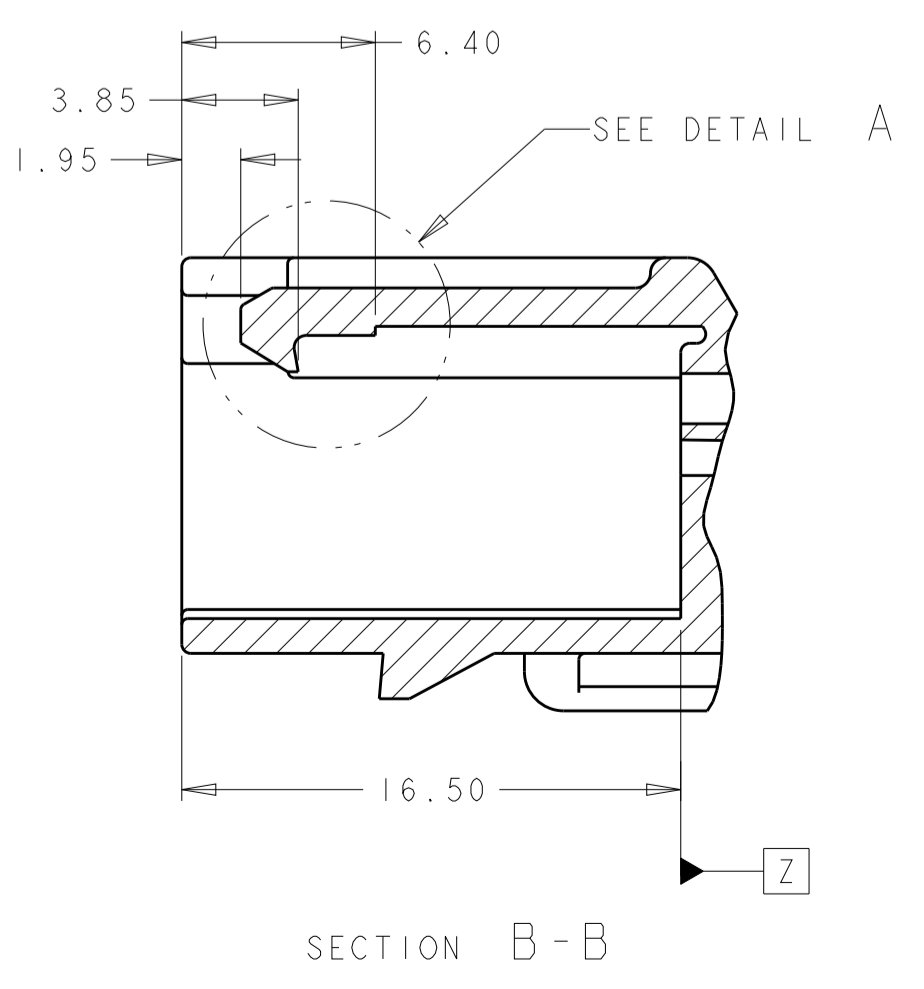


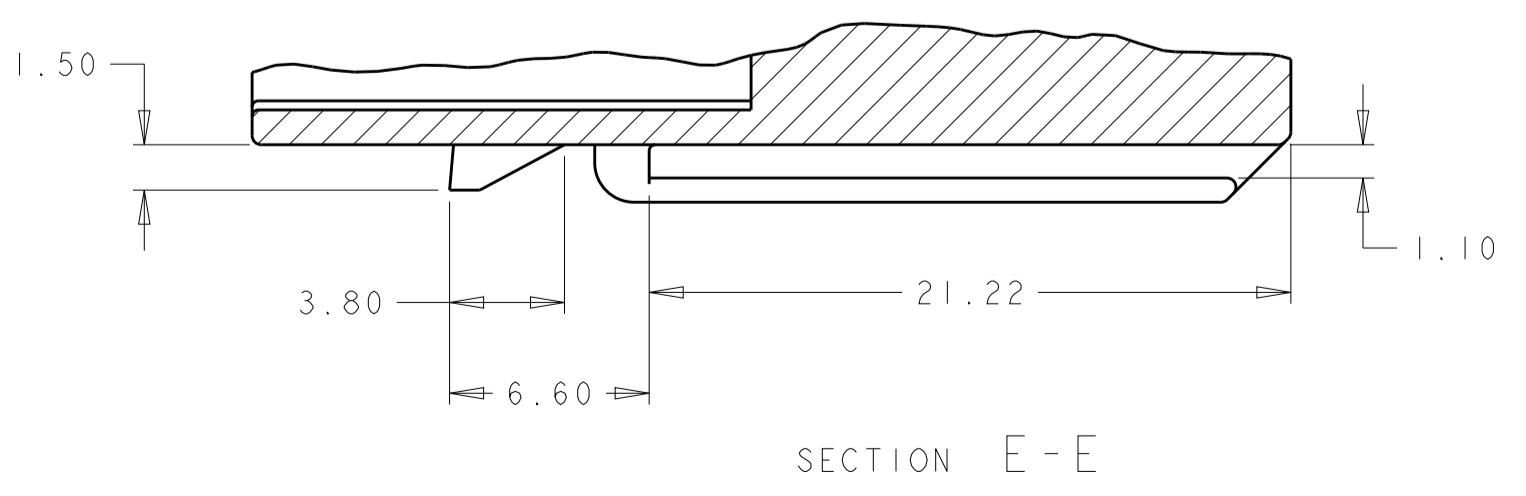
| REVISIONS |     |                            |           |          |
|-----------|-----|----------------------------|-----------|----------|
| P.        | LTN | DESCRIPTION                | DATE      | OWN APVD |
| A         |     | RELEASED PER ECO-14-011370 | 24JUL2014 | DLD RGS  |
| B         |     | REVISED PER ECO-15-005860  | 16APR2015 | DLD RGS  |



DETAIL A  
SCALE 8:1



SECTION B-B



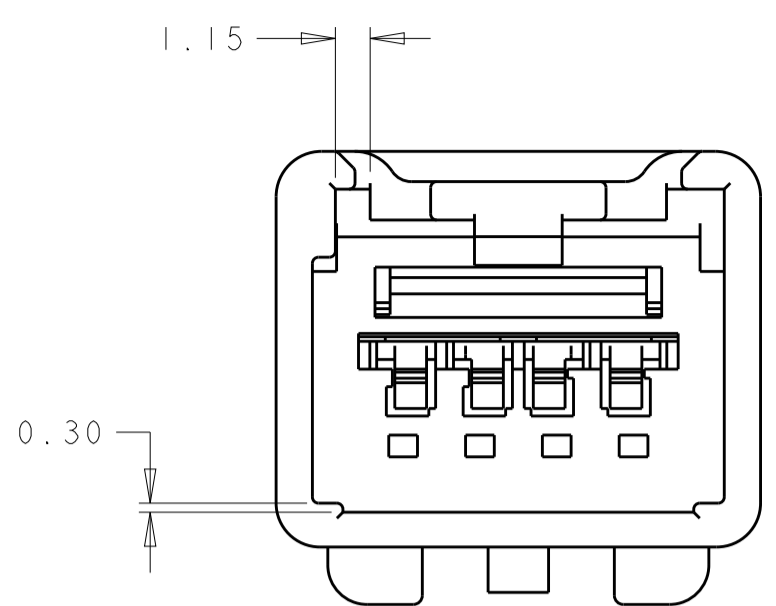
SECTION E-E

- 1. MATERIAL: PBT, 15% GLASS-FILLED  
COLOR: BLACK
- 2. HOUSING SHIPPED WITH SECONDARY LOCK IN PRE-LOCK POSITION, AS SHOWN. SECONDARY LOCK MAY CLOSE INADVERTANTLY DURING SHIPPING, IF THIS OCCURS, RELOCATE SECONDARY LOCK TO OPEN POSITION PRIOR TO INSERTION OF TERMINALS.
- 3. PRODUCT INCORPORATES CLIP SLOT AND RETAINER CLIPLOCK AS DEFINED BY EWCAP-005-11, REV B.
- 4. CAP HOUSING WILL ACCEPT GENERATION Y BLADE CONTACTS.
- 5. FOR ASSEMBLY AND REPAIR INSTRUCTIONS SEE TE SPEC 408-32069.

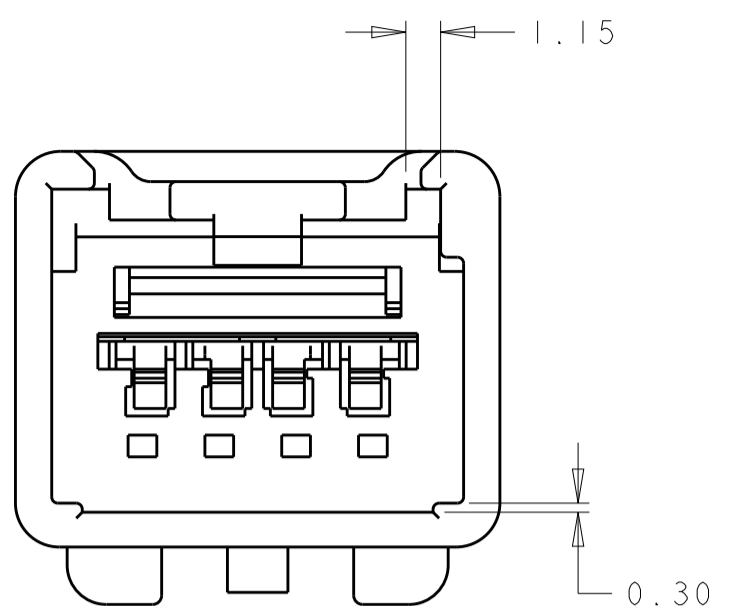
|                              |       |                   |
|------------------------------|-------|-------------------|
| H                            |       | 2203535-8         |
| G                            |       | 2203535-7         |
| F                            |       | 2203535-6         |
| E                            | 14.28 | 2203535-5         |
| D                            |       | 2203535-4         |
| C                            |       | 2203535-3         |
| B                            | 13.08 | 2203535-2         |
| A                            |       | 2203535-1         |
| KEYING OPTION<br>SEE SHEET 2 |       | DIM A PART NUMBER |

|  |       |                                  |  |                    |
|--|-------|----------------------------------|--|--------------------|
| THIS DRAWING IS A CONTROLLED DOCUMENT. |       | OWN: RUSTY WORTHINGTON 06SEP2013 | TE Connectivity                            |                    |
| DIMENSIONS: mm                         |       | CHK: RANDY SIMMONS 06SEP2013     |  |                    |
| TOLERANCES UNLESS OTHERWISE SPECIFIED: |       | APVD: RANDY SIMMONS 06SEP2013    |  |                    |
| 0 PLC                                  | ±     | PRODUCT SPEC                     | HOUSING, 4 POSITION, CONTACTS GENERATION Y |                    |
| 1 PLC                                  | ±0.3  | APPLICATION SPEC                 | SIZE: A100779                              | CAGE CODE: 2203535 |
| 2 PLC                                  | ±0.20 | WEIGHT                           | SCALE: 4:1                                 | SHEET 1 OF 2       |
| 3 PLC                                  | ±     | CUSTOMER DRAWING                 | REV B                                      |                    |
| 4 PLC                                  | ±     |                                  |  |                    |
| ANGLES                                 | ±1°   |                                  |  |                    |
| FINISH                                 | -     |                                  |  |                    |

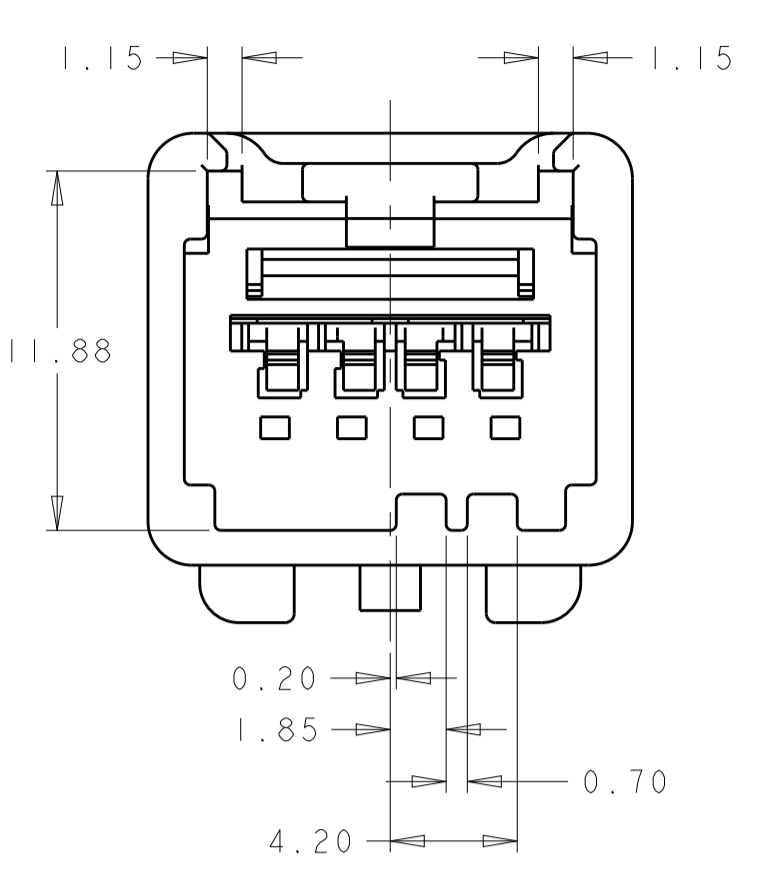
| REVISIONS |     |             |      |      |
|-----------|-----|-------------|------|------|
| P.        | LTN | DESCRIPTION | DATE | APVD |
| -         | -   | SEE SHEET 1 | -    | -    |
|           |     |             |      |      |
|           |     |             |      |      |



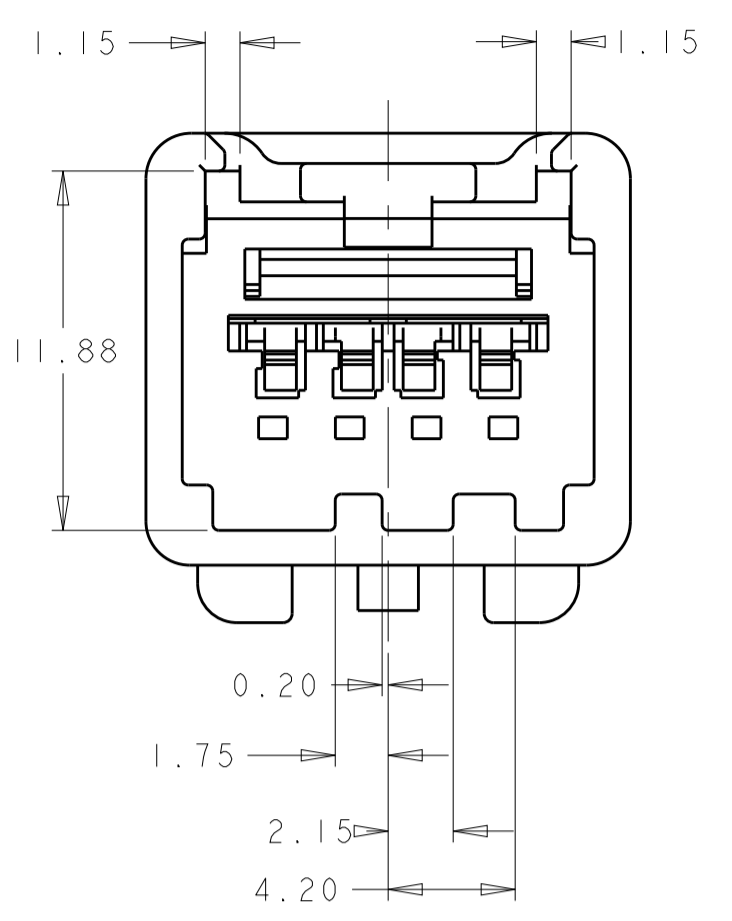
2203535-1  
KEY A



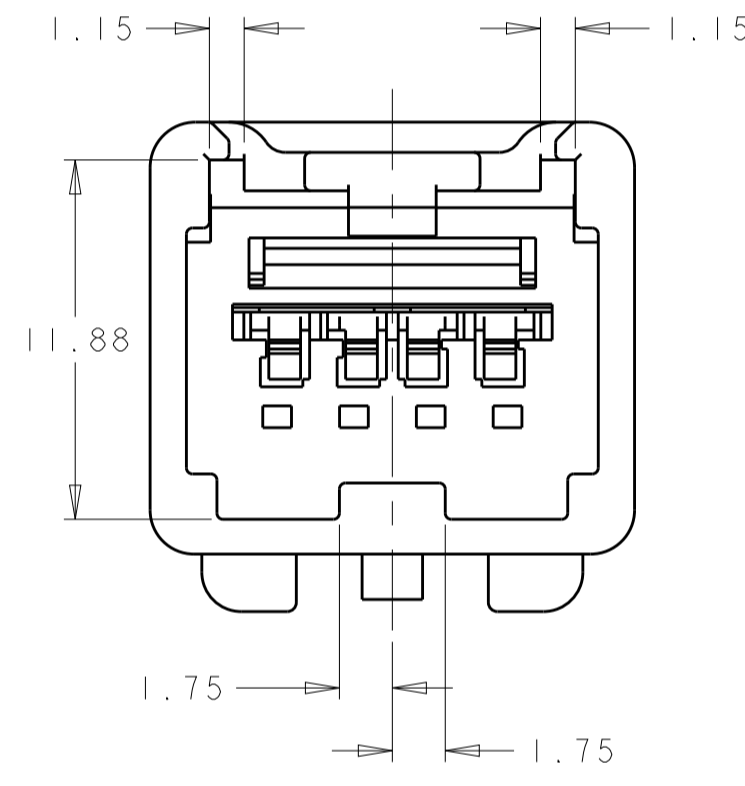
2203535-2  
KEY B



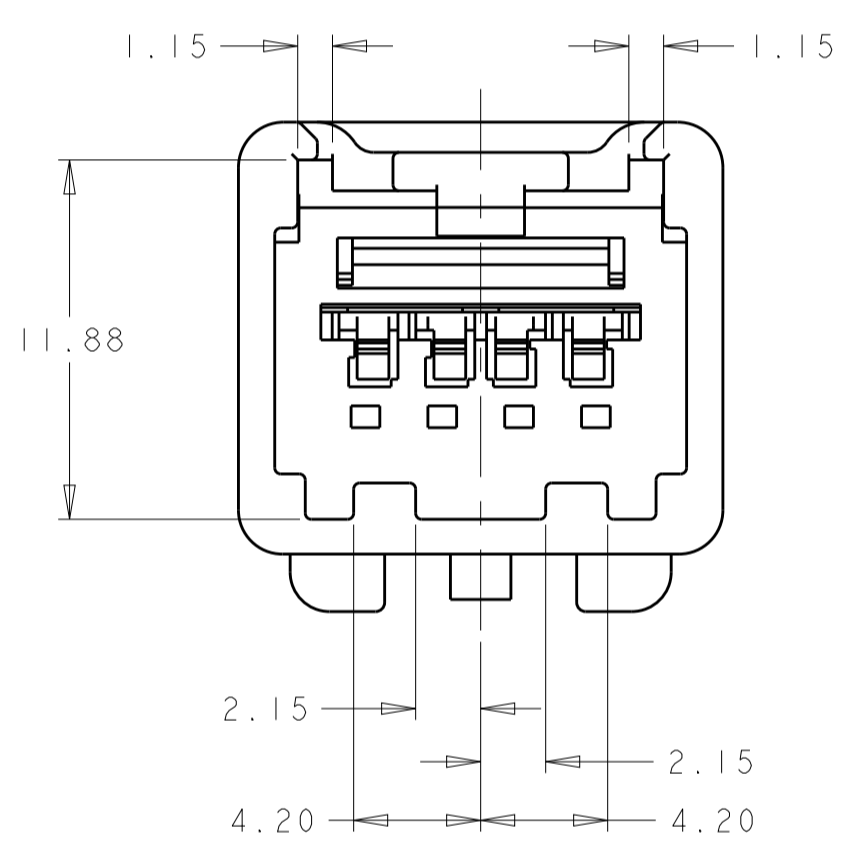
2203535-3  
KEY C



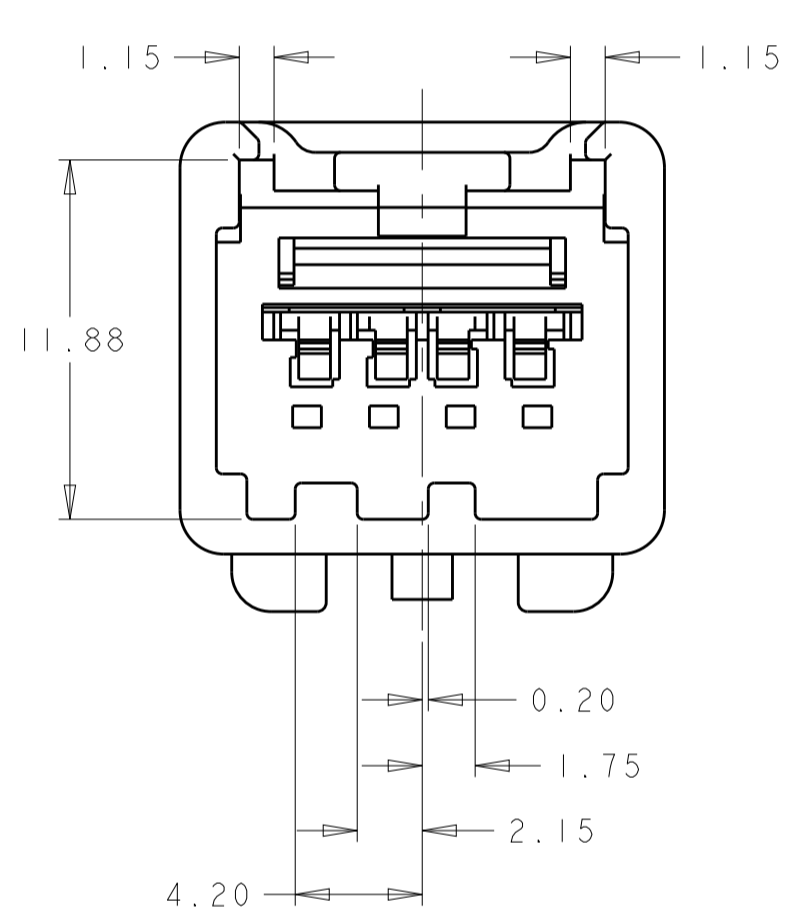
2203535-4  
KEY D



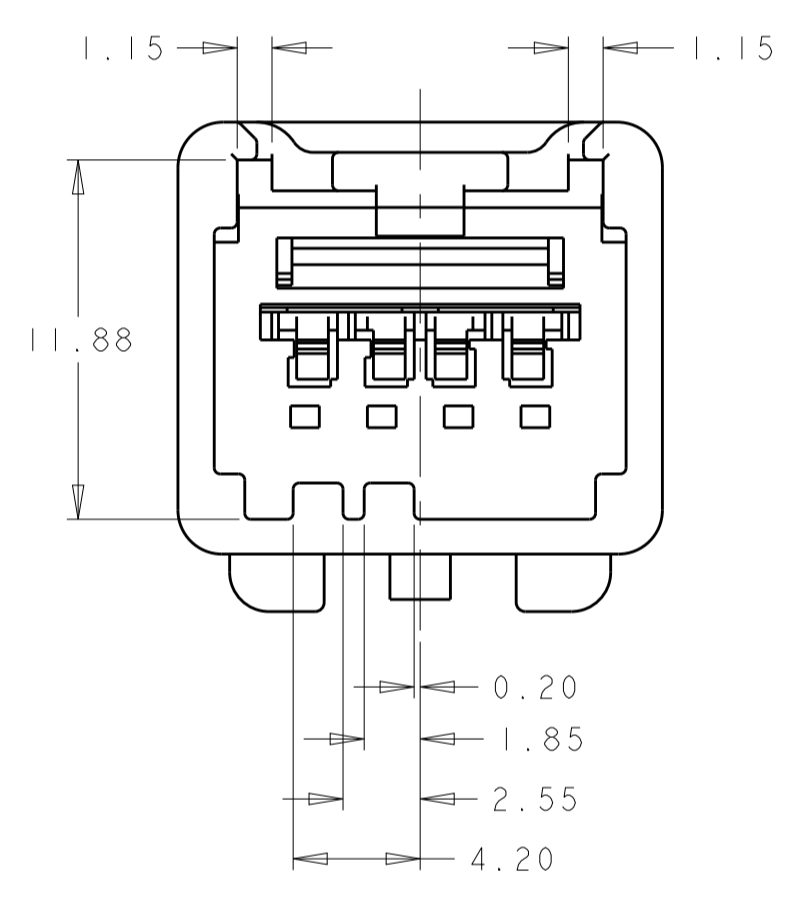
2203535-5  
KEY E



2203535-6  
KEY F



2203535-7  
KEY G



2203535-8  
KEY H

|  |  |  |  |   |
|--|--|--|--|---|
| THIS DRAWING IS A CONTROLLED DOCUMENT. |  | DWN: RUSTY WORTHINGTON 06SEP2013<br>CHK: RUSTY WORTHINGTON 06SEP2013<br>RANDY SIMMONS<br>APVD: RANDY SIMMONS 06SEP2013 |  |   |
| DIMENSIONS: mm<br>                     |  | TOLERANCES UNLESS OTHERWISE SPECIFIED:<br>0 PLC ±<br>1 PLC ±0.3<br>2 PLC ±0.20<br>3 PLC ±<br>4 PLC ±<br>ANGLES ±1°     |  | NAME: HOUSING, 4 POSITION, CONTACTS GENERATION Y<br>PRODUCT SPEC:<br>APPLICATION SPEC:<br>WEIGHT: |
| MATERIAL: -                            |  | SIZE: A100779<br>CAGE CODE: C=2203535<br>CUSTOMER DRAWING  |  | RESTRICTED TO: -<br>SCALE: 4:1<br>SHEET: 2 OF 2<br>REV: B   |