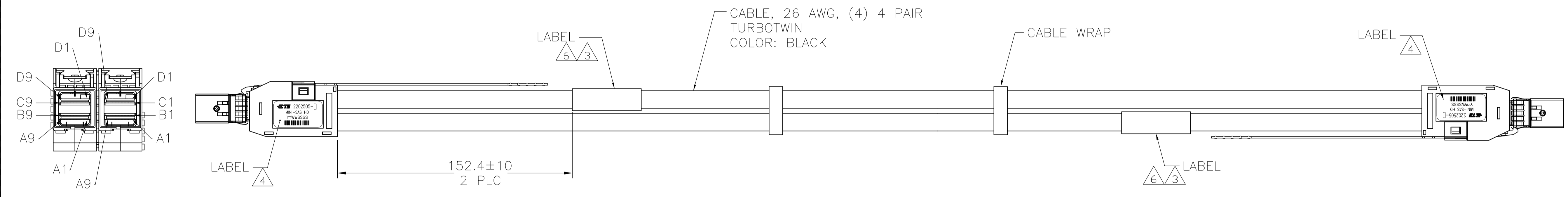
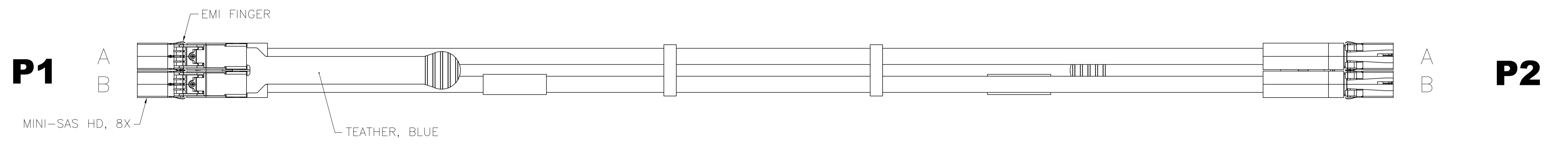
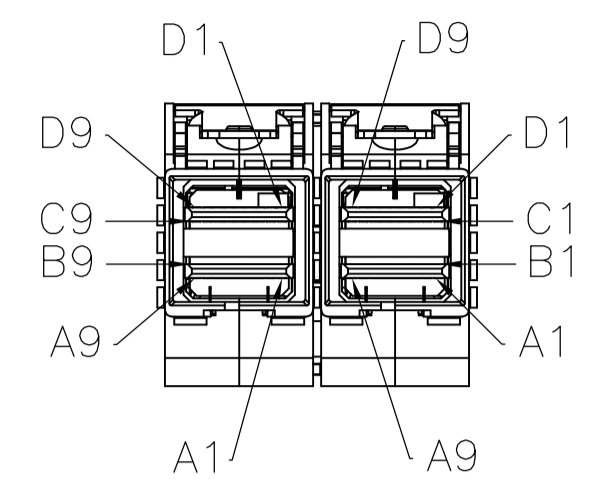
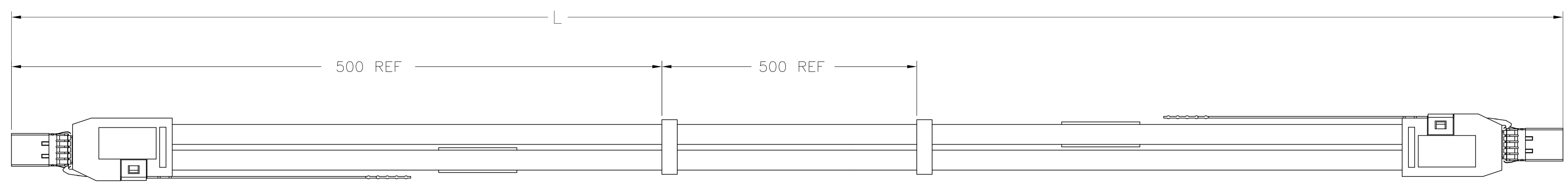
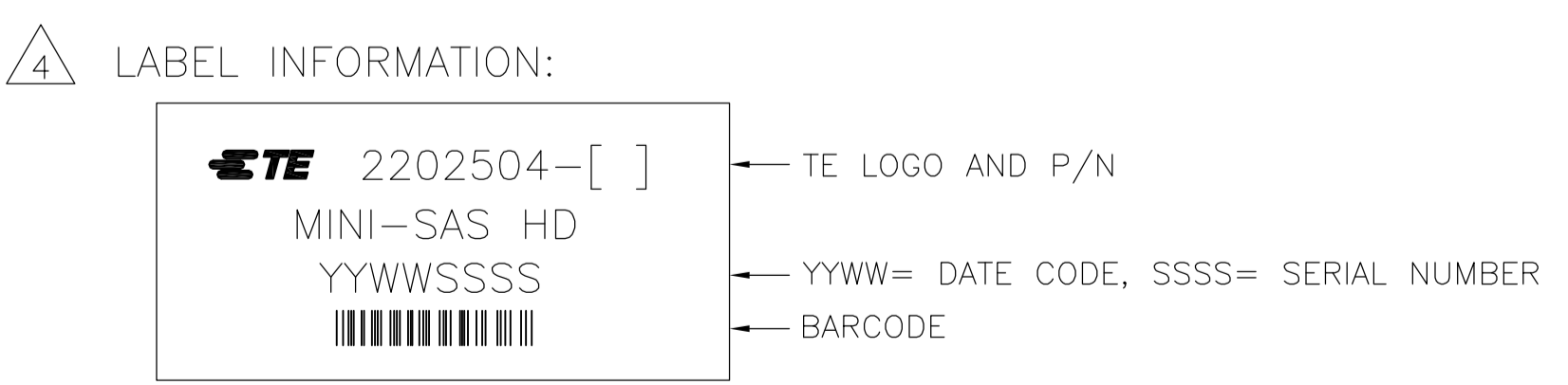
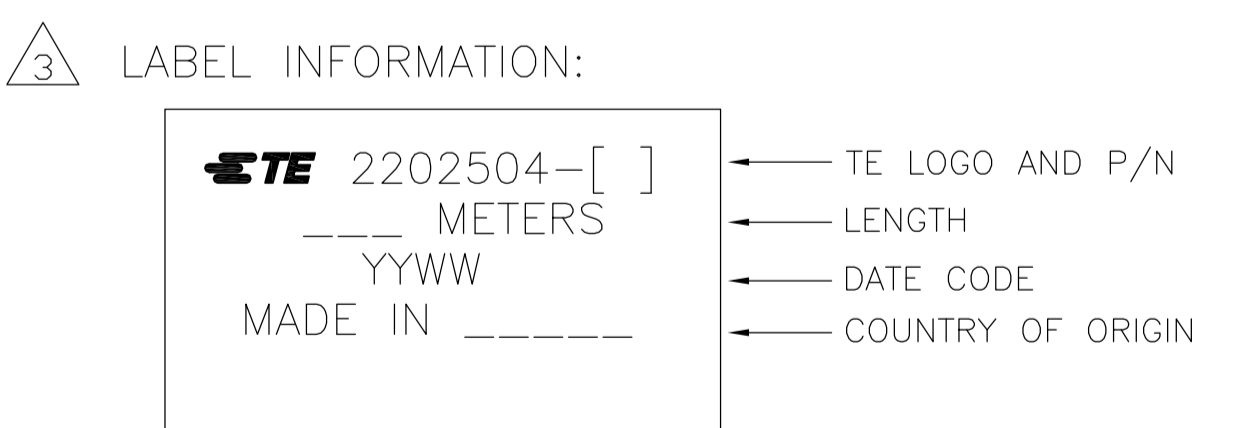


REVISIONS					
P	LTR	DESCRIPTION	DATE	DWN	APVD
E		REVISED PER ECO-15-016946	21MAR2016	PL	GF



1. ASSEMBLY TESTED FOR CONTINUITY, OPENS, SHORTS, EEPROM PROGRAM AND SIGNAL INTEGRITY.
2. ROHS AND REACH COMPLIANCE: PRODUCT AND PROCESSING MEETS REQUIREMENTS OF TE SPECIFICATION TEC-138-702.

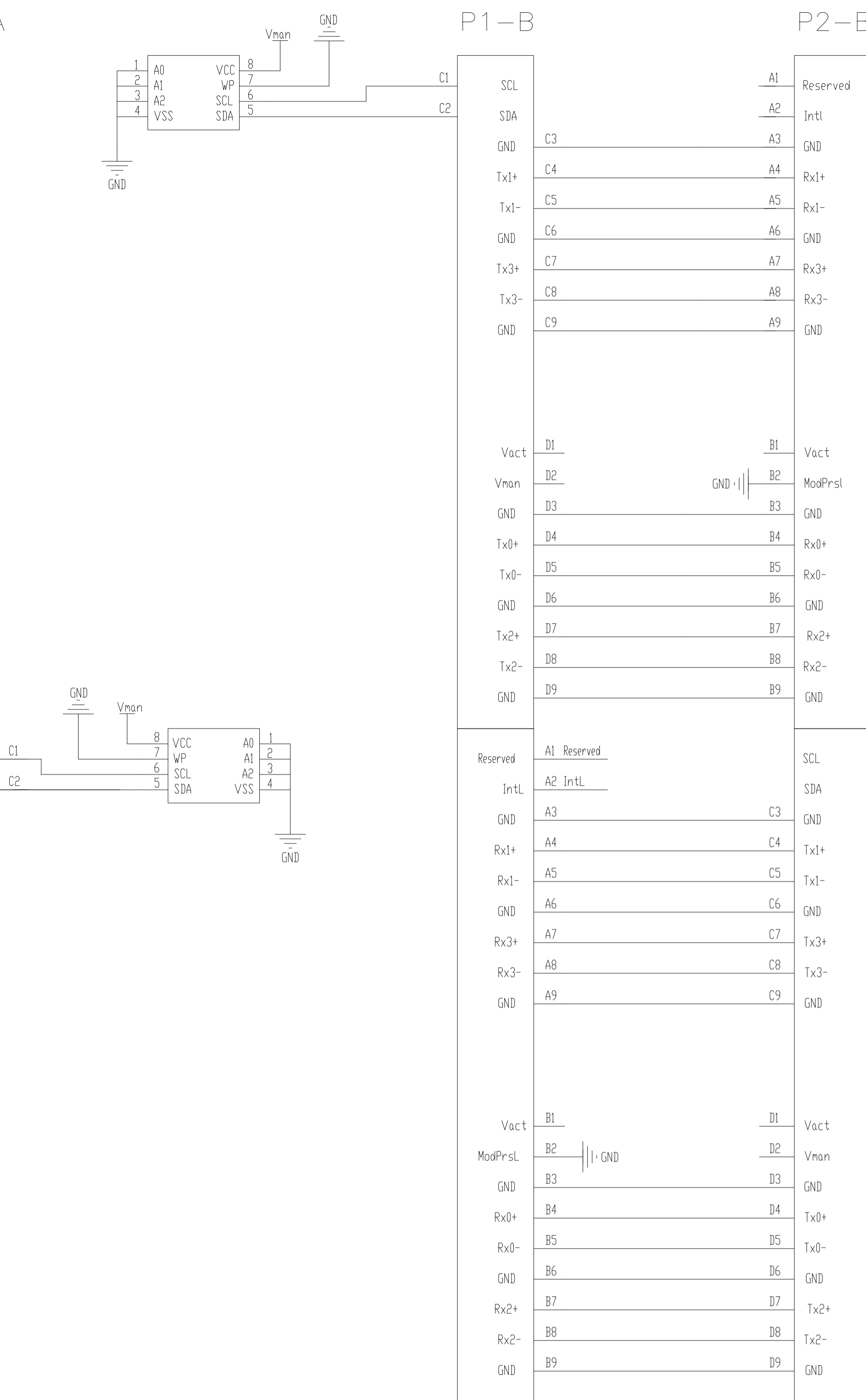
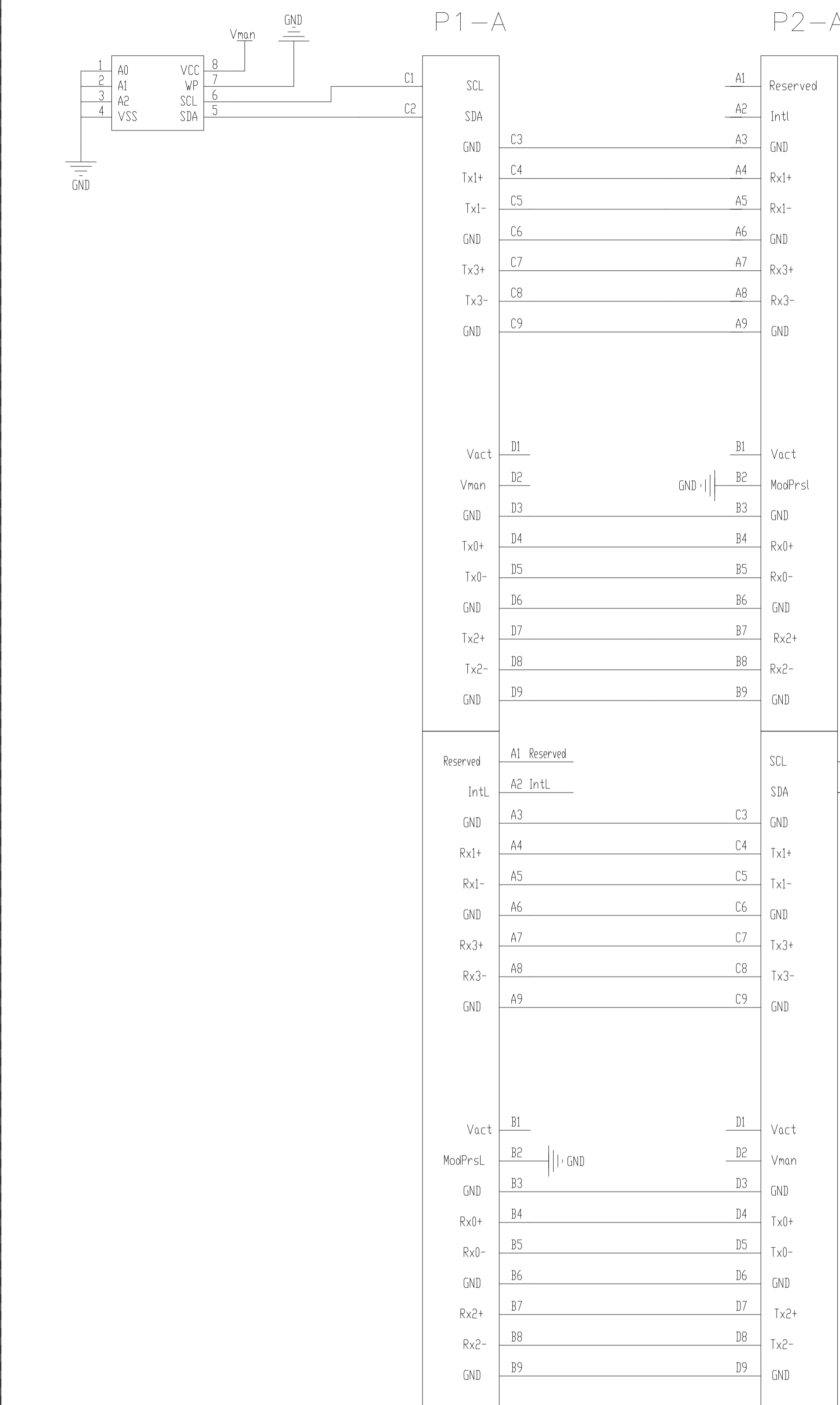


5. EEPROM PROGRAMMED PER TE DOCUMENT 2202504_EEPROM.
- △6 -1 ONLY: LABEL IS APPLIED TO THE CENTER OF CABLE ASSEMBLY.

7	+0.1 -0	METERS	2202504-8
6	+0.1 -0	METERS	2202504-7
5	+0.1 -0	METERS	2202504-6
4	+0.08 -0	METERS	2202504-5
3	+0.08 -0	METERS	2202504-4
2	+0.08 -0	METERS	2202504-3
1	+0.08 -0	METERS	2202504-2
0.5	+0.05 -0	METERS	2202504-1 △6
L			PART NO

THIS DRAWING IS A CONTROLLED DOCUMENT.		DIN P.LI 09MAR2012	TE Connectivity	
DIMENSIONS: mm		CHK J.MEYERS 09MAR2012		
TOLERANCES UNLESS OTHERWISE SPECIFIED:		APVD J.MEYERS 09MAR2012	NAME	
0 PLC	± -	CABLE ASSEMBLY, 26 AWG TURBOTWIN, MINI-SAS HD, 8X		
1 PLC	± -	PRODUCT SPEC		
2 PLC	± -	APPLICATION SPEC		
3 PLC	± -	SIZE		
4 PLC	± -	WEIGHT		
ANGLES	± -	CUSTOMER DRAWING		
MATERIAL		SCALE 1:1		SHEET 1 OF 2
FINISH		REV		

REVISIONS				
P	LYR	DESCRIPTION	DATE	APPV
-	-	SEE SHEET 1	-	-



THIS DRAWING IS A CONTROLLED DOCUMENT.		DIN P. LI 09MAR2012	TE Connectivity
DIMENSIONS: mm		CHK J. MEYERS 09MAR2012	
TOLERANCES UNLESS OTHERWISE SPECIFIED: 0. PLC ± - 1. PLC ± - 2. PLC ± - 3. PLC ± - 4. PLC ± - ANGLES ± -		APPV J. MEYERS 09MAR2012	NAME CABLE ASSEMBLY, 26 AWG TURBOTWIN, MINI-SAS HD, 8X
MATERIAL		WEIGHT	RESTRICTED TO
FINISH		SCALE 1:1	SHEET 2 OF 2
CUSTOMER DRAWING		SIZE A1	REV E