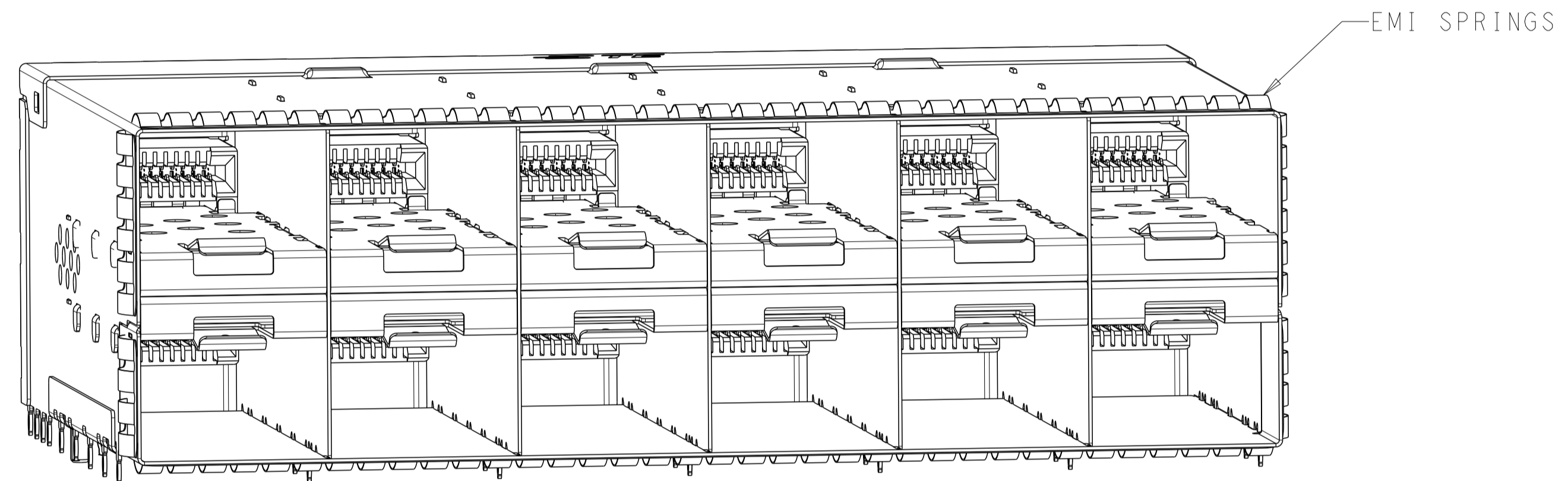


2198339-1
SCALE 3:1

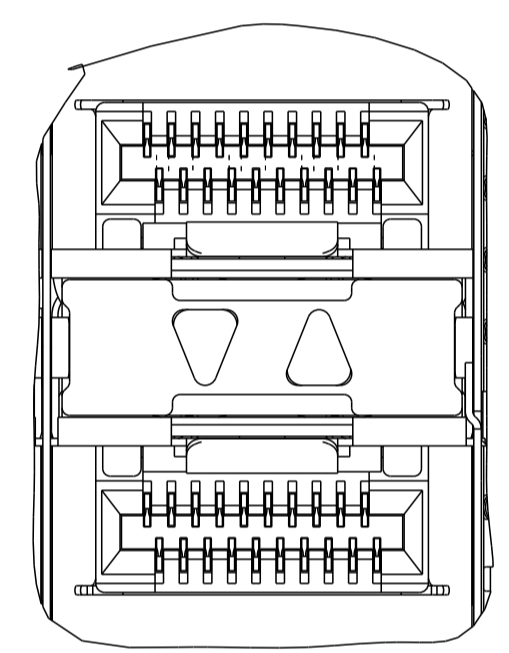
- MATERIALS:**
 CAGE ASSEMBLY - NICKEL-SILVER ALLOY PER ASTM B 122
 CONNECTOR HOUSING - LCP, BLACK, UL 94V-0 RATED
 CONNECTOR HOUSING SHIELD - COPPER ALLOY
 CHICKLET - LCP, BLACK, UL 94V-0 RATED
 CHICKLET ALIGNMENT CLIP - PBT
 CONTACT - COPPER ALLOY
 EMI GASKET - ELASTOMERIC
 GASKET FLANGE - STAINLESS STEEL
 EMI SPRINGS - PHOSPHOR BRONZE PER ASTM B 103,
 0.8µm MIN TIN PER ASTM B 545
 LIGHT PIPE - POLYCARBONATE
 LIGHT PIPE HOUSING - ZINC ALLOY
 INSULATOR TAPE:KAPTON
- CONTACT FINISH:**
 CONFORMS TO THE REQUIREMENTS OF PRODUCT SPECIFICATION 108-2481, BASED ON EIA/ECA-364-1000.01A, (CONTROLLED ENVIRONMENT APPLICATIONS) ON MATING INTERFACE, TIN ON NEEDLE EYE
- PCB MINIMUM THICKNESS = 1.5mm**

- ⚠ FOR HOLE SIZE AND PLATINGS, SEE APPLICATION SPECIFICATION 114-13319
- ⚠ LIGHT PIPE PAD LAYOUT IS FOR 0805 LOW PROFILE LED PACKAGE WITH A HEIGHT OF 0.8mm
- ⚠ DIMENSIONS APPLY FOR EMI SPRINGS ONLY
- ⚠ THE ENTIRE AREA OF THE CONNECTOR FOOTPRINT, INDICATED BY THE DASHED LINE, TO BE CONSIDERED THE KEEPOUT AREA FOR COMPONENTS AND SIGNAL TRACES, TOP SIDE ONLY, TOP SIDE TRACES ALLOWED WITHIN CONNECTOR HOLE PATTERN

LOC	DIST	REVISIONS					
GP	00	P	LTN	DESCRIPTION	DATE	OWN	APVD
		B1		REVISED PER ECO-16-004263	17MAR2016	KO	SH
		B2		REVISED PER ECO-16-013988	05SEP2016	PP	SH
		C		REVISED PER ECN-22-166164	26JUL2022	IT	SZ
		C1		3-2 PN ADDED	20MAY2024	KH	SZ

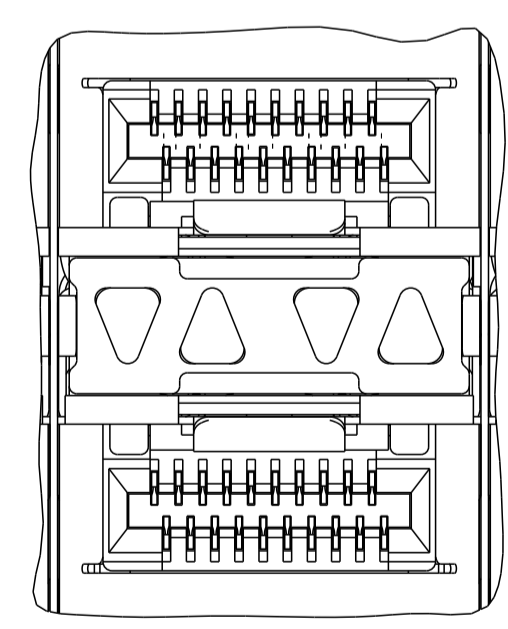


2198339-5
SCALE 3:1

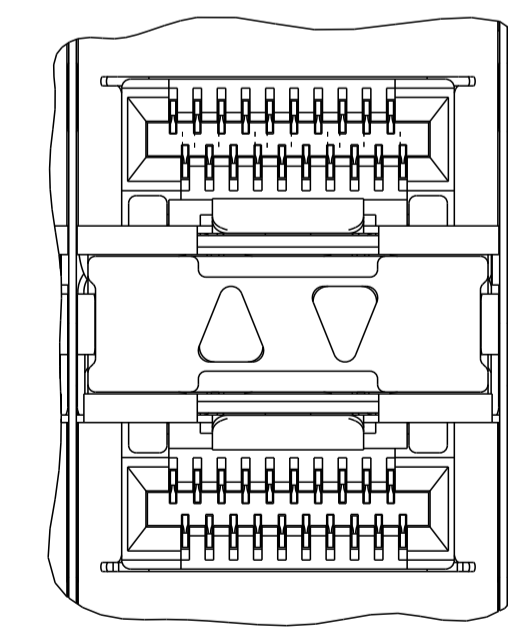


REVERSED INNER LIGHT PIPES
2-2198339-1
SCALE 4:1

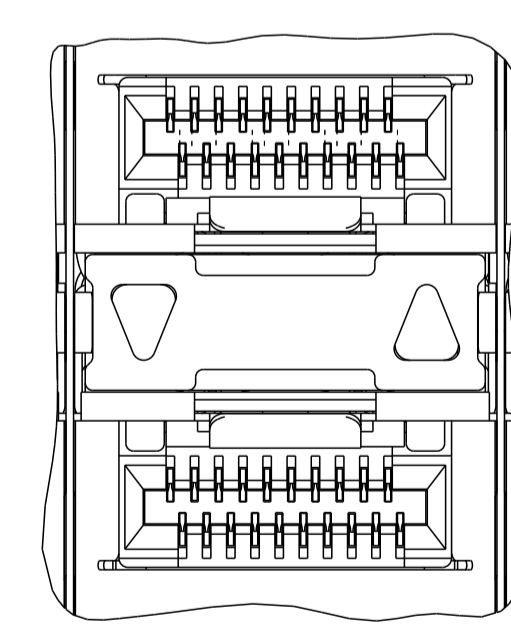
88	EMI SPRING AIRFLOW ENHANCE TYPE	NONE	3-2198339-2
88	EMI SPRING AIRFLOW ENHANCE TYPE	NONE	3-2198339-1
90.75	EMI GASKET AIRFLOW ENHANCE TYPE	NONE	3-2198339-0
88	EMI SPRINGS	REVERSED INNER	2-2198339-1
		REVERSED OUTER	2-2198339-0
		CENTER/REVERSED OUTER	1-2198339-9
90.75	EMI GASKET	REVERSED OUTER	1-2198339-8
		CENTER/REVERSED OUTER	1-2198339-7
88	NICKEL PLATED ONLY EMI SPRING	2 OUTER SLOTS INNER REVERSED	1-2198339-4
88	EMI SPRINGS	OUTER	2198339-8
		INNER	2198339-7
		INNER/OUTER	2198339-6
		NONE	2198339-5
90.75	EMI GASKET	OUTER	2198339-4
		INNER	2198339-3
		INNER/OUTER	2198339-2
		NONE	2198339-1
(E)	CAGE TYPE	LIGHT PIPE CONFIGURATION	PART NUMBER



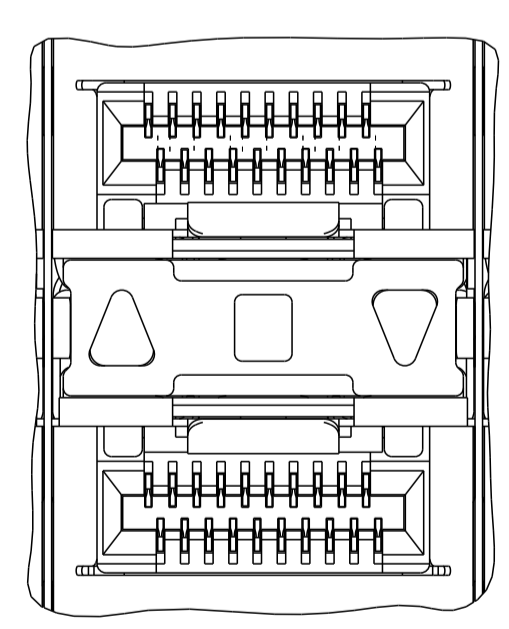
INNER/OUTER LIGHT PIPES
2198339-2, 2198339-6
SCALE 4:1



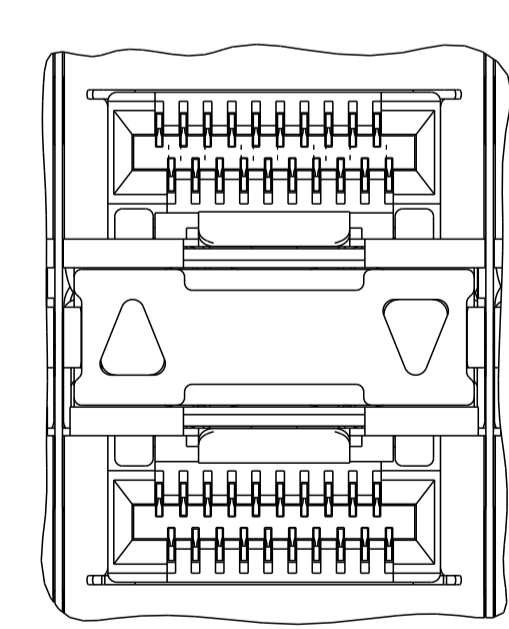
INNER LIGHT PIPES
2198339-3, 2198339-7
SCALE 4:1



OUTER LIGHT PIPES
2198339-4, 2198339-8
SCALE 4:1



CENTER/REVERSED OUTER
1-2198339-7, 1-2198339-9
SCALE 4:1



REVERSED OUTER
1-2198339-8, 2-2198339-0
SCALE 4:1

THIS DRAWING IS A CONTROLLED DOCUMENT. OWN: M.E. CONNER 07DEC2011
 CHK: M.D. MORRISON 13DEC2011
 APVD: M.D. MORRISON 13DEC2011

STE TE Connectivity

NAME: RECEPTACLE ASSEMBLY ,2X6 STACKED ,zSFP+

PRODUCT SPEC: 108-2481
 APPLICATION SPEC: 114-13319

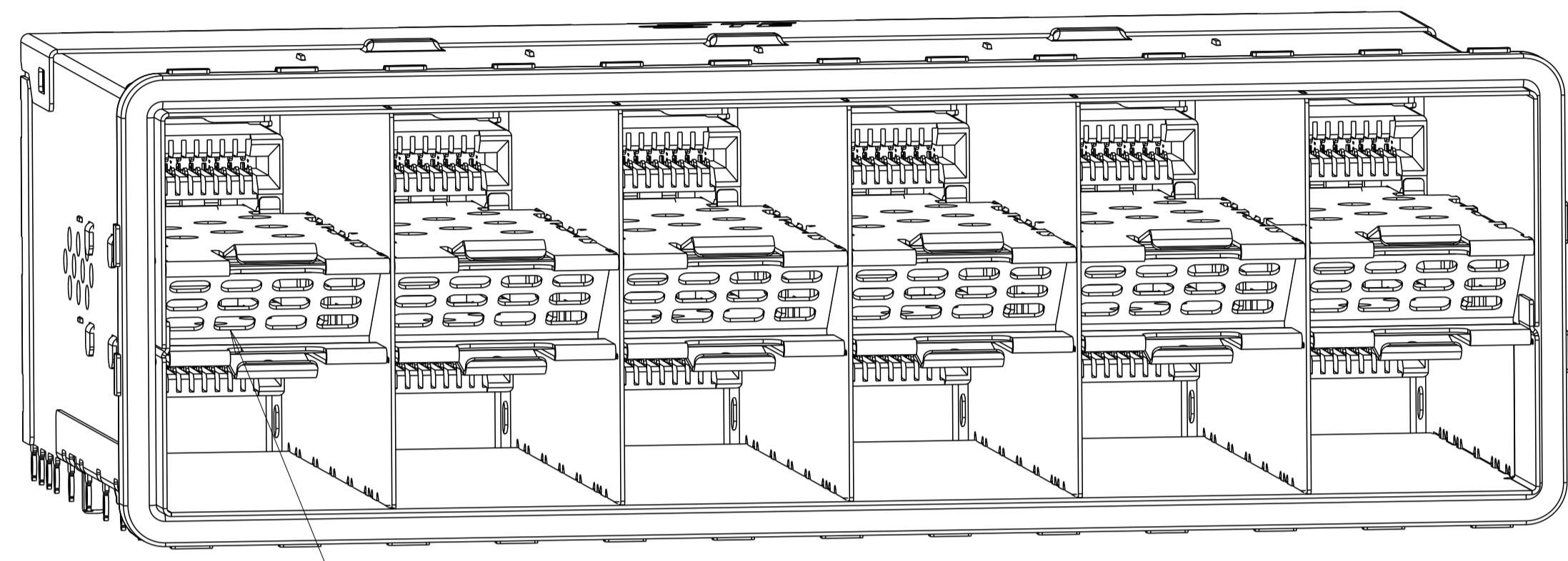
SIZE: CAGE CODE DRAWING NO: A100779C=2198339
 RESTRICTED TO: -

MATERIAL: SEE NOTES
 FINISH: SEE NOTES

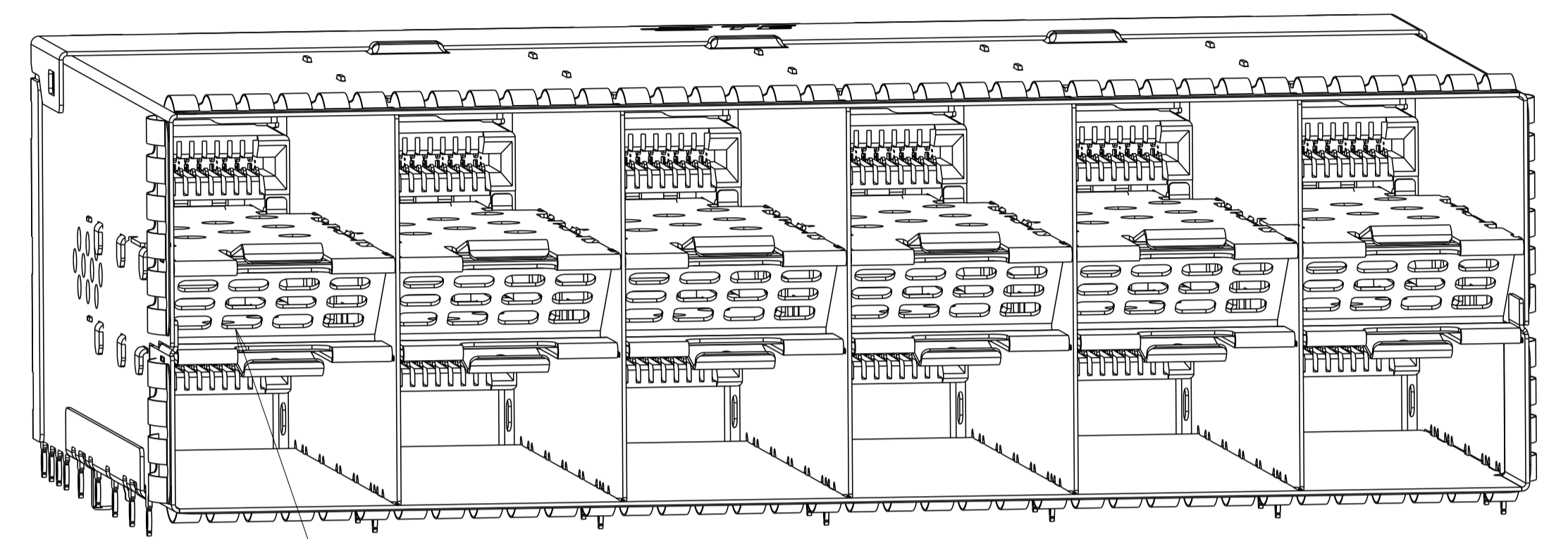
CUSTOMER DRAWING SCALE: 4:1 SHEET 1 OF 7 REV: C1

LOC		DIST		REVISIONS			
GP	00	P	LYR	DESCRIPTION	DATE	OWN	APVD
-	-	-	-	SEE SHEET 1	-	-	-

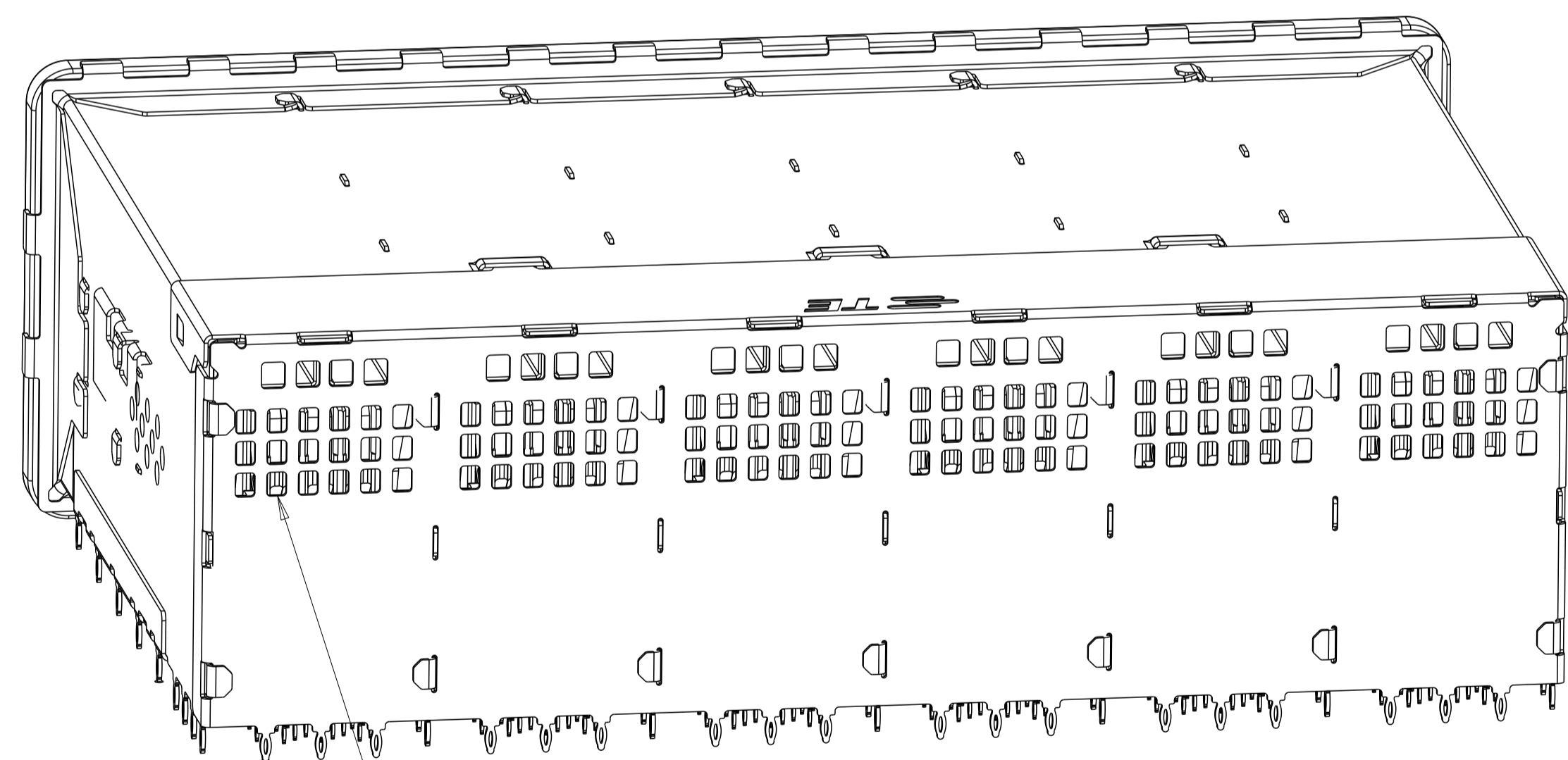
AIRFOLW ENHANCE TYPE



AIR VENTS

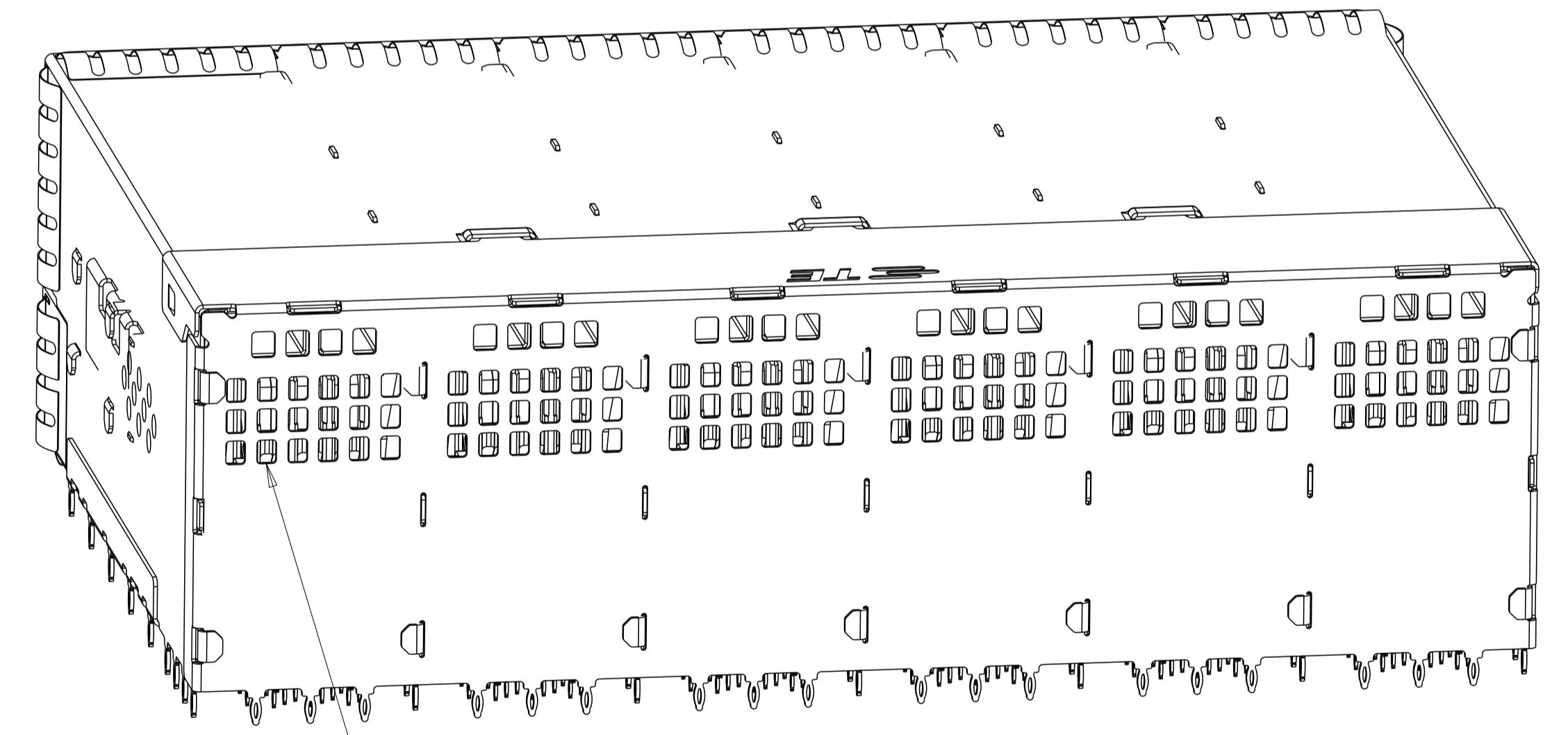


AIR VENTS



AIR VENTS

3-2198339-0
EMI GASKET TYPE



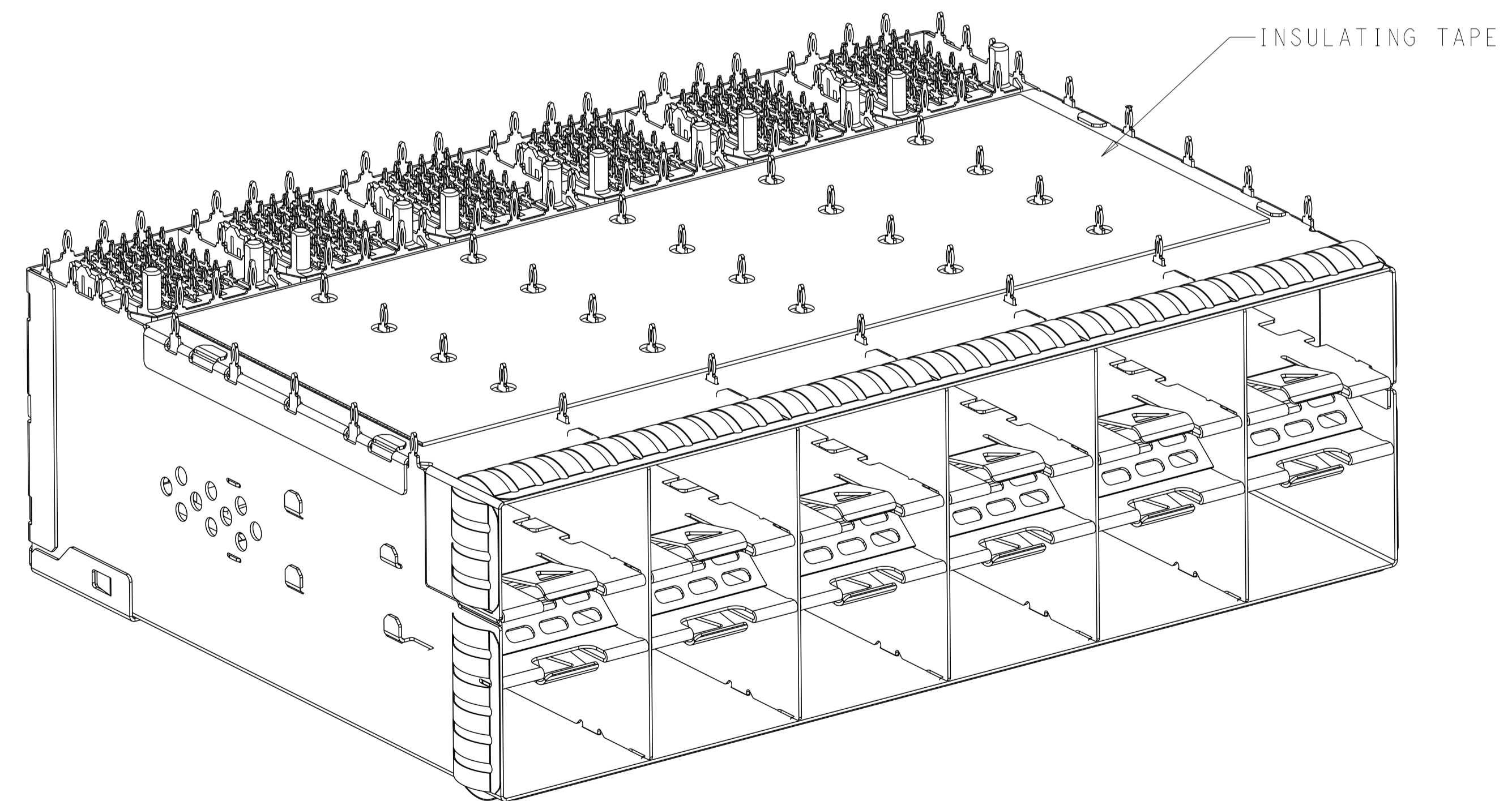
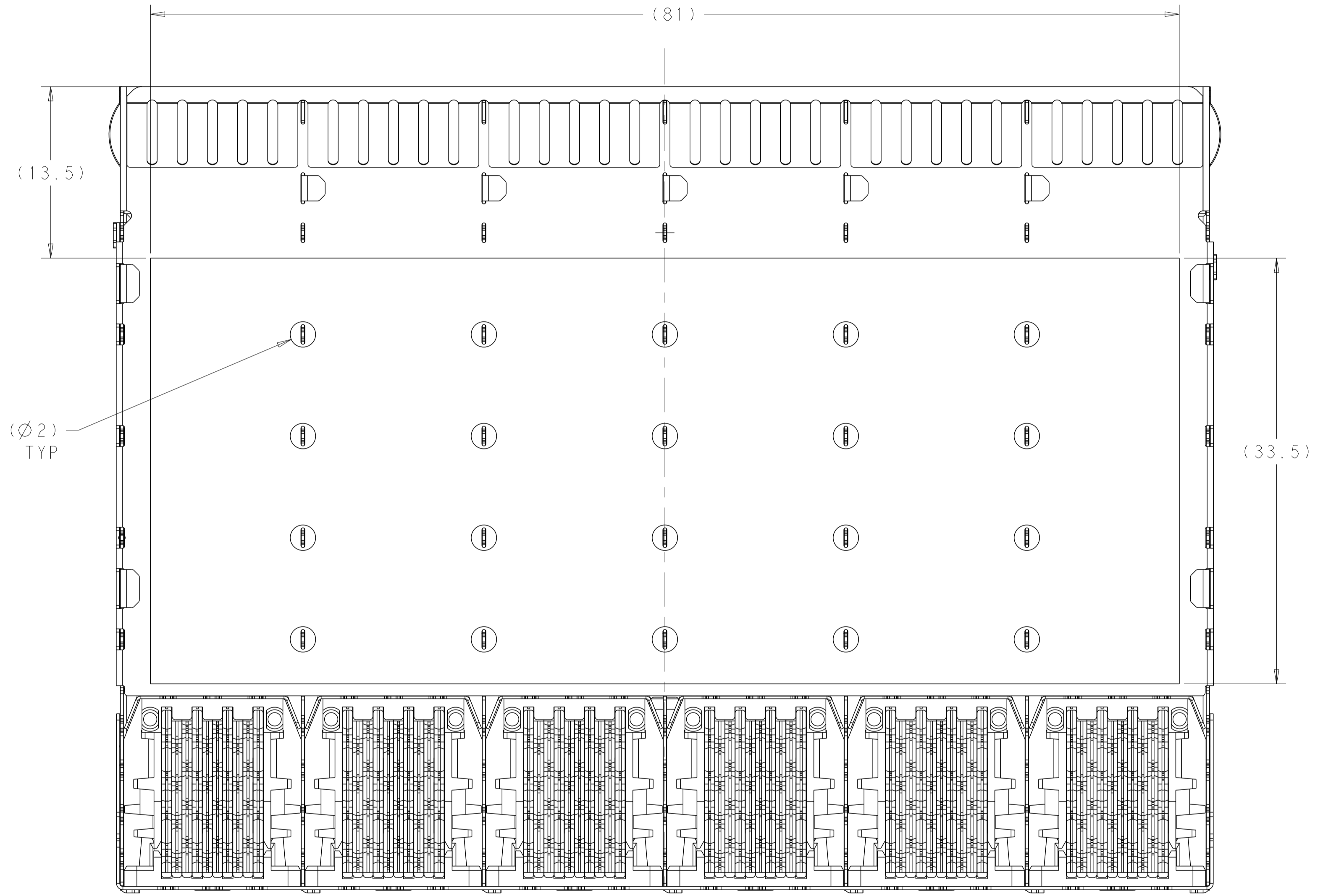
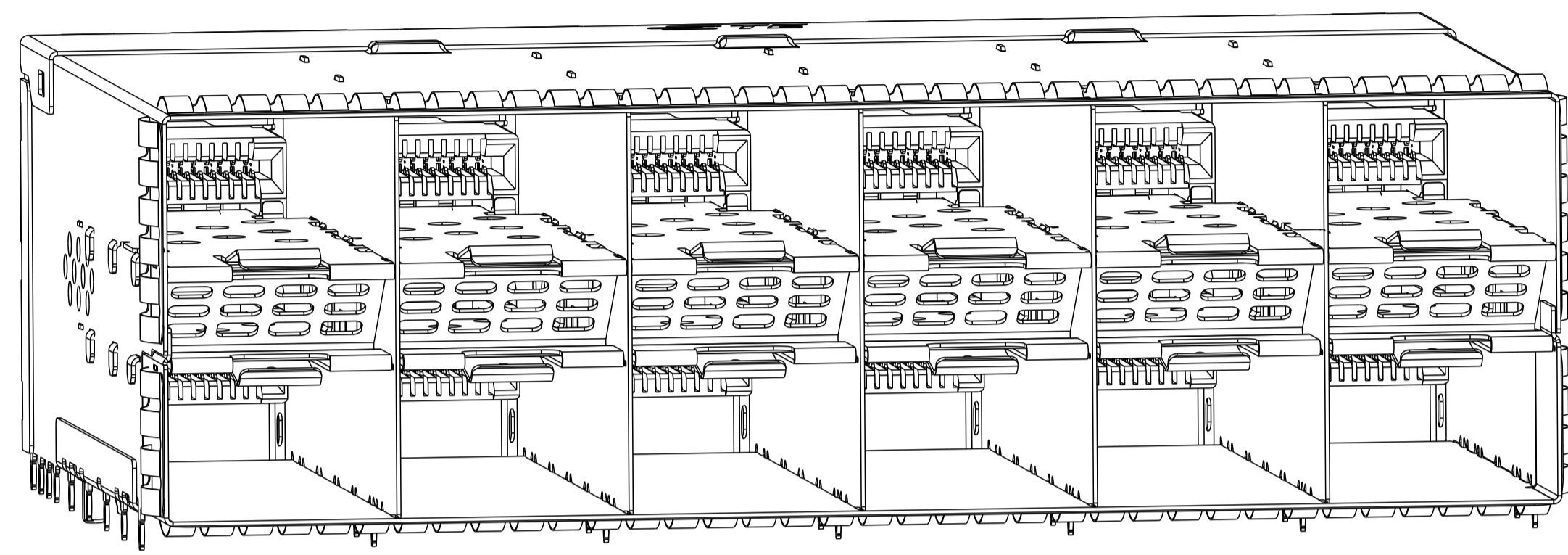
AIR VENTS

3-2198339-1
EMI SPRING TYPE

THIS DRAWING IS A CONTROLLED DOCUMENT.		OWN: M.E. CONNER 07DEC2011	
DIMENSIONS:		CHK: M.D. MORRISON 13DEC2011	
TOLERANCES UNLESS OTHERWISE SPECIFIED:		APVD: M.D. MORRISON 13DEC2011	
mm		PRODUCT SPEC	
0 PLC	±	108-2481	RECEPTACLE ASSEMBLY ,2X6 STACKED ,zSFP+
1 PLC	±0.20	APPLICATION SPEC	
2 PLC	±0.15	114-13319	SIZE: A1
3 PLC	±0.10	WEIGHT	CAGE CODE: 00779
4 PLC	±	FINISH	DRAWING NO: C=2198339
ANGLES	±°	MATERIAL: SEE NOTES	SCALE: 1:1
			SHEET 2 OF 7
			REV: C1

LOC	DIST	REVISIONS			
P	LYR	DESCRIPTION	DATE	OWN	APVD
-	-	SEE SHEET 1	-	-	-

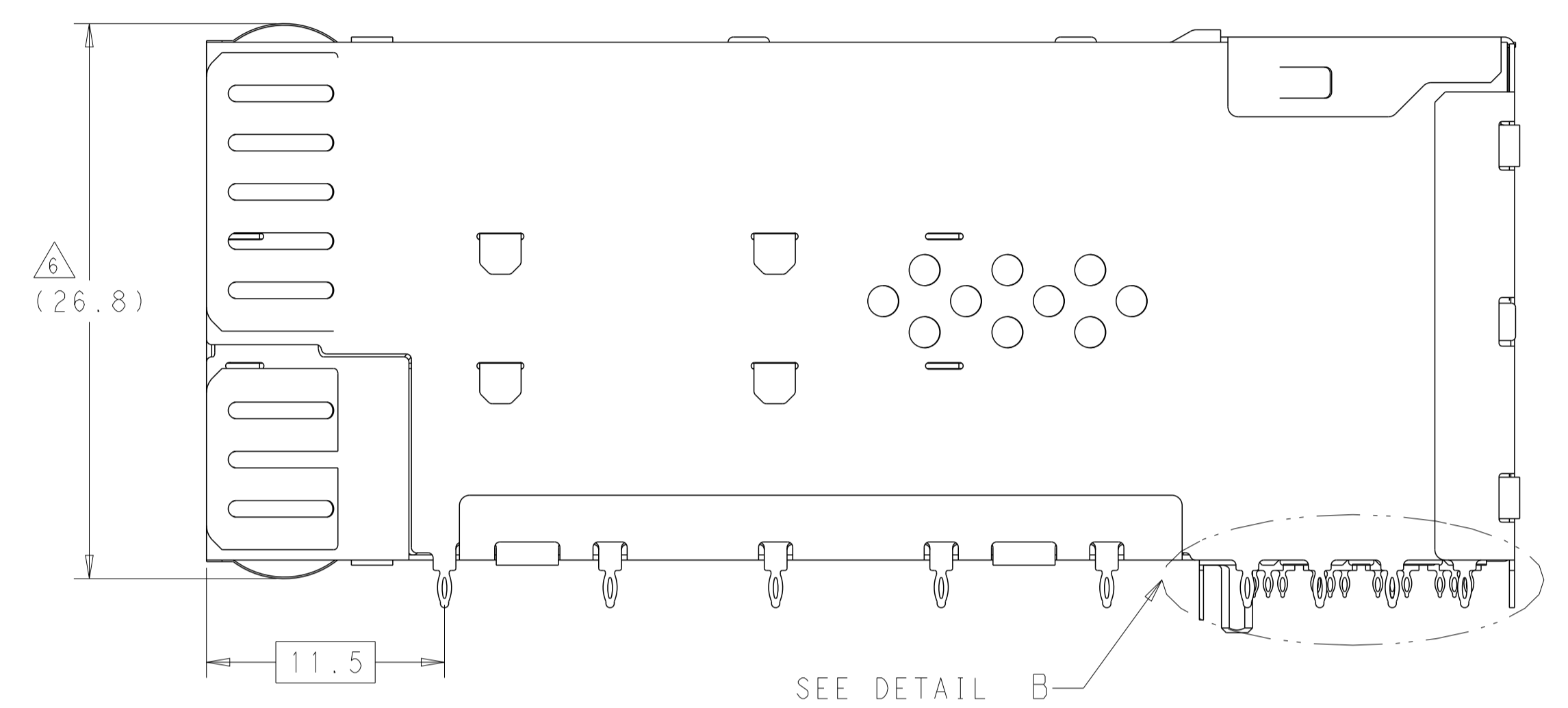
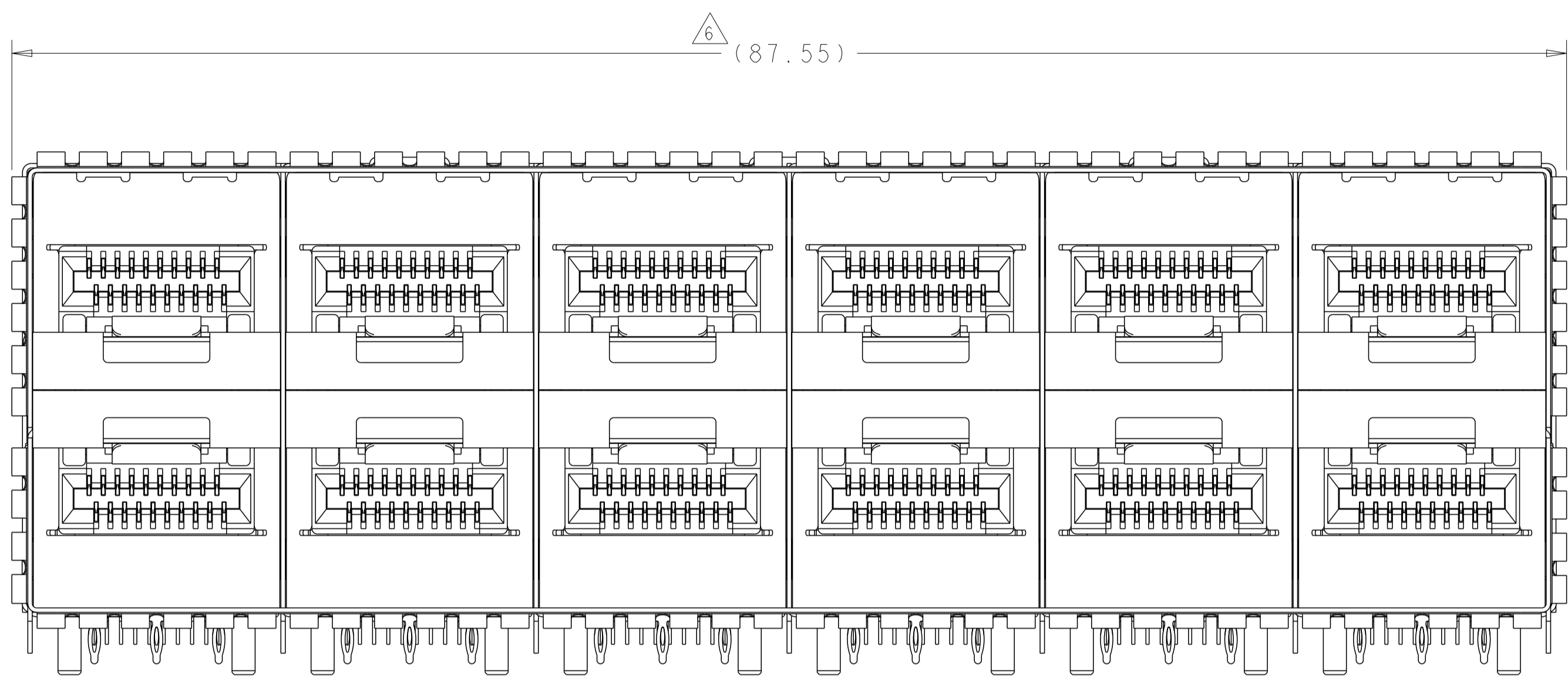
3-2198339-2 AIR FLOW ENHANCED VERSION WITH INSULATING TAPE AT BOTTOM
 UNMARKED DIMENSION SAME AS 3-2198339-1



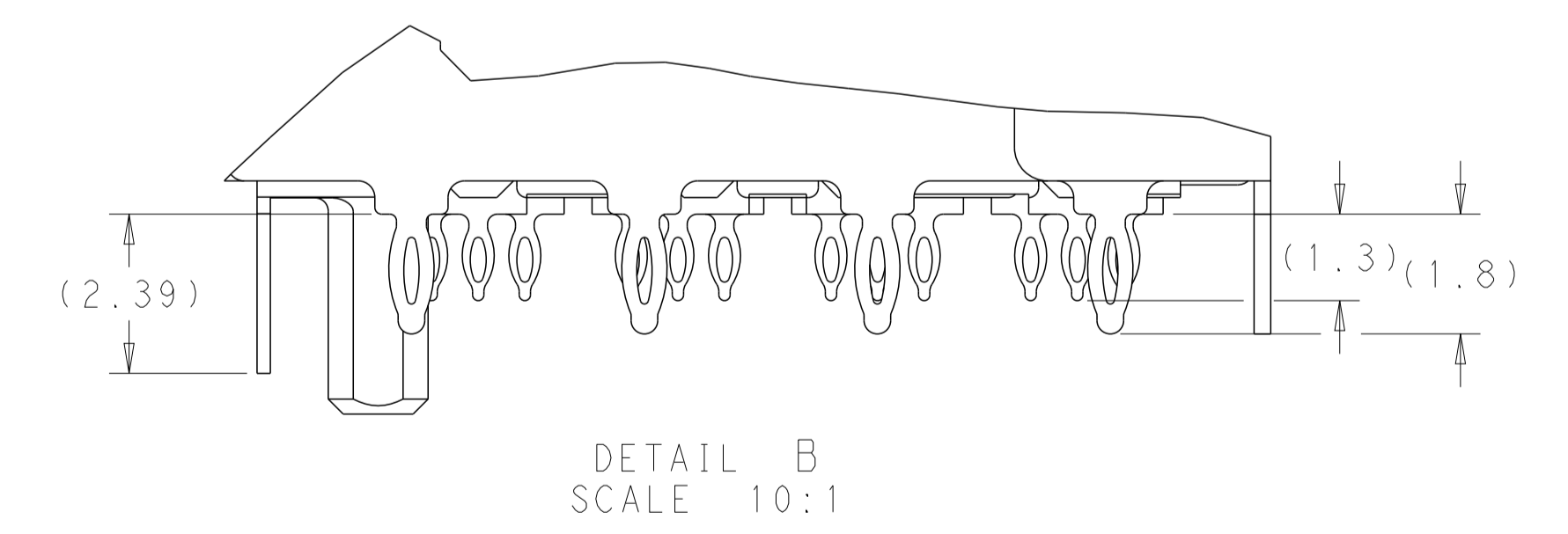
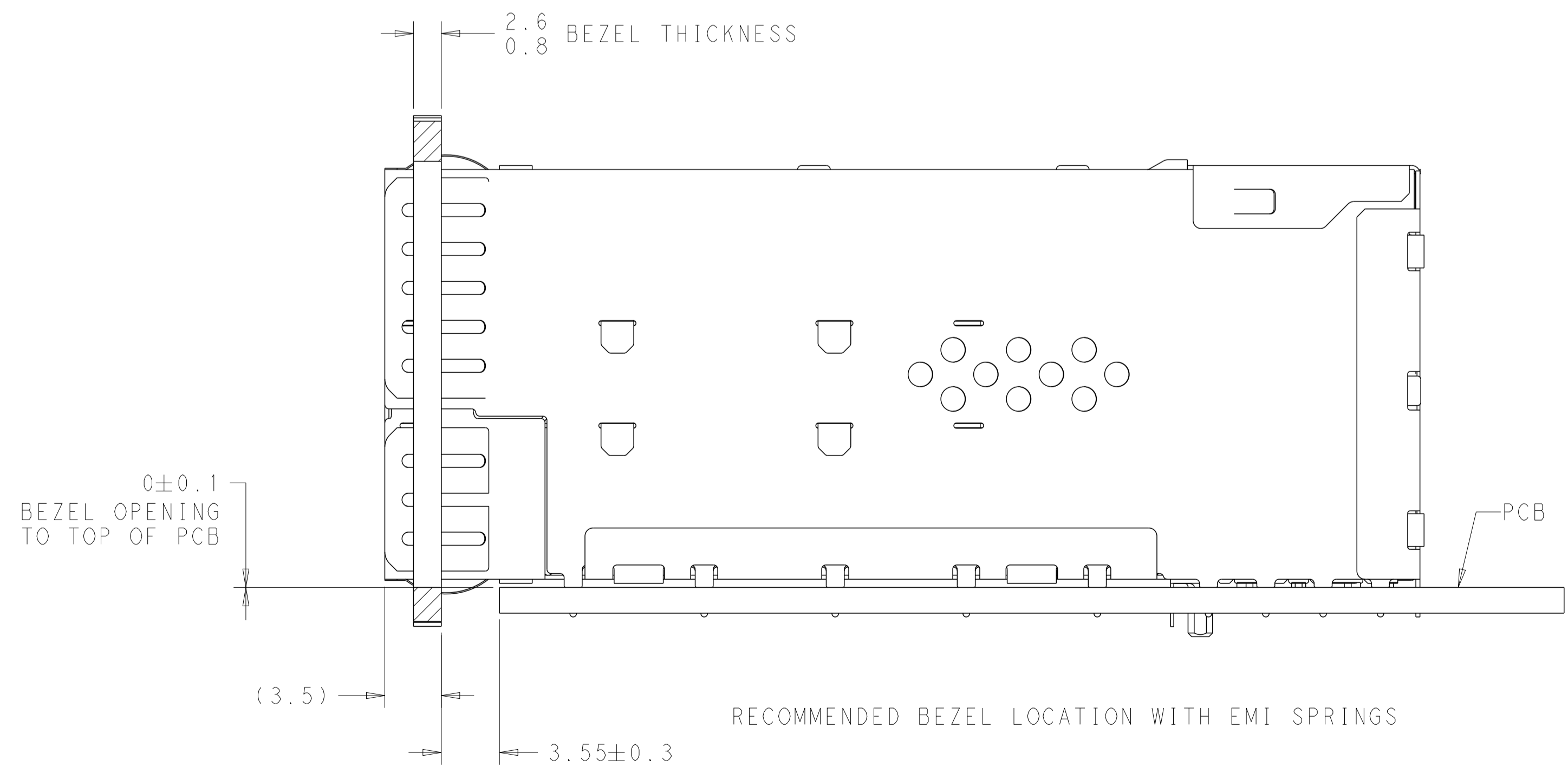
SCALE 4:1

THIS DRAWING IS A CONTROLLED DOCUMENT.		OWN: M. E. CONNER 07DEC2011	TE Connectivity
DIMENSIONS: mm		CHK: M. D. MORRISON 13DEC2011	
TOLERANCES UNLESS OTHERWISE SPECIFIED: 0 PLC ±.20 1 PLC ±.15 2 PLC ±.10 3 PLC ±.08 4 PLC ±.05 ANGLES ±.5°		APVD: M. D. MORRISON 13DEC2011	NAME: RECEPTACLE ASSEMBLY .2X6 STACKED, zSFP+
MATERIAL: SEE NOTES		PRODUCT SPEC: 108-2481	SIZE: A100779
FINISH: SEE NOTES		APPLICATION SPEC: 114-13319	CAGE CODE: C=2198339
CUSTOMER DRAWING		WEIGHT: -	SCALE: 4:1 SHEET 3 OF 7 REV: C1

LOC	DIST	REVISIONS			
P	LTN	DESCRIPTION	DATE	DMN	APVD
GP	00	SEE SHEET 1	-	-	-

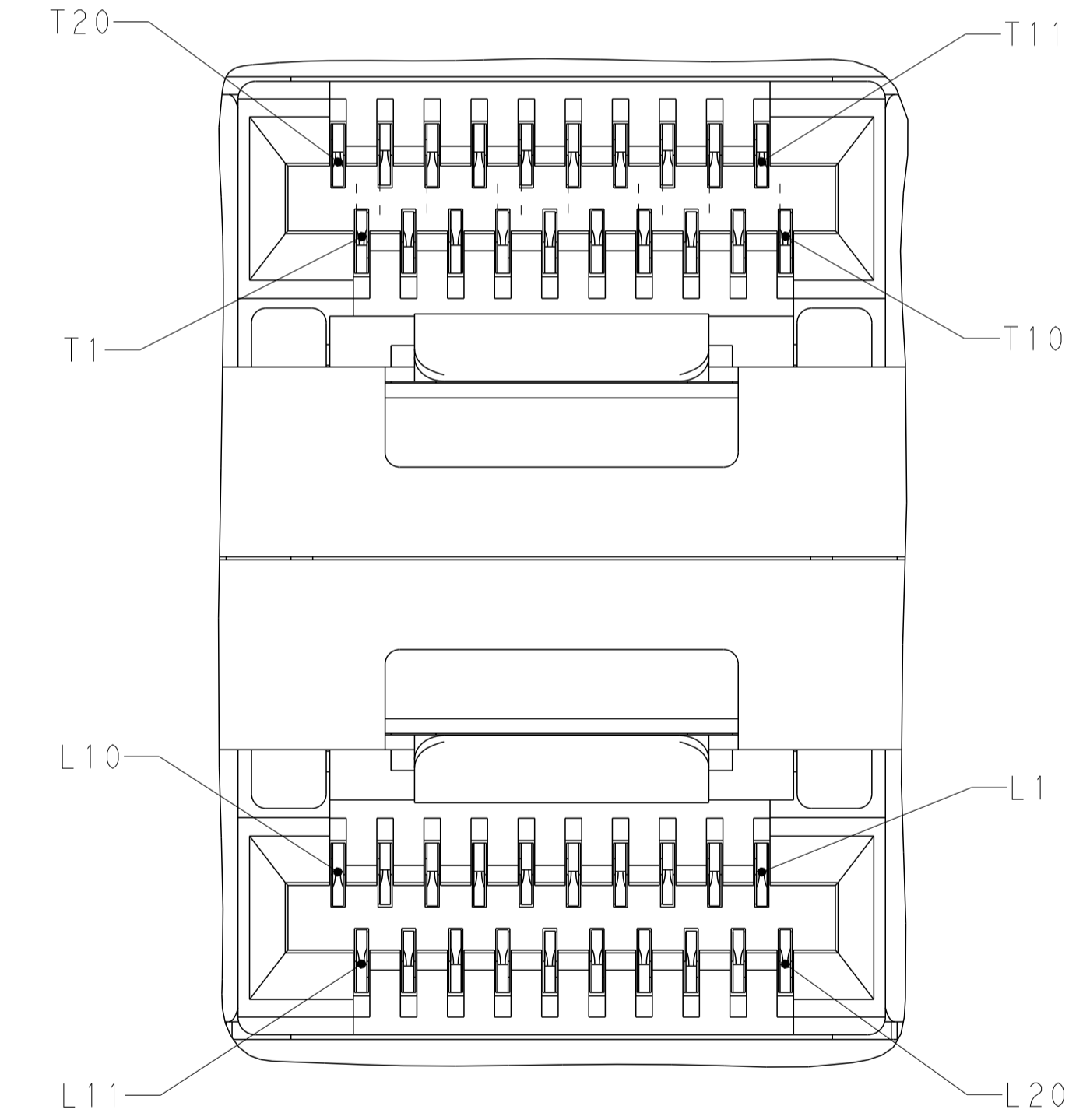
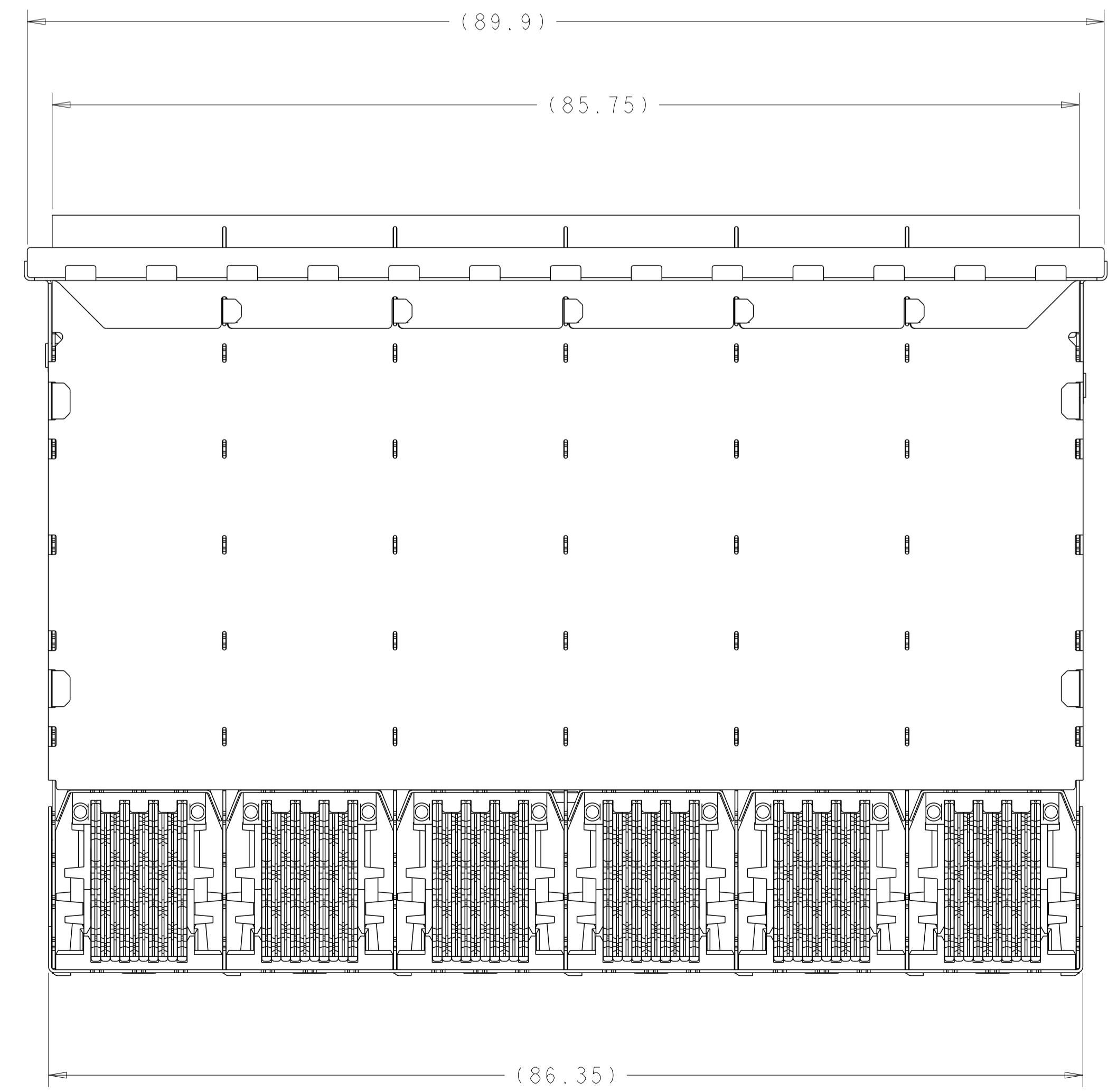
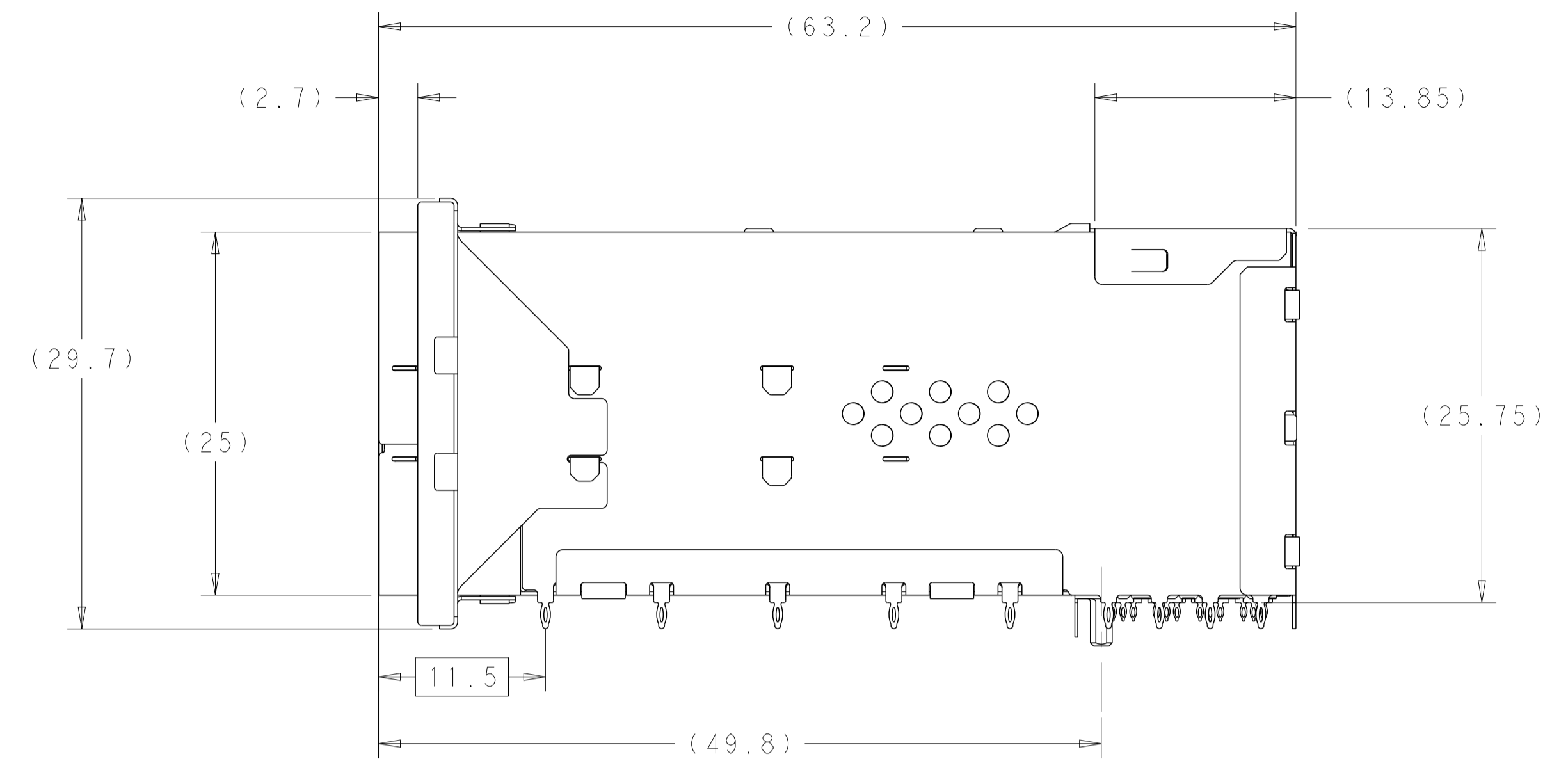
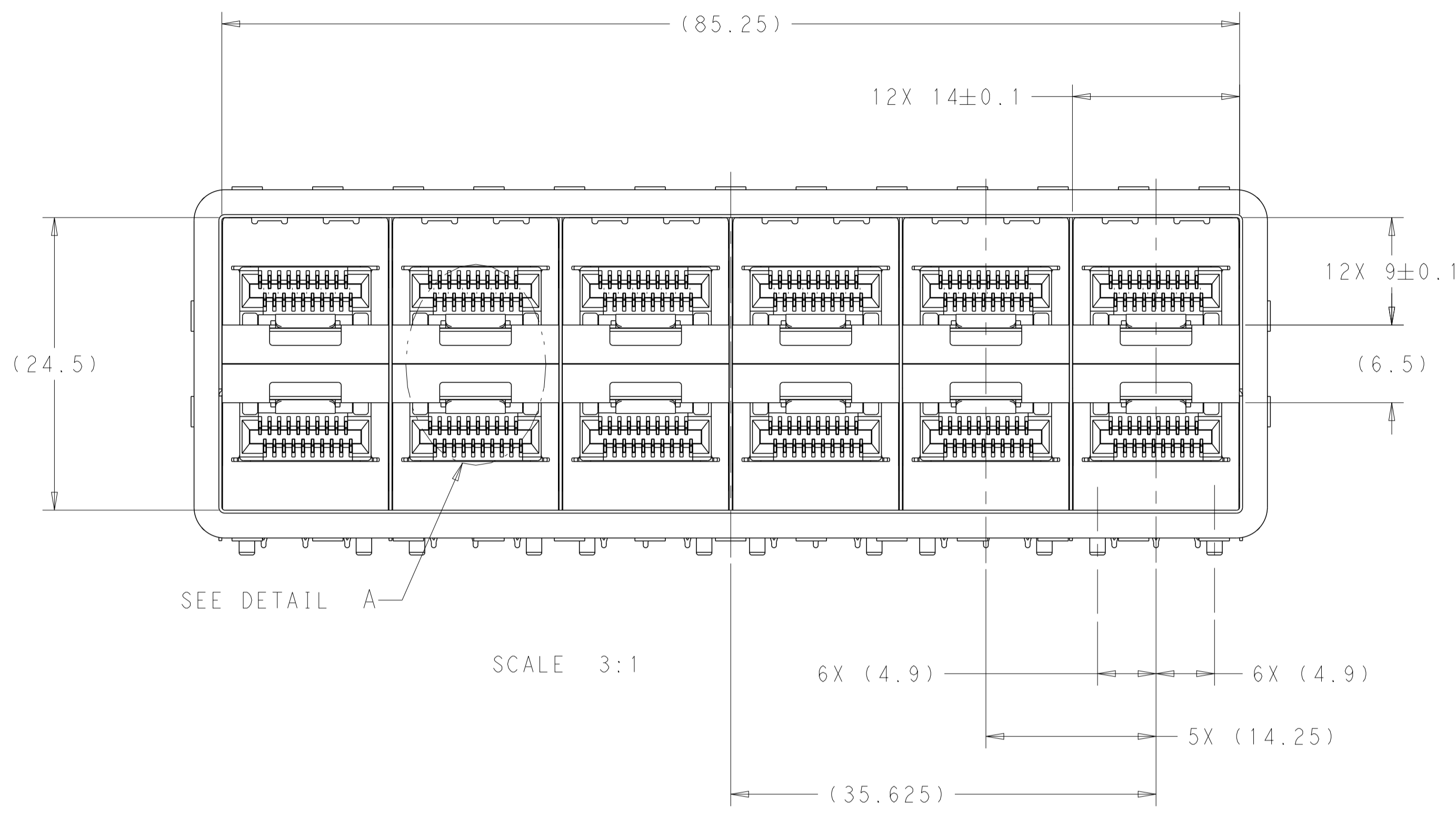


2198339-5 THRU 2198339-8, 1-2198339-9, 2-2198339-0, 2-2198339-1
 EMI SPRINGS ONLY
 SCALE 4:1



THIS DRAWING IS A CONTROLLED DOCUMENT.		DMN M. E. CONNER 07DEC2011	TE Connectivity
DIMENSIONS: mm		CHK M. D. MORRISON 13DEC2011	
TOLERANCES UNLESS OTHERWISE SPECIFIED:		APVD M. D. MORRISON 13DEC2011	NAME RECEPTACLE ASSEMBLY ,2X6 STACKED, zSFP+
0 PLC ±	1 PLC ±0.20	PRODUCT SPEC	SIZE 108-2481
2 PLC ±0.15	3 PLC ±0.10	APPLICATION SPEC	CAGE CODE 114-13319
4 PLC ±	ANGLES ±°	FINISH	WEIGHT
MATERIAL SEE NOTES	FINISH SEE NOTES	CUSTOMER DRAWING	RESTRICTED TO A100779C=2198339
SCALE 1:1		SHEET 4 OF 7	REV C1

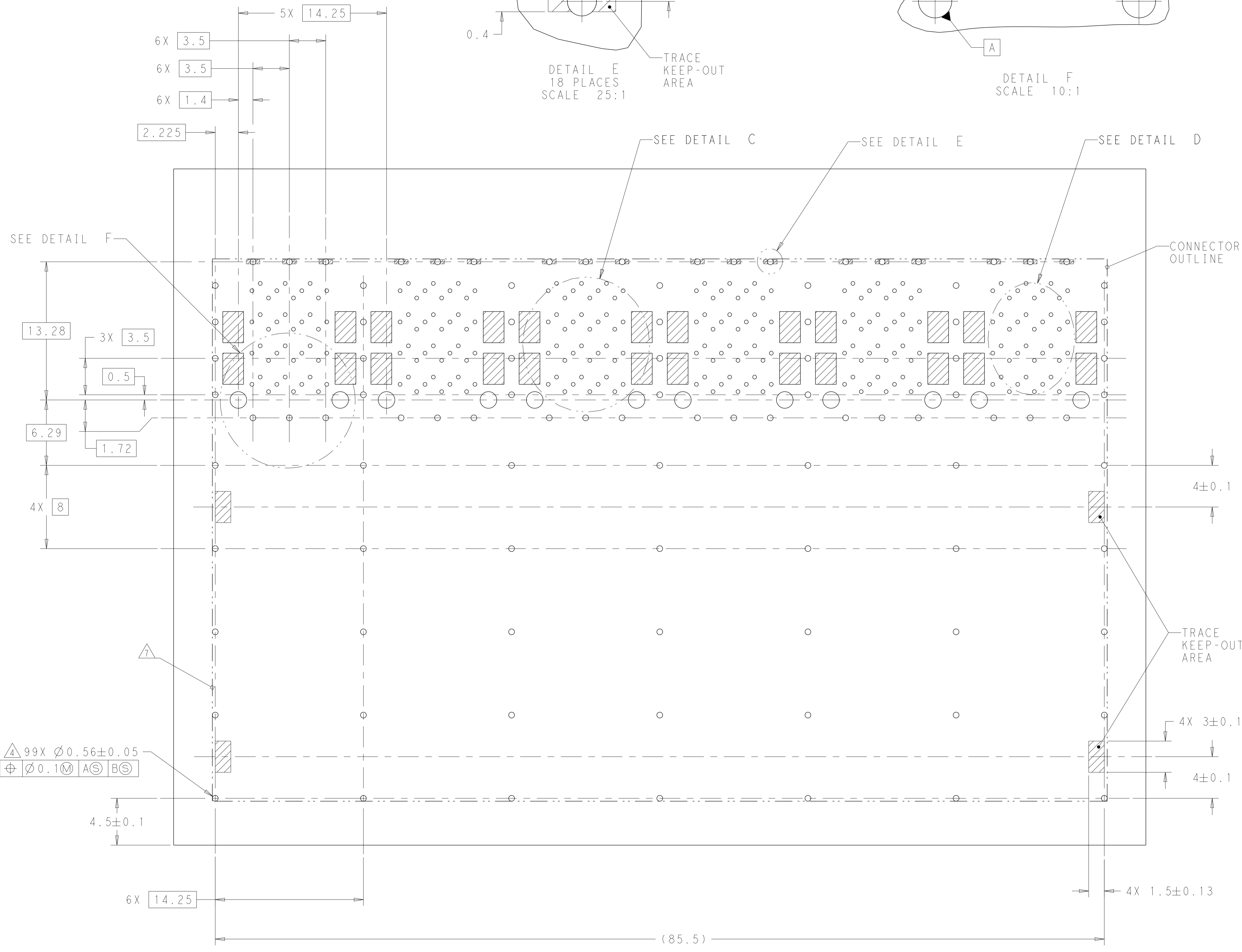
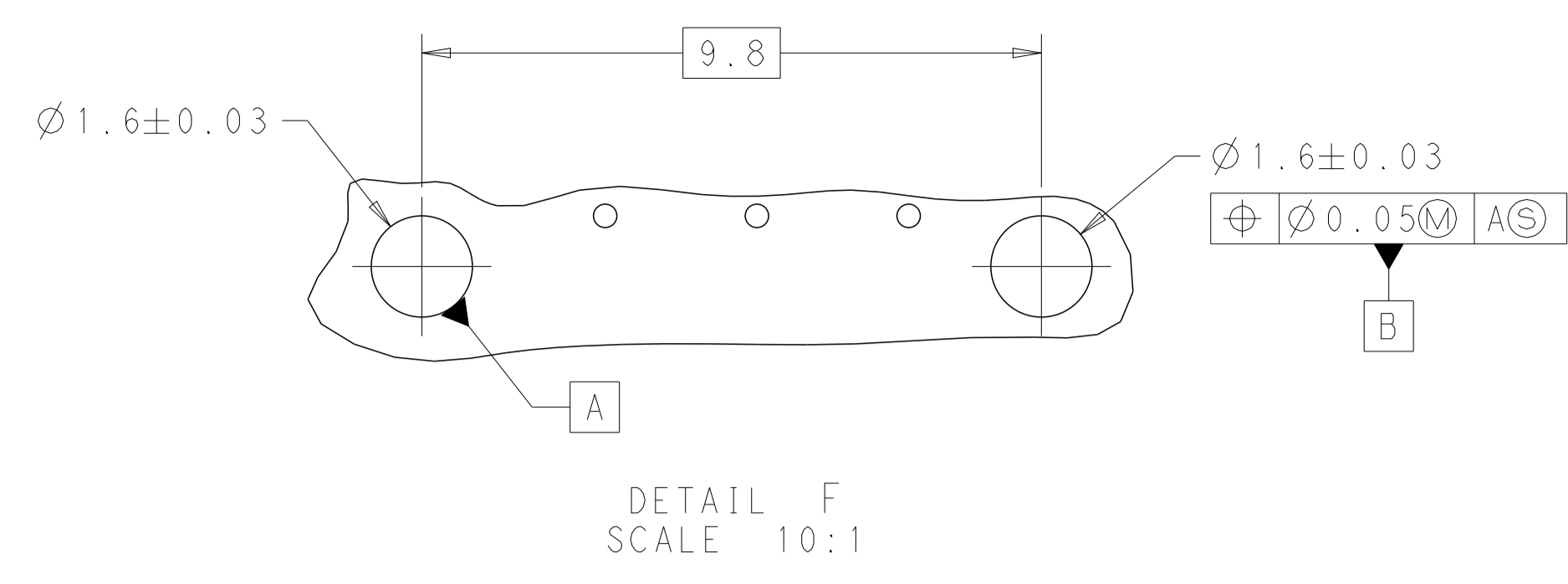
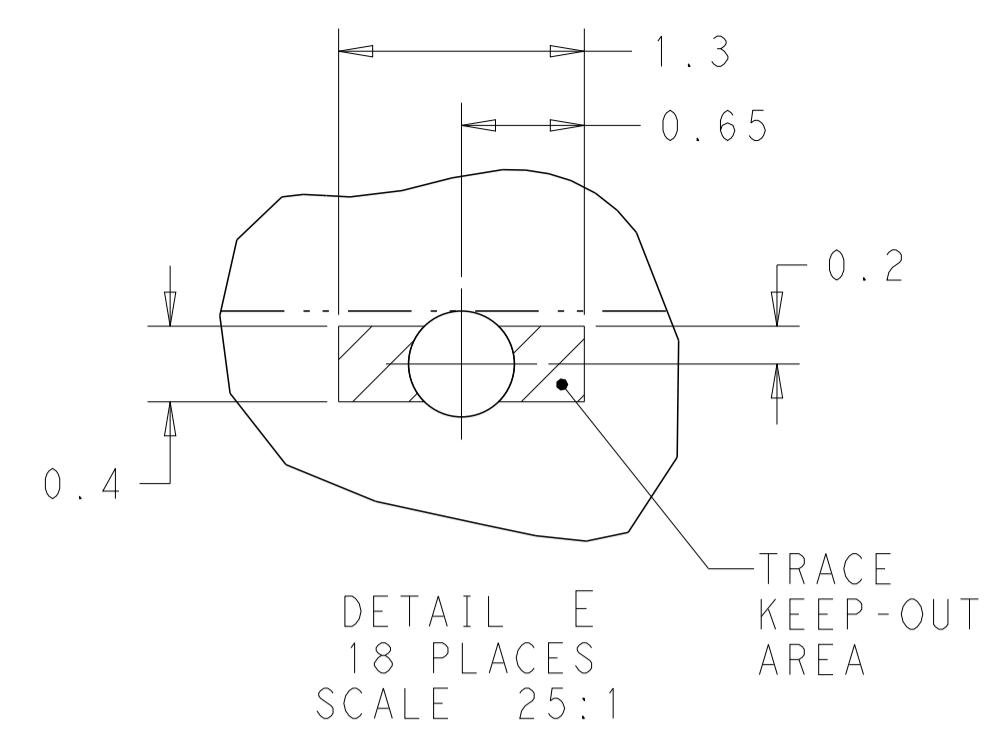
LOC	DIST	REVISIONS					
GP	00	P	LYR	DESCRIPTION	DATE	DWN	APVD
		-		SEE SHEET 1	-	-	-



DETAIL A
 6X INDIVIDUALLY
 SCALE 10:1

THIS DRAWING IS A CONTROLLED DOCUMENT.		DWN: M.E. CONNER 07DEC2011	TE Connectivity
DIMENSIONS: mm		CHK: M.D. MORRISON 13DEC2011	
TOLERANCES UNLESS OTHERWISE SPECIFIED:		APVD: M.D. MORRISON 13DEC2011	NAME: RECEPTACLE ASSEMBLY .2X6 STACKED, zSFP+
0 PLC ± 1 PLC ±0.20 2 PLC ±0.15 3 PLC ±0.10 4 PLC ± ANGLES ±°		PRODUCT SPEC: 108-2481	SIZE: A1
MATERIAL: SEE NOTES		APPLICATION SPEC: 114-13319	CAGE CODE: C=2198339
FINISH: SEE NOTES		WEIGHT: -	RESTRICTED TO: -
		CUSTOMER DRAWING	SCALE: 4:1 SHEET 5 OF 7 REV: C1

LOC	DIST	REVISIONS			
P	LYR	DESCRIPTION	DATE	DMN	APVD
-	-	SEE SHEET 1	-	-	-

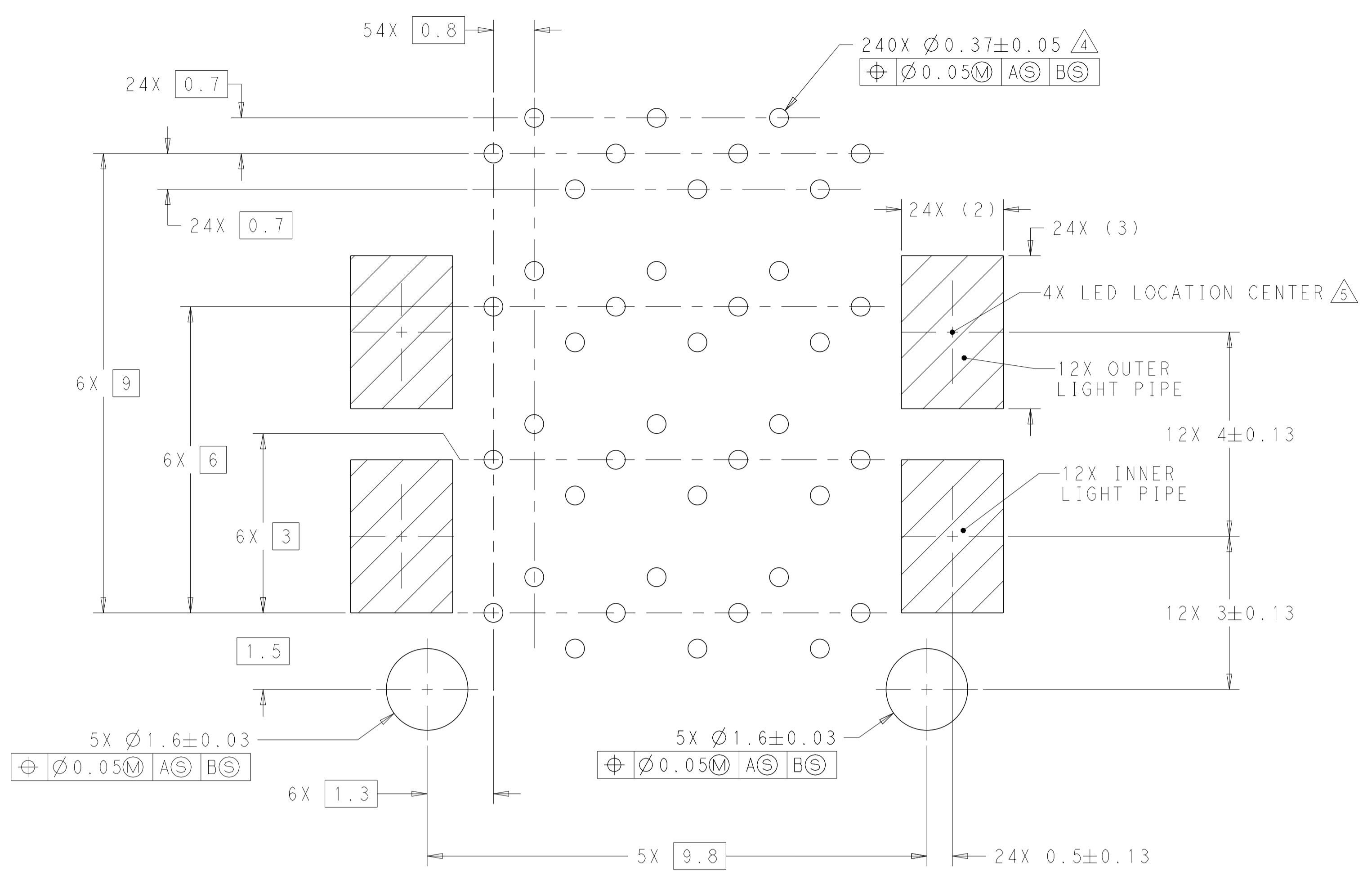


4 99X Ø0.56 ± 0.05
 ⊕ Ø0.1 (M) A(S) B(S)

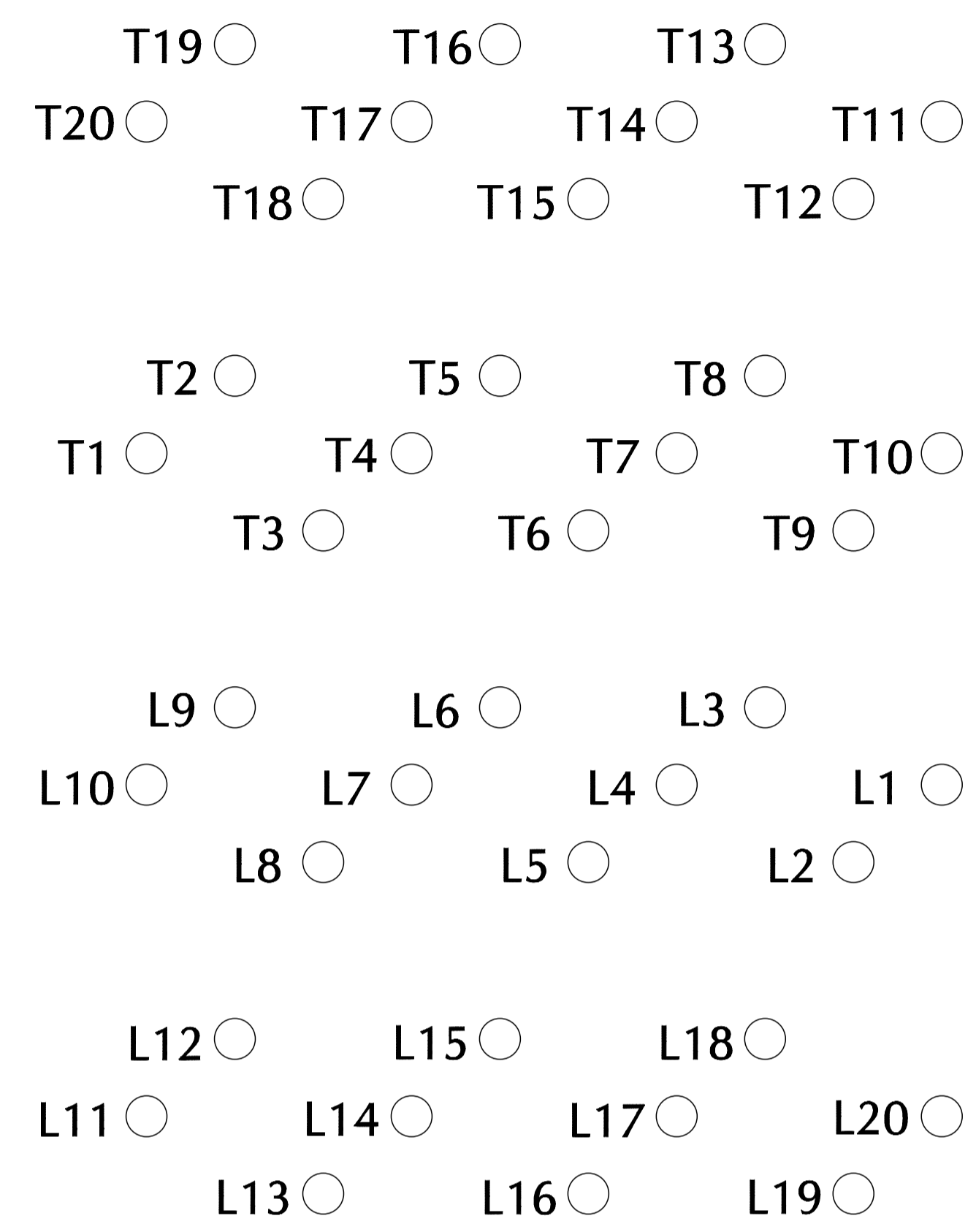
RECOMMENDED PCB LAYOUT
SCALE 5:1

THIS DRAWING IS A CONTROLLED DOCUMENT.		DMN: M.E. CONNER 07DEC2011	TE Connectivity
DIMENSIONS: mm		CHK: M.D. MORRISON 13DEC2011	
TOLERANCES UNLESS OTHERWISE SPECIFIED:		APVD: M.D. MORRISON 13DEC2011	NAME: RECEPTACLE ASSEMBLY .2X6 STACKED, zSFP+
0 PLC ±.20	1 PLC ±0.20	PRODUCT SPEC: 108-2481	SIZE: A1
2 PLC ±0.15	3 PLC ±0.10	APPLICATION SPEC: 114-13319	CAGE CODE: 2198339
4 PLC ±.10	ANGLES ±5°	WEIGHT: -	RESTRICTED TO: -
MATERIAL: SEE NOTES	FINISH: SEE NOTES	CUSTOMER DRAWING	SCALE: 4:1 SHEET 6 OF 7 REV: C1

LOC		DIST		REVISIONS			
GP	00	P	LTN	DESCRIPTION	DATE	DMN	APVD
-	-	-	-	SEE SHEET 1	-	-	-

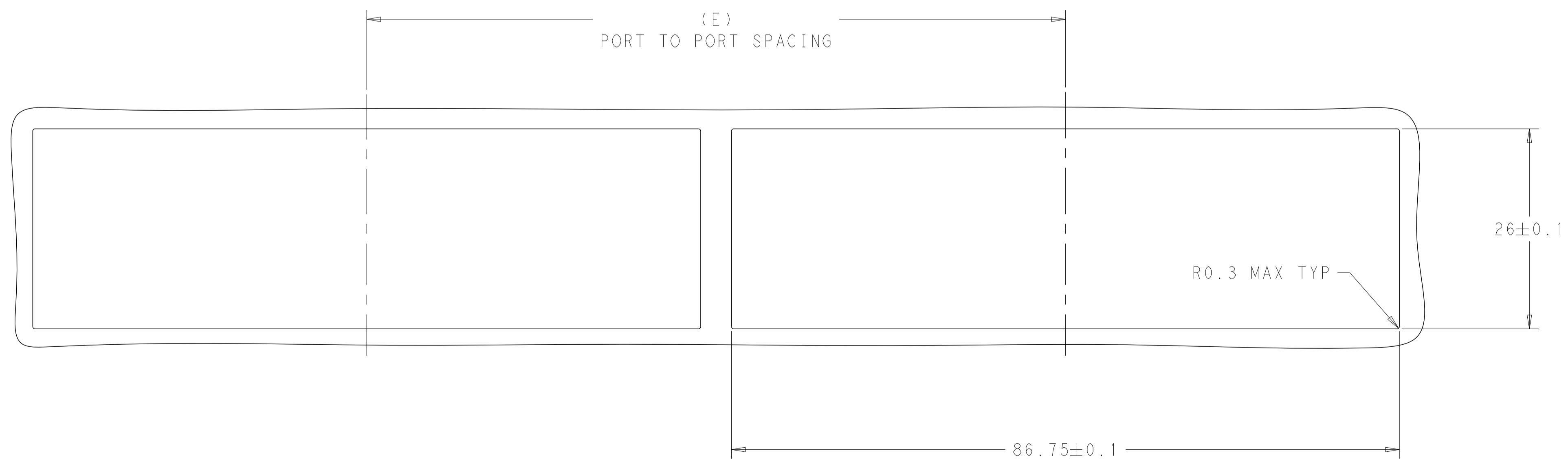


DETAIL C
 RECOMMENDED PIN AND LIGHT PIPE LAYOUT
 SCALE 15:1

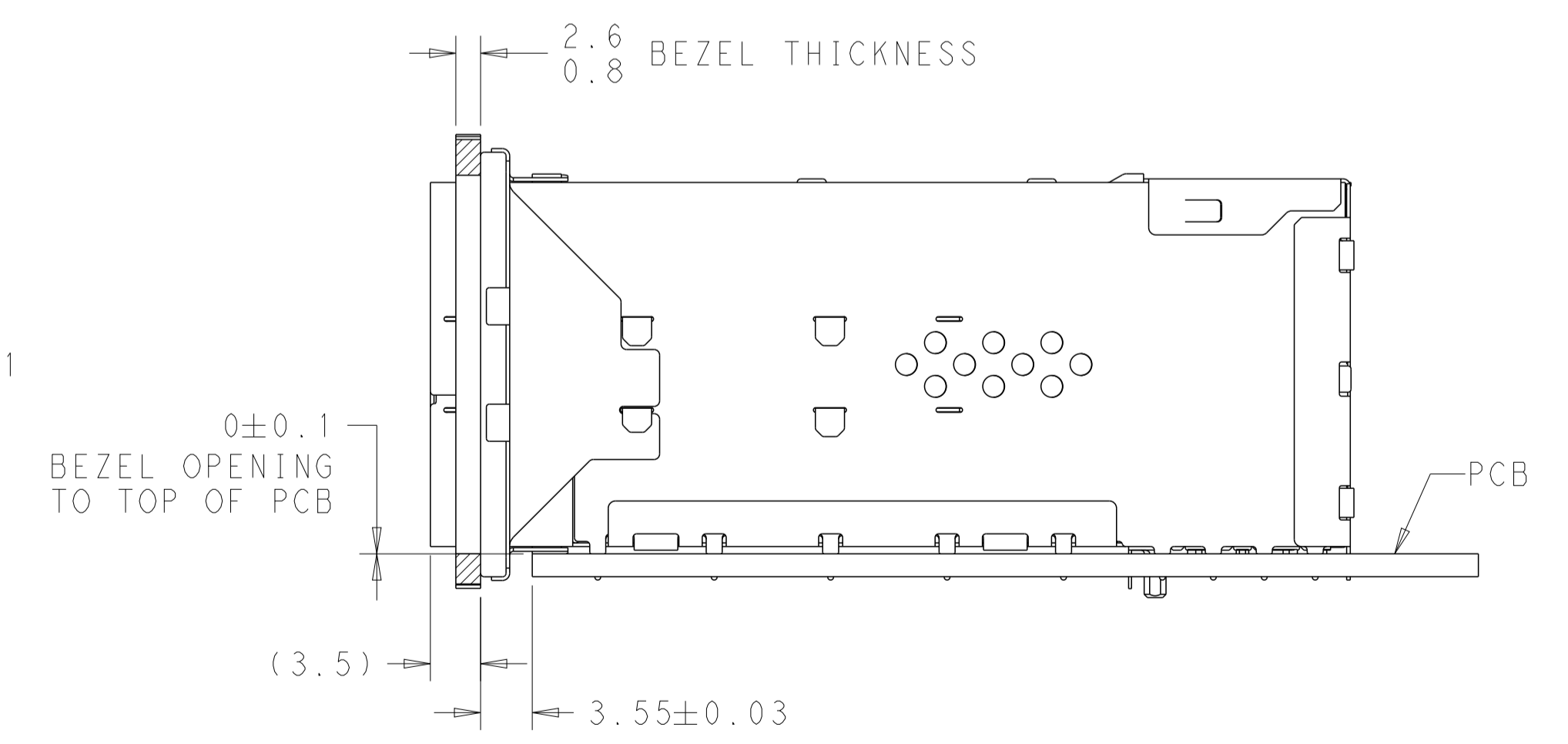


PIN MAP LEGEND	
PIN NUMBER	FUNCTION
L1/T1	VEET
L2/T2	TX-FAULT
L3/T3	TX-DISABLE
L4/T4	SDA
L5/T5	SCL
L6/T6	MOD_ABS
L7/T7	RSO
L8/T8	RX_LOS
L9/T9	RS1
L10/T10	VEER
L11/T11	VEER
L12/T12	RD-
L13/T13	RD+
L14/T14	VEER
L15/T15	VCCR
L16/T16	VCCT
L17/T17	VEET
L18/T18	TD+
L19/T19	TD-
L20/T20	VEET

DETAIL D
 PIN MAP
 6 PLACES
 SCALE 20:1



RECOMMENDED BEZEL CUT-OUT DETAIL
 SCALE 5:2



RECOMMENDED BEZEL LOCATION WITH EMI GASKET
 SCALE 5:2

THIS DRAWING IS A CONTROLLED DOCUMENT.		DMN: M.E. CONNER 07DEC2011	TE Connectivity
DIMENSIONS: mm		CHK: M.D. MORRISON 13DEC2011	
TOLERANCES UNLESS OTHERWISE SPECIFIED:		APVD: M.D. MORRISON 13DEC2011	NAME: RECEPTACLE ASSEMBLY .2X6 STACKED, zSFP+
0 PLC ±.1		PRODUCT SPEC: 108-2481	
1 PLC ±0.20		APPLICATION SPEC: 114-13319	SIZE: A1 00779 ©=2198339 SCALE: 4:1 SHEET 7 OF 7 REV C1
2 PLC ±0.15		WEIGHT: -	
3 PLC ±0.10		FINISH: SEE NOTES	
4 PLC ±.05		CUSTOMER DRAWING	
ANGLES ±°			