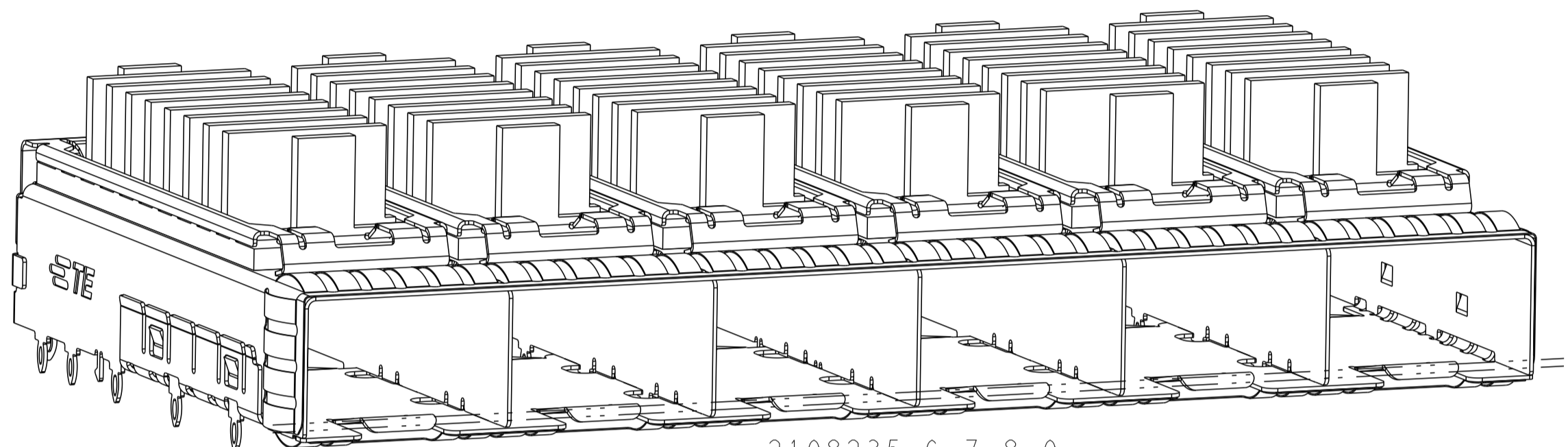
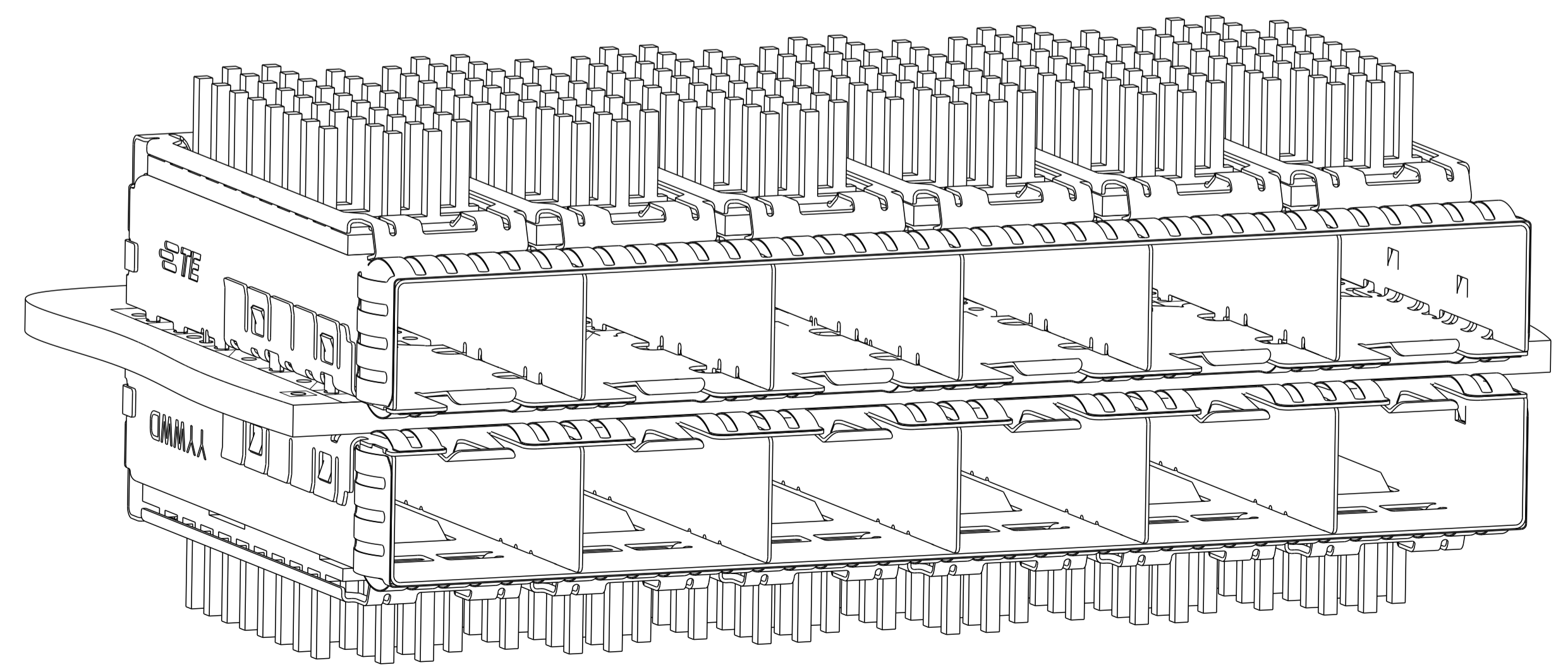
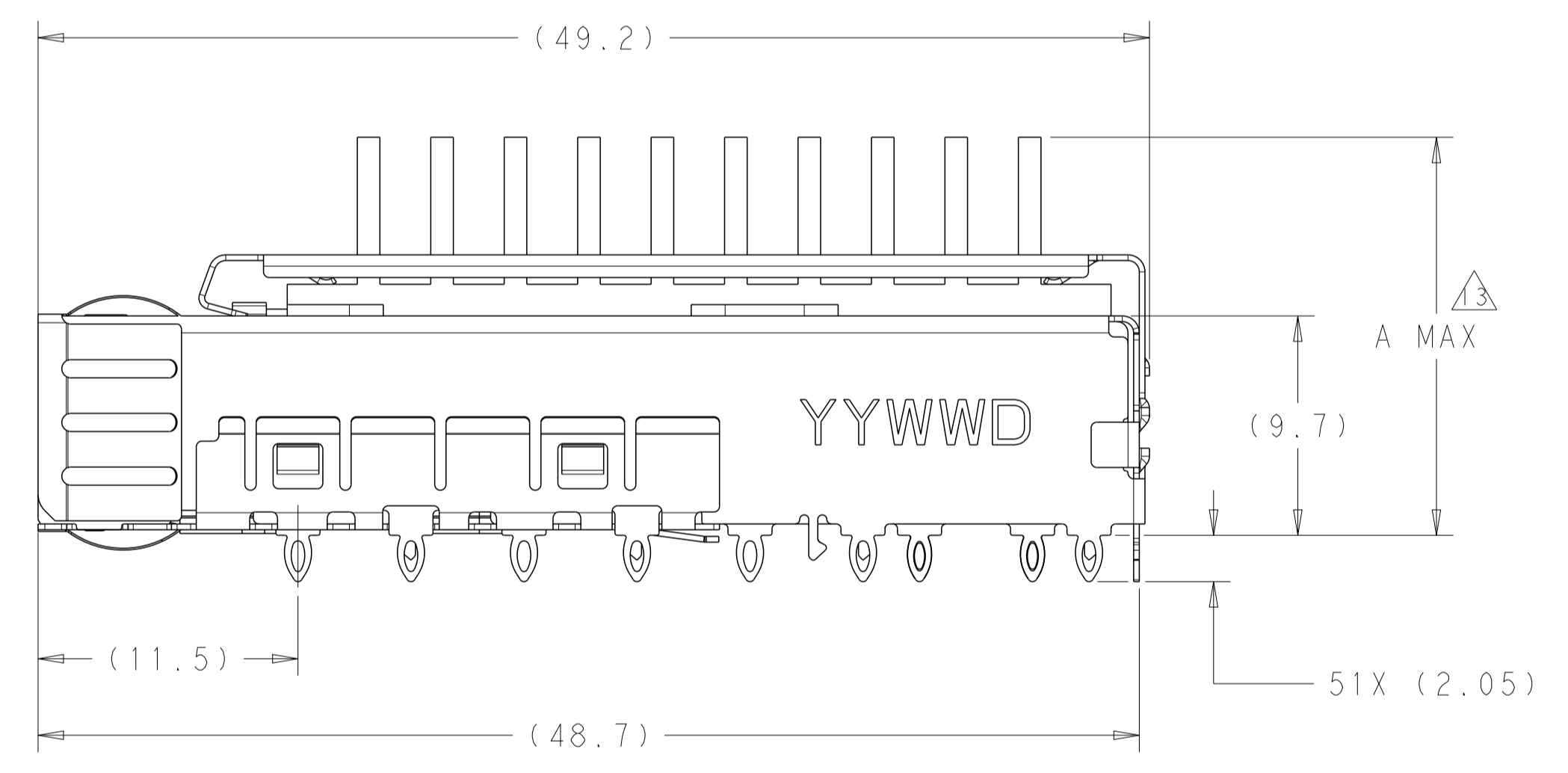
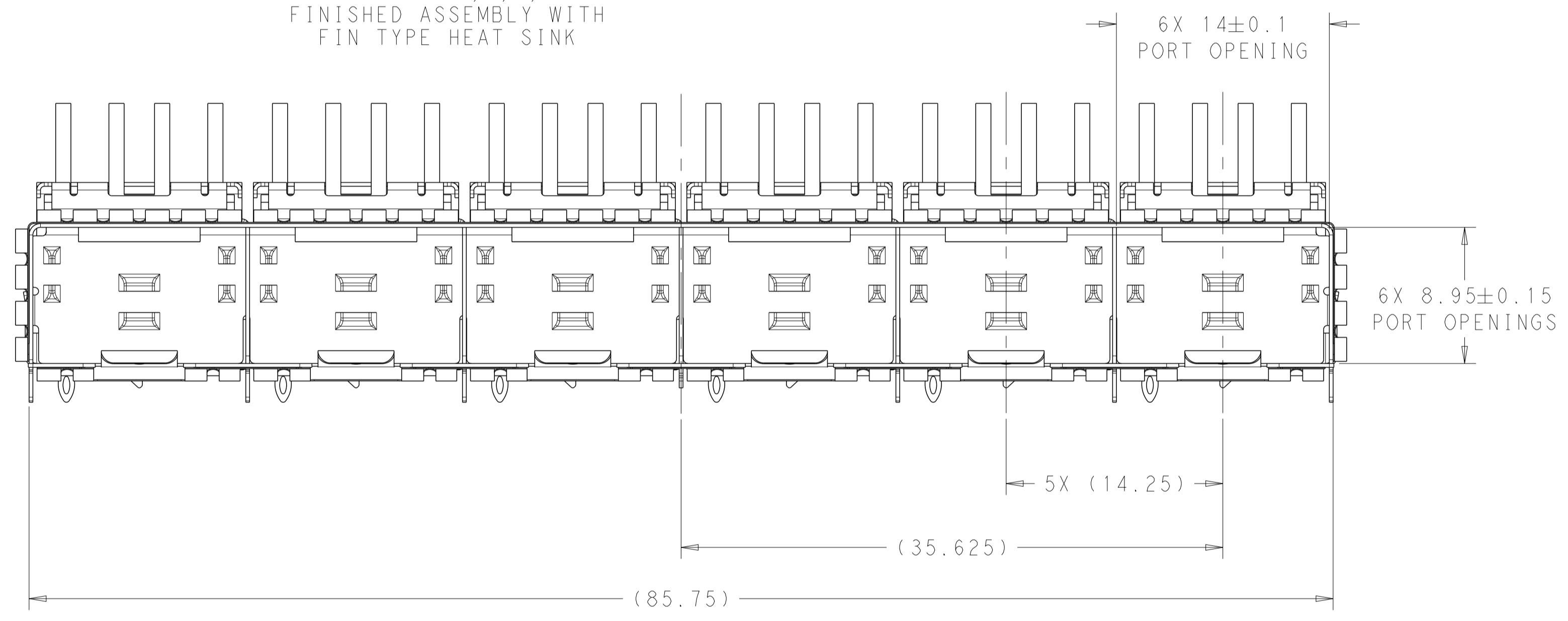


2198235-1,2,3,4,5
 FINISHED ASSEMBLY WITH
 PIN TYPE HEAT SINK



2198235-6,7,8,9
 FINISHED ASSEMBLY WITH
 FIN TYPE HEAT SINK



2198235
 MOUNTED BELLY TO BELLY ON PCB
 SCALE 3:1

- △ MATERIAL:
 CAGE ASSEMBLY: 0.25mm THICK NICKEL SILVER ALLOY.
 HEATSINK CLIP: STAINLESS STEEL
 HEATSINK: ALUMINUM
- △ FINISH:
 EMI SPRINGS: MINIMUM OF 0.8um TIN PLATE OVER A MINIMUM OF 0.8um NICKEL UNDERPLATE.
 NON-PLATED EDGES PERMISSIBLE.
 HEATSINK CLIP: PASSIVATE
 HEATSINK: ELECTROLESS NICKEL
- 3. MATES WITH SFP MSA COMPLIANT TRANSCEIVERS.
- △ PADS AND VIAS CHASSIS GROUND.
- 5. INTERPRETATION OF DATUM REFERENCE FRAME IN ACCORDANCE WITH SECT 4.4.1.1 OF ASME Y14.5M-1994.
- △ MINIMUM PC BOARD THICKNESS:
 SINGLE SIDED = 1.50mm
 DOUBLE SIDED = 2.25mm
- △ HOLE PATTERN REPEATS FOR EACH PORT. SPACING BETWEEN PORTS IS 14.25mm.
- △ DATUM AND BASIC DIMENSION ESTABLISHED BY CUSTOMER.
- △ REFERENCE APPLICATION SPEC. 114-13120, HOLE A, FOR RECOMMENDED DRILL HOLE DIAMETER AND PLATING THICKNESS.
- △ REFERENCE APPLICATION SPEC. 114-13120, HOLE B, FOR RECOMMENDED DRILL HOLE DIAMETER AND PLATING THICKNESS.
- 11. CERTAIN MATING TRANCEIVERS MAY REQUIRE ADDITIONAL PCB THICKNESS THAT WOULD BE DETERMINED BY THE CUSTOMER.
- 12. PRODUCT COMPLIES WITH SPECIFICATION SFF-8433 IMPROVED PLUGGABLE FORM FACTOR FOR SFP+ GANGED CAGES.
- △ DIMENSION APPLIES PRIOR TO INSERTION OF SFP MODULE

LOC		DIST		REVISIONS			
GP	00	P	LTN	DESCRIPTION	DATE	DWN	APVD
		B		RELEASED PER ECO-13-000564	30JAN2013	BMM	MRS
		B1		RELEASED PER ECO-13-014600	20SEP2013	PP	SH
		B2		RELEASED PER ECO-15-006578	20APR2015	PP	SH
		B3		REVISED PER ECN-24-254436	03MAR2024	KH	SZ

PIN TYPE	W/O INSULATING TAPE	NA	CUSTOMIZED	1-2198235-1
FIN TYPE	W/O INSULATING TAPE	22.5	NETWORKING, TALL	2198235-9
FIN TYPE	W/O INSULATING TAPE	18.1	NETWORKING, SHORT	2198235-8
FIN TYPE	W/O INSULATING TAPE	15.5	SAN	2198235-7
FIN TYPE	W/O INSULATING TAPE	13.2	PCI	2198235-6
PIN TYPE	W/ INSULATING TAPE	22.5	NETWORKING, TALL	2198235-5
PIN TYPE	W/O INSULATING TAPE	22.5	NETWORKING, TALL	2198235-4
PIN TYPE	W/O INSULATING TAPE	18.1	NETWORKING, SHORT	2198235-3
PIN TYPE	W/O INSULATING TAPE	15.5	SAN	2198235-2
PIN TYPE	W/O INSULATING TAPE	13.2	PCI	2198235-1
HEAT SINK	DESCRIPTION	A MAX	APPLICATION	PART NUMBER

THIS DRAWING IS A CONTROLLED DOCUMENT. DWN B. MATTHEWS 15NOV2011
 CHK M. SCHMITT 15NOV2011
 APVD M. SCHMITT 15NOV2011

STMicroelectronics TE Connectivity

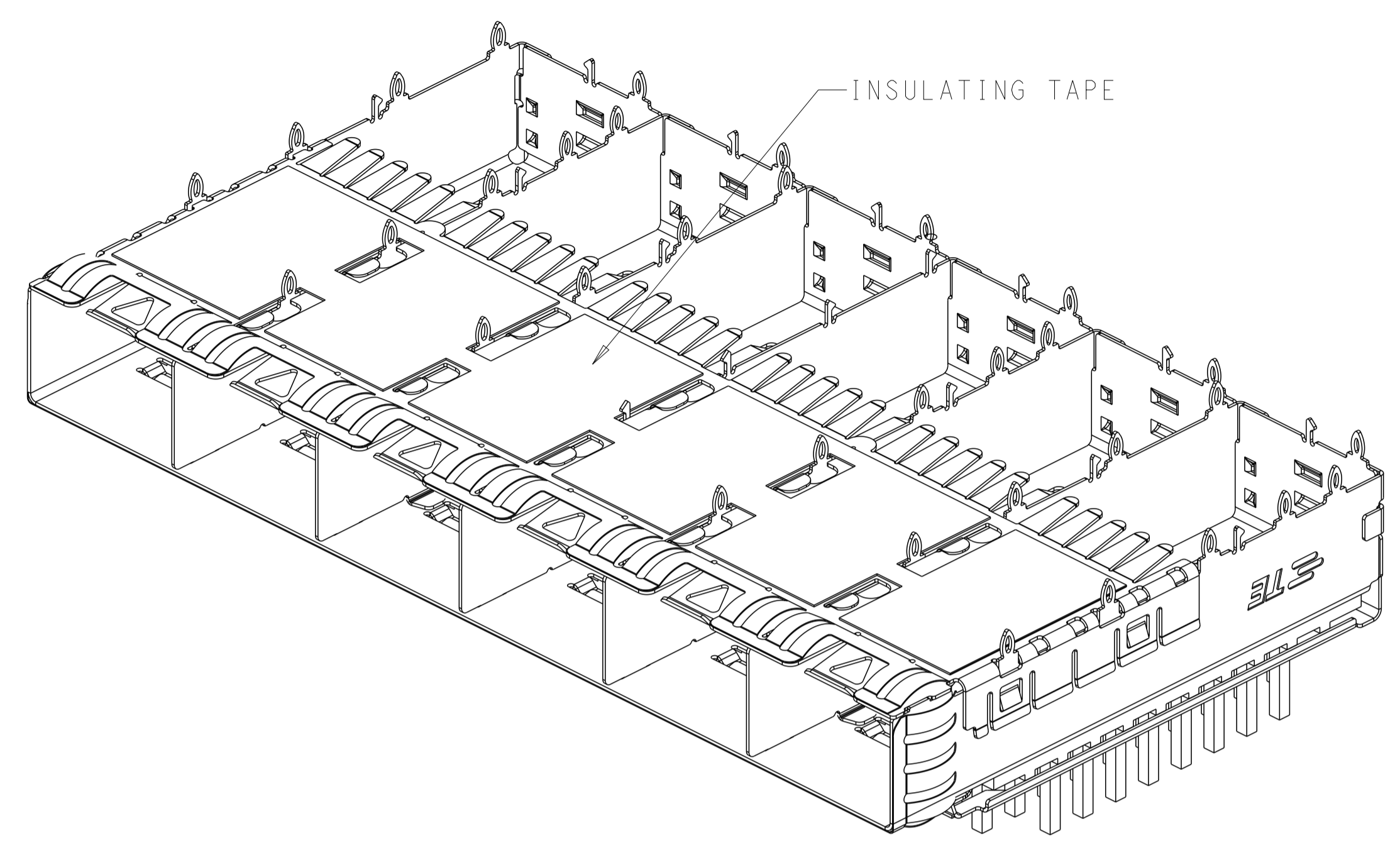
NAME: SFP+ ENHANCED 1X6 CAGE ASSEMBLY, PRESS FIT, EXTERNAL EMI SPRINGS WITH HEATSINK

PRODUCT SPEC: 108-2364
 APPLICATION SPEC: 114-13120

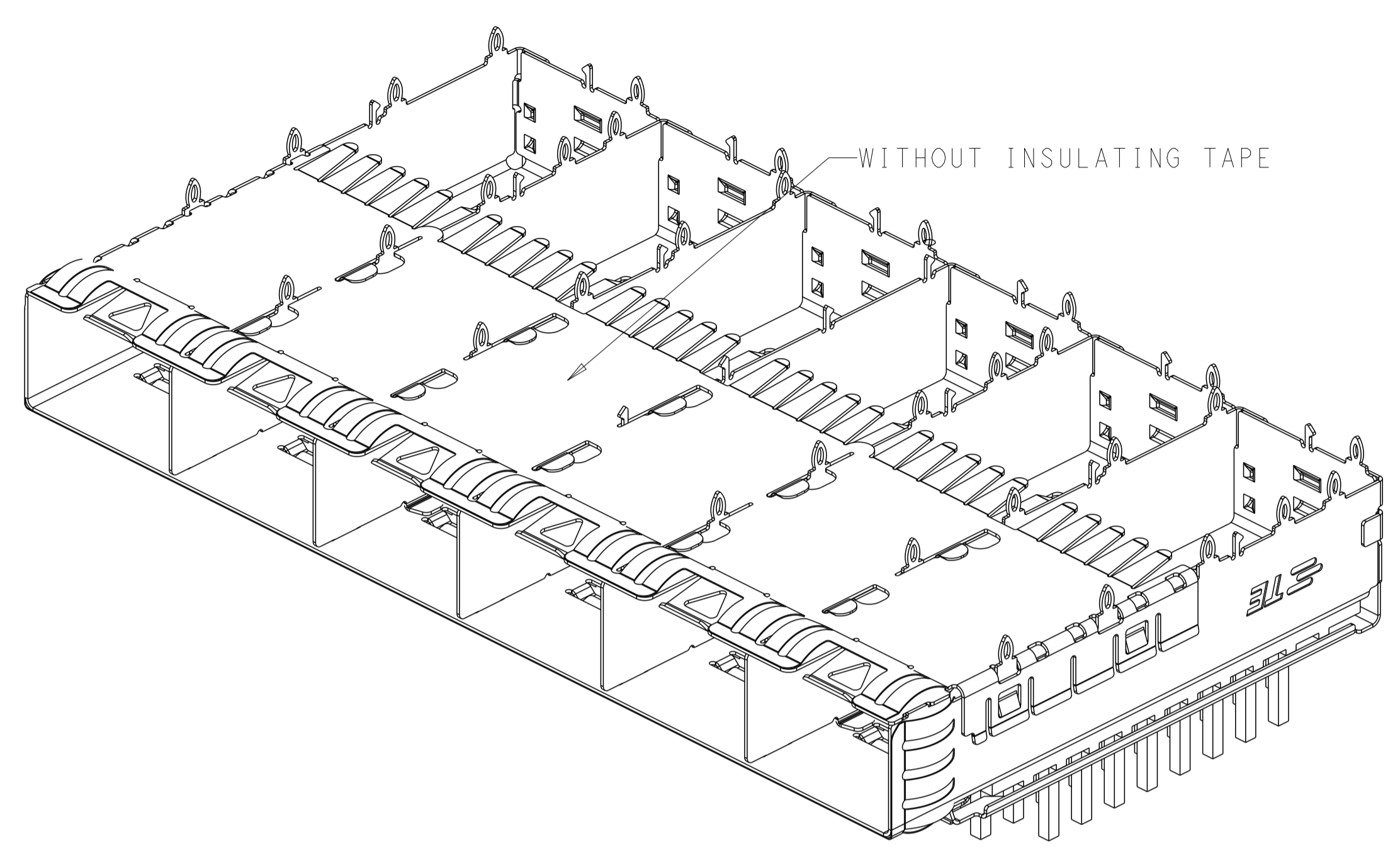
SIZE: CAGE CODE DRAWING NO: A100779C=2198235
 WEIGHT: -
 RESTRICTED TO: -

Customer Drawing SCALE 4:1 SHEET 1 OF 8 REV B3

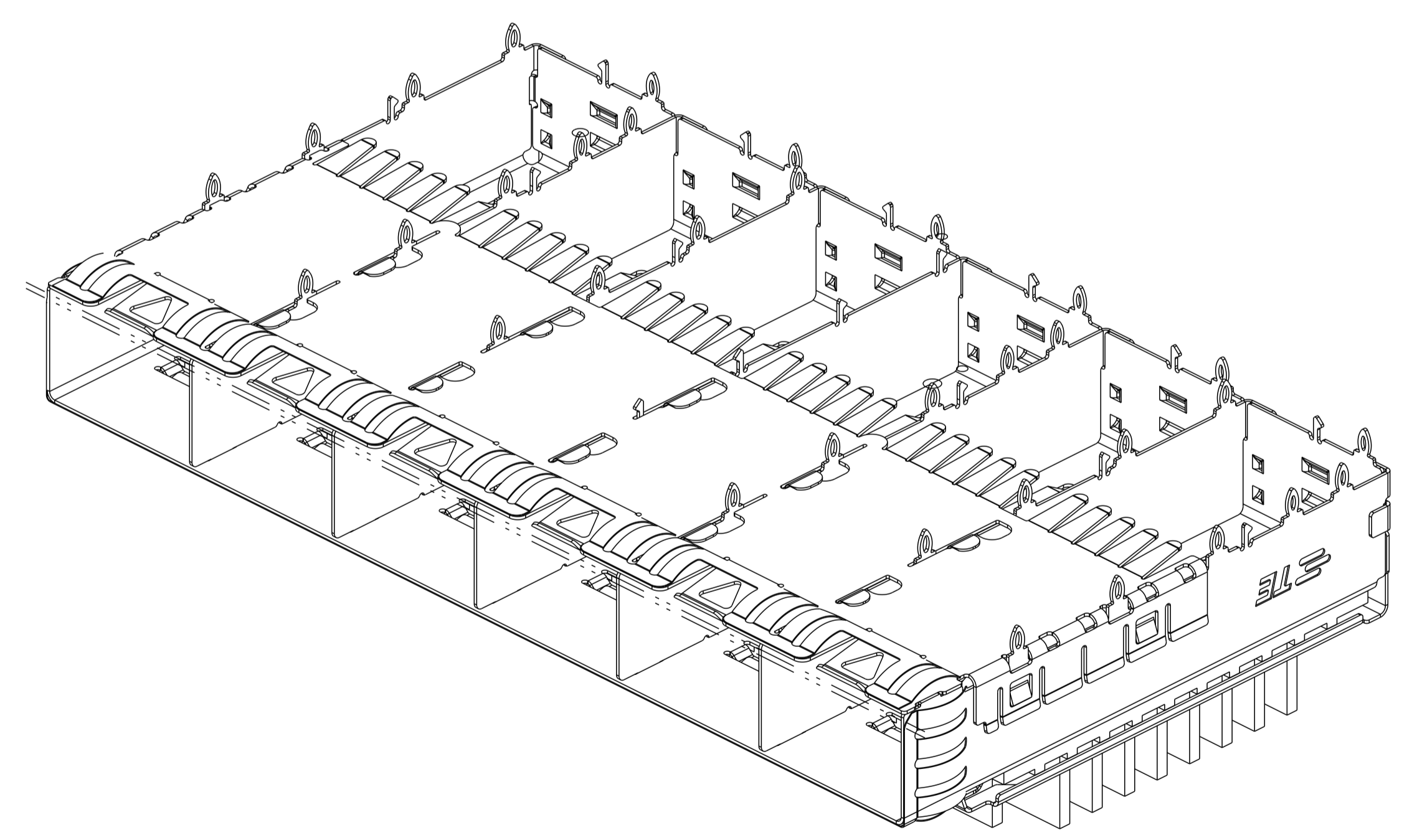
LOC	DIST	REVISIONS			
P	LYR	DESCRIPTION	DATE	OWN	APVD
-	-	SEE SHEET 1	-	-	-



2198235-5 AS SHOWN WITH INSULATING TAPE
 WITH PIN TYPE HEAT SINK



2198235-1,2,3,4 WITHOUT INSULATING TAPE
 WITH PIN TYPE HEAT SINK

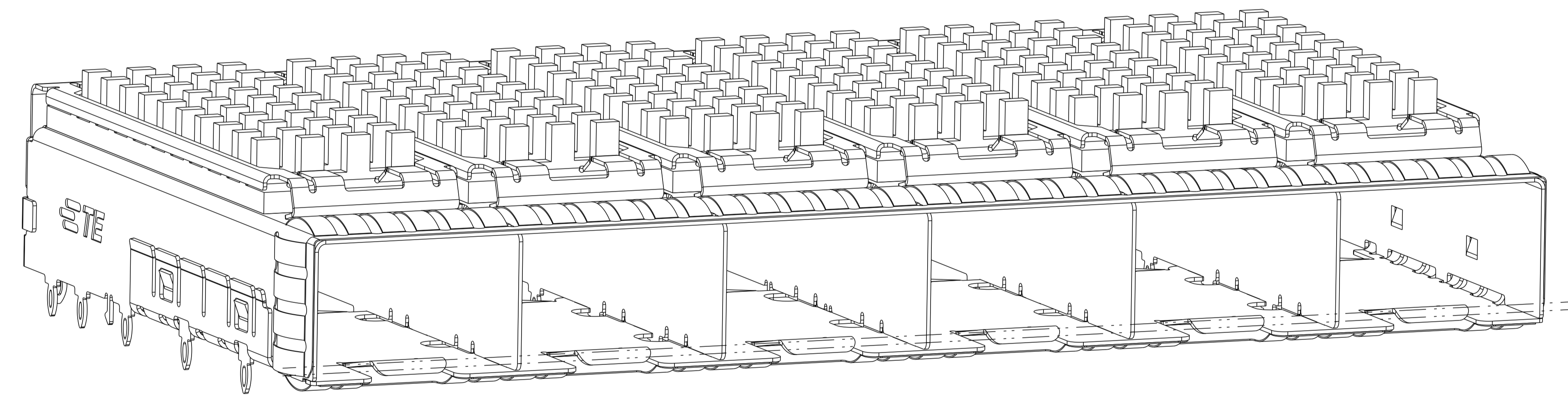
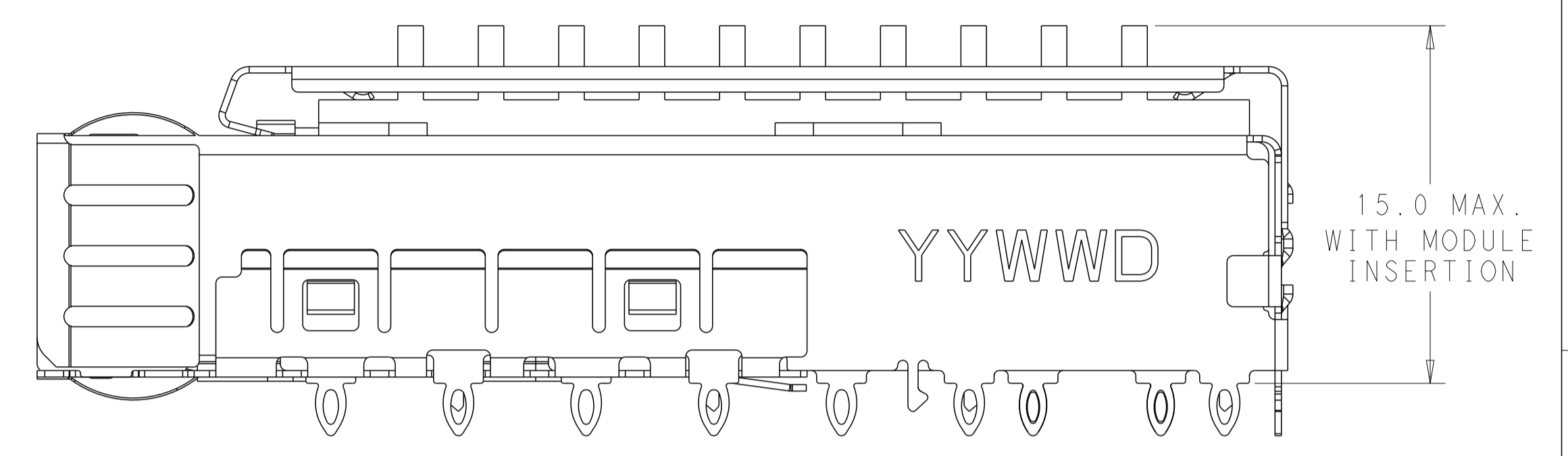
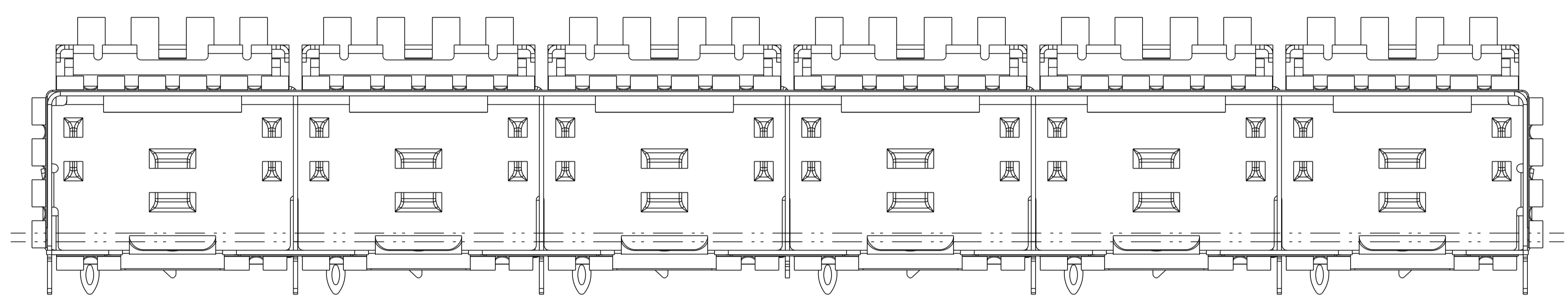


2198235-6,7,8,9 AS SHOWN WITHOUT INSULATING TAPE WITH FIN TYPE HEAT SINK

THIS DRAWING IS A CONTROLLED DOCUMENT.		OWN	B. MATTHEWS	15NOV2011	TE Connectivity NAME SFP+ ENHANCED 1X6 CAGE ASSEMBLY, PRESS FIT, EXTERNAL EMI SPRINGS WITH HEATSINK SIZE CAGE CODE DRAWING NO A100779 C=2198235 RESTRICTED TO -
DIMENSIONS:		CHK	M. SCHMITT	15NOV2011	
mm		APVD	M. SCHMITT	15NOV2011	
TOLERANCES UNLESS OTHERWISE SPECIFIED: 0 PLC ±0.1 1 PLC ±0.1 2 PLC ±0.1 3 PLC ±0.1 4 PLC ±0.1 ANGLES ±0.1° FINISH		PRODUCT SPEC	108-2364	APPLICATION SPEC	
		MATERIAL	114-13120	WEIGHT	-
		Customer Drawing		SCALE	4:1
				SHEET	2 OF 8
				REV	B3

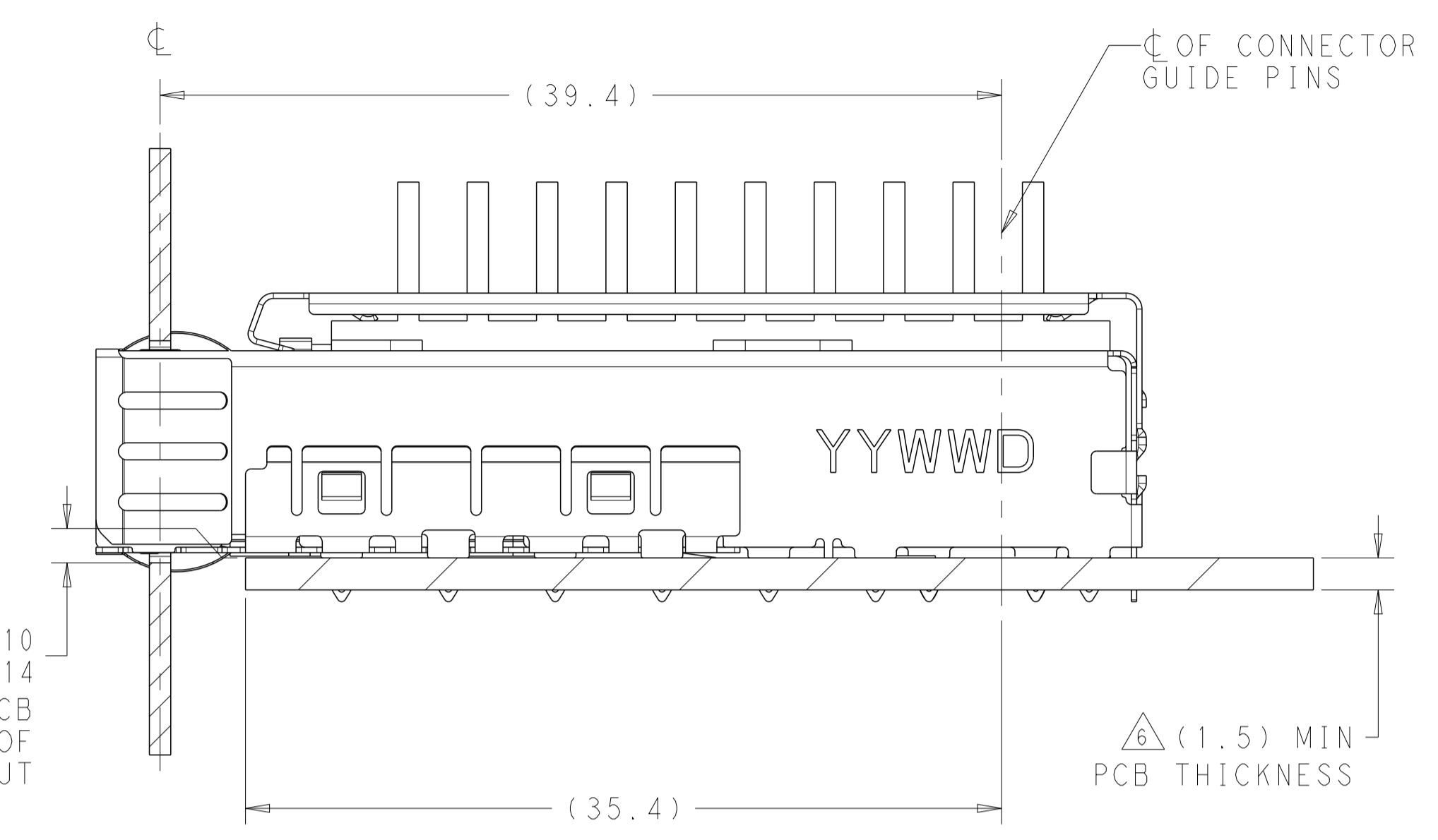
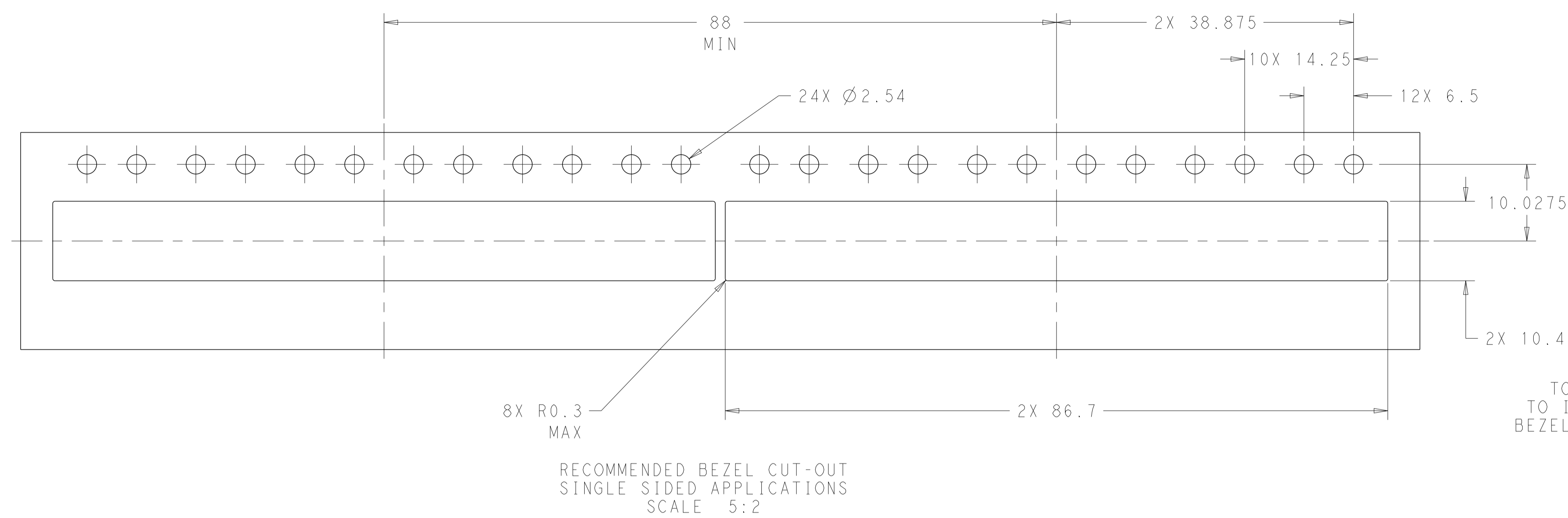
LOC	DIST	REVISIONS					
GP	00	P	LTN	DESCRIPTION	DATE	DWN	APVD
		-		SEE SHEET 1			

1-2198235-1 AS SHOWN
 UNSPECIFIED DIMENSIONS ARE SAME AS 2198235-1

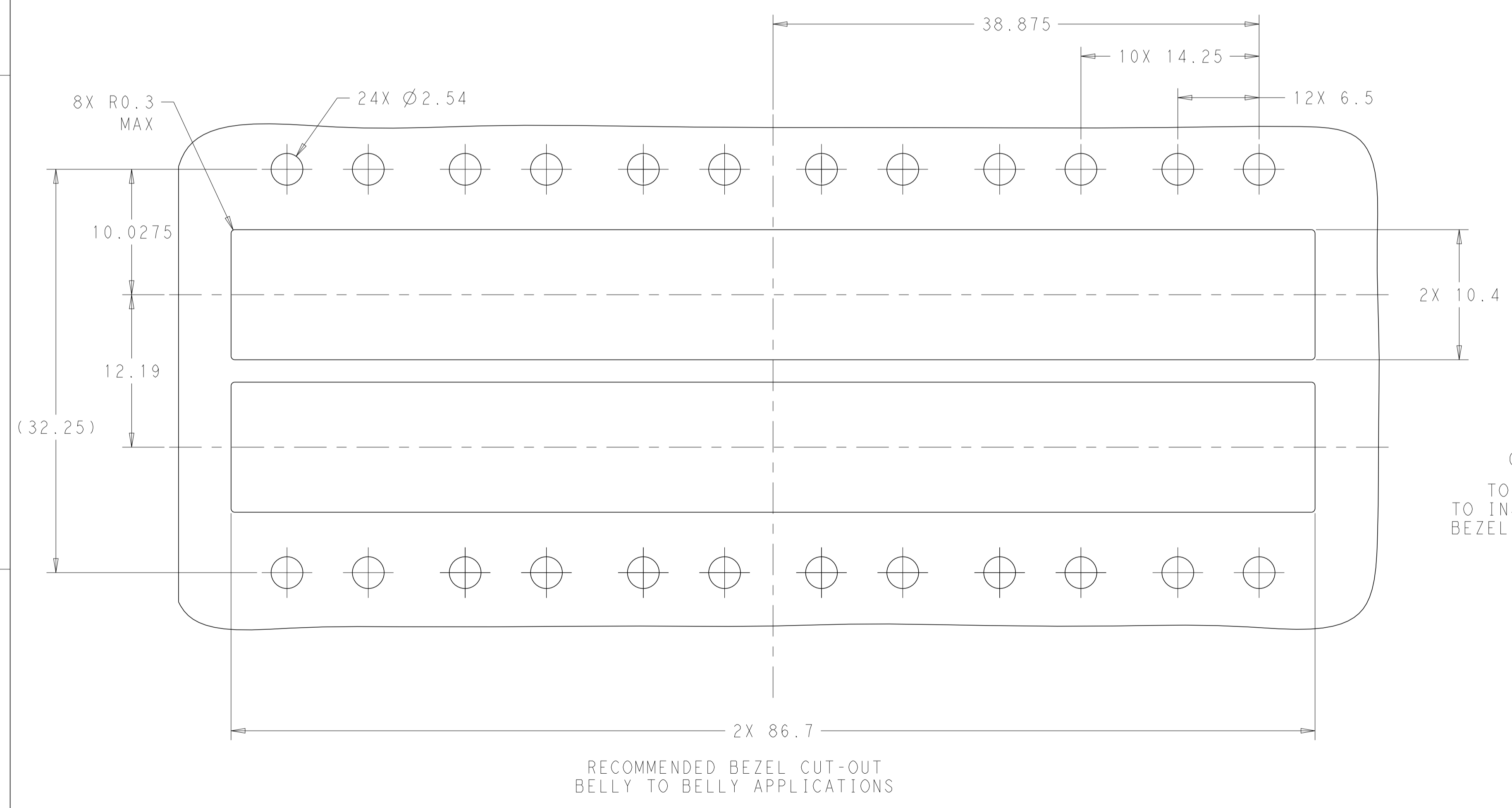


THIS DRAWING IS A CONTROLLED DOCUMENT.		DWN B. MATTHEWS 15NOV2011	TE Connectivity NAME SFP+ ENHANCED 1X6 CAGE ASSEMBLY, PRESS FIT, EXTERNAL EMI SPRINGS WITH HEATSINK
DIMENSIONS:		CHK M. SCHMITT 15NOV2011	
mm	TOLERANCES UNLESS OTHERWISE SPECIFIED:	APVD M. SCHMITT 15NOV2011	PRODUCT SPEC
	0 PLC ±0.1		APPLICATION SPEC
	1 PLC ±0.1		SIZE CAGE CODE DRAWING NO
	2 PLC ±0.1		RESTRICTED TO
	3 PLC ±0.1		A100779C=2198235
	4 PLC ±0.1		Customer Drawing
	ANGLES ±0.1		SCALE 4:1 SHEET 3 OF 8 REV B3
	FINISH ±1*		

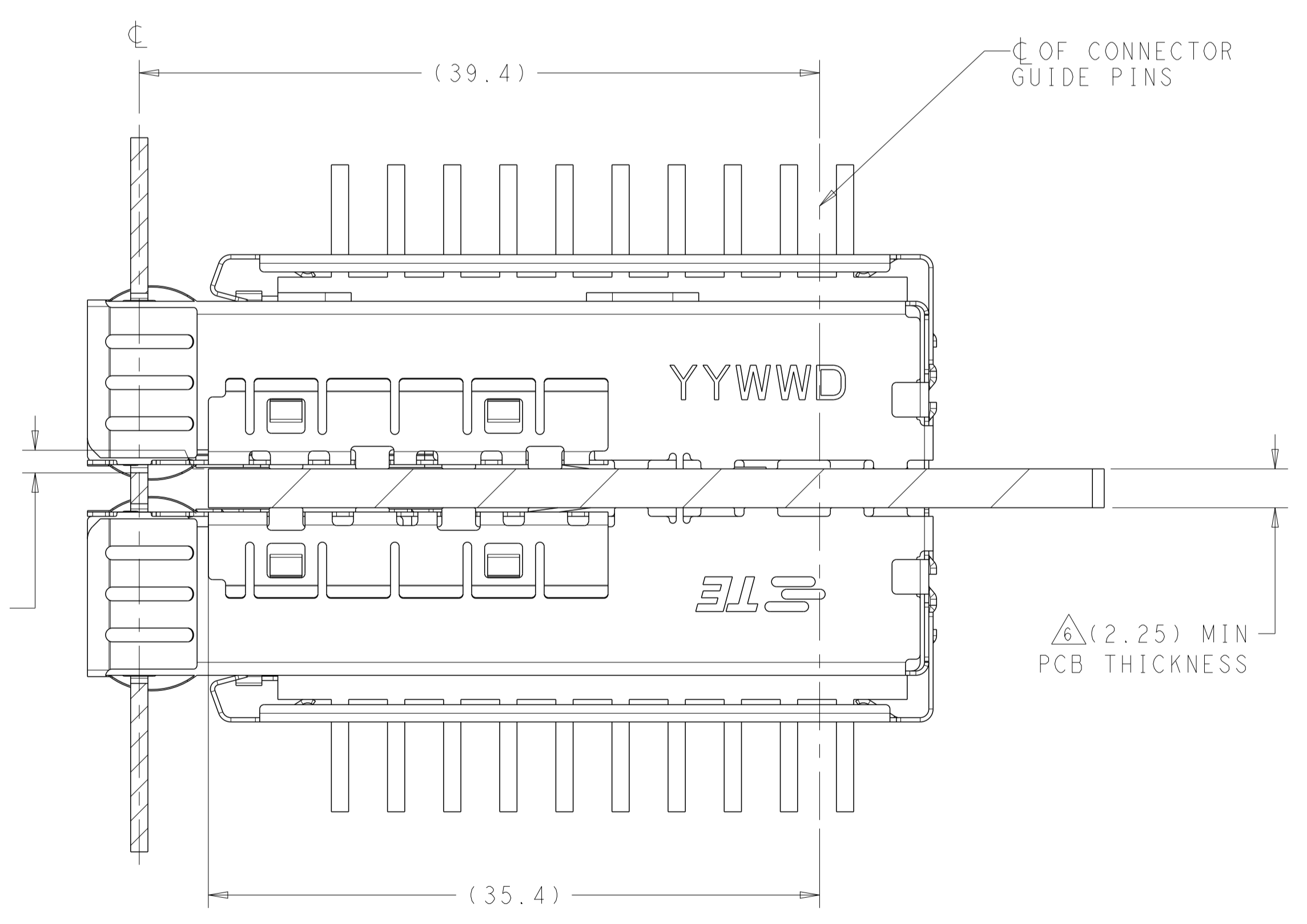
LOC	DIST	REV	DATE	BY	APPV
GP	00				
REVISIONS					
DESCRIPTION					
SEE SHEET 1					



2198235
MOUNTED ON PC BOARD
SHOWN THRU RECOMMENDED BEZEL



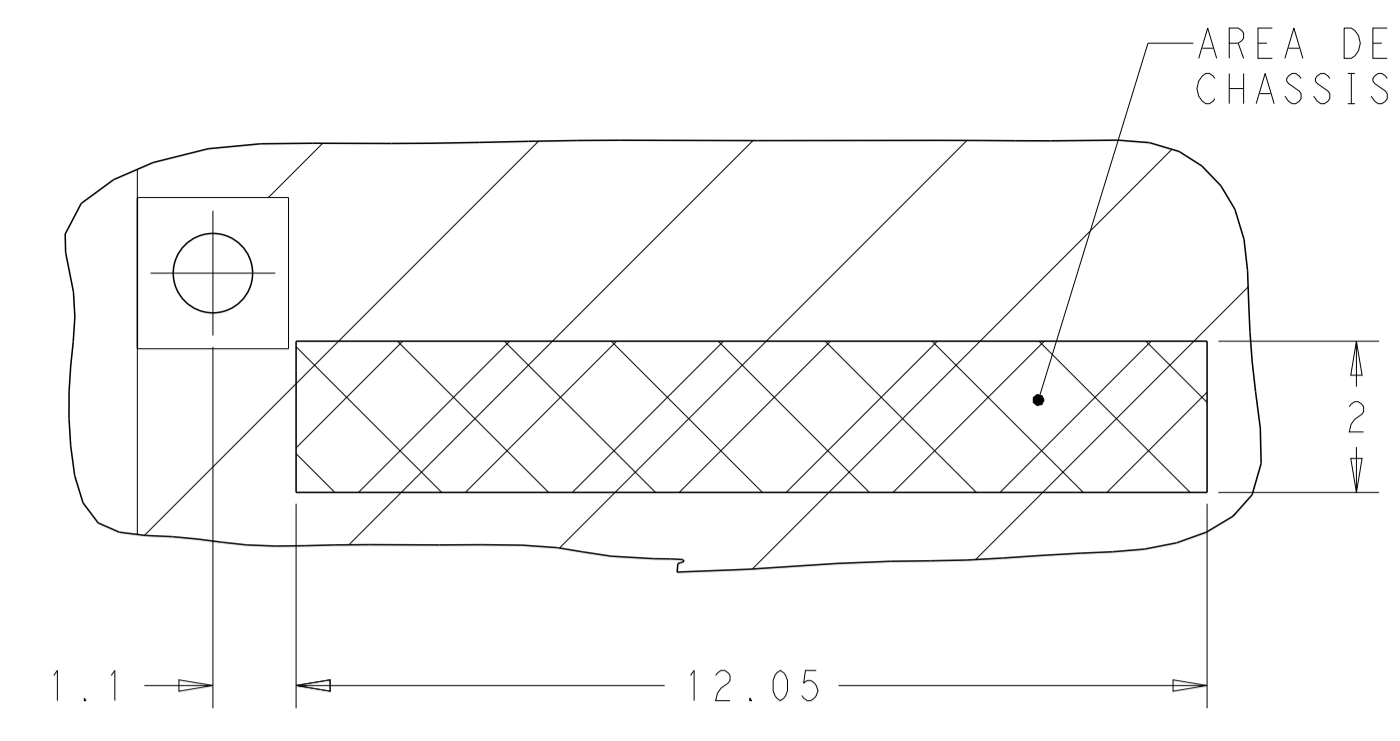
0.23^{+0.10}_{-0.14}
TOP OF PCB
TO INSIDE OF
BEZEL CUT-OUT



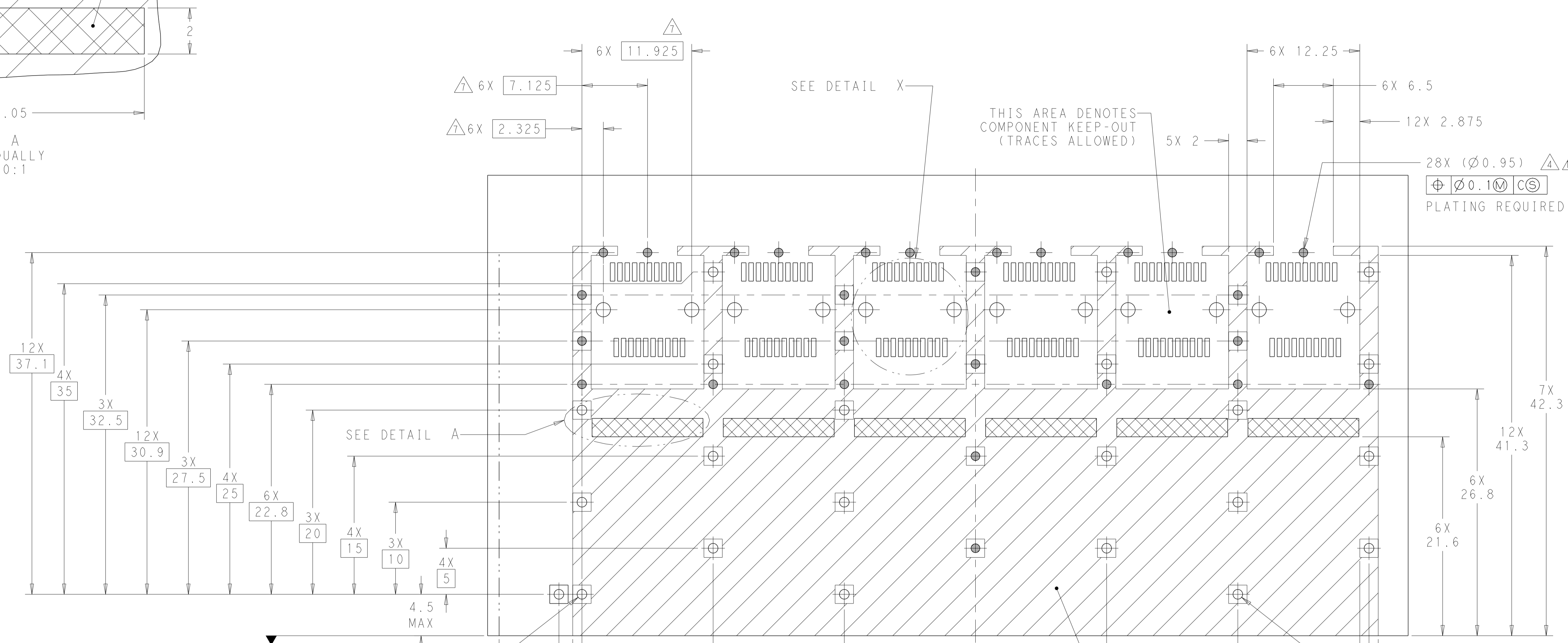
2198235
MOUNTED BELLY TO BELLY ON PC BOARD
SHOWN THRU RECOMMENDED BEZEL

THIS DRAWING IS A CONTROLLED DOCUMENT.		OWN: B. MATTHEWS 15NOV2011	TE Connectivity
DIMENSIONS: mm		CHK: M. SCHMITT 15NOV2011	
TOLERANCES UNLESS OTHERWISE SPECIFIED:		APV: M. SCHMITT 15NOV2011	NAME: SFP+ ENHANCED 1X6 CAGE ASSEMBLY, PRESS FIT, EXTERNAL EMI SPRINGS WITH HEATSINK
0 PLC	±0.1	PRODUCT SPEC	108-2364
1 PLC	±0.1	APPLICATION SPEC	114-13120
2 PLC	±0.1	WEIGHT	-
3 PLC	±0.1	Customer Drawing	SCALE 4:1 SHEET 4 OF 8 REV B3
4 PLC	±0.1		
ANGLES	±1°		
MATERIAL			

LOC	DIST	REV	DESCRIPTION	DATE	DWN	APVD
GP	00		SEE SHEET 1			



DETAIL A
 6X INDIVIDUALLY
 SCALE 10:1

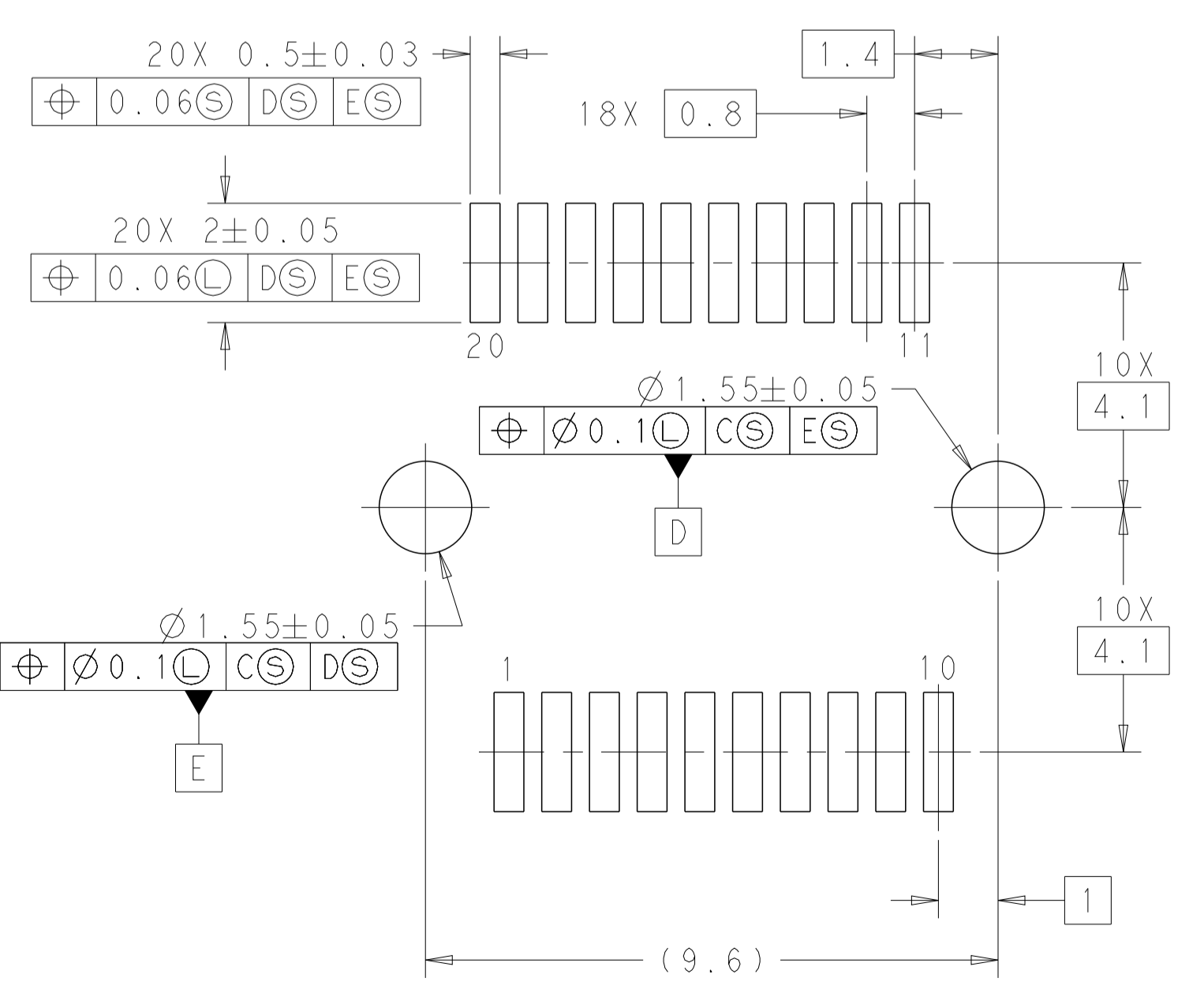


THIS AREA DENOTES
 COMPONENT KEEP-OUT
 (TRACES ALLOWED)

28X (Ø0.95) PLATING REQUIRED

SEE DETAIL X

SEE DETAIL A



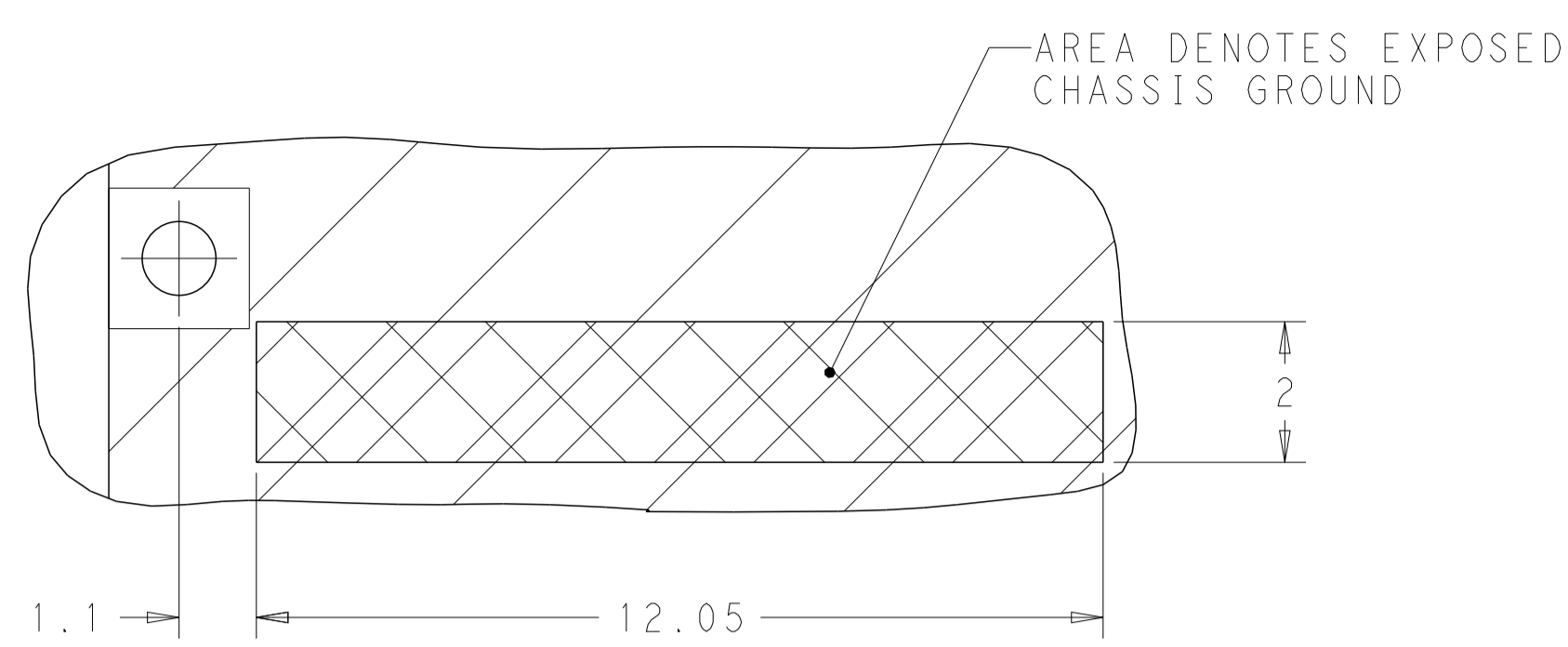
DETAIL X
 RECOMMENDED PT CONNECTOR LAYOUT
 6X INDIVIDUALLY
 SCALE 10:1

RECOMMENDED PCB CONFIGURATION
 WITH KEEP-OUT AREAS
 SINGLE SIDED APPLICATIONS
 SCALE 4:1

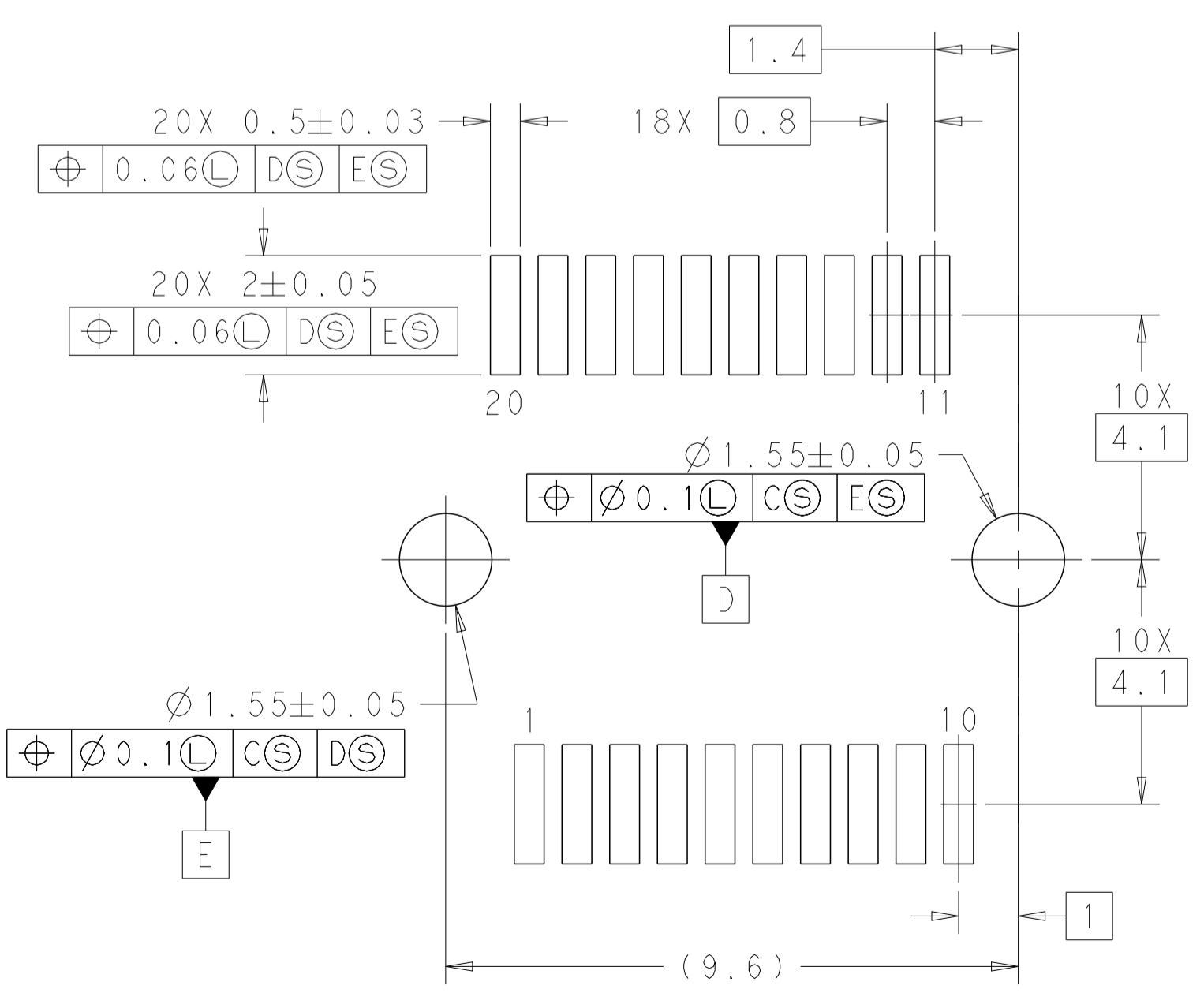
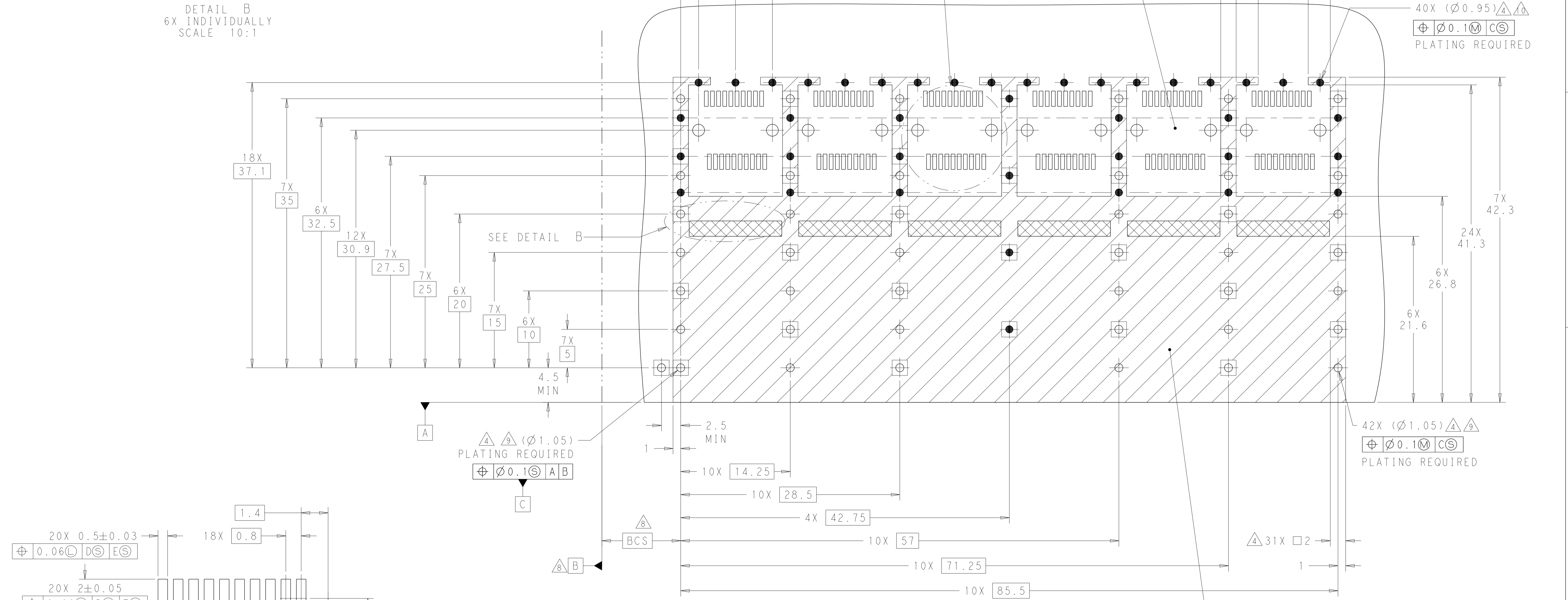
CROSS-HATCHED AREA
 DENOTES COMPONENT
 AND TRACE KEEP-OUT
 (EXCEPT CHASSIS
 GROUND)

THIS DRAWING IS A CONTROLLED DOCUMENT.		DWN B. MATTHEWS 15NOV2011	STE TE Connectivity
DIMENSIONS: mm		CHK M. SCHMITT 15NOV2011	
TOLERANCES UNLESS OTHERWISE SPECIFIED:		APVD M. SCHMITT 15NOV2011	NAME SFP+ ENHANCED 1X6 CAGE ASSEMBLY, PRESS FIT, EXTERNAL EMI SPRINGS WITH HEATSINK
0 PLC ±0.1		PRODUCT SPEC 108-2364	
1 PLC ±0.1		APPLICATION SPEC 114-13120	
2 PLC ±0.1		SIZE 114-13120	RESTRICTED TO
3 PLC ±0.1		WEIGHT	
4 PLC ±0.1		CAGE CODE DRAWING NO	A100779
ANGLES ±1*		FINISH	SCALE 4:1 SHEET 5 OF 8 REV B3
MATERIAL		Customer Drawing	

LOC	DIST	REVISIONS					
GP	00	P	LTN	DESCRIPTION	DATE	DMN	APVD
-	-	-	-	SEE SHEET 1	-	-	-



DETAIL B
6X INDIVIDUALLY
SCALE 10:1

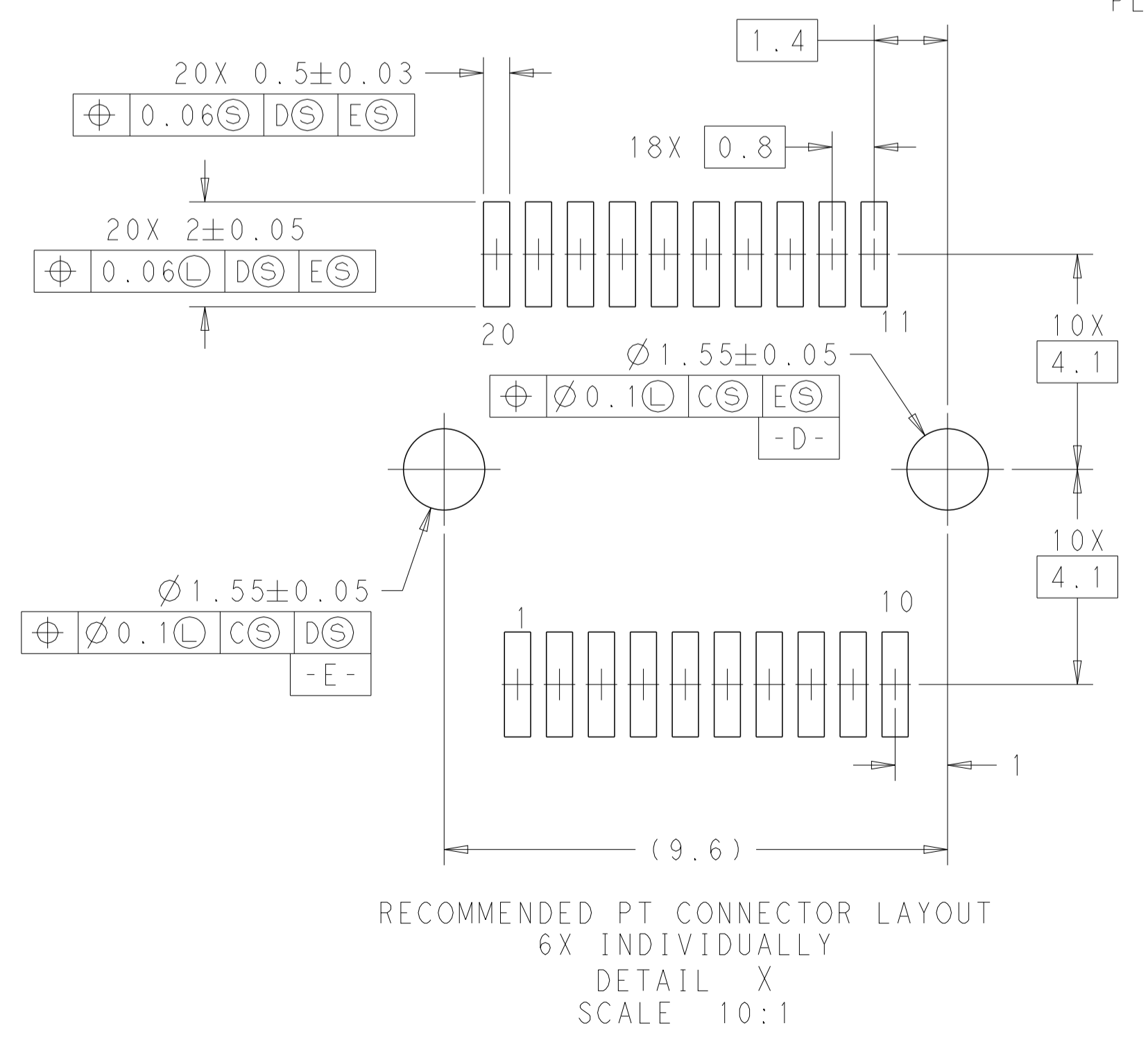
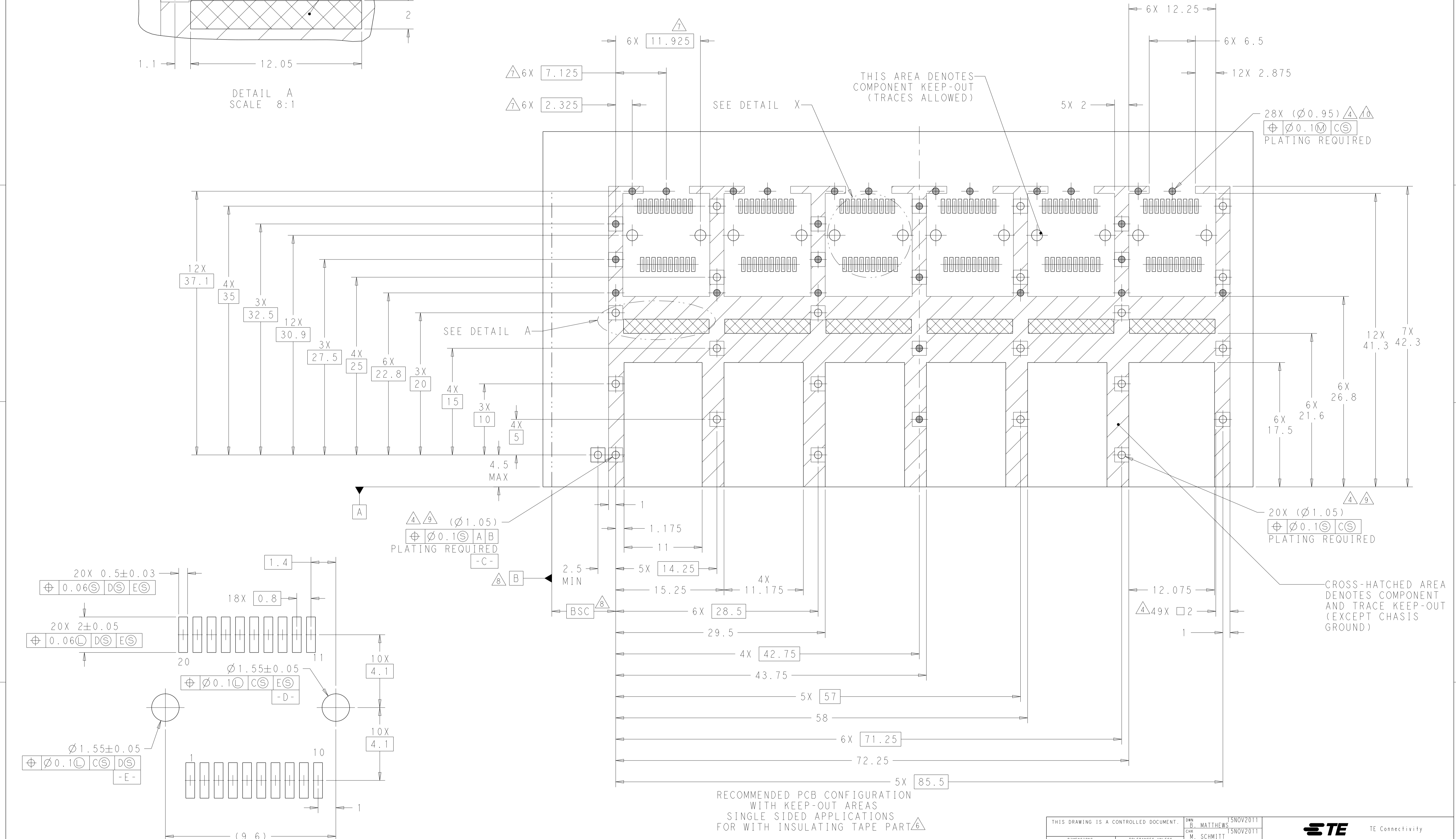
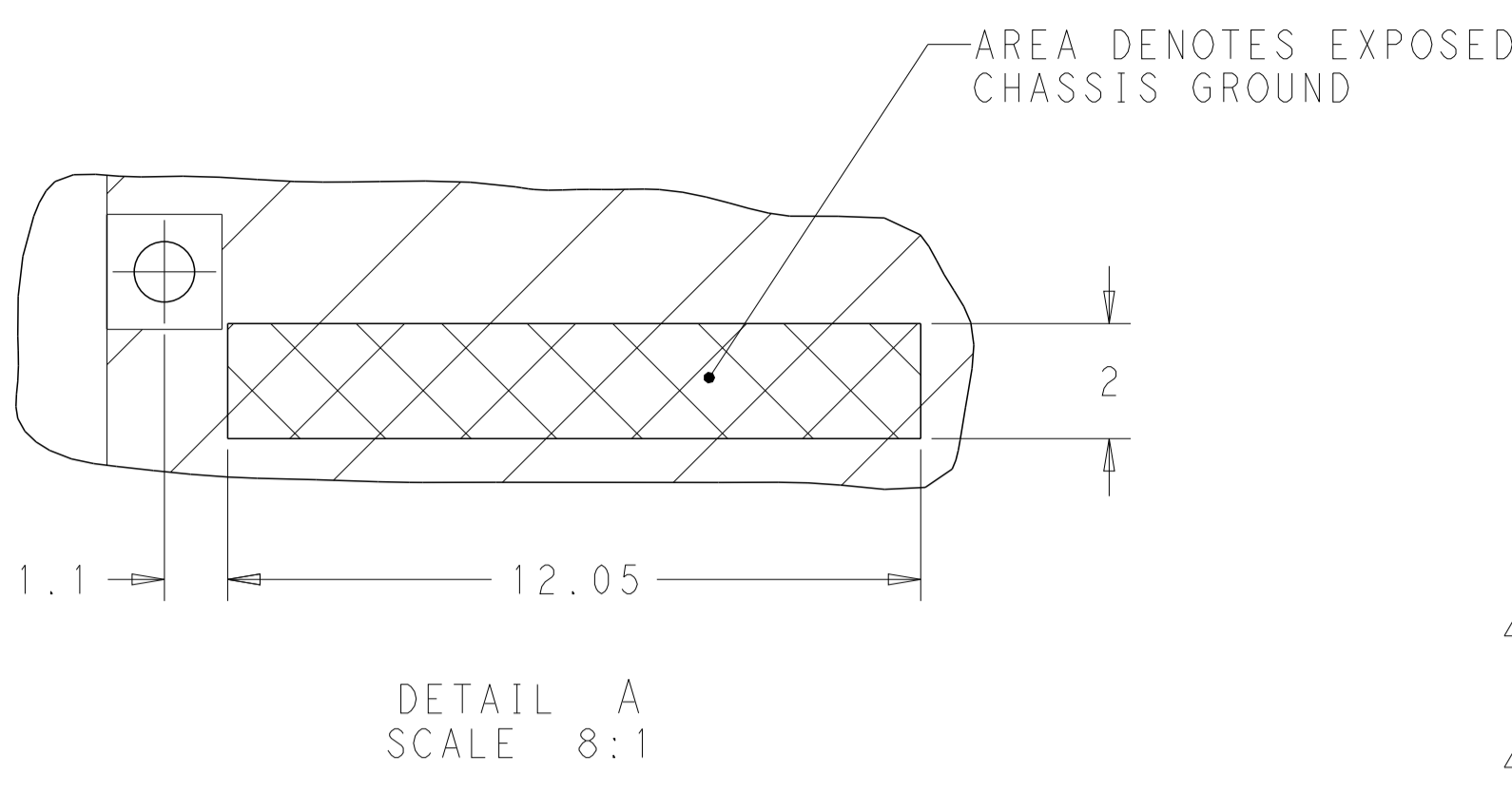


DETAIL Y
RECOMMENDED PT CONNECTOR LAYOUT
12X INDIVIDUALLY
SCALE 10:1

RECOMMENDED PCB CONFIGURATION
WITH KEEP-OUT AREAS
BELLY TO BELLY APPLICATIONS
SCALE 4:1

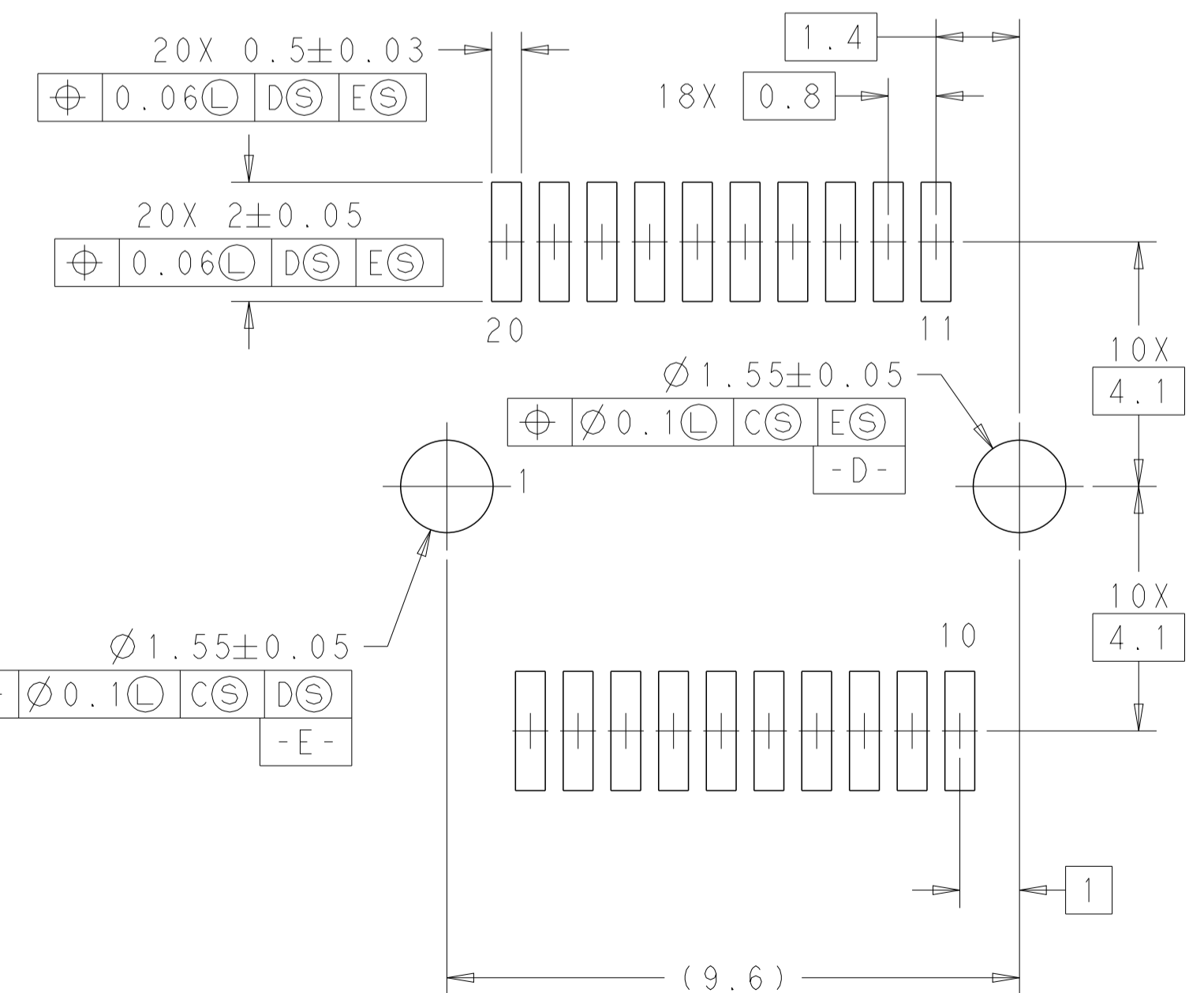
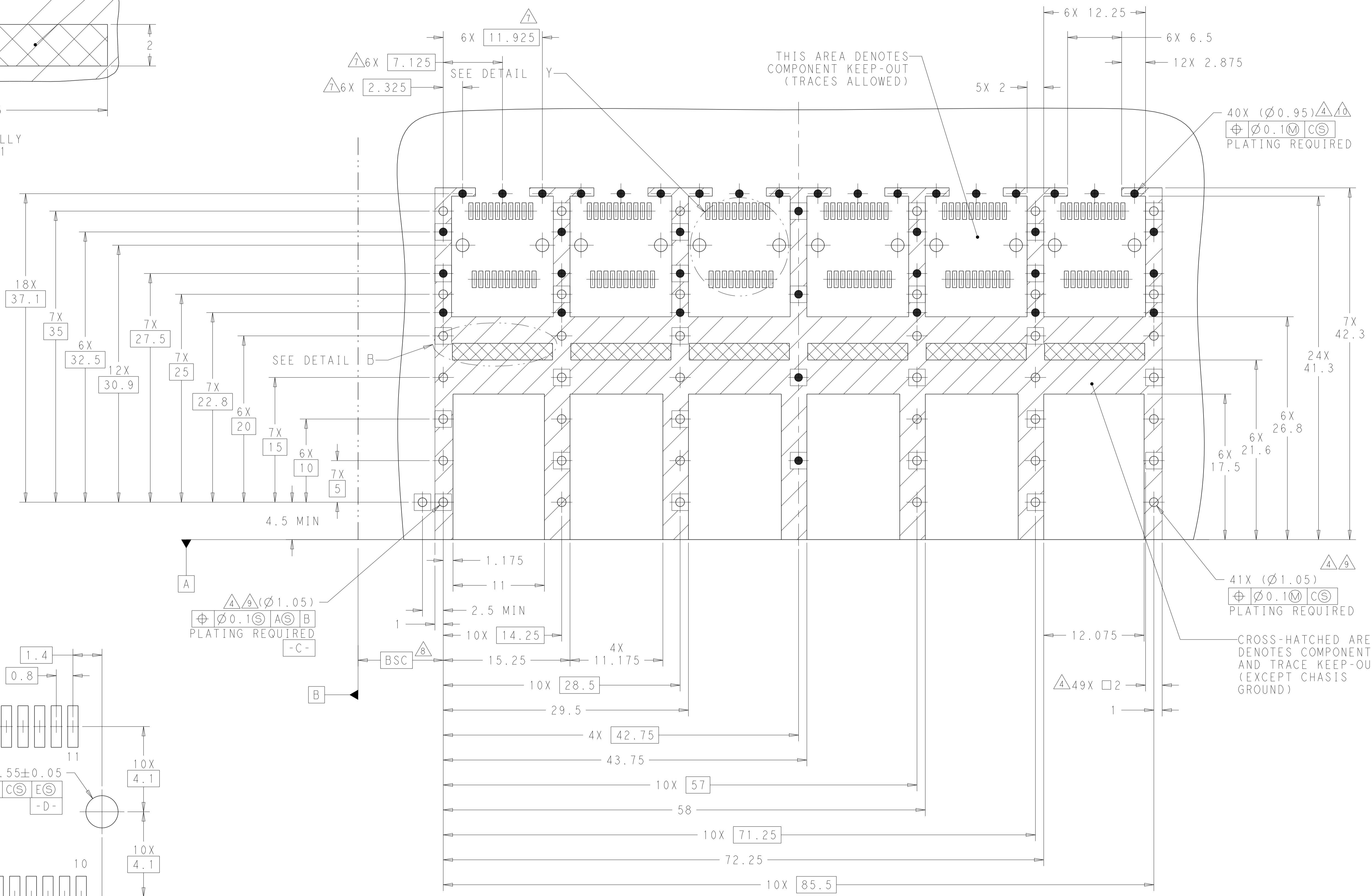
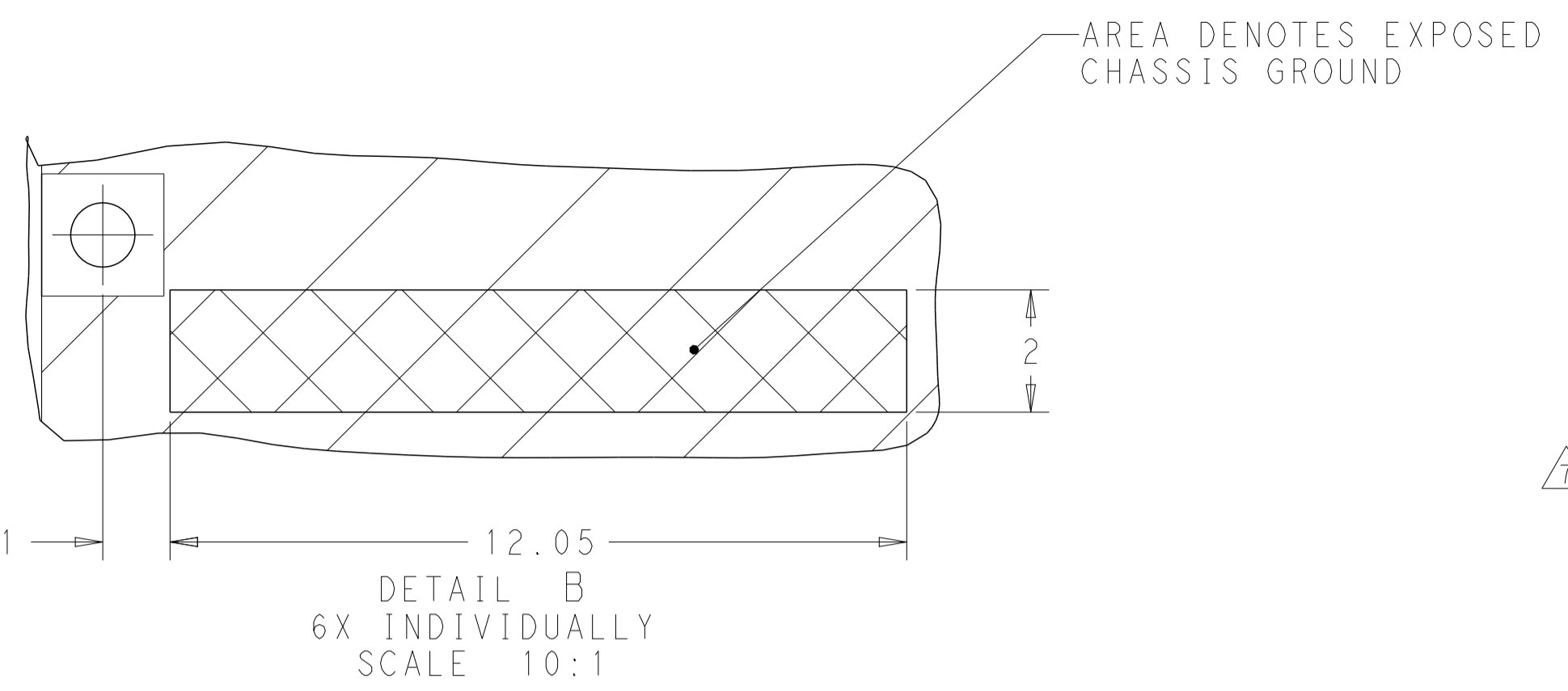
THIS DRAWING IS A CONTROLLED DOCUMENT.		DMN B. MATTHEWS 15NOV2011	TE Connectivity
DIMENSIONS: mm		CHK M. SCHMITT 15NOV2011	
TOLERANCES UNLESS OTHERWISE SPECIFIED:		APVD M. SCHMITT 15NOV2011	NAME
0 PLC	±0.1	PRODUCT SPEC	SFP+ ENHANCED 1X6 CAGE ASSEMBLY, PRESS FIT, EXTERNAL EMI SPRINGS WITH HEATSINK
1 PLC	±0.1	APPLICATION SPEC	108-2364
2 PLC	±0.1	SIZE	114-13120
3 PLC	±0.1	WEIGHT	A100779C=2198235
4 PLC	±0.1	Customer Drawing	SCALE 4:1 SHEET 6 OF 8 REV B3
ANGLES	±1°		
MATERIAL			
FINISH			

LOC	DIST	REVISIONS					
GP	00	P	LTH	DESCRIPTION	DATE	DWN	APVD
		-		SEE SHEET 1	-	-	-



THIS DRAWING IS A CONTROLLED DOCUMENT.		DWN: B. MATTHEWS 15NOV2011		TE Connectivity
DIMENSIONS: mm		CHK: M. SCHMITT 15NOV2011		
TOLERANCES UNLESS OTHERWISE SPECIFIED:		APVD: M. SCHMITT 15NOV2011	NAME: SFP+ ENHANCED 1X6 CAGE ASSEMBLY, PRESS FIT, EXTERNAL EMI SPRINGS WITH HEATSINK	
0 PLC ±0.1		PRODUCT SPEC: 108-2364	SIZE: A1	
1 PLC ±0.1		APPLICATION SPEC: 114-13120	CAGE CODE: 2198235	
2 PLC ±0.1		WEIGHT: -	RESTRICTED TO: -	
3 PLC ±0.1		Customer Drawing	SCALE: 4:1	
4 PLC ±0.1			SHEET: 7 OF 8	
ANGLES ±0.1			REV: B3	
FINISH: #1*				

LOC		DIST		REVISIONS				
GP	00	P	LTH	DESCRIPTION	DATE	OWN	APVD	
		-		SEE SHEET 1	-	-	-	



RECOMMENDED PCB CONFIGURATION WITH KEEP-OUT AREAS BELLY TO BELLY APPLICATIONS FOR WITH INSULATING TAPE PART

THIS DRAWING IS A CONTROLLED DOCUMENT.		OWN	B. MATTHEWS	15NOV2011	TE Connectivity
DIMENSIONS: mm		CHK	M. SCHMITT	15NOV2011	
TOLERANCES UNLESS OTHERWISE SPECIFIED: 0 PLC ±0.1 1 PLC ±0.1 2 PLC ±0.1 3 PLC ±0.1 4 PLC ±0.1 ANGLES ±1°		APVD	M. SCHMITT	15NOV2011	
MATERIAL FINISH		NAME	SFP+ ENHANCED 1X6 CAGE ASSEMBLY, PRESS FIT, EXTERNAL EMI SPRINGS WITH HEATSINK		RESTRICTED TO
		PRODUCT SPEC	108-2364		SIZE
		APPLICATION SPEC	114-13120		CAGE CODE
		WEIGHT	A100779C=2198235		DRAWING NO
		Customer Drawing	SCALE	4:1	SHEET
				8	OF
				8	REV
				B3	