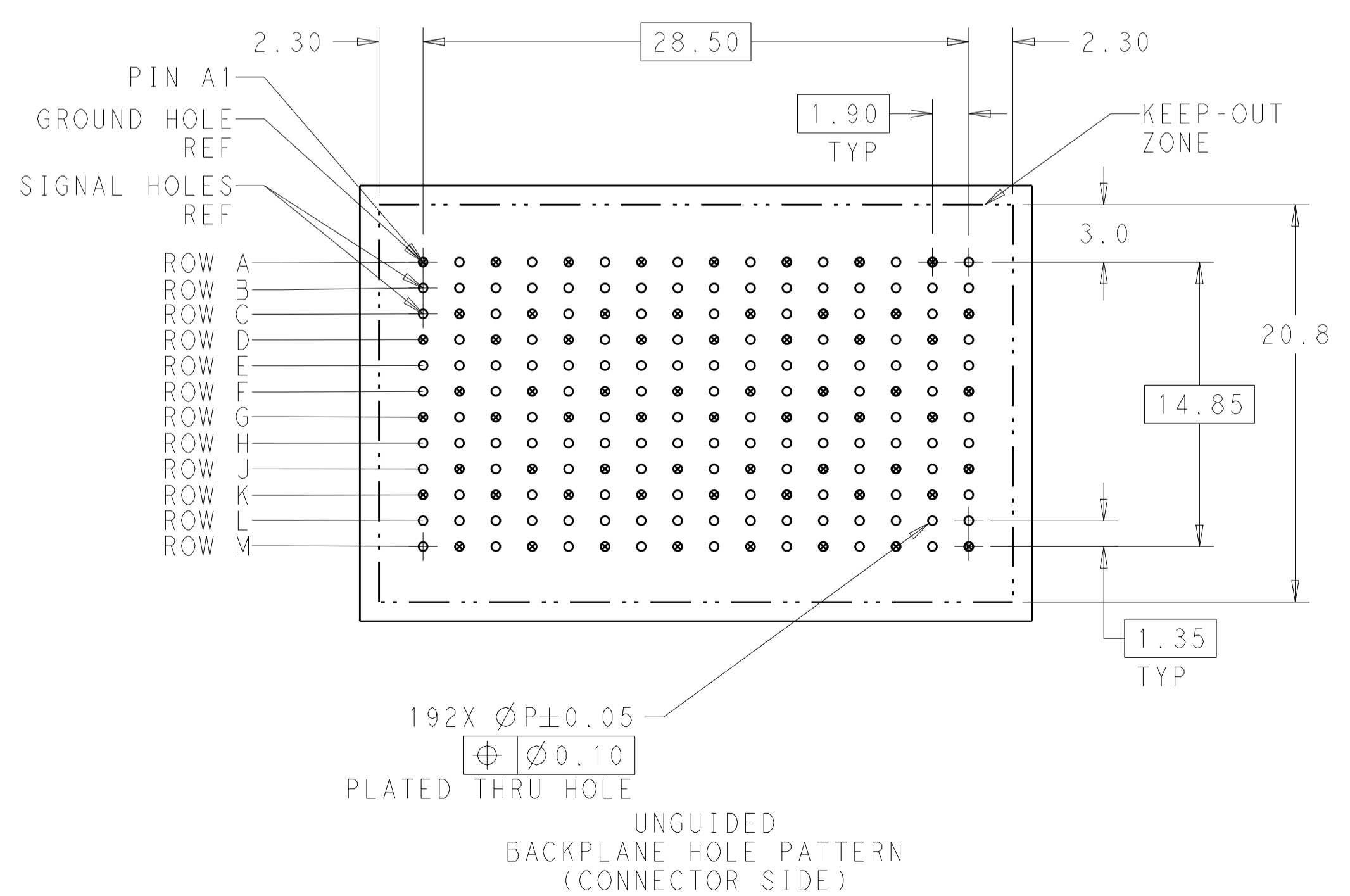
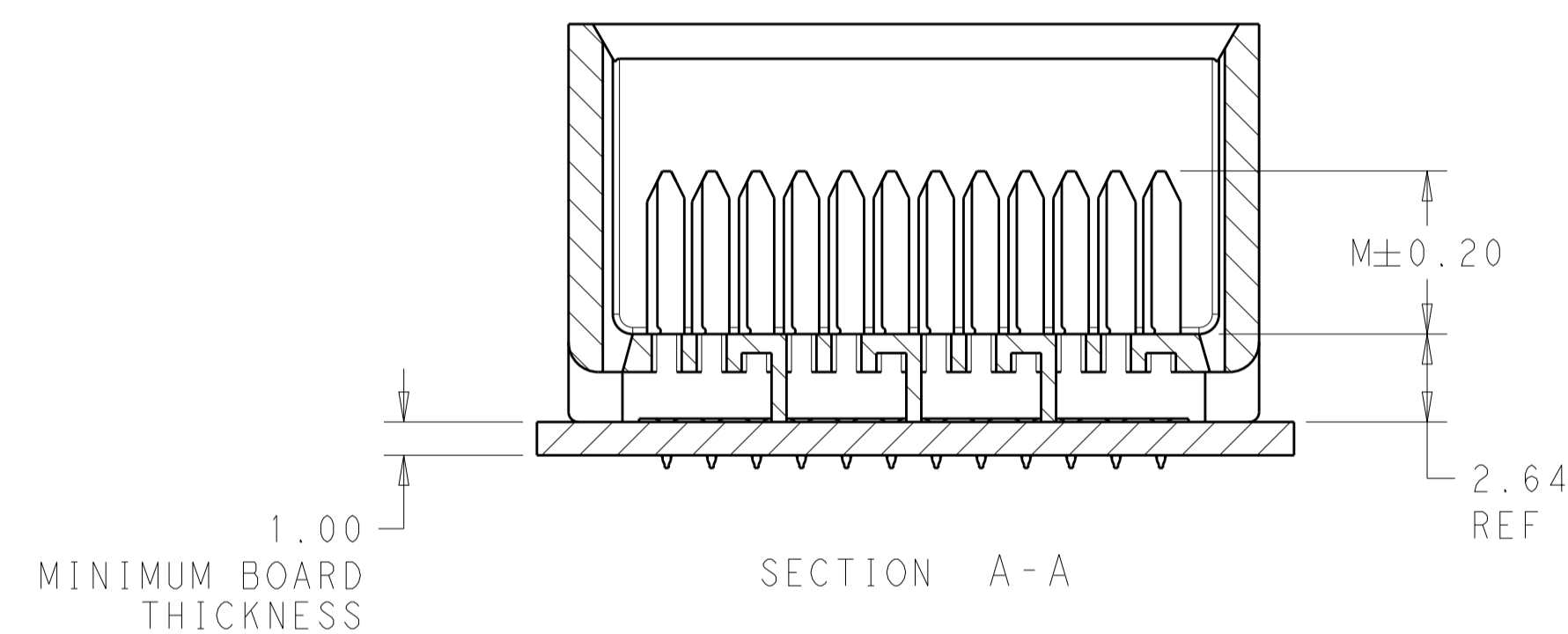
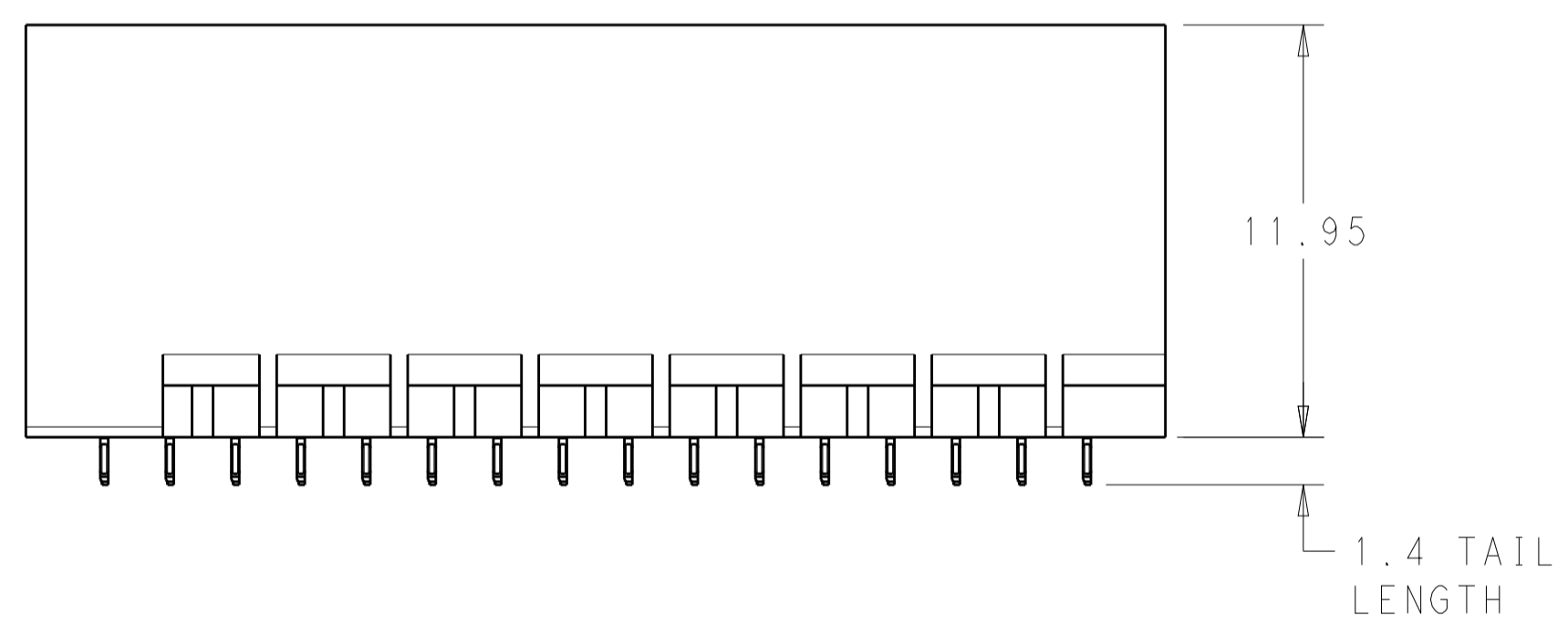
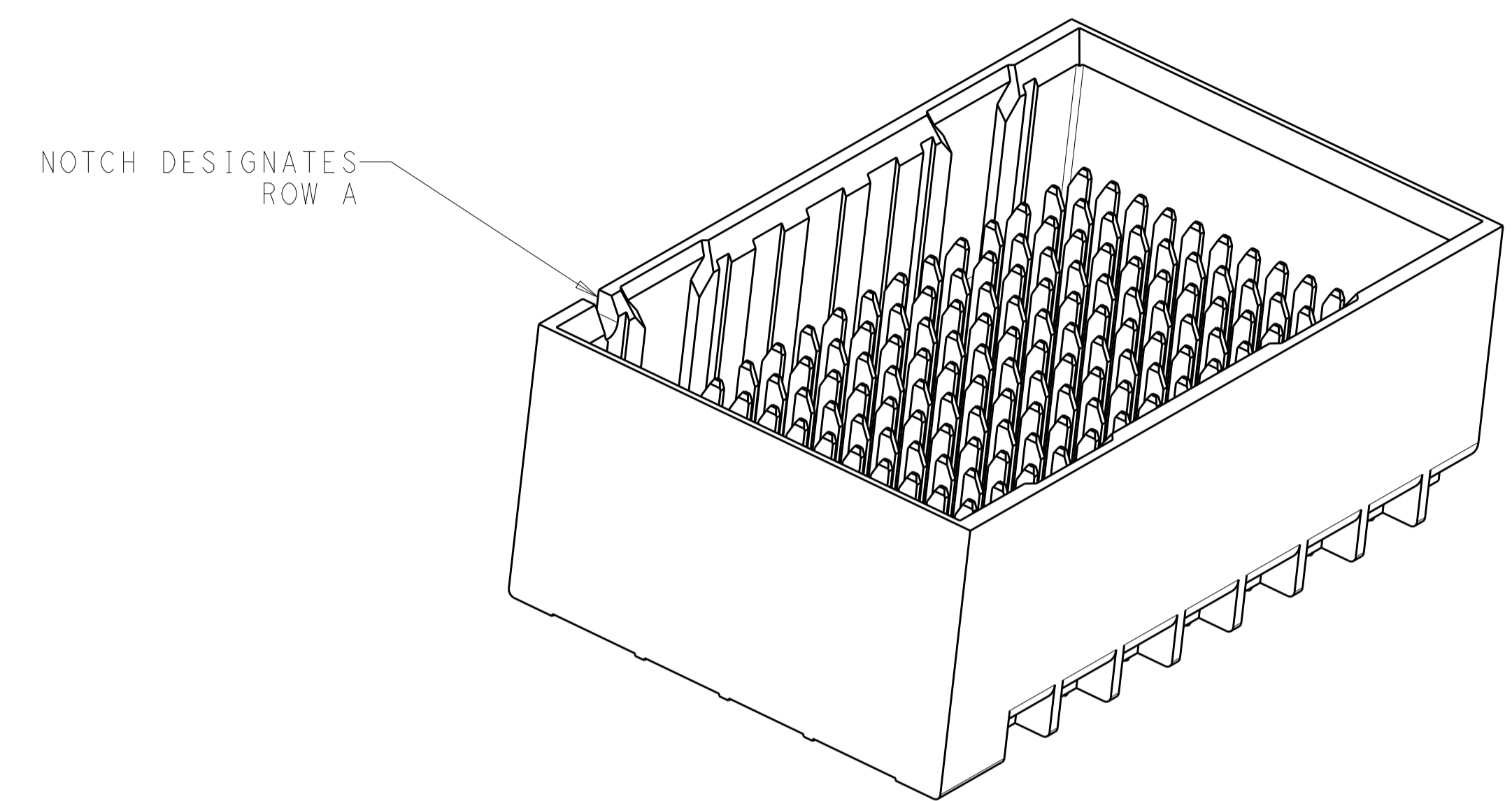
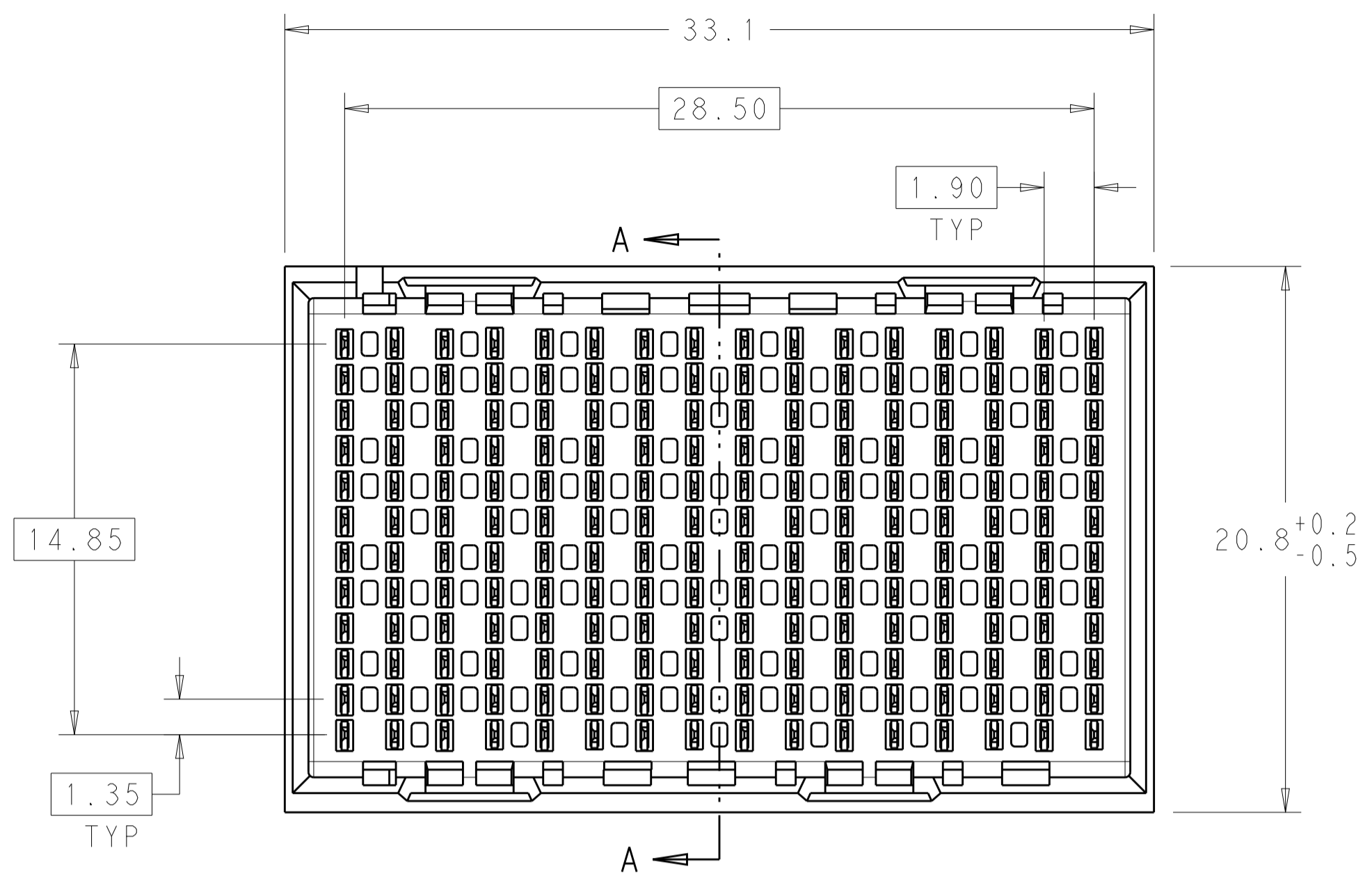


LOC		DIST		REVISIONS			
P	LTN	DESCRIPTION	DATE	DWN	APVD	SY	HL
B		REVISED PER ECO-20-011121	07AUG2020	SY	HL		



THIS DRAWING IS A CONTROLLED DOCUMENT.		DWN: B. CARBO 19DEC2012	TE Connectivity
DIMENSIONS: mm		CHK: D. DIXON 19DEC2012	
TOLERANCES UNLESS OTHERWISE SPECIFIED:		APVD: D. DIXON 19DEC2012	NAME: IMPACT, 85 OHM, STANDARD, 4 PAIR PLUS, 16 COLUMN HEADER, UNGUIDED, DUAL ENDWALL, SIGNAL MODULE
0 PLC ± 1 PLC ±0.25 2 PLC ±0.13 3 PLC ± 4 PLC ± ANGLES ±	SEE TABLE	PRODUCT SPEC APPLICATION SPEC SIZE: A100779C=2198042 WEIGHT: - Customer Drawing	RESTRICTED TO: - SCALE: 5:1 SHEET: 1 OF 2 REV: B


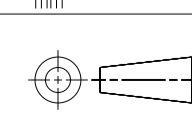
THIS DRAWING IS UNPUBLISHED. RELEASED FOR PUBLICATION 20
 © COPYRIGHT 20 BY - ALL RIGHTS RESERVED.

LOC	DIST	REVISIONS					
		P	LTN	DESCRIPTION	DATE	DMN	APVD
AD	00	-	-	SEE SHEET 1	-	-	-

- ① MATERIAL:
HOUSING: LCP, GLASS FILLED, UL94V-0.
TERMINALS: HIGH PERFORMANCE COPPER ALLOY.
- ② FINISH:
30μ" MIN GOLD IN CONTACT AREA. SELECTIVE TIN
ON PCB TAILS, NICKEL OVERALL.
- 3. SCREWS PACKAGED IN END OF PACKAGING TUBE.
- ④ FOR GROUNDED GUIDE PIN USE Ø3.56±0.08 PTH,
Ø3.66 DRILL, AND Ø6.5 PAD.
- 5. KEYING PIN SHOWN IN POSITION A, SEE KEYING CHART
ON SHEET 2 FOR OTHER POSITIONS.

0.46	5.5	2198042 6
0.46	4.9	2198042 5
0.46	4.5	2198042 4
0.39	5.5	2198042 3
0.39	4.9	2198042-2
0.39	4.5	2198042 1
P PLATED THROUGH HOLE SIZE	M POST LENGTH	PART NUMBER

REFER TO WWW.TE.COM
FOR PRODUCT AVAILABILITY

THIS DRAWING IS A CONTROLLED DOCUMENT.		DMN B. CARBO 19DEC2012	 TE Connectivity
DIMENSIONS: mm		CHK D. DIXON 19DEC2012	
TOLERANCES UNLESS OTHERWISE SPECIFIED:		APVD D. DIXON 19DEC2012	NAME IMPACT, 85 OHM, STANDARD, 4 PAIR PLUS, 16 COLUMN HEADER, UNGUIDED, DUAL ENDWALL, SIGNAL MODULE
 0 PLC ± 1 PLC ±0.25 2 PLC ±0.13 3 PLC ± 4 PLC ± ANGLES ± FINISH SEE TABLE		PRODUCT SPEC -	RESTRICTED TO
MATERIAL -		APPLICATION SPEC -	SIZE A100779C=2198042
		WEIGHT -	SCALE 5:1 SHEET 2 OF 2 REV B
		Customer Drawing	