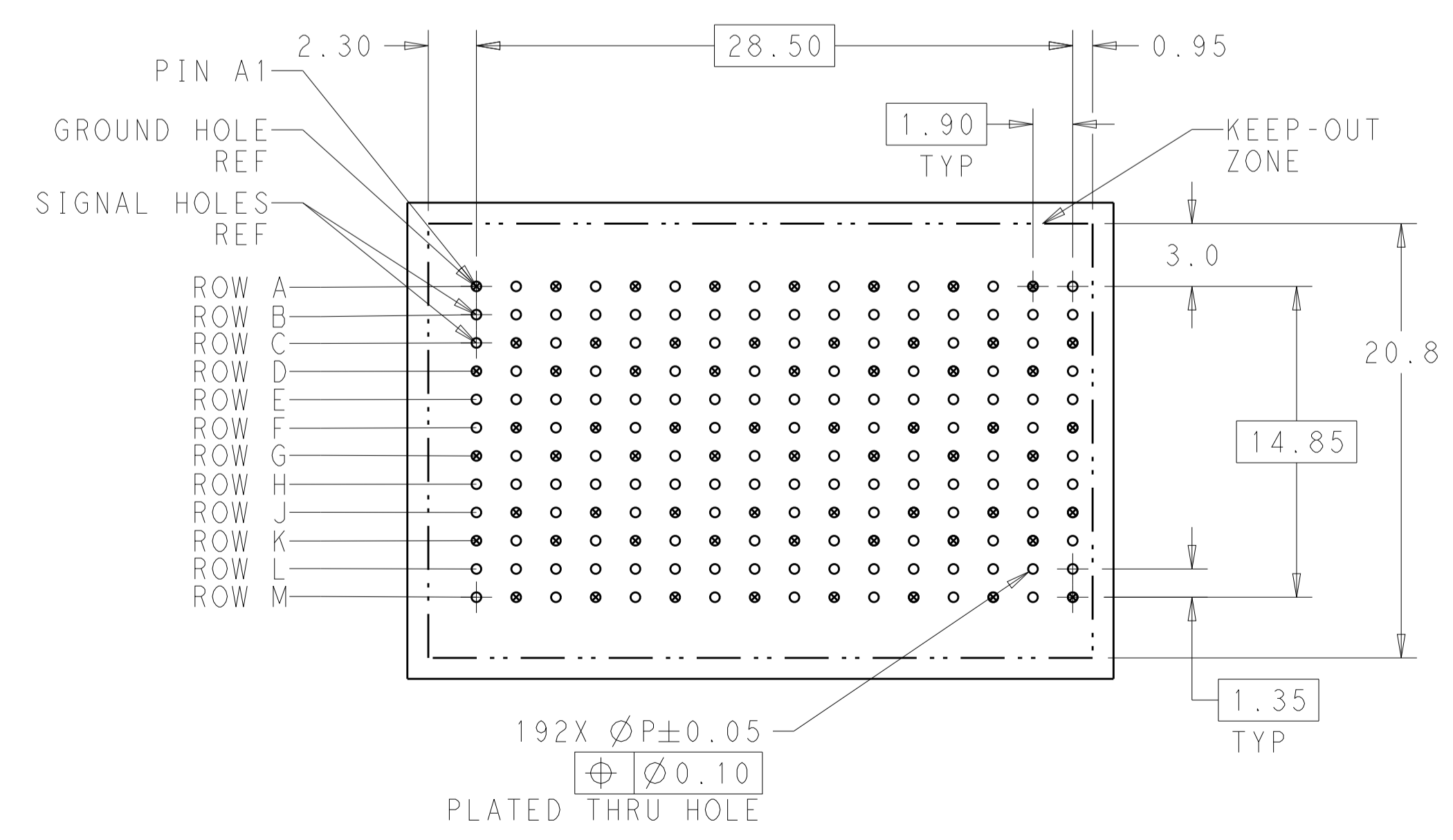
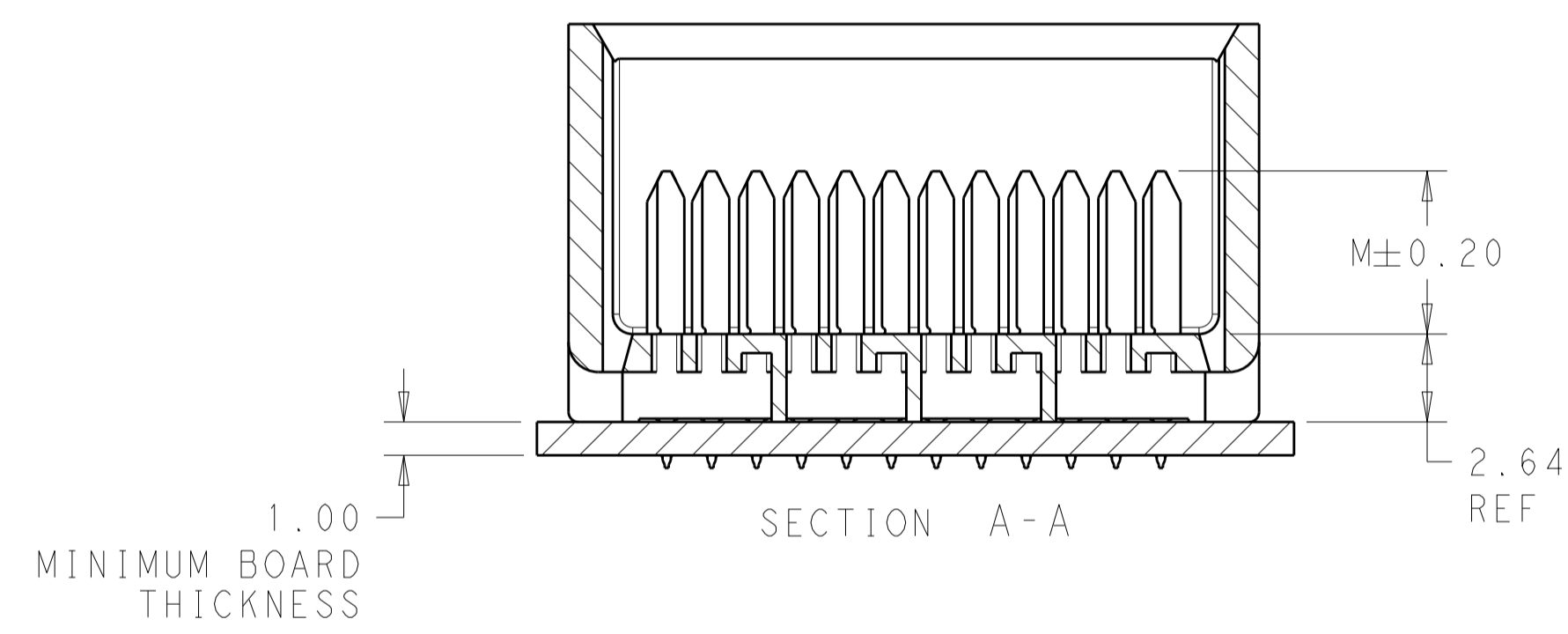
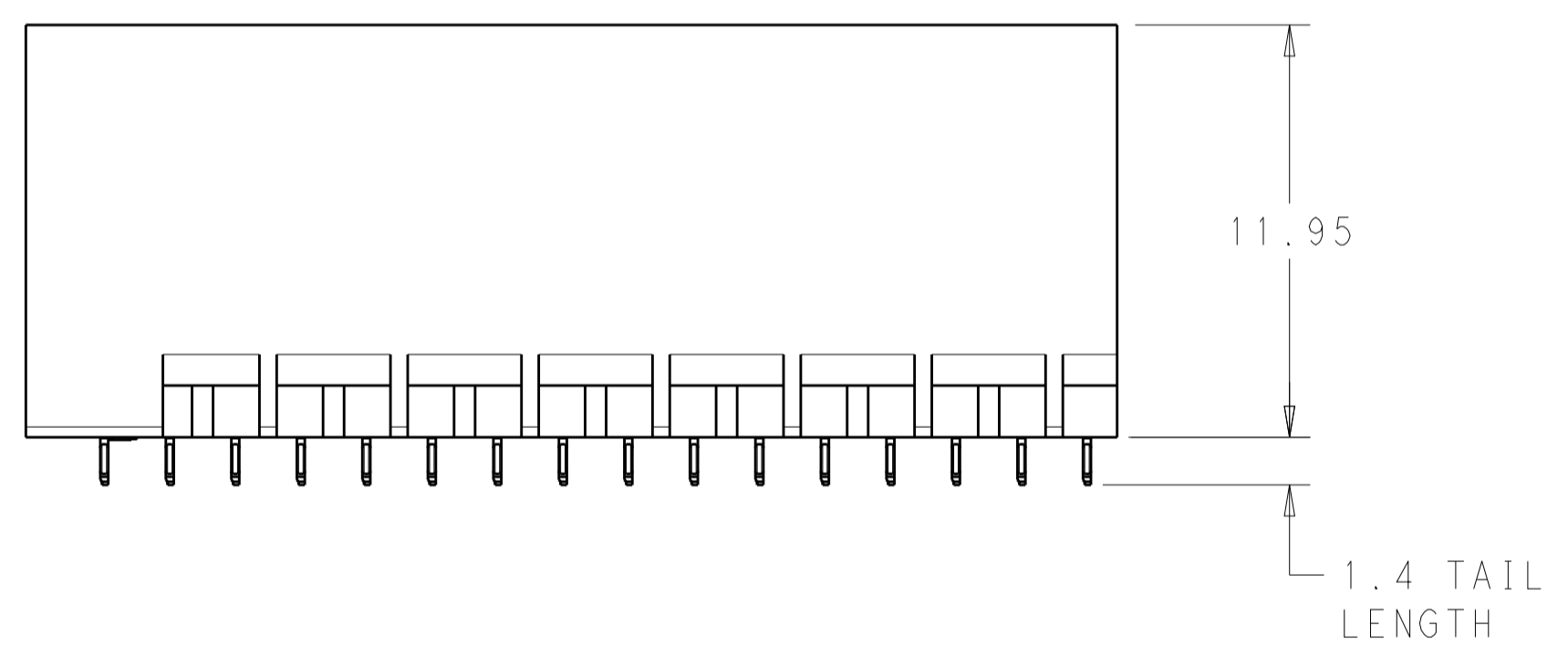
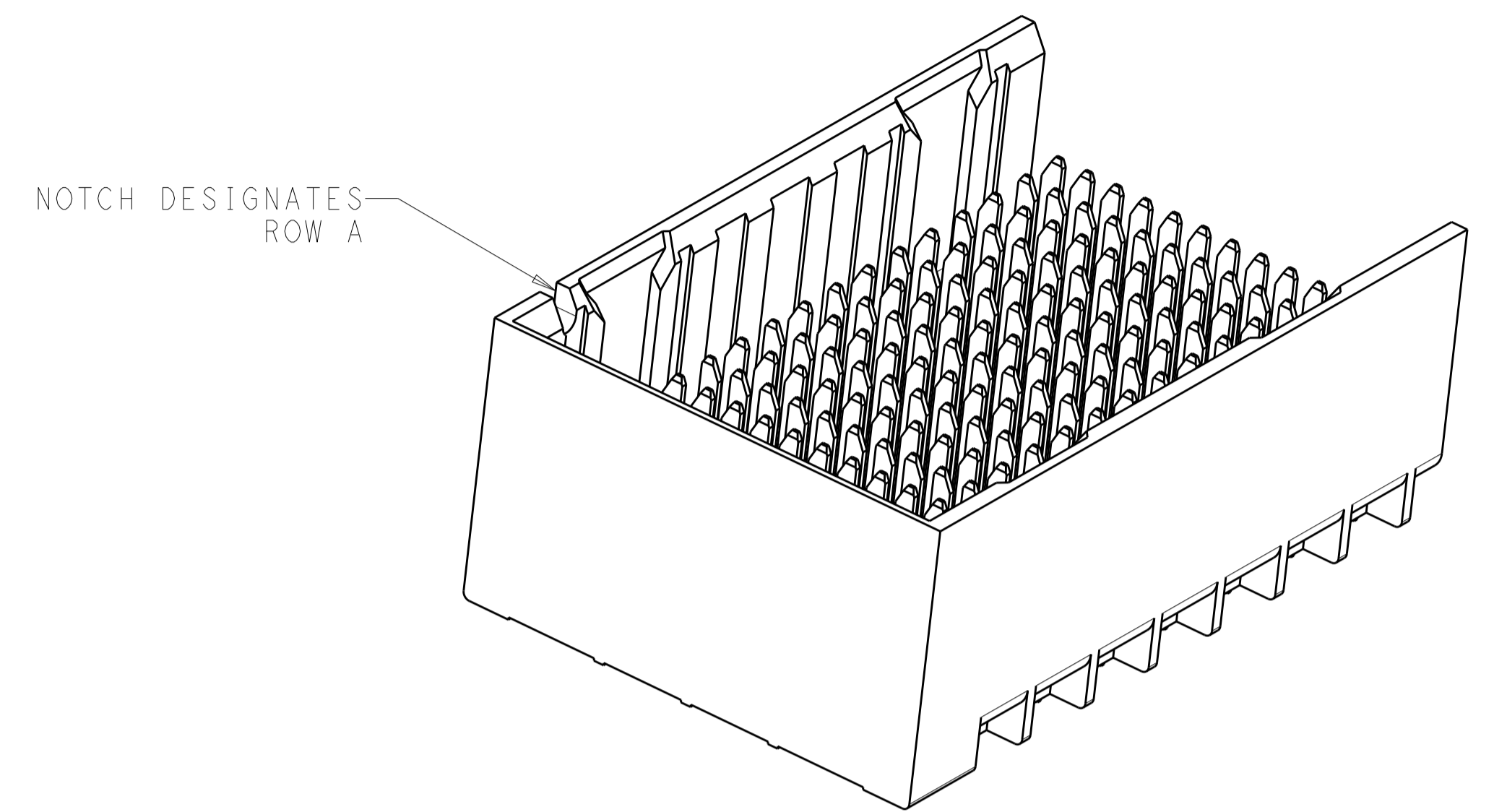
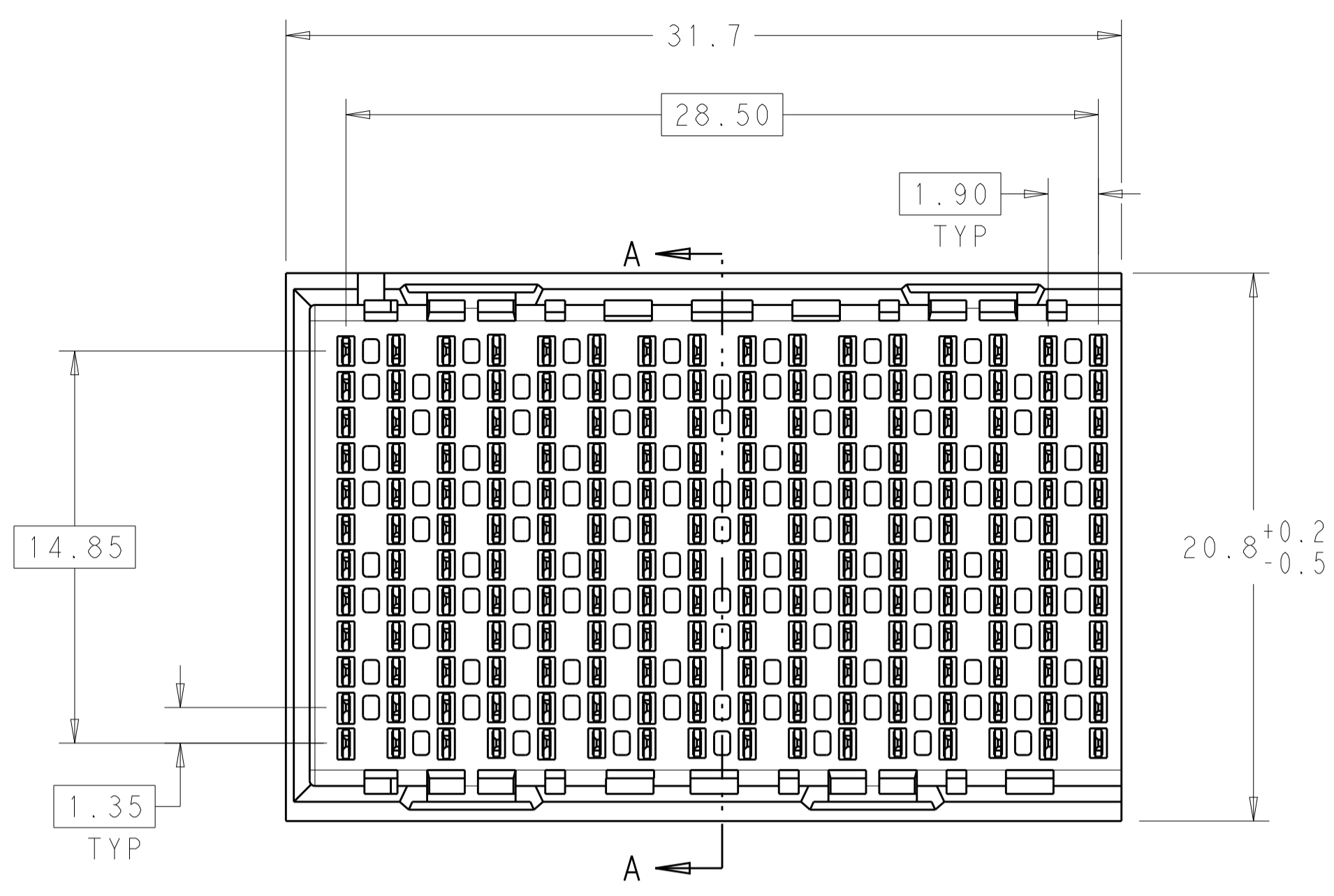


LOC		DIST		REVISIONS			
P	LTN	DESCRIPTION	DATE	DWN	APVD		
A		REVISED PER ECO-15-003242	24MAR2015	AP	DD		



UNGUIDED BACKPLANE HOLE PATTERN (CONNECTOR SIDE)

THIS DRAWING IS A CONTROLLED DOCUMENT.		DWN: B. CARBO 18DEC2012	TE Connectivity
DIMENSIONS: mm		CHK: D. DIXON 18DEC2012	
TOLERANCES UNLESS OTHERWISE SPECIFIED:		APVD: D. DIXON 18DEC2012	NAME: IMPACT 85 OHM, STANDARD 4 PAIR PLUS, 16 COLUMN HEADER, UNGUIDED, LEFT ENDWALL, SIGNAL MODULE
0 PLC	±	PRODUCT SPEC	APPLICATION SPEC
1 PLC	±0.25	SIZE	CAGE CODE
2 PLC	±0.13	WEIGHT	DRAWING NO
3 PLC	±	SCALE	5:1
4 PLC	±	SHEET	1 OF 2
ANGLES	±	REV	A
MATERIAL	SEE TABLE	Customer Drawing	


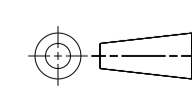
THIS DRAWING IS UNPUBLISHED.	RELEASED FOR PUBLICATION	20
© COPYRIGHT 20	BY -	ALL RIGHTS RESERVED.

LOC	DIST	REVISIONS					
		REV	LTN	DESCRIPTION	DATE	DWN	APVD
AD	00	-	-	SEE SHEET 1	-	-	-

- ① MATERIAL:
HOUSING: LCP, GLASS FILLED, UL94V-0.
TERMINALS: HIGH PERFORMANCE COPPER ALLOY.
- ② FINISH:
30μ" MIN GOLD IN CONTACT AREA. SELECTIVE TIN
ON PCB TAILS, NICKEL OVERALL.
- 3. SCREWS PACKAGED IN END OF PACKAGING TUBE.
- ④ FOR GROUNDED GUIDE PIN USE Ø3.56±0.08 PTH,
Ø3.66 DRILL, AND Ø6.5 PAD.
- 5. KEYING PIN SHOWN IN POSITION A, SEE KEYING CHART
ON SHEET 2 FOR OTHER POSITIONS.

0.46	5.5	2198041-6
0.46	4.9	2198041-5
0.46	4.5	2198041-4
0.39	5.5	2198041-3
0.39	4.9	2198041-2
0.39	4.5	2198041-1
P PLATED THROUGH HOLE SIZE	M POST LENGTH	PART NUMBER

REFER TO WWW.TE.COM
FOR PRODUCT AVAILABILITY

THIS DRAWING IS A CONTROLLED DOCUMENT.		DWN B. CARBO	18DEC2012	 TE Connectivity
		CHK D. DIXON	18DEC2012	
DIMENSIONS:		APVD D. DIXON	18DEC2012	NAME IMPACT, 85 OHM, STANDARD, 4 PAIR PLUS, 16 COLUMN HEADER, UNGUIDED, LEFT ENDWALL, SIGNAL MODULE
TOLERANCES UNLESS OTHERWISE SPECIFIED:		PRODUCT SPEC		
mm	0 PLC ± 1 PLC ±0.25 2 PLC ±0.13 3 PLC ± 4 PLC ±	APPLICATION SPEC		SIZE CAGE CODE DRAWING NO A100779C=2198041
	ANGLES ±	WEIGHT		
MATERIAL -		FINISH SEE TABLE		RESTRICTED TO -
		Customer Drawing		SCALE 5:1 SHEET 2 OF 2 REV A