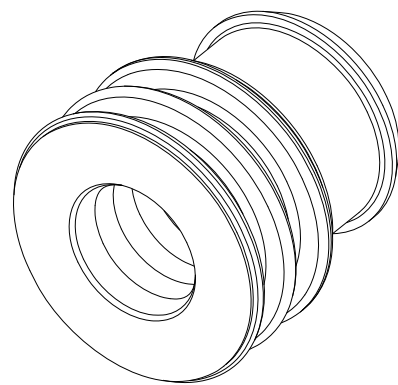
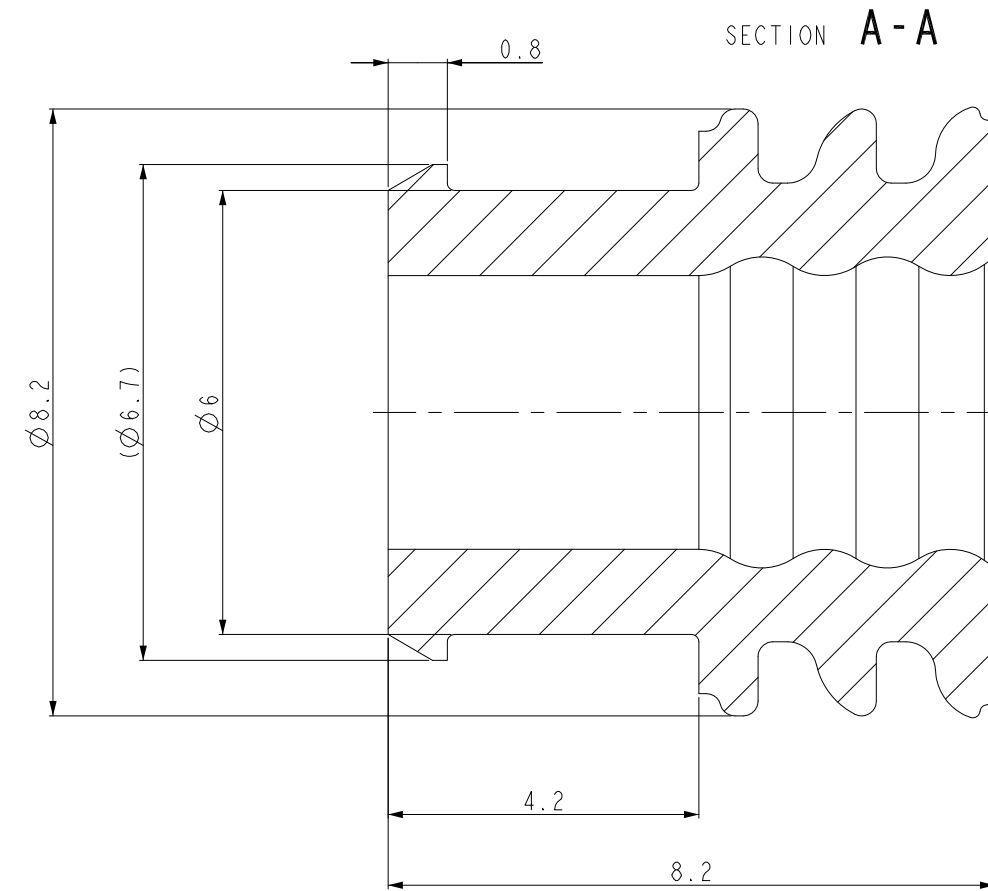
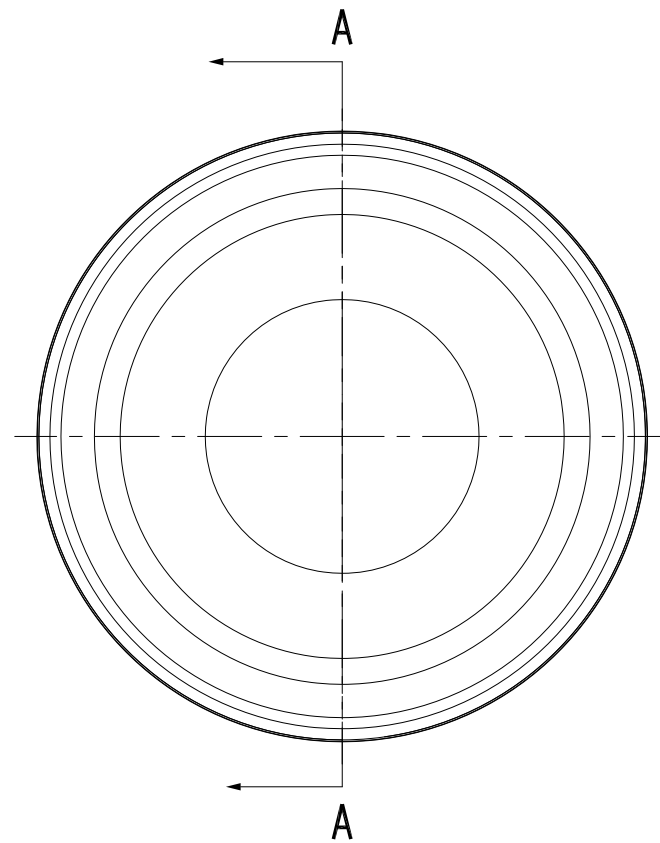


REVISIONS

P	LTR	DESCRIPTION	DATE	DWN	APVD
	A	RELEASED	27. JAN. '14	KT	HG



3D VIEW
SCALE 5:1

NOTES

1. GENERAL TOLERANCE: ± 0.3 , $\pm 3^\circ$
2. SUITABLE FOR WIRE INSULATION DIA.: 4.6-5.0mm

GRAY	SILICONE	SINGLE WIRE SEAL	2188967-3
COLOR	MATERIAL	DESCRIPTION	P/N

THIS DRAWING IS A CONTROLLED DOCUMENT.		DWN KT JUNG		
DIMENSIONS: mm		CHK KT LIM		
		APVD HG CHO	NAME	
TOLERANCES UNLESS OTHERWISE SPECIFIED:		PRODUCT SPEC	SINGLE WIRE SEAL FOR INSULATION DIA: 4.6-5.0MM	
0 PLC	\pm	-	SIZE	RESTRICTED TO
1 PLC	\pm	APPLICATION SPEC	A3	-
2 PLC	\pm	-	CAGE CODE	SCALE
3 PLC	\pm	WEIGHT	00779	10:1
4 PLC	\pm	-	DRAWING NO	SHEET
ANGLES	\pm	CUSTOMER DRAWING	C-2188967	1 OF 1
FINISH	\pm			REV
MATERIAL	SEE TABLE			A