

THIS DRAWING IS UNPUBLISHED.

RELEASED FOR PUBLICATION

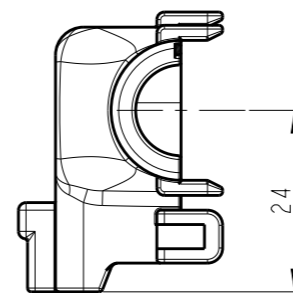
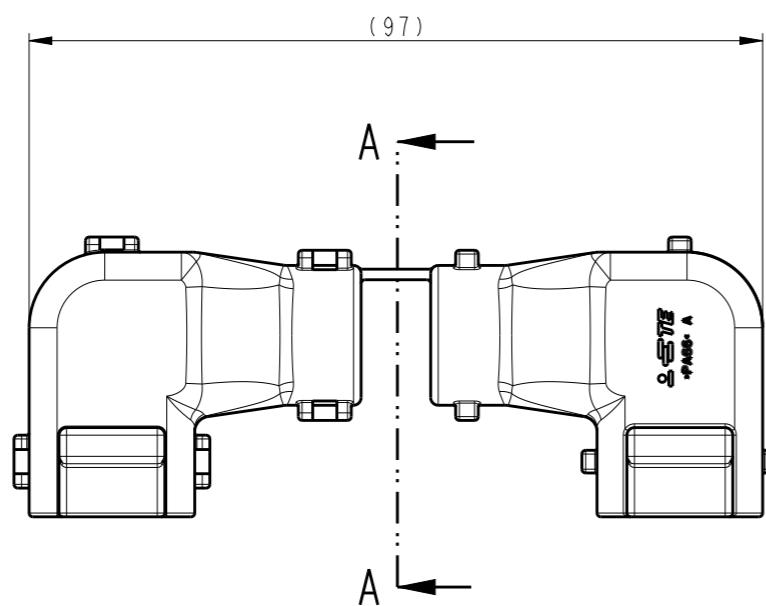
20

© COPYRIGHT 20 BY -

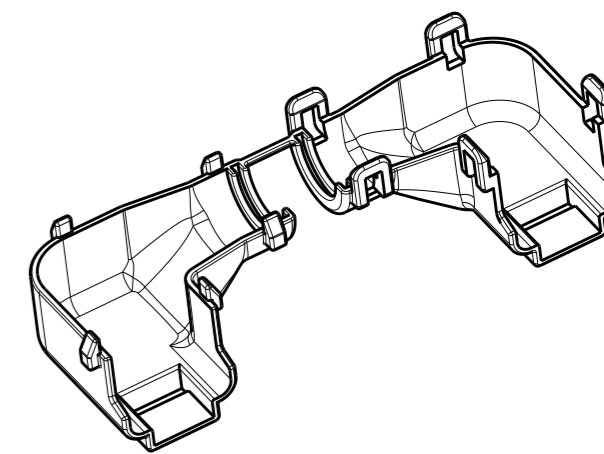
ALL RIGHTS RESERVED.

REVISIONS

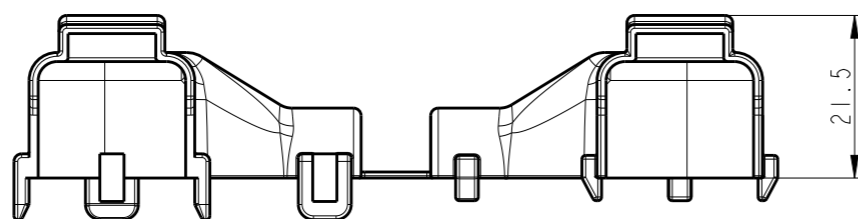
P	LTR	DESCRIPTION	DATE	DWN	APVD
	A	RELEASED	23, MAR, 16	JY	HG



SECTION A-A



ISOMETRIC VIEW

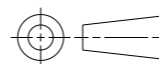


- NOTE
1. GENETAL TOLERANCE : $\pm 0.3 \pm 3^\circ$
 2. APPLICABLE CONNECTOR : X-936777-X
 3. APPLICABLE CORRUGATE TUBE : $\varnothing 11$
 4. APPLICATION TEST SPEC : MS210-06-A2(EXCEPT 4.4)

COLOR	MATERIAL	DESCRIPTION	P/N	REV.
BLACK	PA66	COVER HSG	2188667-2	A

THIS DRAWING IS A CONTROLLED DOCUMENT.

DIMENSIONS:
mm



MATERIAL
SEE TABLE

TOLERANCES UNLESS OTHERWISE SPECIFIED:

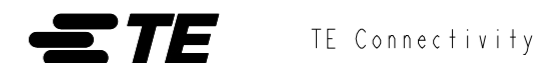
0 PLC	\pm
1 PLC	\pm
2 PLC	\pm
3 PLC	\pm
4 PLC	\pm
ANGLES	\pm
FINISH	

DWN
JY BAE
CHK
YH MA
APVD
KT LIM
PRODUCT SPEC

APPLICATION SPEC

WEIGHT

CUSTOMER DRAWING



NAME
MT11/JPT HYB 20P PLUG COVER
FOR M2xx

SIZE CAGE CODE DRAWING NO RESTRICTED TO

A3 00779 C-2188667

SCALE 1:1 SHEET 1 OF 1 REV A