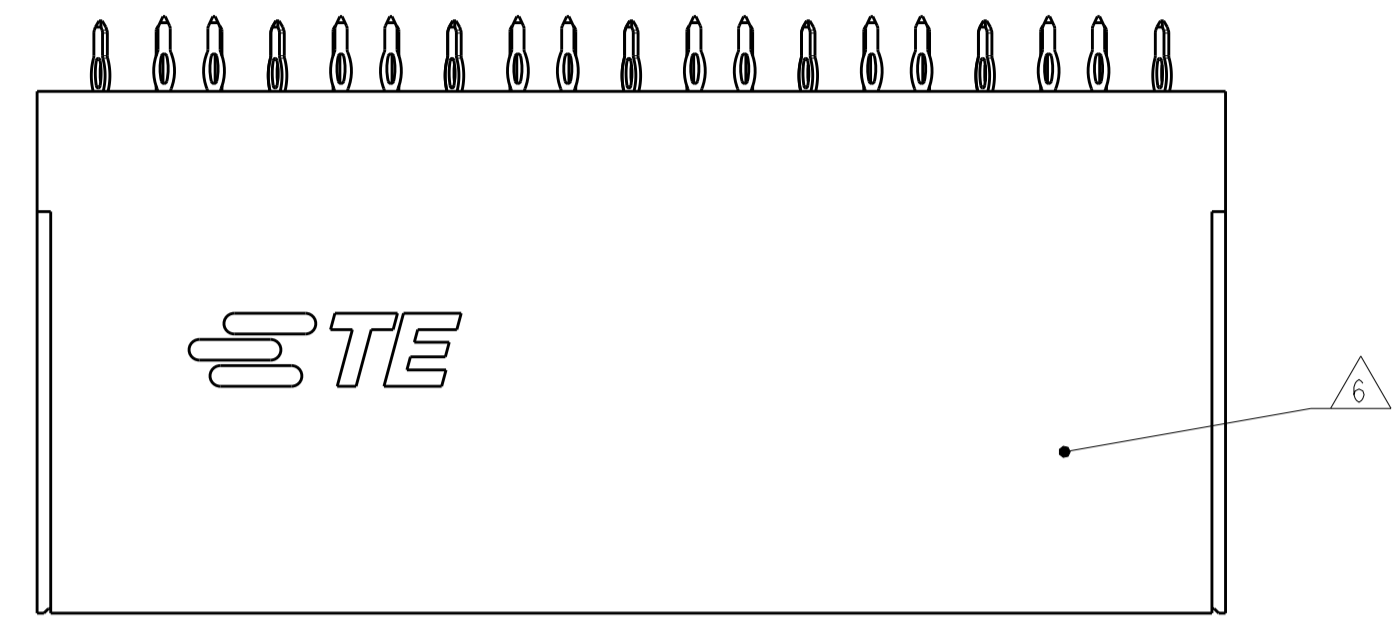
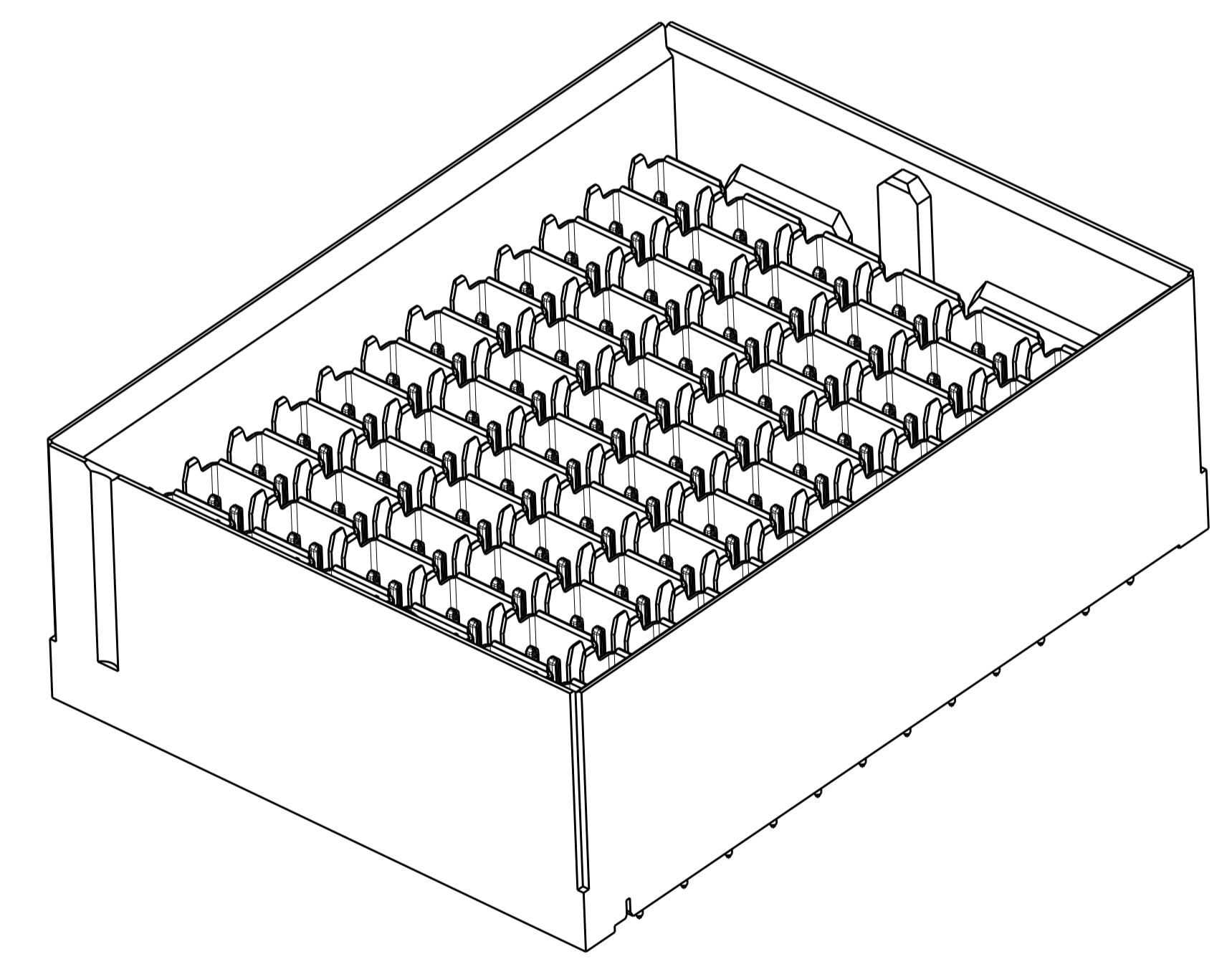
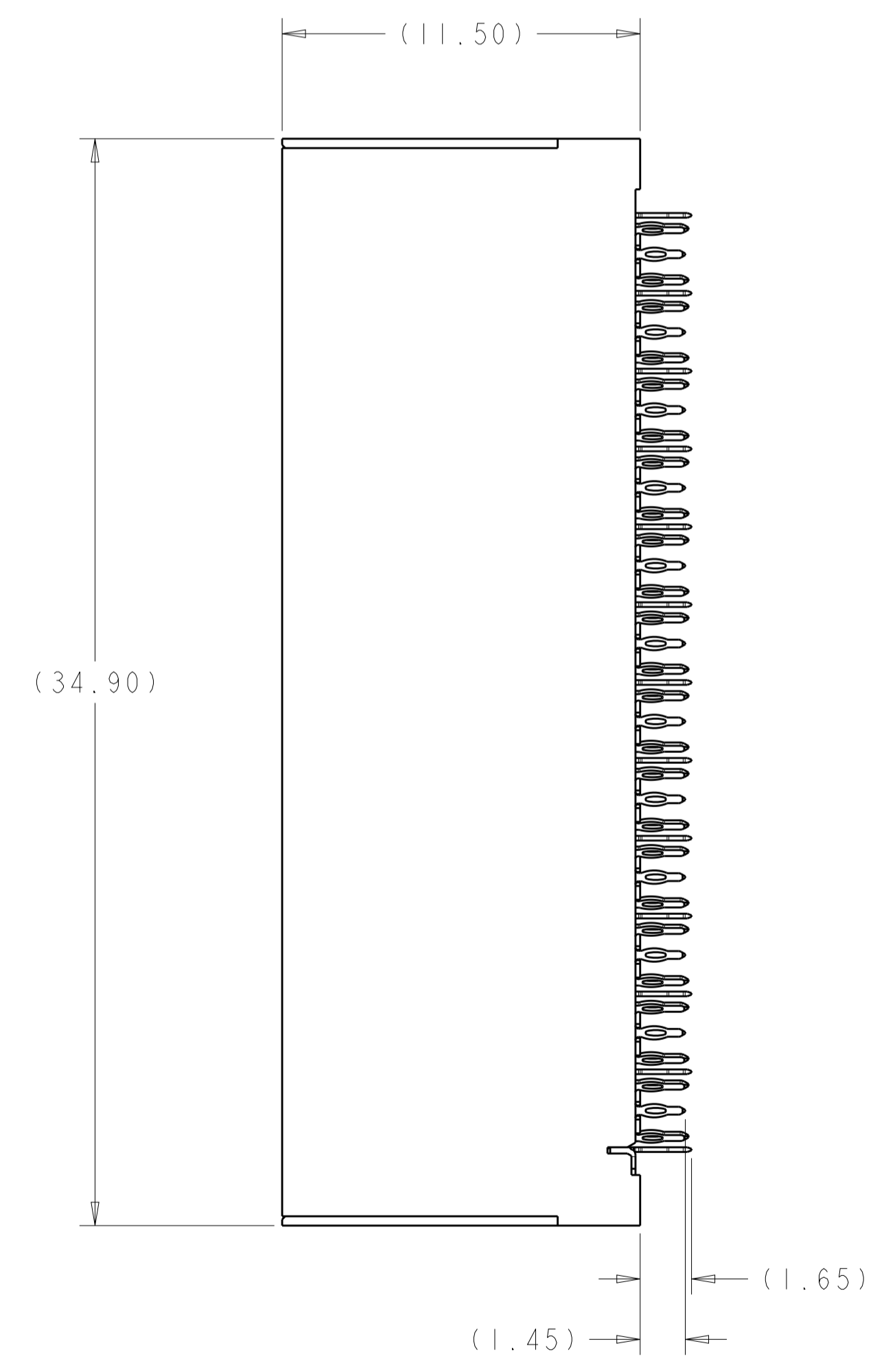
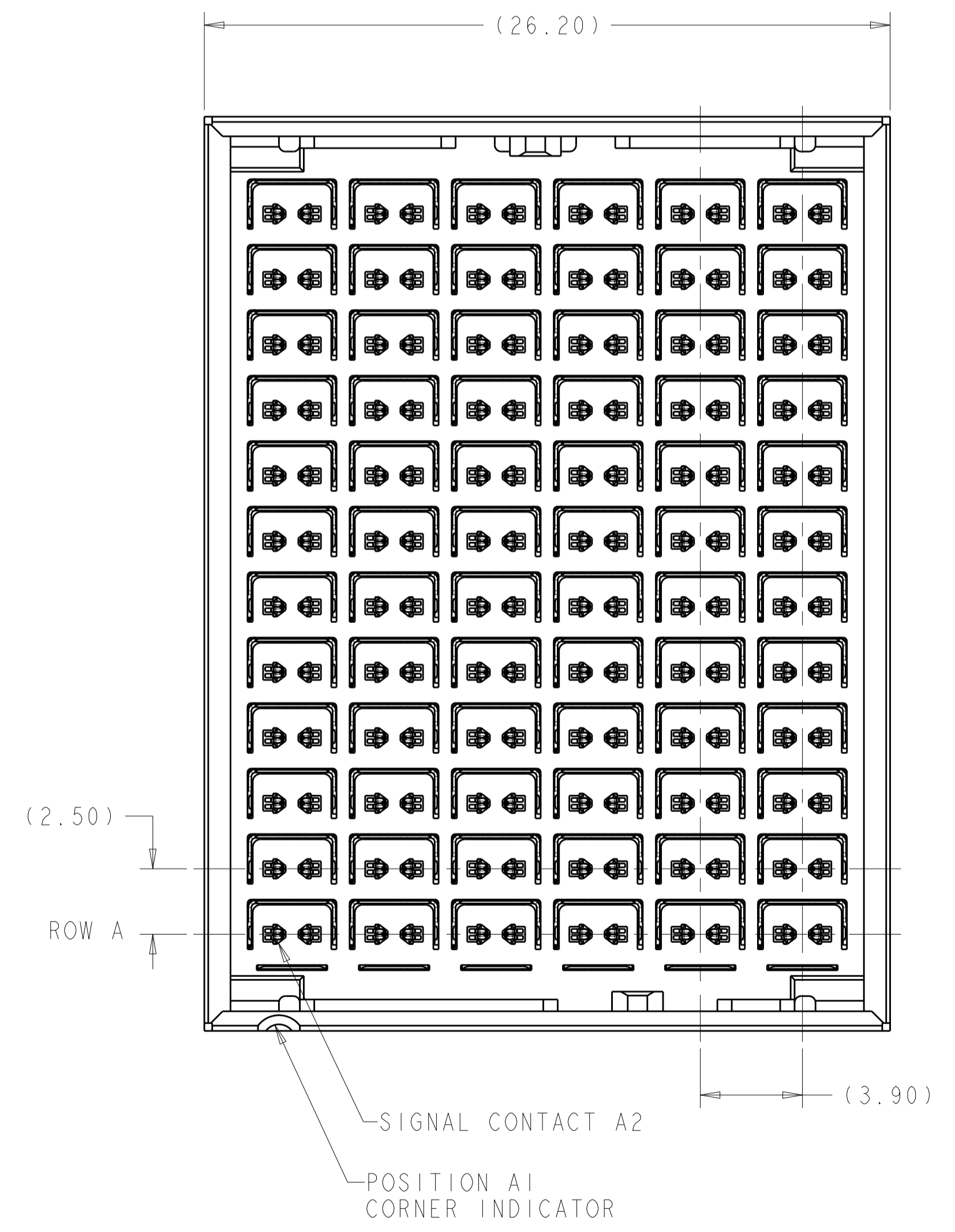


REVISIONS				
P.	LTN	DESCRIPTION	DATE	APVD
B		REVISED PER ECO-19-003447	08MAR2019	AP RP
C		REVISED PER ECO-19-003894	14MAR2019	AP RP
D		REVISED PER ECO-19-004129	18MAR2019	AP RP
E		REVISED PER ECO-19-010713	11JUL2019	MH DS



- △ MATERIAL:
HOUSING: THERMOPLASTIC, UL 94V-0, BLACK
CONTACTS AND SHIELDS: COPPER ALLOY
- △ FINISH:
- CONFORMS TO THE REQUIREMENTS OF TE PRODUCT SPECIFICATION 108-32021 BASED ON TELCORDIA GR-1217-CORE FOR SYSTEM QUALITY LEVEL III, APPLICATIONS IN CONTROLLED ENVIRONMENTS (CENTRAL OFFICE).
- COMPLIANT PIN AREA: 0.5µm MIN MATTE TIN.
- △ SIGNAL PLATED THRU HOLE REQUIREMENTS:
FINISHED HOLE = $\varnothing 0.34 \pm 0.05$
HOLE SIZE PRIOR TO PLATING = $\varnothing 0.420 \pm 0.025$
COPPER THICKNESS = 0.025 MIN
IMMERSION TIN IF APPLICABLE = 0.00095 REF
- △ GROUND AND SI VIA PLATED THRU HOLE REQUIREMENTS:
FINISHED HOLE = $\varnothing 0.37 \pm 0.05$
HOLE SIZE PRIOR TO PLATING = $\varnothing 0.450 \pm 0.025$
COPPER THICKNESS = 0.025 MIN
IMMERSION TIN IF APPLICABLE = 0.00095 REF
- △ PTH DIMENSIONS APPLY TO THE TOP 1.00mm OF THE PCB THICKNESS FROM THE CONNECTOR MOUNTING SIDE.
- △ CONNECTOR MARKED WITH PART NUMBER, DATE CODE, AND "100 OHM" IN APPROXIMATE AREA SHOWN.
- △ DATUMS AND BASIC DIMENSIONS ESTABLISHED BY CUSTOMER.
- △ APPLIES TO FINISHED HOLE DIAMETER.

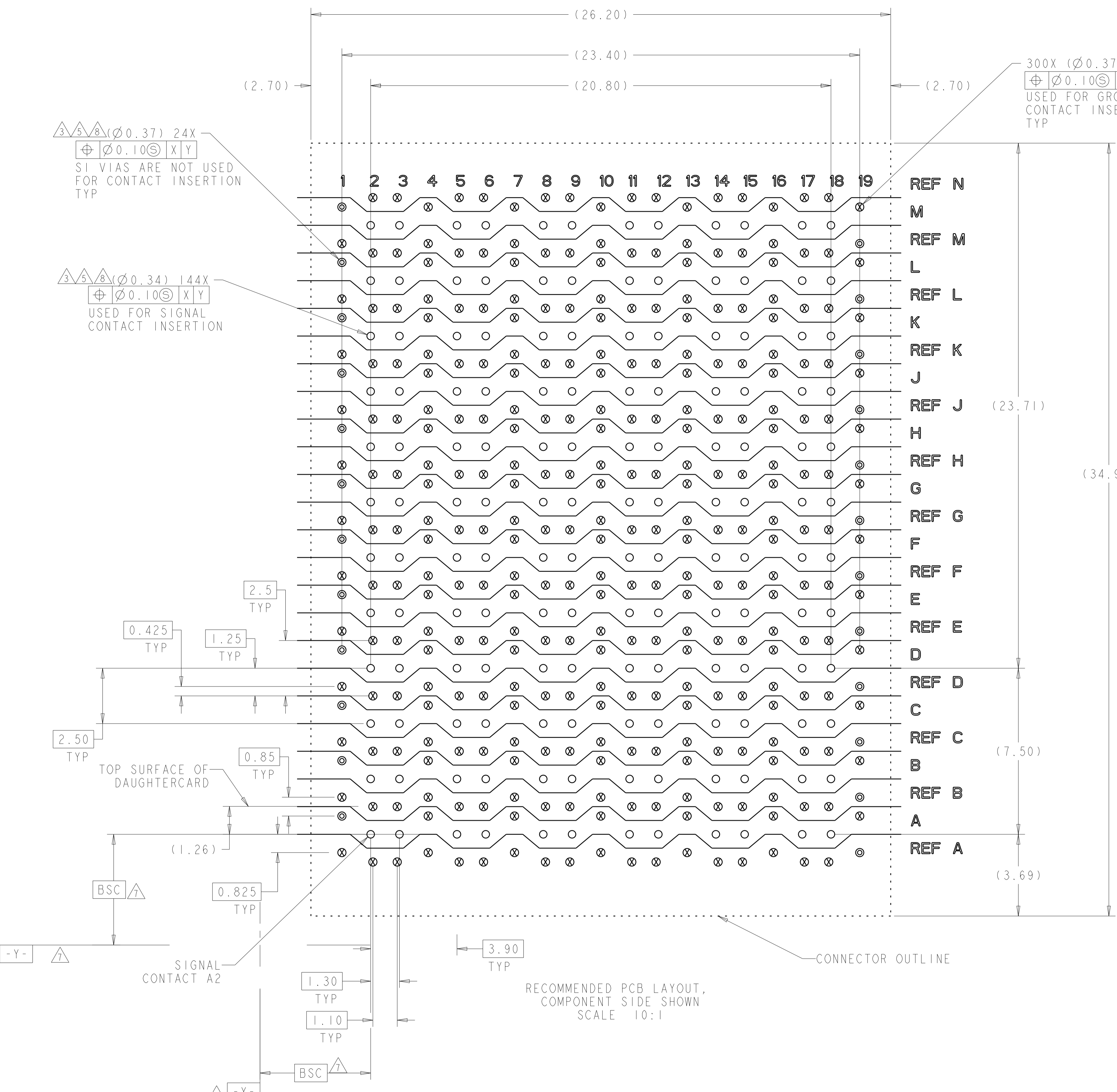


SCALE 5:1

2187544-1
PART NUMBER

THIS DRAWING IS A CONTROLLED DOCUMENT.		OWN: B. MCMASTER 25SEP2014	TE Connectivity
DIMENSIONS: mm		CHK: N. EVANS 25SEP2014	
TOLERANCES UNLESS OTHERWISE SPECIFIED:		APVD: S. FLICKINGER 25SEP2014	NAME: HEADER ASSEMBLY, 12 PAIR, 6 COL, BACKPLANE, 100 OHM, PAIR-IN-ROW, STRADA WHISPER
0 PLC ±		PRODUCT SPEC: 108-32021	
1 PLC ±0.2		APPLICATION SPEC: 114-32029	SIZE: A1
2 PLC ±0.12		WEIGHT: -	CAGE CODE: 2187544
3 PLC ±		CUSTOMER DRAWING	SCALE: 6:1
4 PLC ±			SHEET 1 OF 2
ANGLES ±			REV E
FINISH			

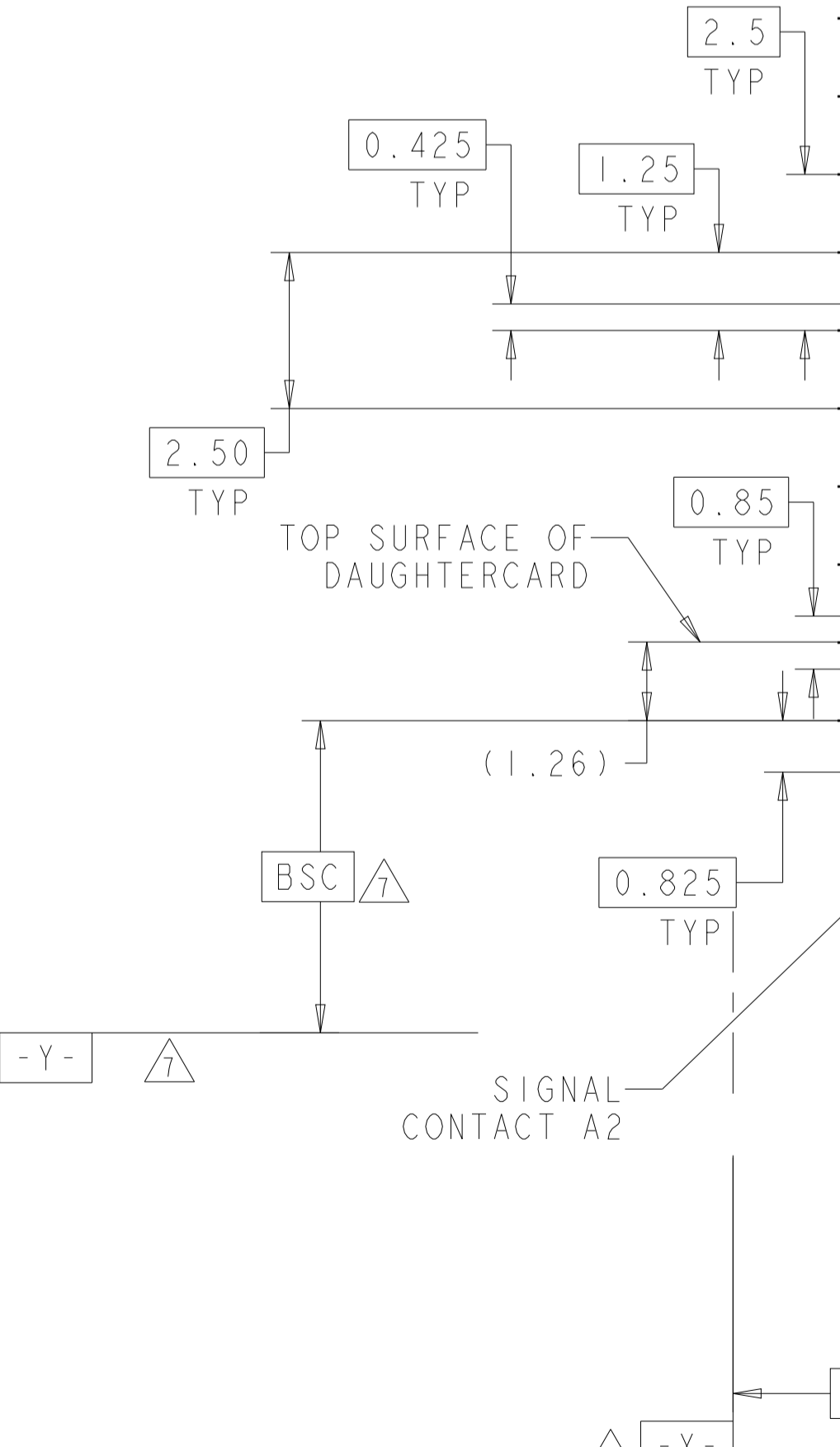
REVISIONS				
P.	LTN	DESCRIPTION	DATE	APVD
-	-	SEE SHEET 1	-	-



3 5 8 (Ø0.37) 24X
 USED FOR GROUND CONTACT INSERTION TYP

3 5 8 (Ø0.34) 144X
 USED FOR SIGNAL CONTACT INSERTION

300X (Ø0.37) 4 5 8
 USED FOR GROUND CONTACT INSERTION TYP



RECOMMENDED PCB LAYOUT,
 COMPONENT SIDE SHOWN
 SCALE 10:1

- = SIGNAL
- ⊗ = GROUND
- ⊙ = SIGNAL INTEGRITY VIA TO GROUND

THIS DRAWING IS A CONTROLLED DOCUMENT.		DWN B. MCMASTER 25SEP2014 CHN N. EVANS 25SEP2014 APVD S. FLICKINGER 25SEP2014	TE Connectivity
DIMENSIONS: mm TOLERANCES UNLESS OTHERWISE SPECIFIED: 0 PLC ± 1 PLC ±0.2 2 PLC ±0.12 3 PLC ± 4 PLC ± ANGLES ±		NAME: HEADER ASSEMBLY, 12 PAIR, 6 COL, BACKPLANE, 100 OHM, PAIR-IN-ROW, STRADA WHISPER PRODUCT SPEC: 108-32021 APPLICATION SPEC: 114-32029 WEIGHT:	
MATERIAL: FINISH:		SIZE: A1 CAGE CODE: 00779 DRAWING NO: C=2187544	RESTRICTED TO: - SCALE: 4:1 SHEET: 2 OF 2 REV: E