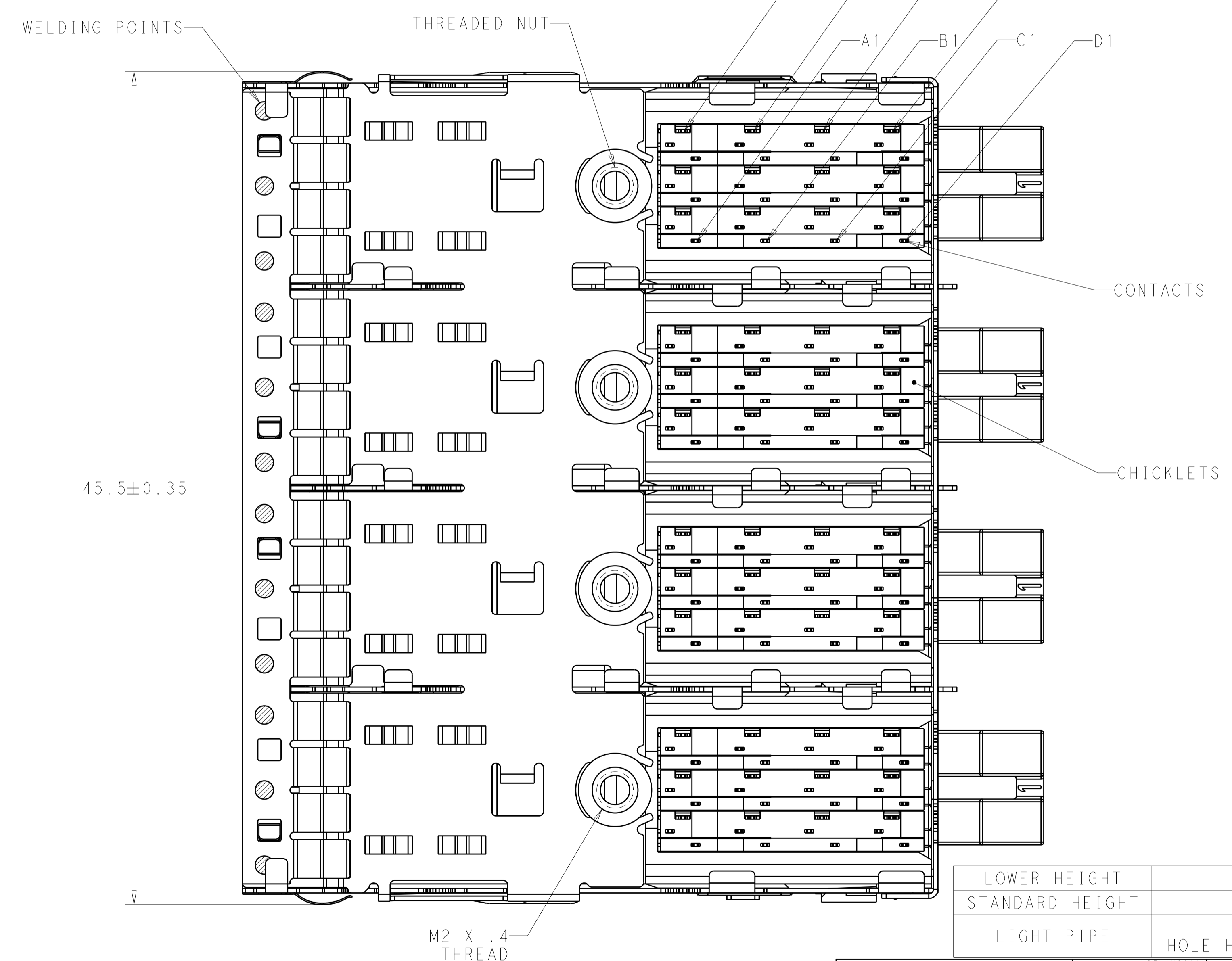
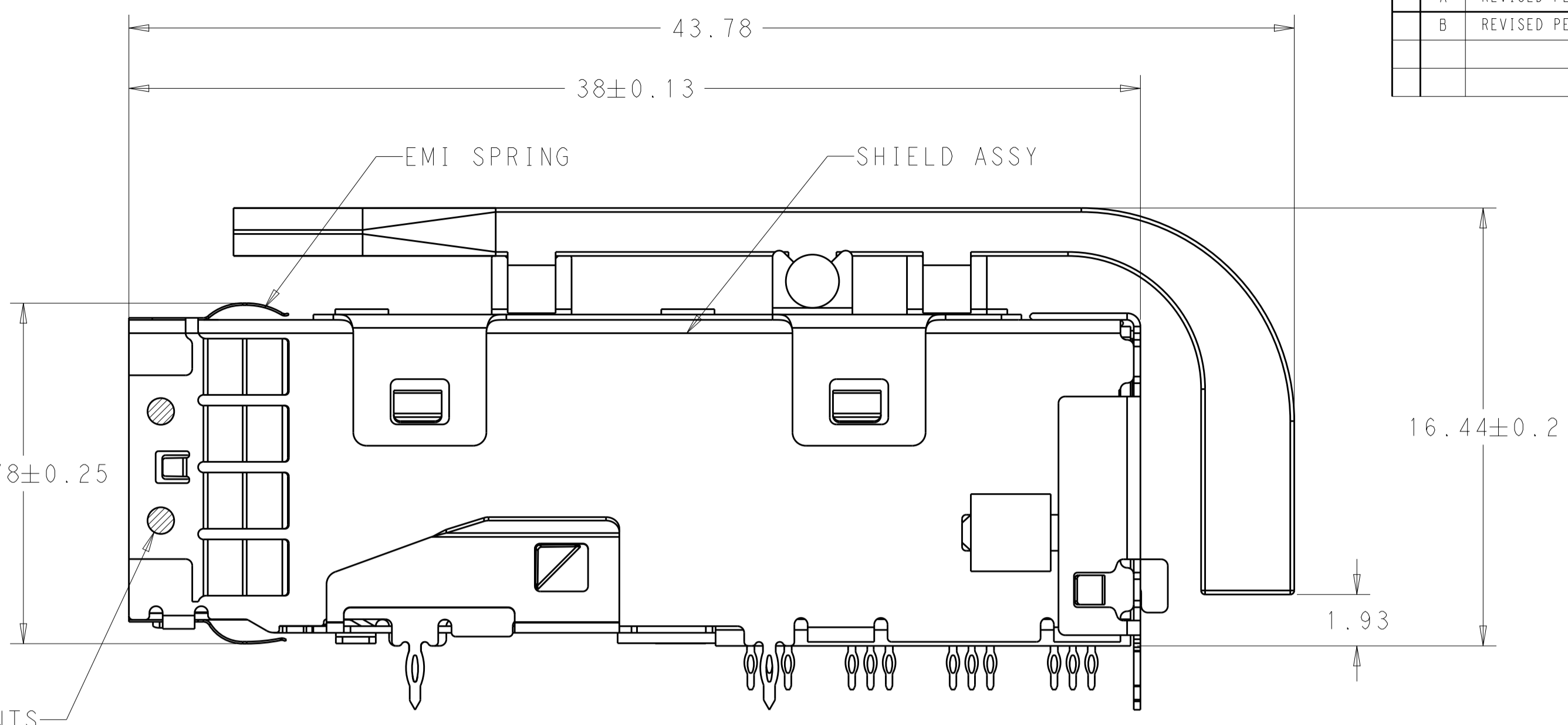
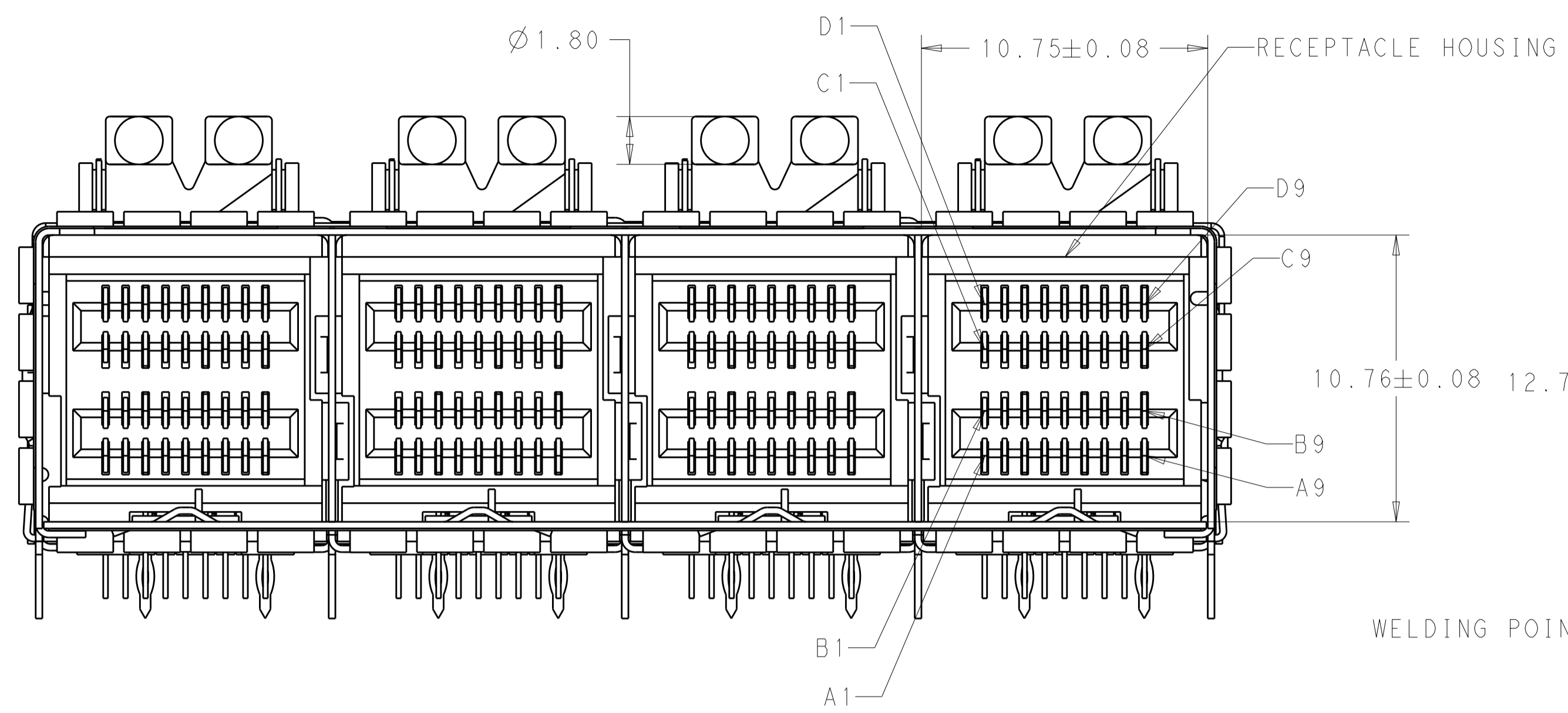


LOC		DIST		REVISIONS			
P	LTN	DESCRIPTION	DATE	DWN	APVD		
A		REVISED PER ECO-14-018497	17DEC2014	AP	DG		
B		REVISED PER ECO-15-013876	19JUN2016	JY	SH		



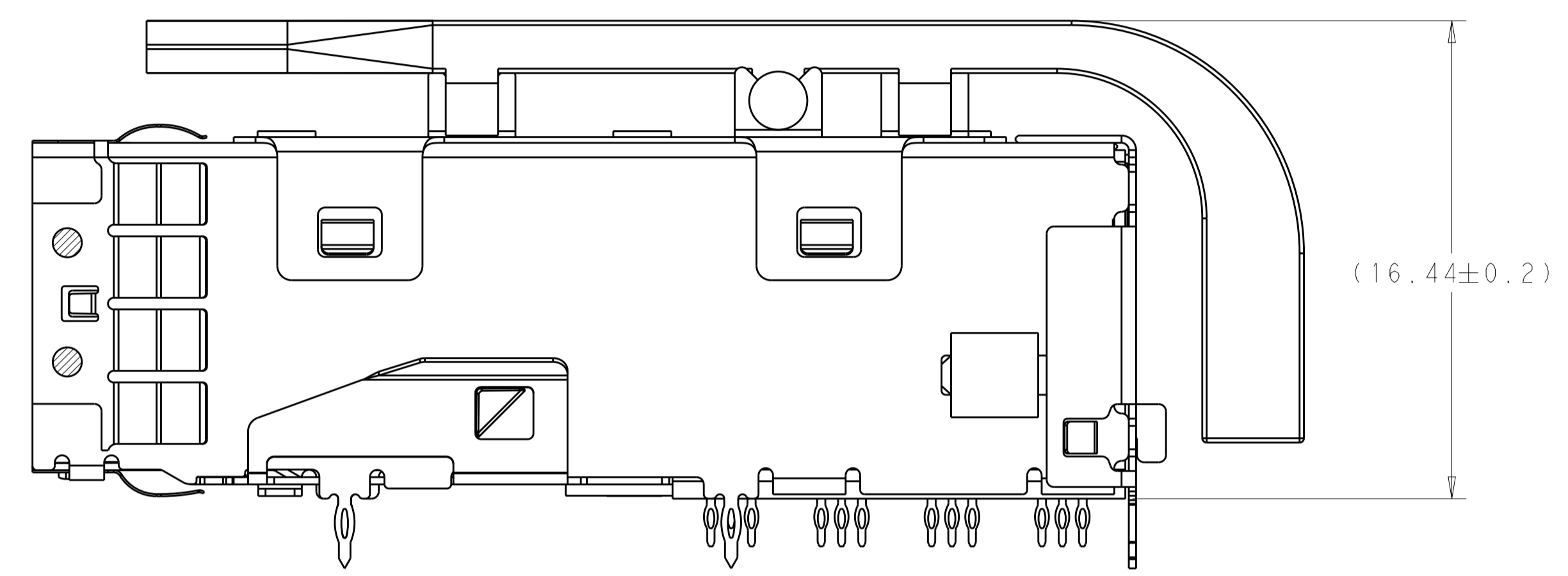
- MATERIALS**
 RECEPTACLE HOUSING: LCP, BLACK, UL94V-0 RATED
 SHIELD ASSY: NICKEL-SILVER COPPER ALLOY
 CONTACTS: COPPER ALLOY
 EMI SPRING: COPPER ALLOY
 THREADED NUT: BRASS
 CHICKLETS: LCP, BLACK, UL 94V-0 RATED
 LIGHTPIPE CLIP: STAINLESS STEEL
 LIGHTPIPE: POLYCARBONATE
 - FINISH**
 EMI SPRING: TIN PLATE OVER NICKEL PLATE
 NON-PLATED EDGES PERMISSABLE
 THREADED NUT: NICKEL PLATE
- △ CONTACT FINISH: CONFORMS TO THE REQUIREMENTS OF TE PRODUCT SPECIFICATION, 108-2462. BASED ON EIA/ECA-364-1000.01A. (CONTROLLED ENVIRONMENT APPLICATIONS) ON MATING END. TIN PLATED ON PCB TAIL
4. THREAD LENGTH OF FASTENER = PCB THICKNESS+1.45 MAX
- △ RECOMMENDED TRACE KEEP OUT ZONE

LOWER HEIGHT	14.53	2180736-2
STANDARD HEIGHT	15.54	2180736-1
LIGHT PIPE	H HOLE HIGHT OF LP	PART NUMBER

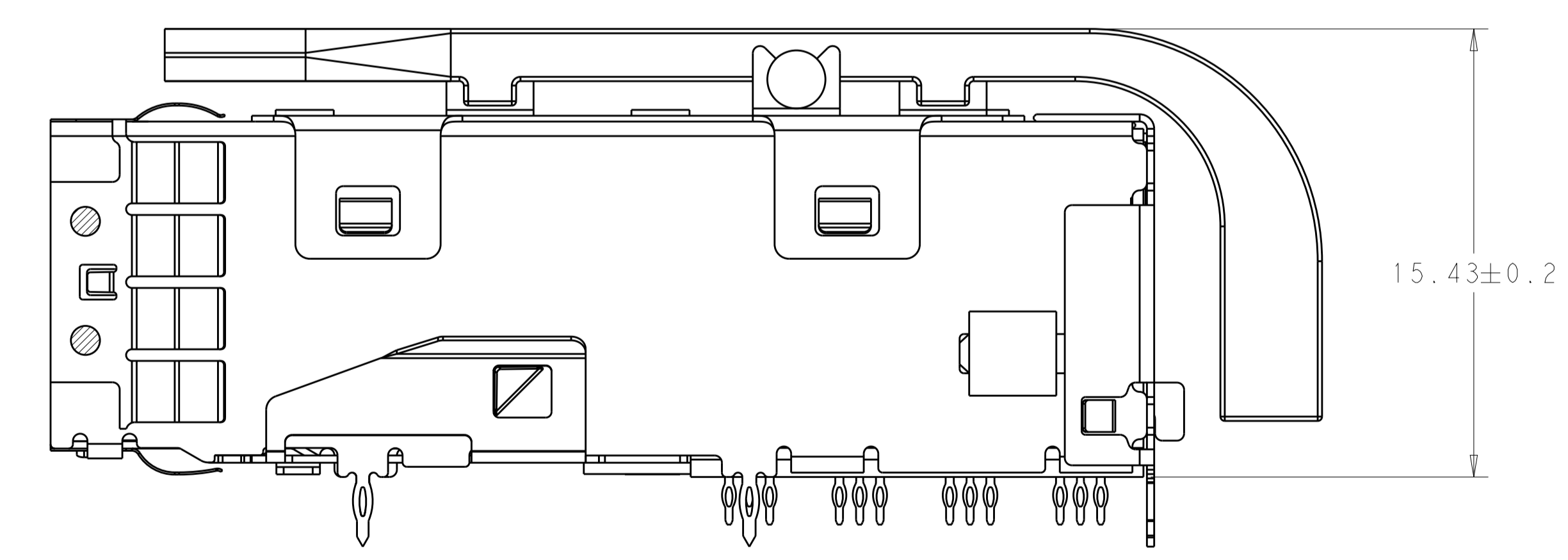
THIS DRAWING IS A CONTROLLED DOCUMENT.		DWN P. KERLIN CHK J. SECHRIST	25MAY2011 25MAY2011		
DIMENSIONS:	TOLERANCES UNLESS OTHERWISE SPECIFIED:	APVD		NAME	
mm	0 PLC ± 1 PLC ±0.25 2 PLC ±0.13 3 PLC ± 4 PLC ± ANGLES ±	PRODUCT SPEC		RECEPTACLE ASSEMBLY, MINI-SAS HD, 4X W/ LIGHT PIPES	
MATERIAL	FINISH	APPLICATION SPEC		RESTRICTED TO	
		114-13316		SIZE CAGE CODE DRAWING NO	
		WEIGHT		A100779C=2180736	
		CUSTOMER DRAWING		SCALE 6:1 SHEET 1 OF 4 REV B	

2180736-1 AS SHOWN

LOC	DIST	REVISIONS			
P.	LTH	DESCRIPTION	DATE	DWN	APVD
-	-	SEE SHEET 1	-	-	-



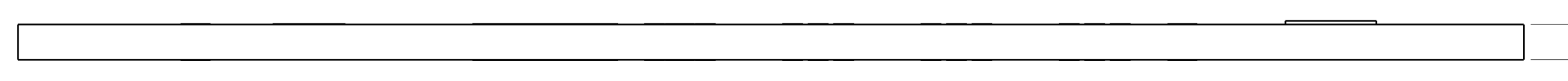
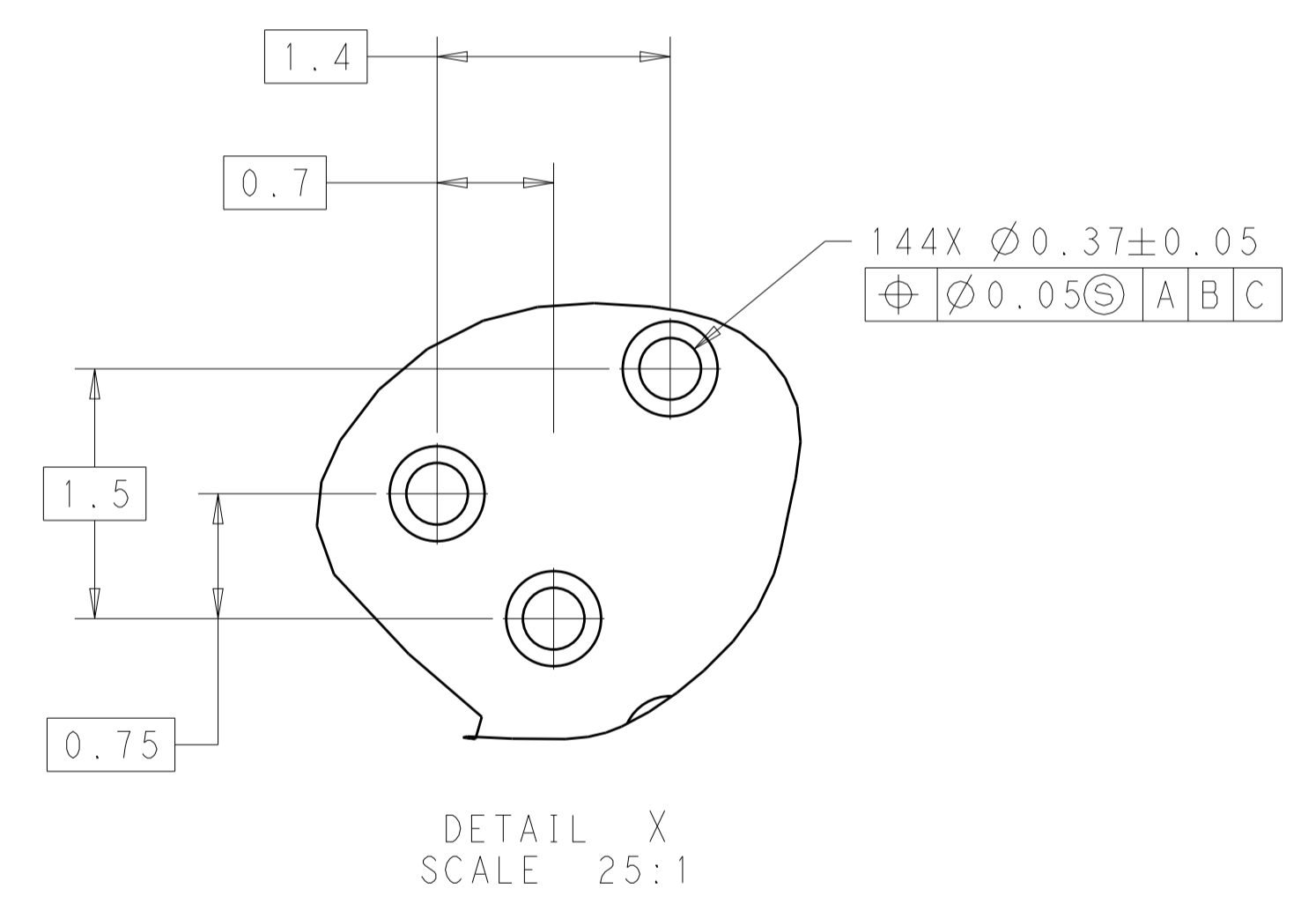
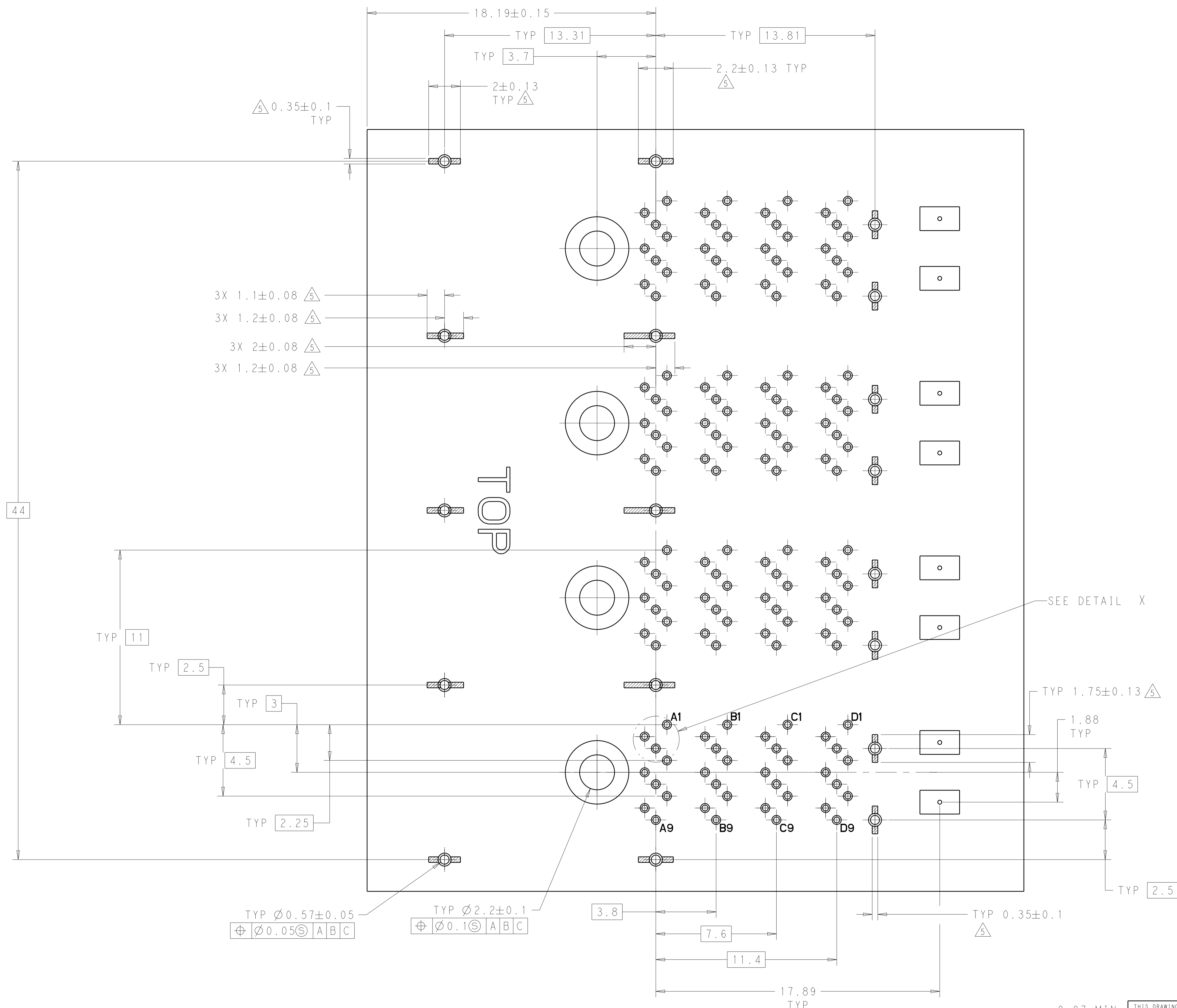
2180736-1 AS SHOWN
SCALE 6:1



2180736-2 AS SHOWN
UNSPECIFIED DIMENSOSNS ARE ASME AS 2180736-1
SCALE 6:1

THIS DRAWING IS A CONTROLLED DOCUMENT.		DWN P. KERLIN 25MAY2011	
		CHK J. SECHRIST 25MAY2011	
DIMENSIONS:		NAME RECEPTACLE ASSEMBLY, MINI-SAS HD, 4X W/ LIGHT PIPES	
mm	TOLERANCES UNLESS OTHERWISE SPECIFIED:	PRODUCT SPEC 108-2462	RESTRICTED TO
	0 PLC ±	APPLICATION SPEC 114-13316	SIZE CAGE CODE DRAWING NO
	1 PLC ±0.25	WEIGHT	A100779C=2180736
	2 PLC ±0.13	Customer Drawing	SCALE 6:1 SHEET 2 OF 4 REV B
	3 PLC ±		
	4 PLC ±		
	ANGLES ±		
	FINISH		

LOC		DIST		REVISIONS			
P.	LTN	DESCRIPTION	DATE	DMN	APVD		
-	-	SEE SHEET 1	-	-	-		

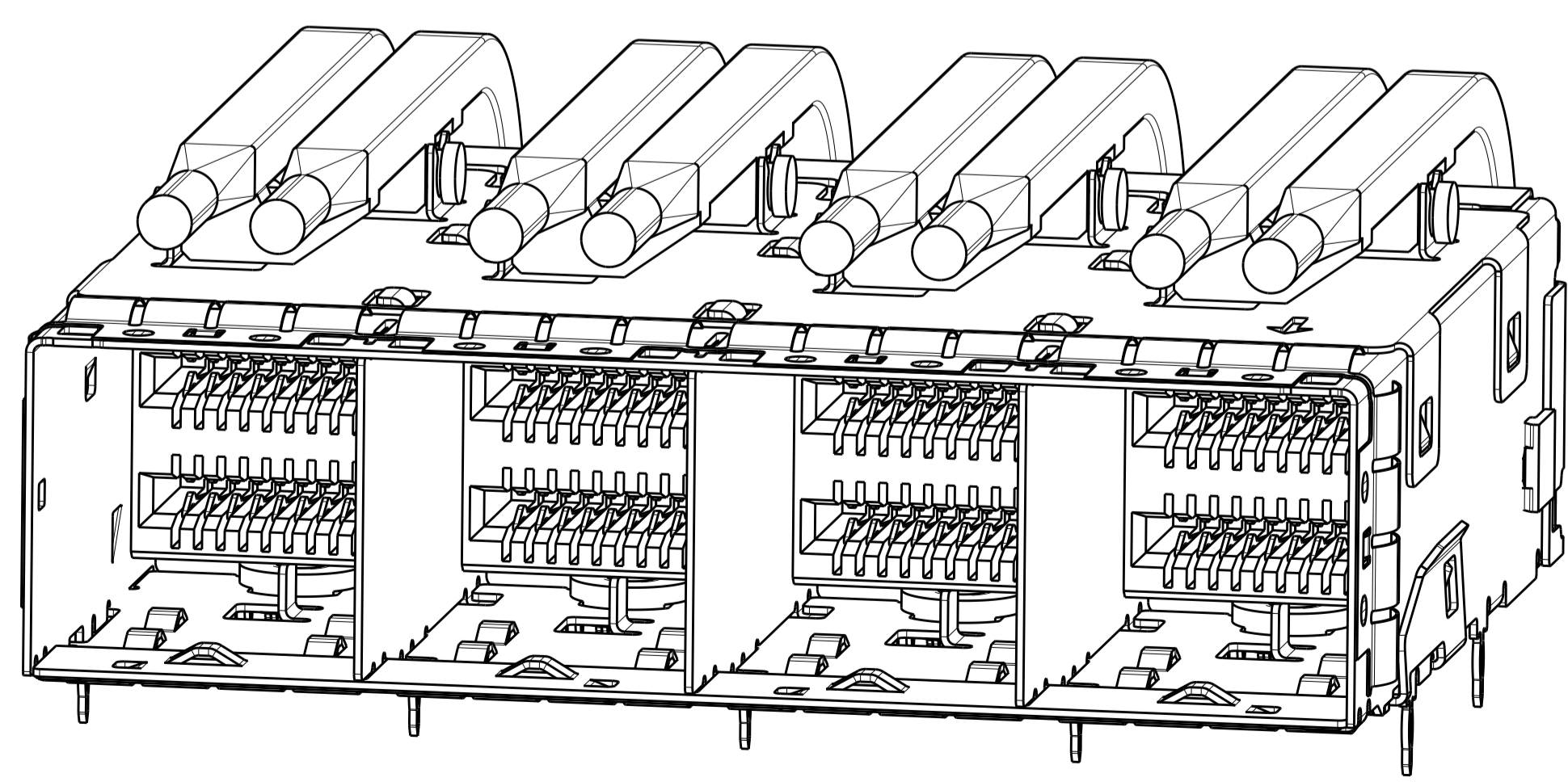
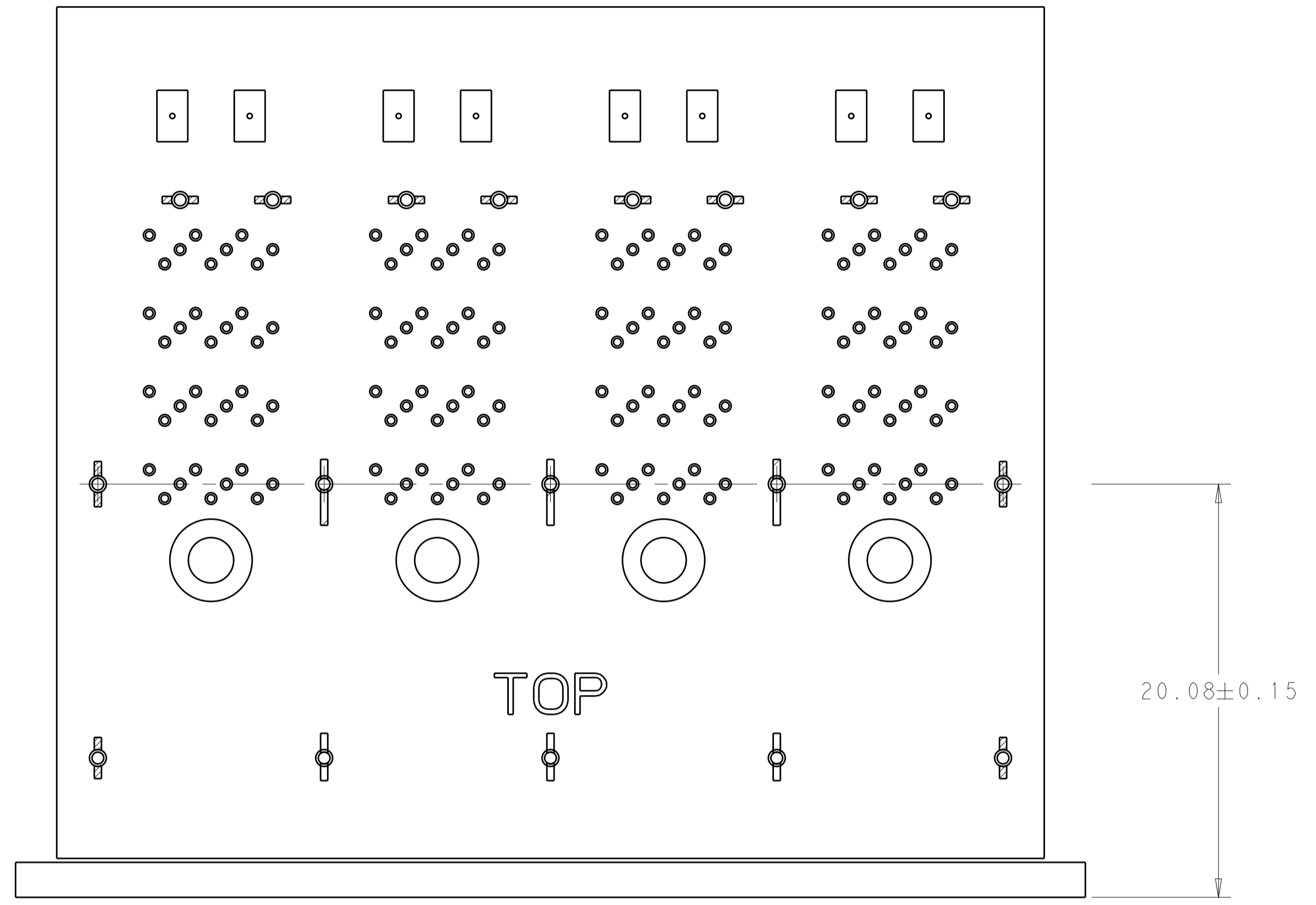
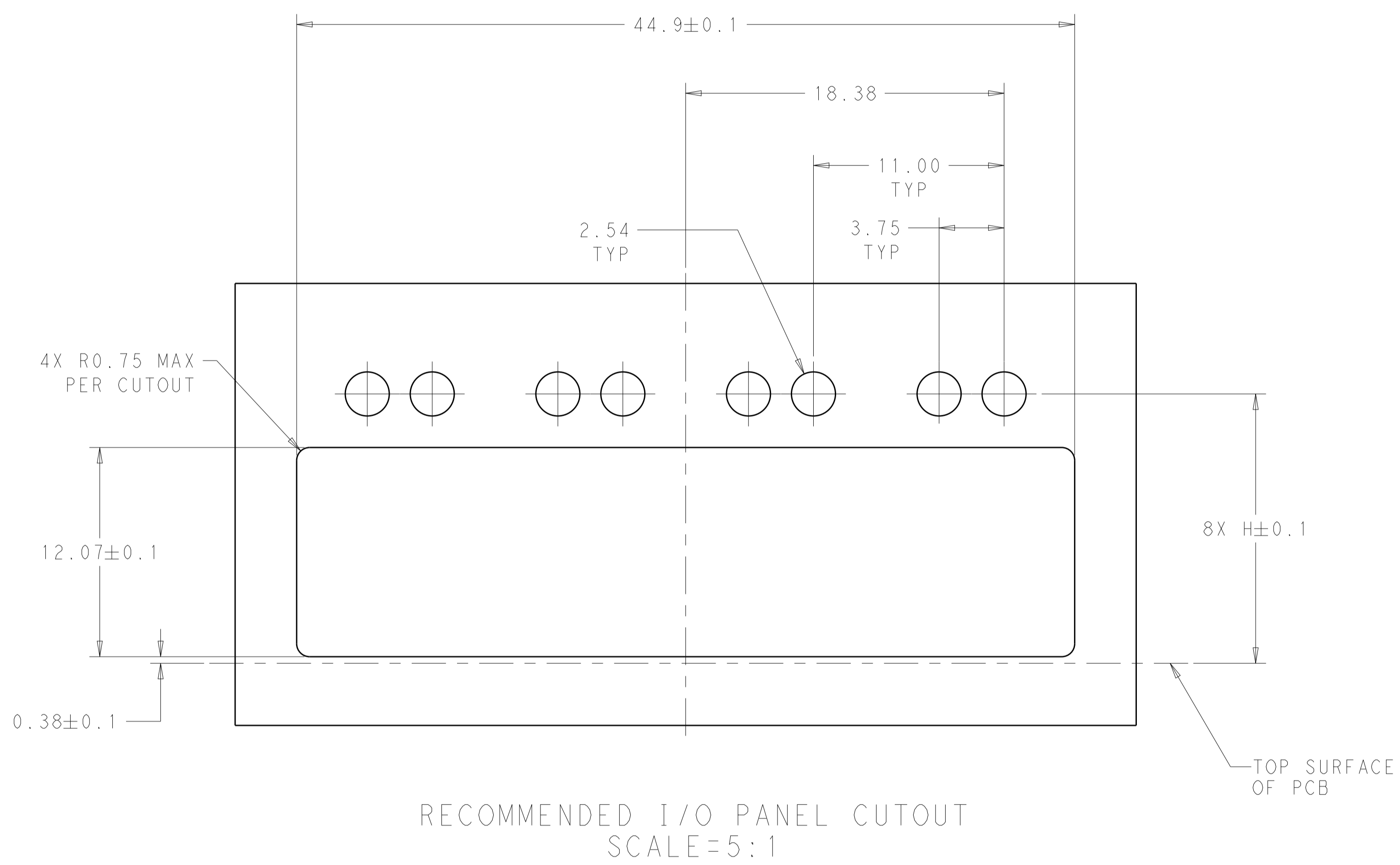


RECOMMENDED PCB LAYOUT

THIS DRAWING IS A CONTROLLED DOCUMENT.		DMN P. KERLIN 25MAY2011	TE Connectivity
DIMENSIONS: mm		CHK J. SECHRIST 25MAY2011	
TOLERANCES UNLESS OTHERWISE SPECIFIED:		APVD -	NAME RECEPTACLE ASSEMBLY, MINI-SAS HD, 4X W/ LIGHT PIPES
0 PLC ±0.25	1 PLC ±0.13	PRODUCT SPEC 108-2462	SIZE CAGE CODE DRAWING NO. RESTRICTED TO
2 PLC ±0.13	3 PLC ±0.13	APPLICATION SPEC 114-13316	A100779C=2180736
4 PLC ±0.13	ANGLES ±0.13	WEIGHT -	SCALE 5:1 SHEET 3 OF 4 REV B
MATERIAL -	FINISH -	Customer Drawing	

LOC	DIST	REV	DATE	BY	CHKD	APVD
		1				

REVISIONS		DATE	BY	CHKD	APVD
1	SEE SHEET 1				



THIS DRAWING IS A CONTROLLED DOCUMENT.		OWN P. KERLIN 25MAY2011	
		CHK J. SECHRIST 25MAY2011	
DIMENSIONS:	TOLERANCES UNLESS OTHERWISE SPECIFIED:	APVD	NAME
mm	0 PLC ±	PRODUCT SPEC	RECEPTACLE ASSEMBLY,
	1 PLC ±0.25	108-2462	MINI-SAS HD, 4X
	2 PLC ±0.13	APPLICATION SPEC	W/ LIGHT PIPES
	3 PLC ±	SIZE CAGE CODE DRAWING NO	RESTRICTED TO
	4 PLC ±	114-13316	A100779C=2180736
	ANGLES ±	WEIGHT	
MATERIAL	FINISH	Customer Drawing	SCALE 5:1 SHEET 4 OF 4 REV B