

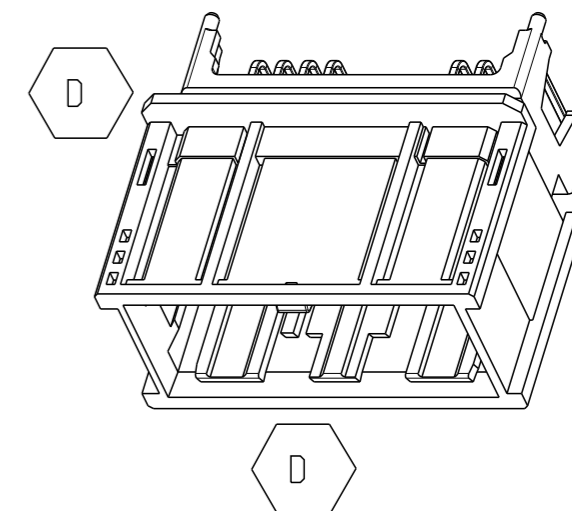
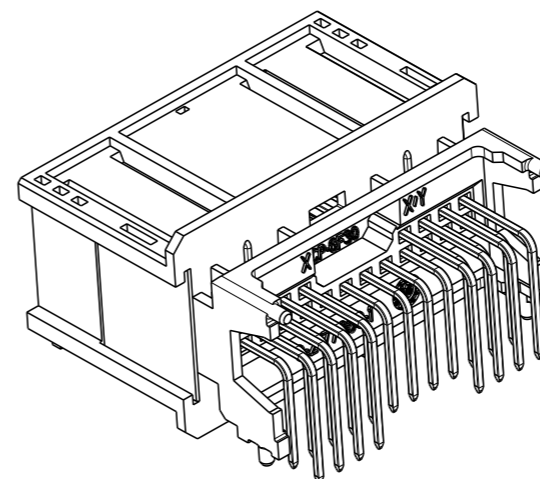
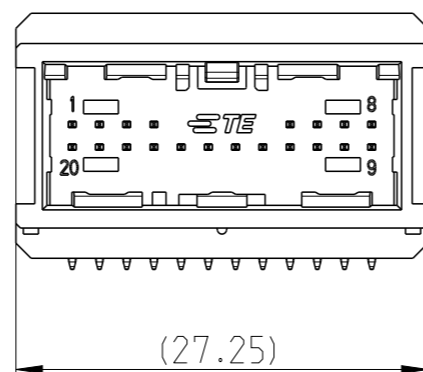
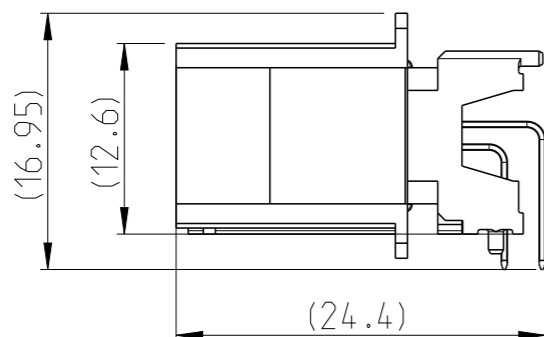
LOC  
A1

DIST  
-


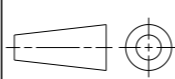
REVISIONS

| P  | LTR | DESCRIPTION                              | DATE      | DWN  | APVD |
|----|-----|--|-----------|------|------|
| B  |     | INTERFACE UPDATED                        | 12JUN2012 | N.L. | N.L. |
| C  |     | pin cavity change, side wall thickening  | 13NOV2015 | Beck | Beck |
| C1 |     | CAD model adapted to real part           | 02AUG2016 | BREN | BECK |
| D  |     | add small rib and modification on coding | 10NOV2017 | HO.  | BECK |

**FOR ANY PRODUCT AND SAMPELING  
RELEVANT REQUIREMENT PLEASE REFER TO:  
(C)-114-94160  
"PLATFORM PRODUCT DRAWING, HEADERS  
FOR NANO-MQS MARKET SERIES"**



**FOR EXAMPLE SHOWN IS  
0-2177367-1**

|   |  |                              |   |            |                    |                         |                    |
|---|--|------------------------------|---|------------|--------------------|-------------------------|--------------------|
| THIS DRAWING IS A CONTROLLED DOCUMENT.  |  | DWN<br>NEUEBRT, I. 22DEC2011 |  TE Connectivity |            |                    |                         |                    |
| DIMENSIONS:<br>mm   |  | CHK<br>FRANK, O. 22DEC2011   |   |            |                    |                         |                    |
| TOLERANCES UNLESS OTHERWISE SPECIFIED:  |  | APVD<br>SPIELVOGEL, M. -     | NAME<br>20POS, TAB 0.5X0.4, HEADER ASSY<br>90 DEG. THT  |            |                    |                         |                    |
|  |  | PRODUCT SPEC<br>-            | APPLICATION SPEC<br>-   |            |                    |                         |                    |
| MATERIAL<br>-   |  | FINISH<br>-                  | WEIGHT<br>-   | SIZE<br>A3 | CAGE CODE<br>00779 | DRAWING NO<br>C=2177367 | RESTRICTED TO<br>- |
| CUSTOMER DRAWING  |  |                              | SCALE<br>2:1  | SHEET<br>1 | OF<br>1            | REV<br>D                |                    |