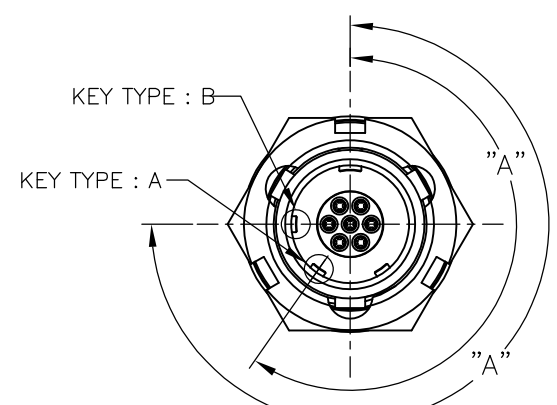
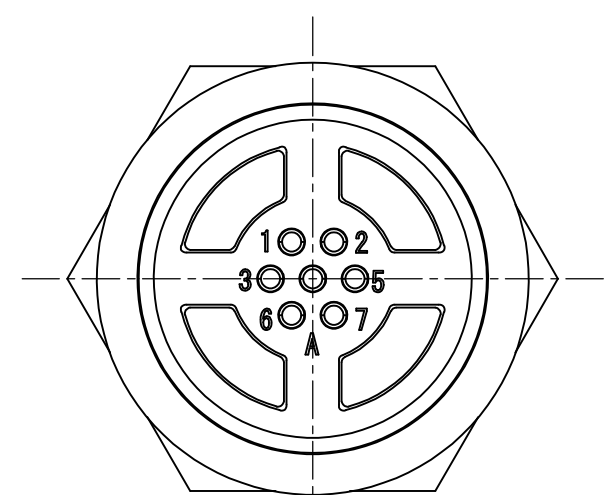
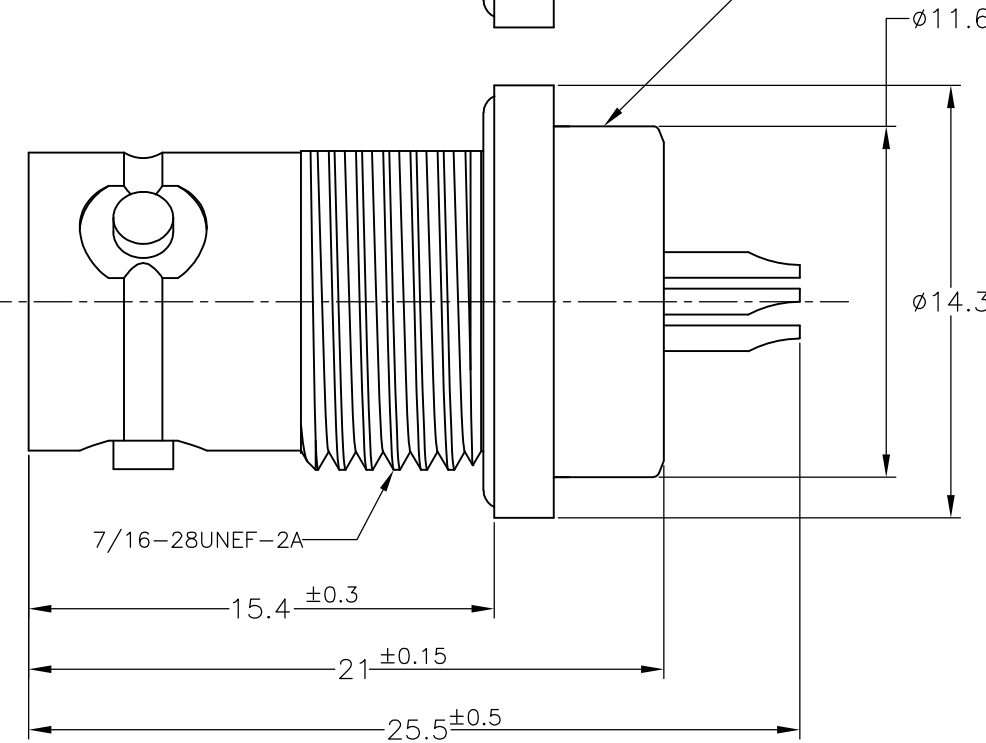
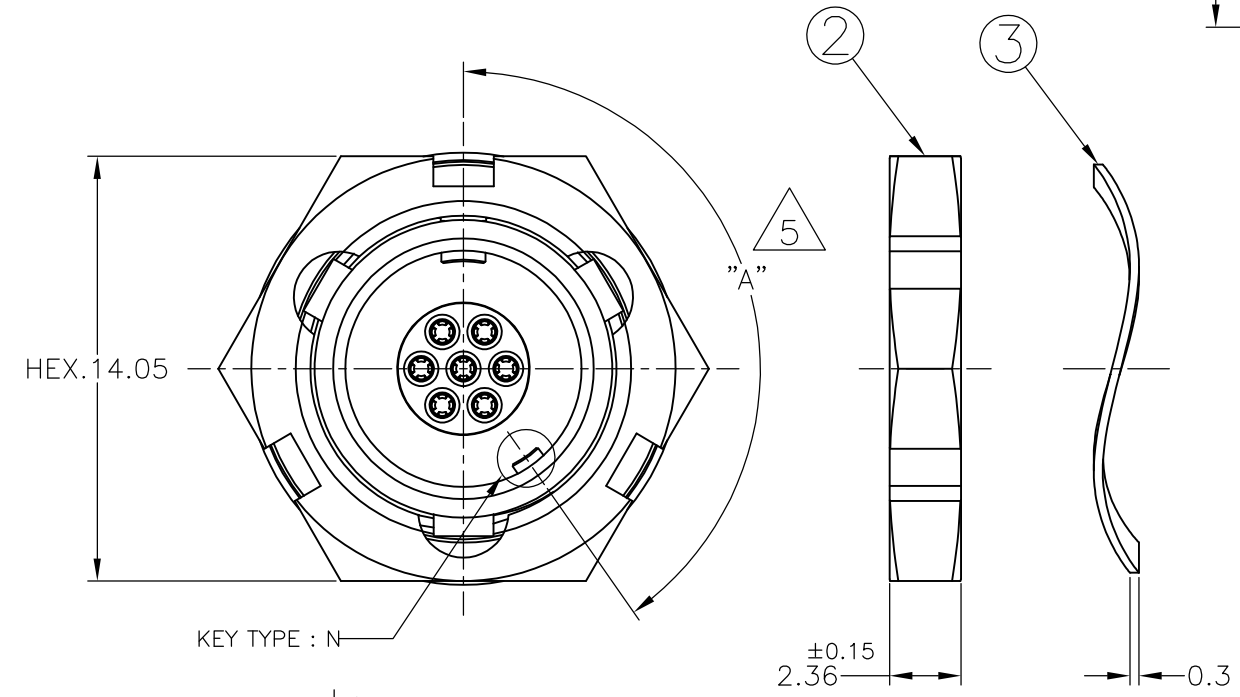
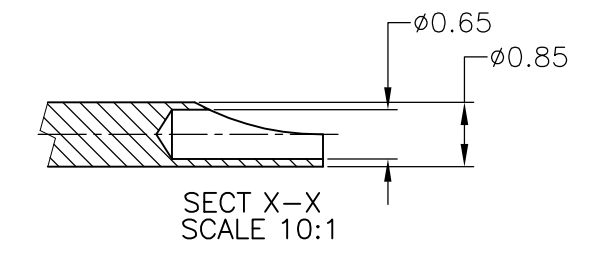
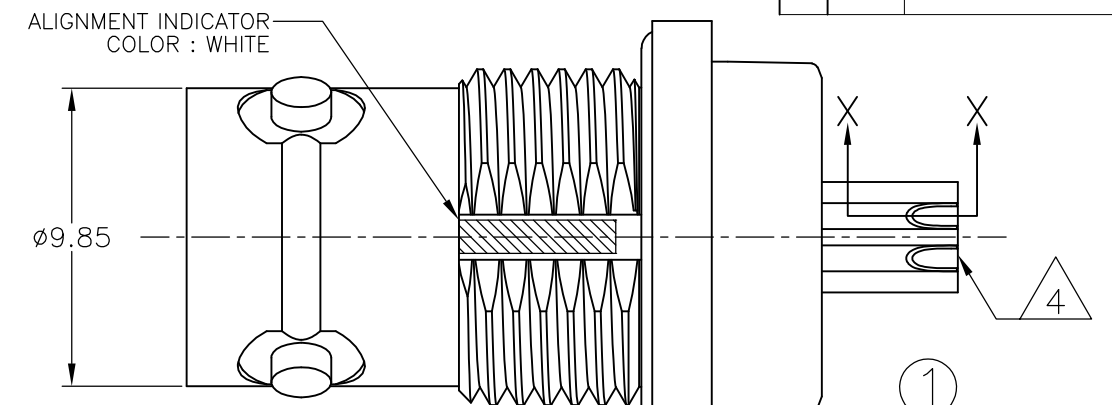


THIS DRAWING IS UNPUBLISHED. RELEASED FOR PUBLICATION FEB. 2012.
 © COPYRIGHT 2012 By Tyco Electronics Japan G.K. ALL RIGHTS RESERVED.

LOC	DIST	P	LTR	DESCRIPTION	DATE	DWN	APVD
—	—		B1	REVISED	16JUL2015	T.K	C.O

本図：2174223-1
 AS SHOWN:2174223-1

- ① MATERIAL: BRASS
- ② FINISH : BLACK Sn-Ni, OVER Ni (9 ~ 10um)
- ③ FINISH : Ni PLATING (3 ~ 6um)
- ④ FINISH : Au PLATING (1.0um), Ni PLATING (2um MIN.)
- ⑤ KEY OPTION : TYPE N IS NORMAL POSITION.
 OPTION KEY IS TYPE A(-2) AND TYPE B(-3).

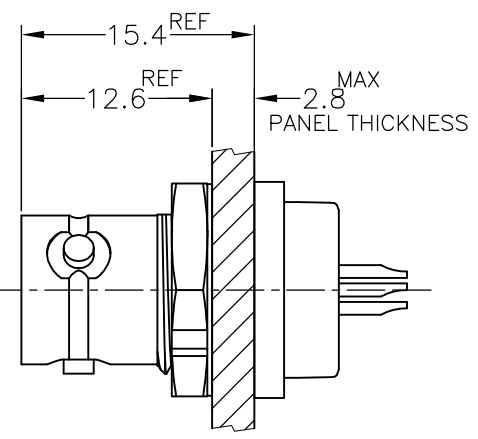
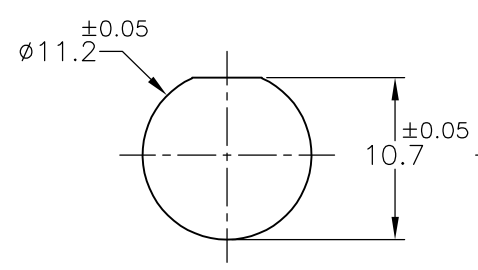


③ KEY POSITION

270°	TYPE B	2174223-3
215°	TYPE A	2174223-2
145°	TYPE N	2174223-1
DIM "A"	KEY TYPE	PART NUMBER

-3	-2	-1	PART NUMBER	ITEM
1	1	1	②	HEX. NUT
1	1	1	③	WAVE SPRING WASHER
1			④	CONNECTOR ASSEMBLY KEY-B
	1		④	CONNECTOR ASSEMBLY KEY-A
		1	④	CONNECTOR ASSEMBLY KEY-N
QTY			FINISH	ITEM

⑤ KEY POSITION OPTION SCALE 2:1



PANEL MOUNT REFERENCE DIMENSION SCALE 2:1

THIS DRAWING IS A CONTROLLED DOCUMENT.

DIMENSIONS: mm	TOLERANCES UNLESS OTHERWISE SPECIFIED: ±0.1	DWN T.SUGIYAMA 19FEB2012	STE TE Connectivity
①-PLC ±	②-PLC ±	CHK T.TONOBÉ 07MAY2012	
③-PLC ±	④-PLC ±	APVD T.SUGIYAMA 07MAY2012	NAME
ANGLES ±5°	FINISH -	PRODUCT SPEC 108-78938	NMSMC 7P BAYONET RECE PIN SOCKET / SOLDER CUP CONNECTOR KIT
MATERIAL ①		APPLICATION SPEC 114-5503	SIZE CAGE CODE DRAWING NO RESTRICTED TO
		WEIGHT 10.950g	A3 00779 C-2174223
CUSTOMER DRAWING			SCALE 4:1 SHEET 1 OF 1 REV B1