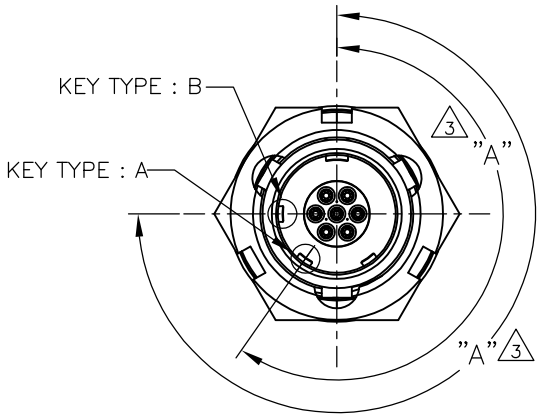


THIS DRAWING IS UNPUBLISHED. RELEASED FOR PUBLICATION FEB. 2012.  
 © COPYRIGHT 2012 By Tyco Electronics Japan G.K. ALL RIGHTS RESERVED.

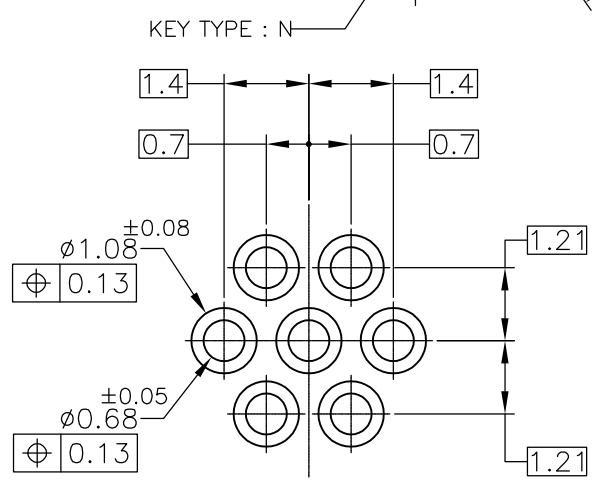
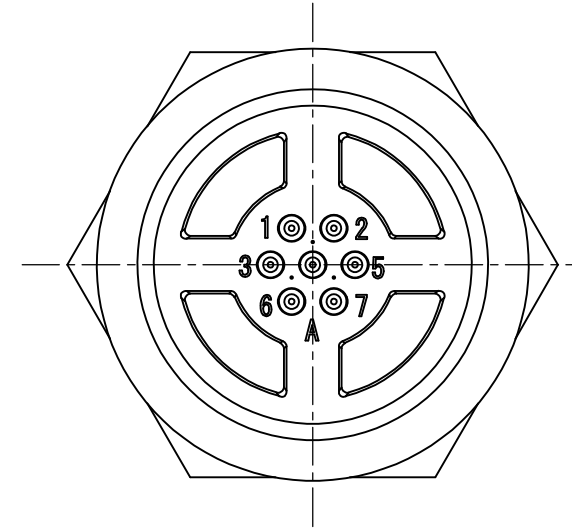
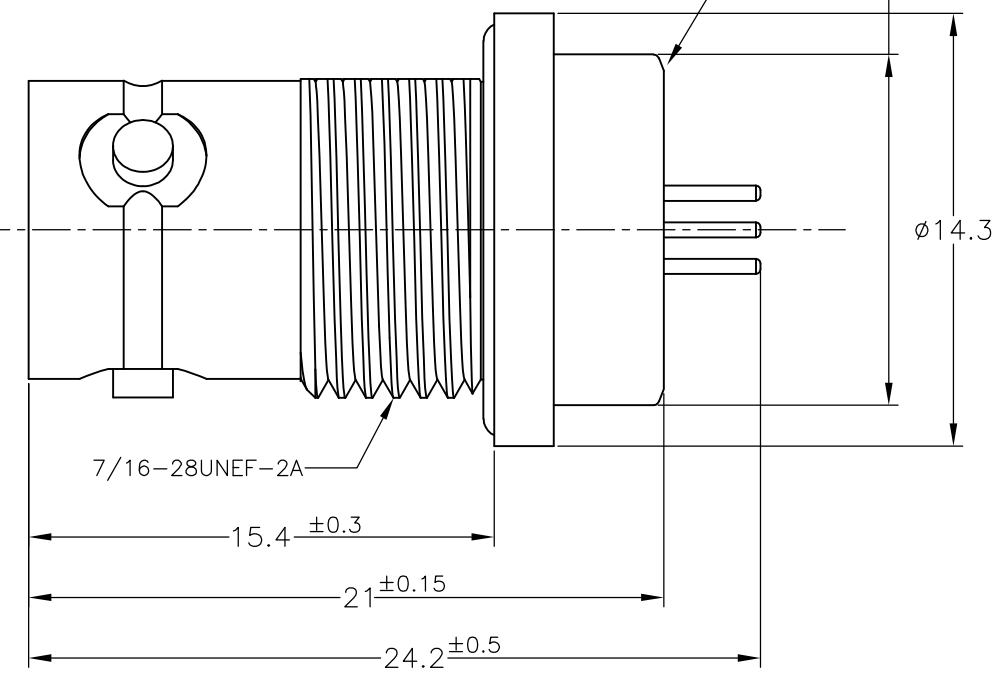
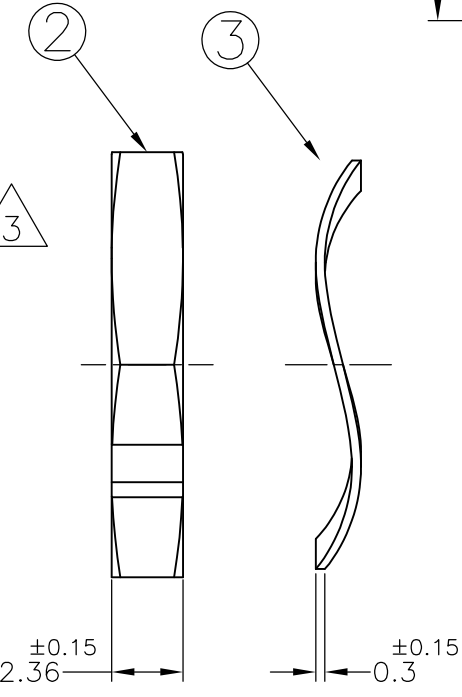
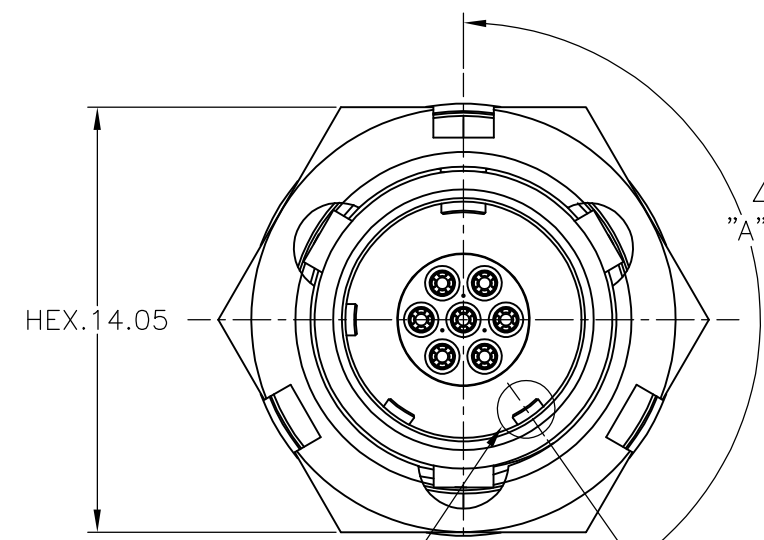
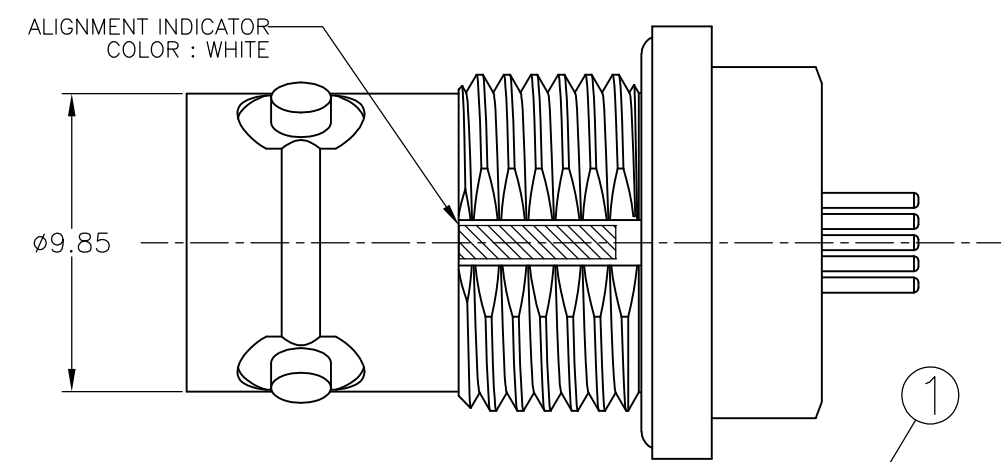
LOC	DIST	REVISIONS					
—	—	P	LTR	DESCRIPTION	DATE	DWN	APVD
			A3	REVISED	24JUL2015	T.K	C.O

本図: 2174208-1  
 AS SHOWN: 2174208-1

- ① MATERIAL: BRASS  
FINISH: BLACK Sn-Ni, OVER Ni (9 ~ 10um)
- ② MATERIAL: BRASS  
FINISH: Ni PLATING (3 ~ 6um)
- ③ KEY OPTION: TYPE N IS NORMAL POSITION.  
OPTION KEY IS TYPE A(-2) AND TYPE B(-3).



KEY POSITION OPTION SCALE 2:1

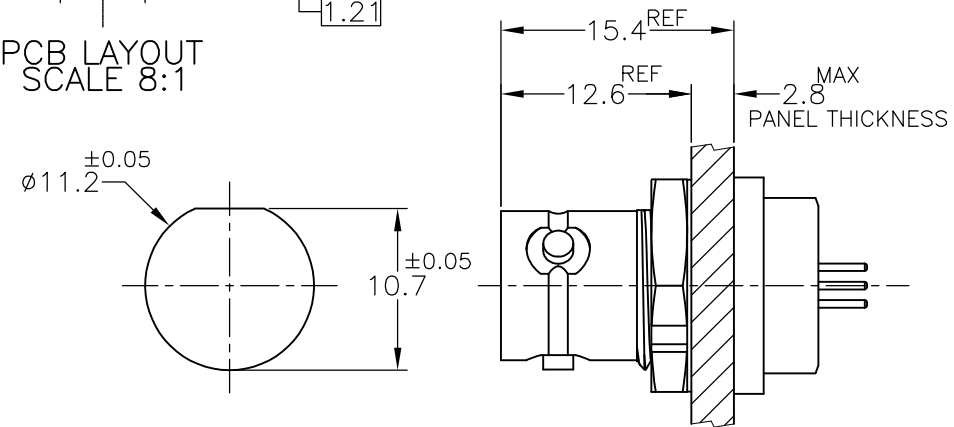


PCB LAYOUT SCALE 8:1

③ KEY POSITION

270°	TYPE B	2174208-3
215°	TYPE A	2174208-2
145°	TYPE N	2174208-1
DIM "A"	KEY TYPE	PART NUMBER

-3	-2	-1	PART NUMBER	ITEM
1	1	1	②	HEX. NUT
1	1	1	③	WAVE SPRING WASHER
1				CONNECTOR ASSEMBLY KEY-B
	1		①	CONNECTOR ASSEMBLY KEY-A
		1		CONNECTOR ASSEMBLY KEY-N
QTY			FINISH	ITEM



PANEL MOUNT REFERENCE DIMENSION SCALE 2:1

THIS DRAWING IS A CONTROLLED DOCUMENT.

DIMENSIONS:	TOLERANCES UNLESS OTHERWISE SPECIFIED:
mm	±0.1
0-PLC	±
1-PLC	±
2-PLC	±
3-PLC	±
4-PLC	±
ANGLES	±5°
MATERIAL	FINISH
①	-

DWN	19FEB2012
T.SUGIYAMA	
CHK	07MAY2012
T.TONOBE	
APVD	07MAY2012
T.SUGIYAMA	
PRODUCT SPEC	
108-78938	
APPLICATION SPEC	
114-5503	
WEIGHT	10.938g
CUSTOMER DRAWING	

**STE** TE Connectivity

NMSC 7P BAYONET RECE  
 PROBE / SOLDER TAIL  
 CONNECTOR KIT

SIZE	CAGE CODE	DRAWING NO	RESTRICTED TO
A3	00779	C-2174208	-
SCALE		SHEET	REV
4:1		1 OF 1	A3