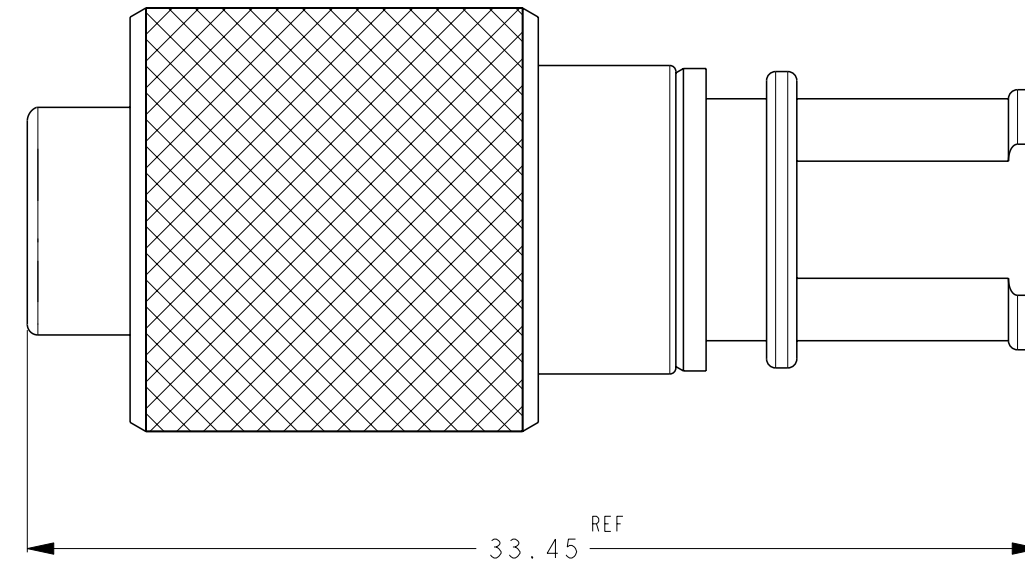
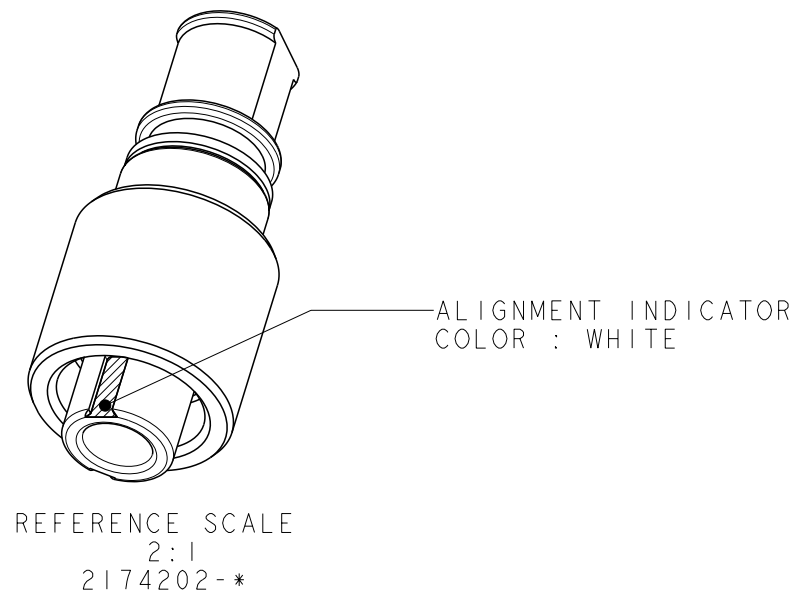
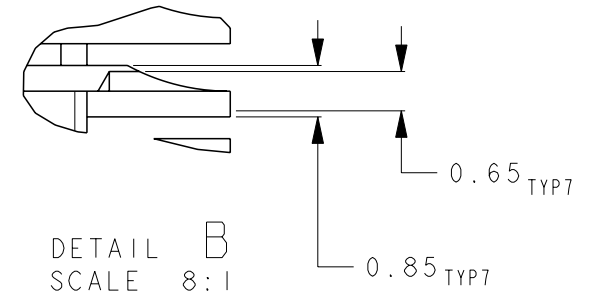
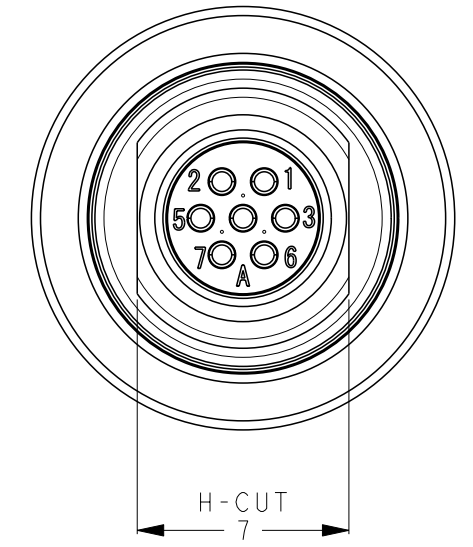
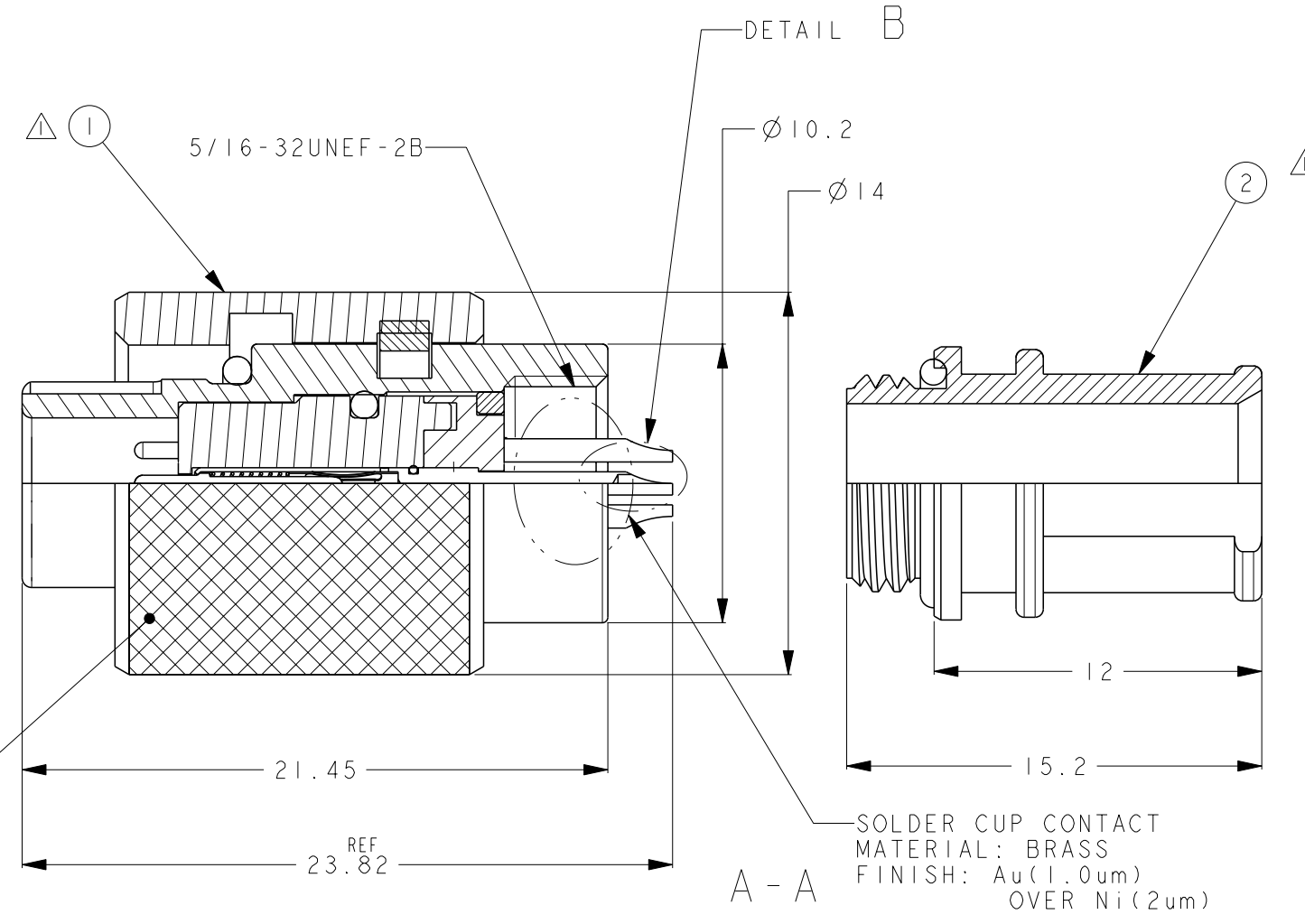
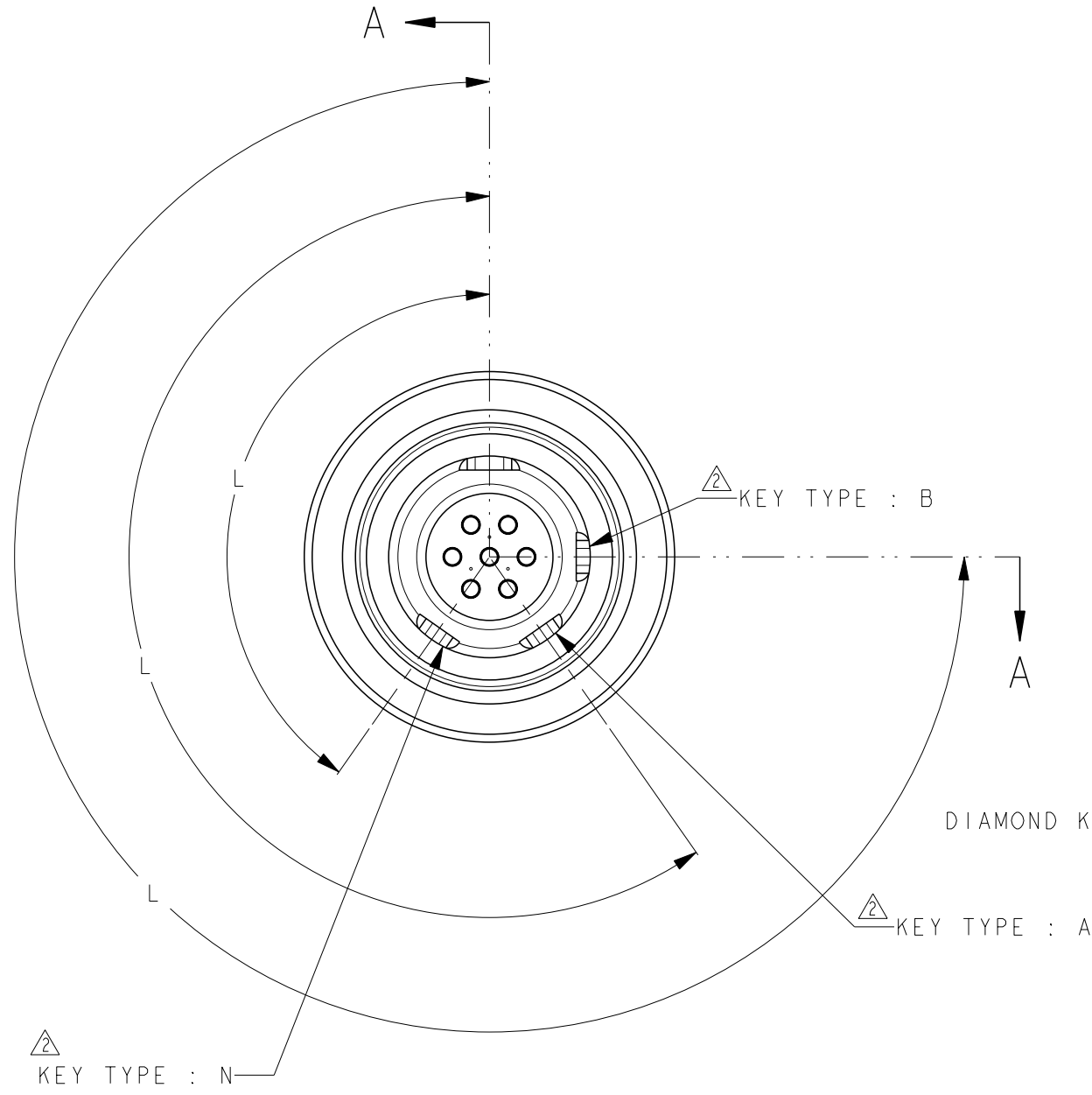


AS SHOWN 2174202-*

| LOC | | DIST | | REVISIONS | | | |
|-----|-----|-----------------------|-----------|-----------|------|--|--|
| P | LTR | DESCRIPTION | DATE | DWN | APVD | | |
| A | I | REVISED ECR-12-017568 | 10OCT2012 | H.S | T.S | | |
| B | | REVISED | 10MAR2014 | H.S | C.O | | |



△ MATERIAL: BRASS
 FINISH: BLACK Su-Ni OVER Ni(9 ~ 10um)
 △ KEY POSITION: TYPE N IS NORMAL POSITION.
 OPTION KEY IS TYPE A(-2) AND TYPE B(-3).

| | 1 | 2 | 3 | DESCRIPTION | ITEM NO. | |
|--|----|----|----|-------------|---|----------|
| | 1 | 1 | 1 | 2201639-1 | 7P PLUG ADAPTOR WITH O-RING | 2 |
| | 1 | - | - | 2201618-3 | 7P THREAD PLUG SPRING PROBE/SOLDER CUP CONT ASSY TYPE B | 1 |
| | - | 1 | - | 2201618-2 | 7P THREAD PLUG SPRING PROBE/SOLDER CUP CONT ASSY TYPE A | 1 |
| | - | - | 1 | 2201618-1 | 7P THREAD PLUG SPRING PROBE/SOLDER CUP CONT ASSY TYPE N | 1 |
| | -3 | -2 | -1 | PART NO. | DESCRIPTION | ITEM NO. |

REVISION OF EACH ASSY NO. (WHEN BLANK, USE DRAWING REVISION)

PART LIST

| NET WEIGHT [g] | DIM L | DESCRIPTION | PART NO |
|----------------|-------|-------------|-----------|
| 15.951 | 270° | TYPE B | 2174202-3 |
| 15.951 | 215° | TYPE A | 2174202-2 |
| 15.951 | 145° | TYPE N | 2174202-1 |

THIS DRAWING IS A CONTROLLED DOCUMENT.

DWN: T. SUGIYAMA 13 JAN 2012
 CHK: T. TONOBE 07 MAR 2012
 APVD: T. SUGIYAMA

TE Connectivity

NMSMC 7P THREAD PLUG SPRING PROBE / SOLDER CUP CONNECTOR / KIT

108-78938
 114-5503

Customer Drawing SCALE 4:1 SHEET 1 OF 1 REV B