

THIS DRAWING IS UNPUBLISHED. RELEASED FOR PUBLICATION FEB. 2012.
 © COPYRIGHT 2012 By Tyco Electronics Japan G.K. ALL RIGHTS RESERVED.

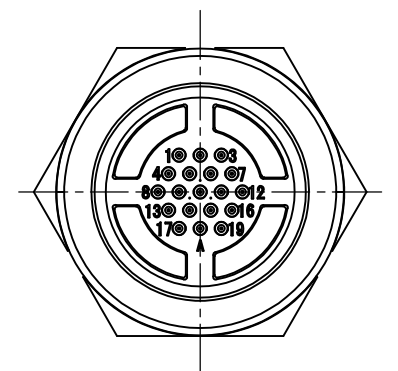
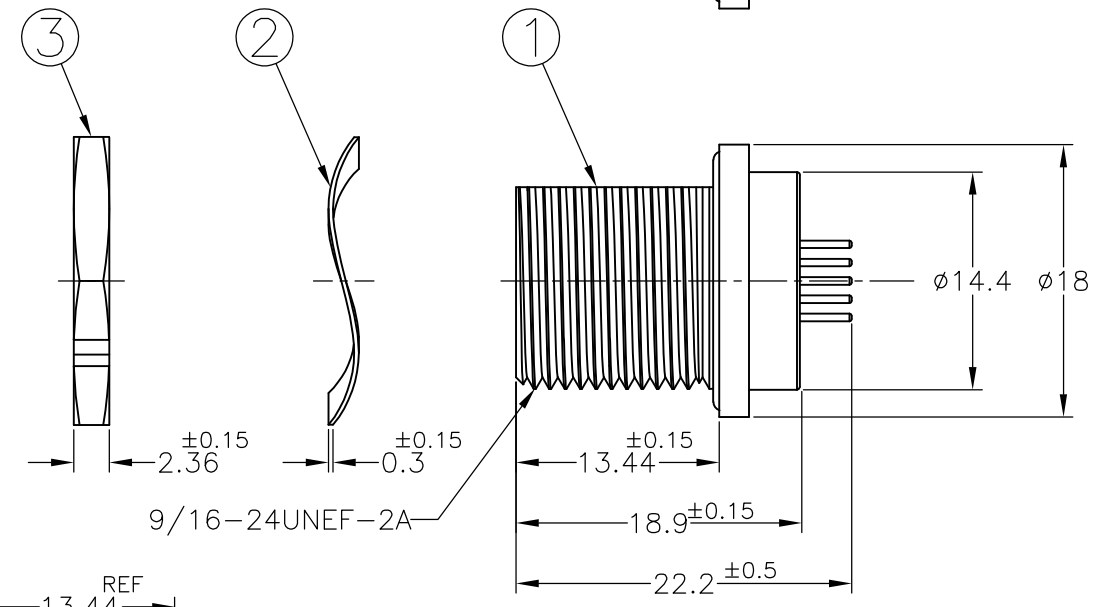
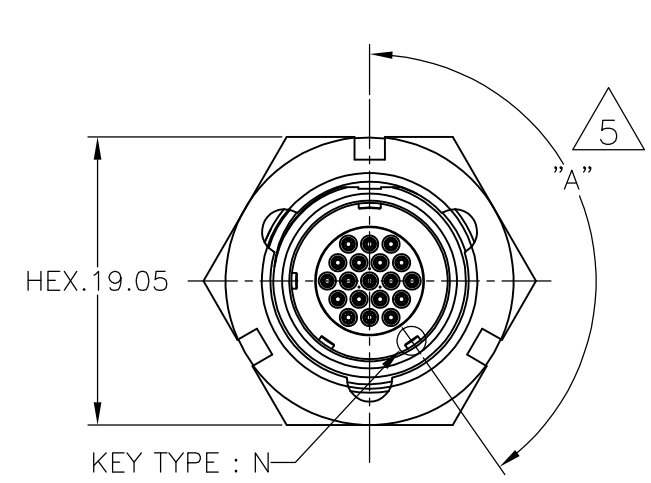
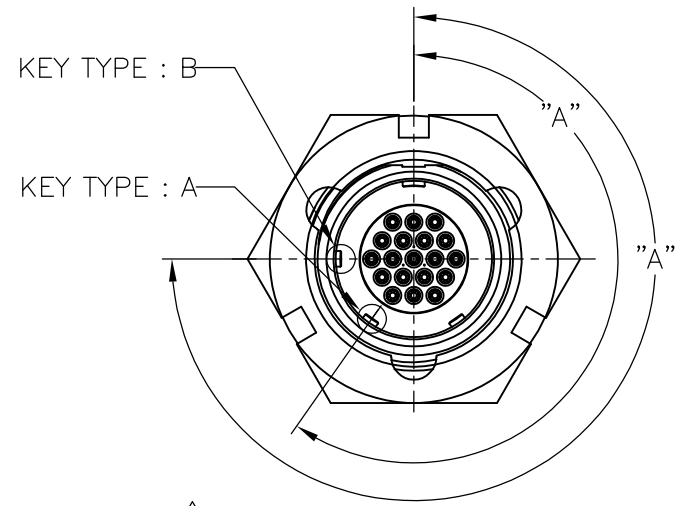
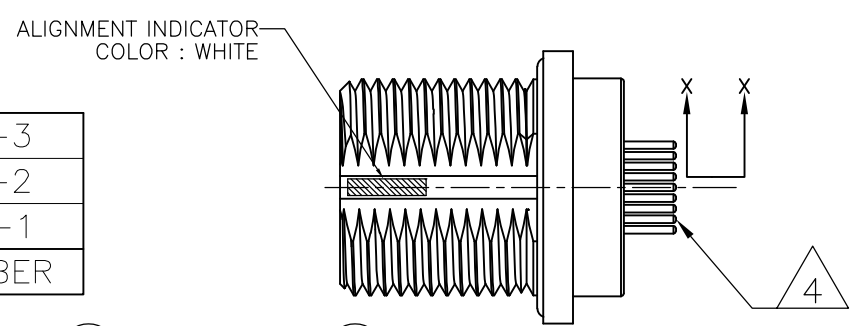
LOC	DIST	REVISIONS					
		P	LTR	DESCRIPTION	DATE	DWN	APVD
—	—		A2	REVISED	24JUL2015	T.K	C.O

本図: 2174199-1
 AS SHOWN: 2174199-1

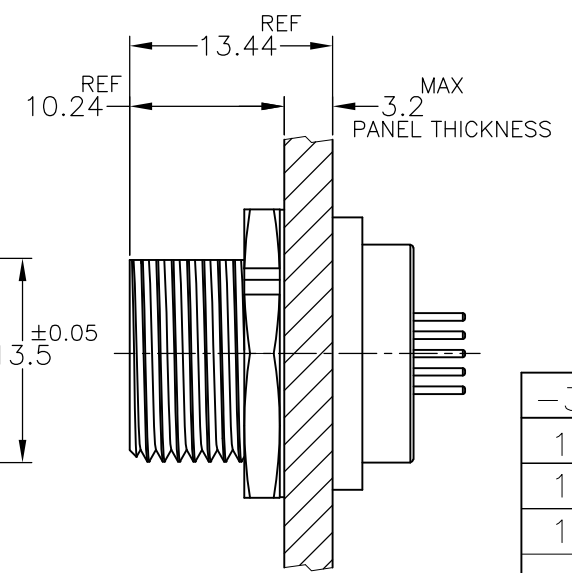
- ① MATERIAL: BRASS
- ② FINISH : BLACK Sn-Ni, OVER Ni (9 ~ 10um)
- ③ FINISH : Ni PLATING (3 ~ 6um)
- ④ FINISH : Au PLATING (1.0um), Ni PLATING (2um MIN.)
- ⑤ KEY OPTION : TYPE N IS NORMAL POSITION.
 OPTION KEY IS TYPE A(-2) AND TYPE B(-3).

⑤ KEY POSITION

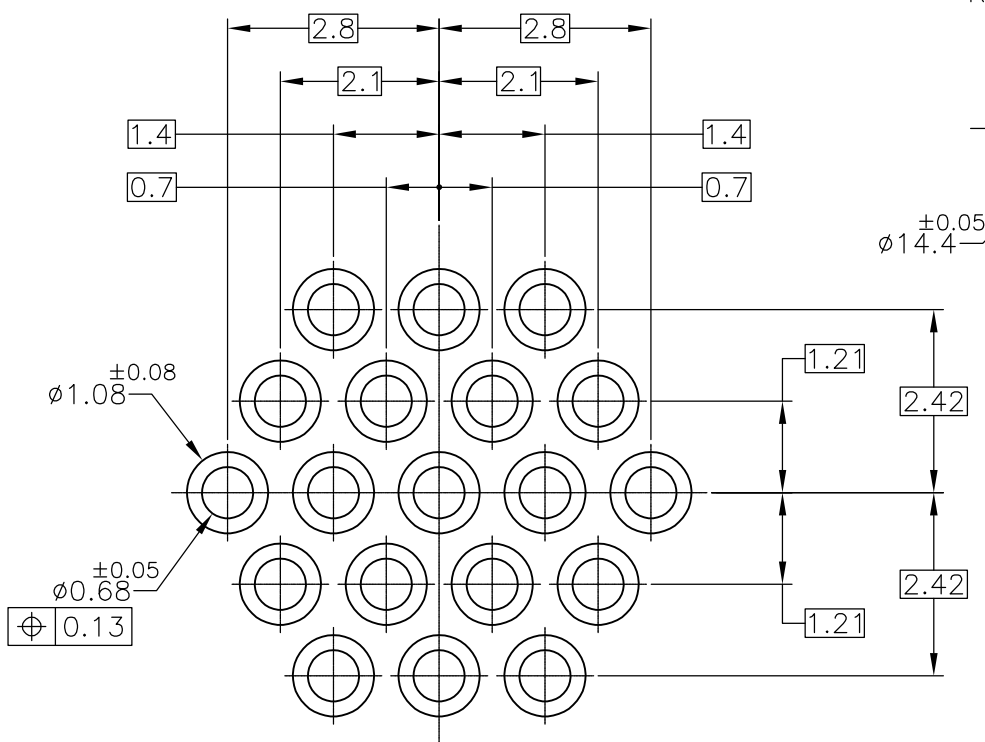
270°	TYPE B	2174199-3
215°	TYPE A	2174199-2
145°	TYPE N	2174199-1
DIM "A"	KEY TYPE	PART NUMBER



⑤ KEY POSITION OPTION



PANEL MOUNT REFERENCE DIMENSION



PCB LAYOUT SCALE 10:1

-3	-2	-1	PART NUMBER	ITEM
1	1	1	②	HEX. NUT
1	1	1	③	WAVE SPRING WASHER
1			④	CONNECTOR ASSEMBLY KEY-B
	1		④	CONNECTOR ASSEMBLY KEY-A
		1	④	CONNECTOR ASSEMBLY KEY-N
QTY			FINISH	ITEM

THIS DRAWING IS A CONTROLLED DOCUMENT.

DIMENSIONS: mm	TOLERANCES UNLESS OTHERWISE SPECIFIED: ±0.1	DWN T.SUGIYAMA 19FEB2012	STE TE Connectivity
	0-PLC ± 1-PLC ± 2-PLC ± 3-PLC ± 4-PLC ± ANGLES ±5°	CHK T.TONOBÉ 07MAY2012	
MATERIAL ①	FINISH -	APVD T.SUGIYAMA 07MAY2012	NAME NMSMC 19P THREADED RECEPTACLE / SOLDER TAIL CONNECTOR KIT
		PRODUCT SPEC 108-78938	SIZE A3
		APPLICATION SPEC 114-5503	CAGE CODE 00779
		WEIGHT 18.546g	DRAWING NO C-2174199
CUSTOMER DRAWING			RESTRICTED TO -
SCALE 2:1			SHEET 1 OF 1
			REV A2