

THIS DRAWING IS UNPUBLISHED. RELEASED FOR PUBLICATION FEB. 2012.  
 © COPYRIGHT 2012 By Tyco Electronics Japan G.K. ALL RIGHTS RESERVED.

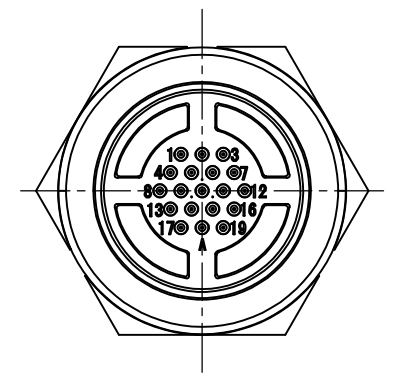
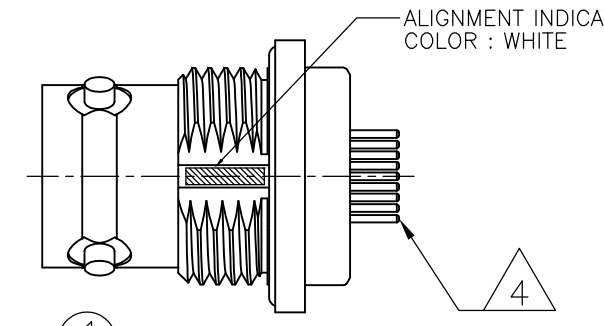
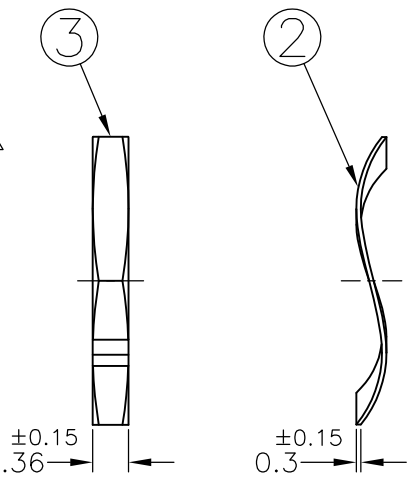
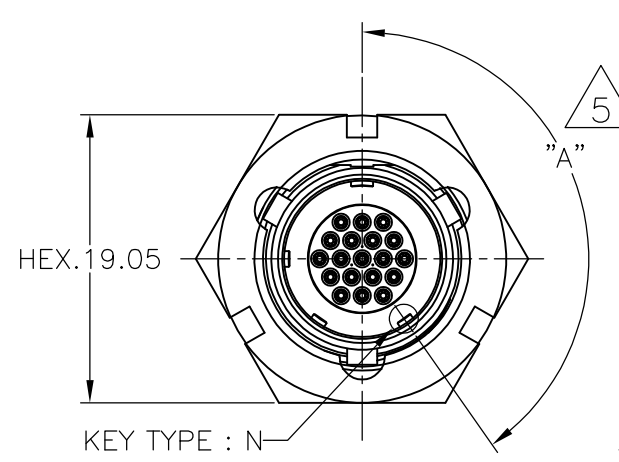
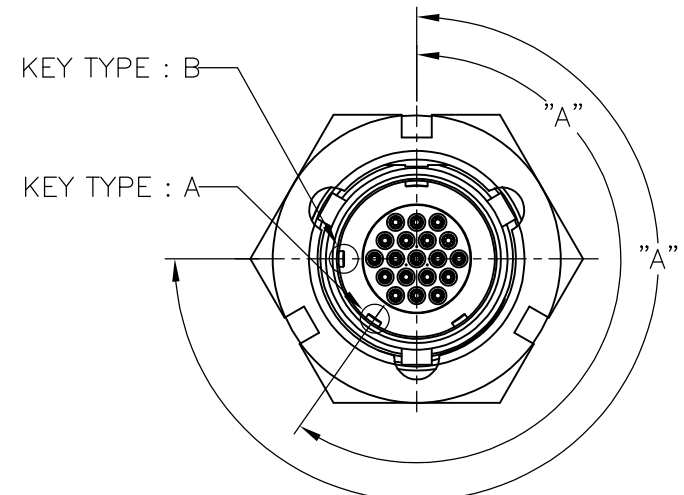
LOC	DIST	REVISIONS					
		P	LTR	DESCRIPTION	DATE	DWN	APVD
—	—		A3	REVISED	24JUL2015	T.K	C.O

本図: 2174198-1  
 AS SHOWN: 2174198-1

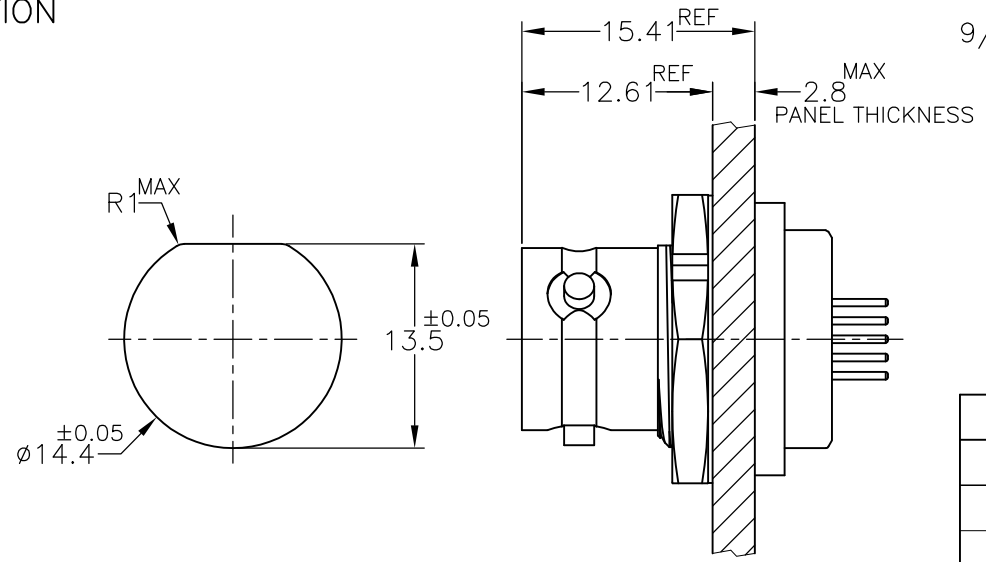
- ① MATERIAL: BRASS
- ② FINISH : BLACK Sn-Ni, OVER Ni (9 ~ 10um)
- ③ FINISH : Ni PLATING (3 ~ 6um)
- ④ FINISH : Au PLATING (1.0um), Ni PLATING (2um MIN.)
- ⑤ KEY OPTION : TYPE N IS NORMAL POSITION.  
 OPTION KEY IS TYPE A(-2) AND TYPE B(-3).

⑤ KEY POSITION

DIM "A"	KEY TYPE	PART NUMBER
270°	TYPE B	2174198-3
215°	TYPE A	2174198-2
145°	TYPE N	2174198-1

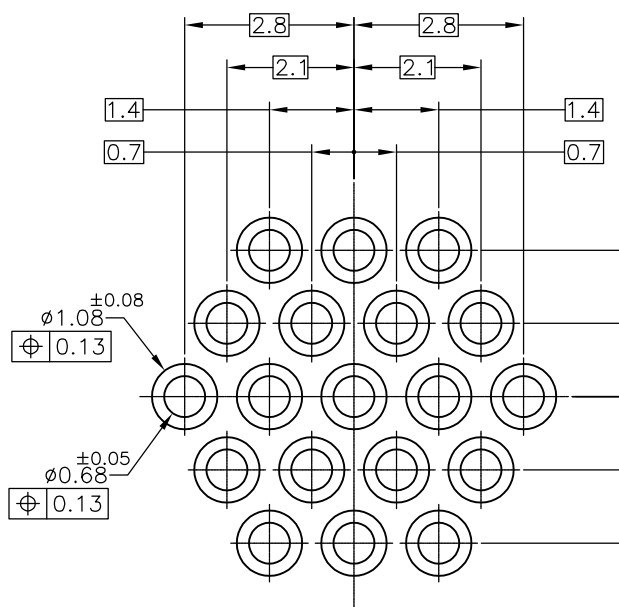


⑤ KEY POSITION OPTION



9/16-24UNEF-2A

-3	-2	-1	PART NUMBER	ITEM
1	1	1	② HEX. NUT	③
1	1	1	③ WAVE SPRING WASHER	②
1			④ CONNECTOR ASSEMBLY KEY-B	①
	1		CONNECTOR ASSEMBLY KEY-A	
		1	CONNECTOR ASSEMBLY KEY-N	
QTY			FINISH	ITEM



PCB LAYOUT SCALE 10:1

THIS DRAWING IS A CONTROLLED DOCUMENT.

DIMENSIONS: mm	TOLERANCES UNLESS OTHERWISE SPECIFIED: ±0.1	DWN T.SUGIYAMA 19FEB2012	<b>STE</b> TE Connectivity
	0-PLC ±	CHK T.TONOBÉ 07MAY2012	
	1-PLC ±	APVD T.SUGIYAMA 07MAY2012	NAME NMSMC 19P BAYONET RECE PROBE / SOLDER TAIL CONNECTOR KIT
	2-PLC ±	PRODUCT SPEC 108-78938	
	3-PLC ±	APPLICATION SPEC 114-5503	SIZE A3
	4-PLC ±	WEIGHT 16.950g	CAGE CODE 00779
MATERIAL ①	FINISH -	CUSTOMER DRAWING	DRAWING NO C-2174198
		SCALE 2:1	RESTRICTED TO -
		SHEET 1 OF 1	REV A3