

4

3

2

1

THIS DRAWING IS UNPUBLISHED. RELEASED FOR PUBLICATION

© COPYRIGHT BY TYCO ELECTRONICS CORPORATION. ALL INTERNATIONAL RIGHTS RESERVED.

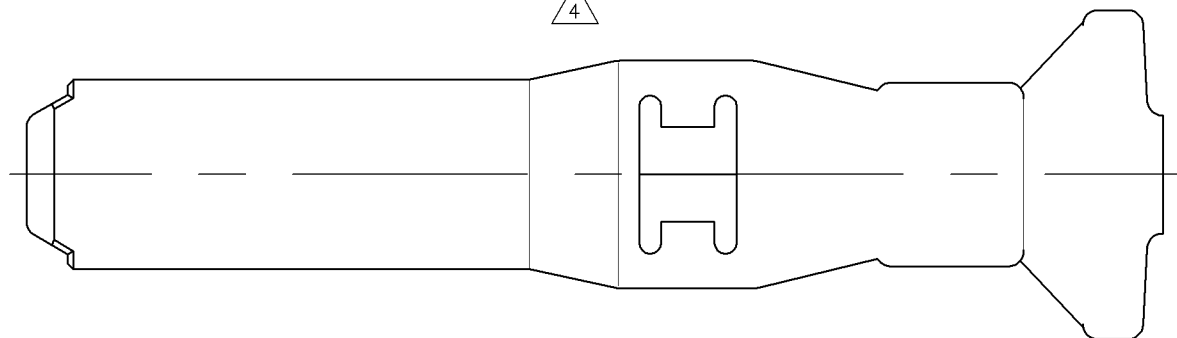
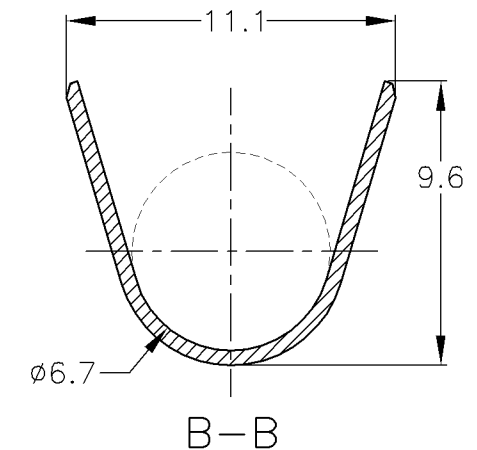
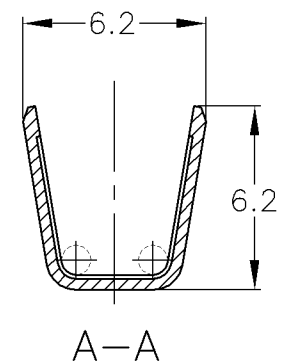
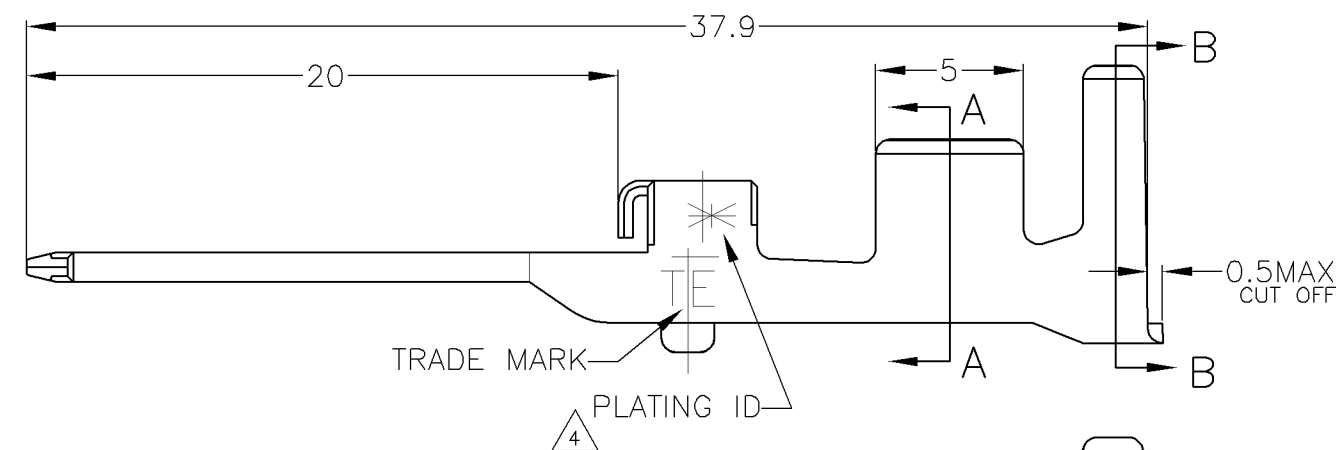
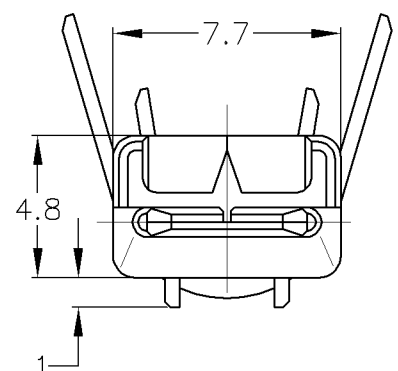
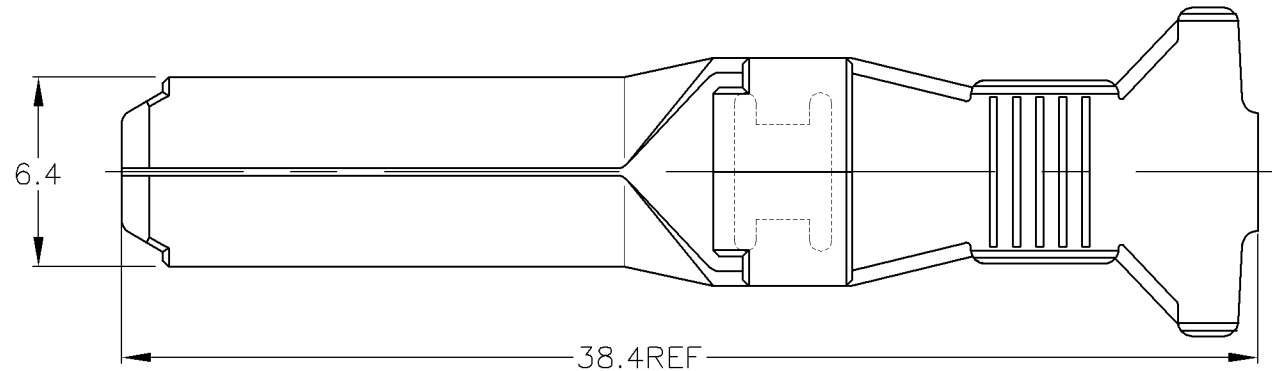
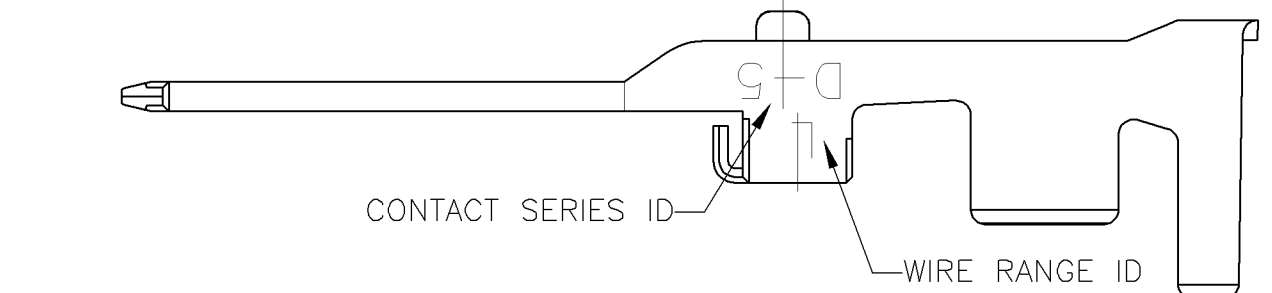
LOC J DIST -

REVISIONS

P	LTR	DESCRIPTION	DATE	DWN	APVD
A		RELEASED	04MAR2011	M.M	N.Y

AS SHOWN : 2174022-1

- △1. MATERIAL : COPPER ALLOY
- △2. FINISH : (ALL OVER) NICKEL PLATING 0.0013mm MIN
- △3. FINISH : (CONTACT AREA) SILVER PLATING 0.0026mm MIN OVER NICKEL PLATING.
- △4. PLATING ID : 6 (SILVER)



△2	△3	6	2174022-1
FINISH		PLATING ID	PART NO
		△4	

WIRE RANGE (AWG #8) 7.95 ~ 8.92 mm <sup>2</sup>	INSULATION DIA ø4.90 ~ ø7.80 MAX
--	-------------------------------------

THIS DRAWING IS A CONTROLLED DOCUMENT.		DWN M.MAEBASHI 04MAR2011												
DIMENSIONS: mm		CHK N.YAMASAKI 04MAR2011												
TOLERANCES UNLESS OTHERWISE SPECIFIED:		APVD N.YAMASAKI 04MAR2011												
<table border="1"> <tr><td>0 PLC</td><td>± 0.5</td></tr> <tr><td>1 PLC</td><td>± 0.5</td></tr> <tr><td>2 PLC</td><td>± 0.5</td></tr> <tr><td>3 PLC</td><td>± 0.5</td></tr> <tr><td>4 PLC</td><td>± 0.5</td></tr> <tr><td>ANGLES</td><td>± 5°</td></tr> </table>		0 PLC	± 0.5	1 PLC	± 0.5	2 PLC	± 0.5	3 PLC	± 0.5	4 PLC	± 0.5	ANGLES	± 5°	PRODUCT SPEC 108-5453
0 PLC	± 0.5													
1 PLC	± 0.5													
2 PLC	± 0.5													
3 PLC	± 0.5													
4 PLC	± 0.5													
ANGLES	± 5°													
MATERIAL △1		APPLICATION SPEC 114-5206												
FINISH △2-△3		WEIGHT -												
CUSTOMER DRAWING														

Tyco Electronics Corporation Kawasaki, Japan	
NAME DYNAMIC 5000 SERIES TAB CONTACT LONG L-SIZE L/P	
SIZE A3	CAGE CODE 00779
DRAWING NO C-2174022	RESTRICTED TO -
SCALE 4:1	SHEET 1 OF 1
REV A	