

4

3

2

1

THIS DRAWING IS UNPUBLISHED.

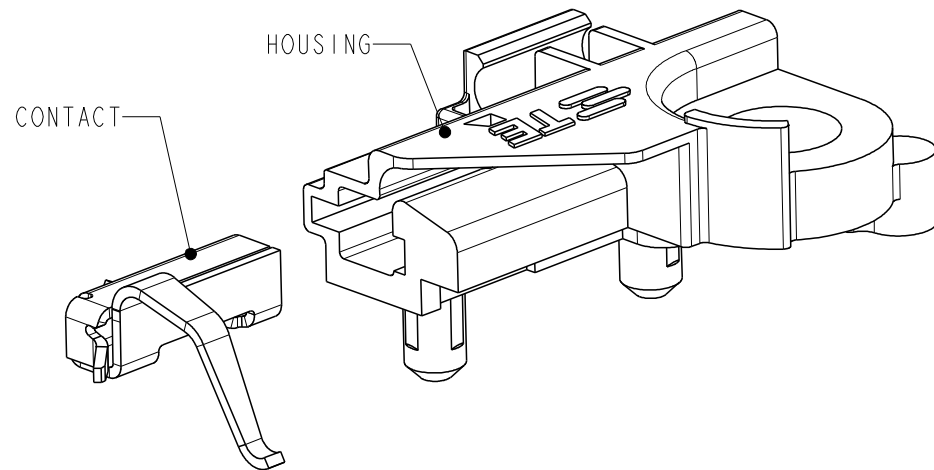
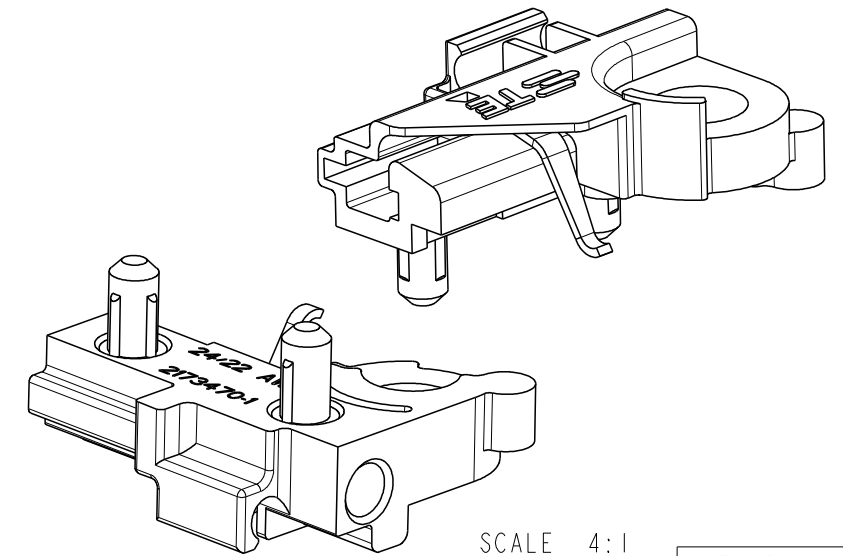
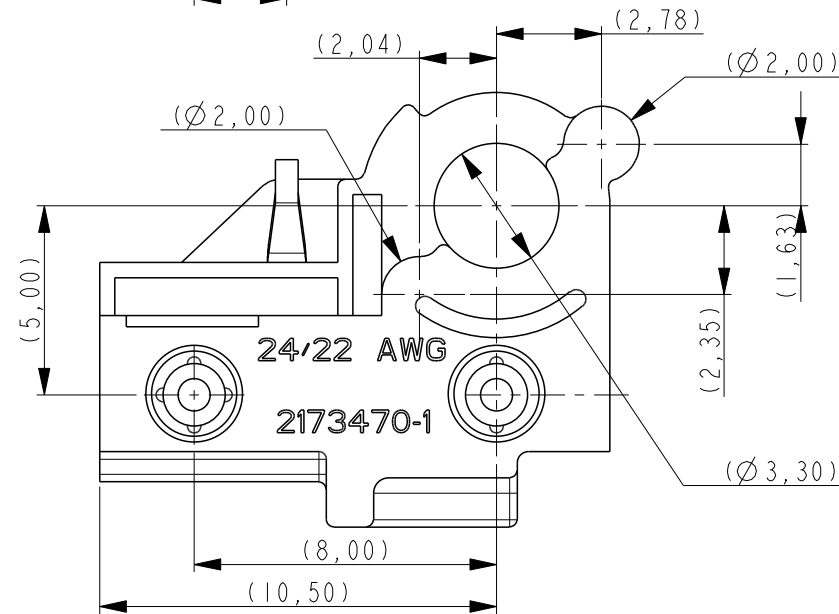
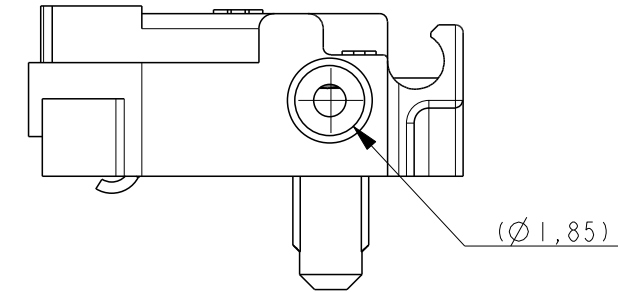
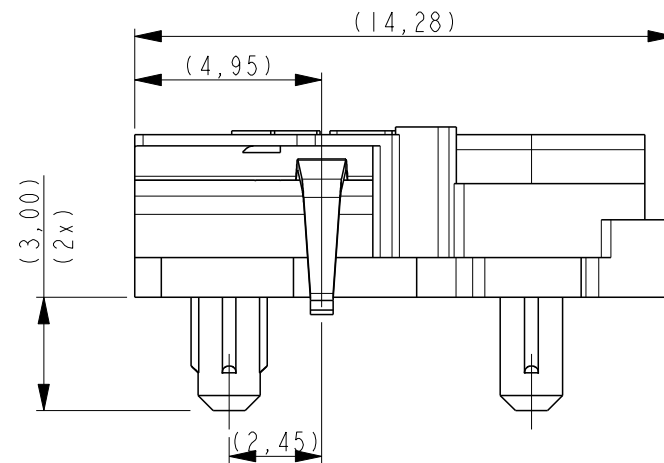
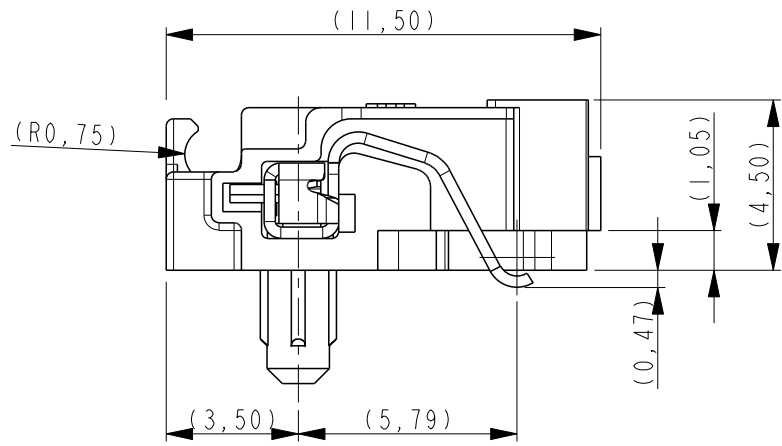
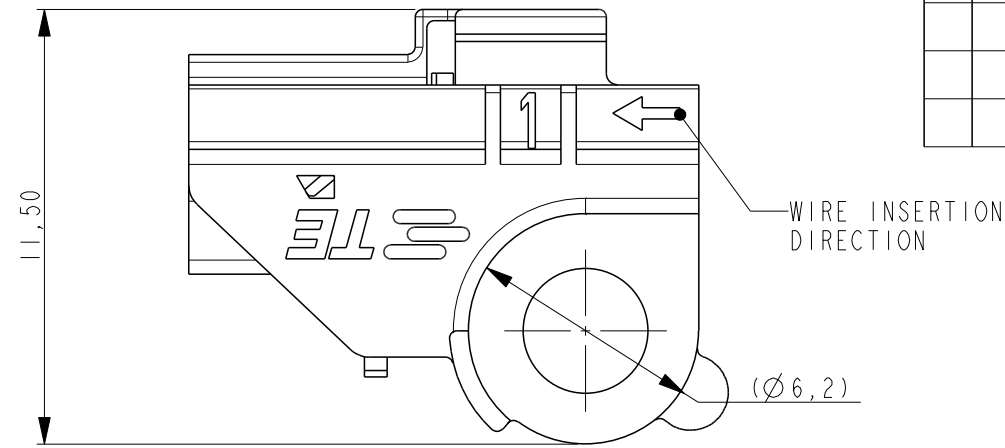
RELEASED FOR PUBLICATION

© COPYRIGHT - BY TYCO ELECTRONICS CORPORATION. ALL RIGHTS RESERVED.

LOC	DIST	REVISIONS					
		P	LTR	DESCRIPTION	DATE	DWN	APVD
H	-		A	RELEASE FOR PRODUCTION	25OCT2012	NJ	OL

NOTES:

- MATERIALS:
  - HOUSING: PBT GF30%, COLOR: NATURAL.
  - CONTACT: COPPER ALLOY.
- FOR SOLID AND STRANDED WIRE AWG 22 USE, UL 1007.  
FOR SOLID WIRE AWG 24 USE, UL 1007.
- COMPLIES WITH DIRECTIVE 2002/95/EC (ROHS).
- SCREW TO BE USED: M3 x 6(min.)



THIS DRAWING IS A CONTROLLED DOCUMENT.

DIMENSIONS:	TOLERANCES UNLESS OTHERWISE SPECIFIED:
mm	0 PLC ±-
	1 PLC ±-
	2 PLC ±-
	3 PLC ±-
	4 PLC ±-
	ANGLES ±-
MATERIAL	FINISH -
SEE NOTES	

DWN	P. POORTER	21FEB2012
CHK	N. JONGENS	09MAR2012
APVD	O. LEIJNSE	09MAR2012
PRODUCT SPEC	-	
APPLICATION SPEC	-	
WEIGHT	-	

TE Connectivity		NAME	
		POKE-IN CONNECTOR Type Luxeon K	
SIZE	CAGE CODE	DRAWING NO	RESTRICTED TO
A3	00779	C-2173470	-

Customer Drawing      SCALE 5:1      SHEET 1 OF 2      REV A

D

C

B

A

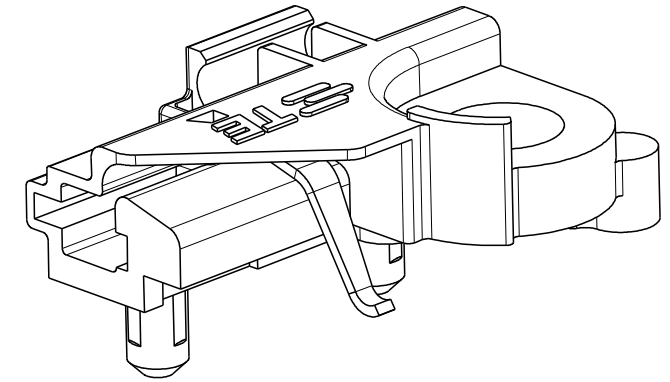
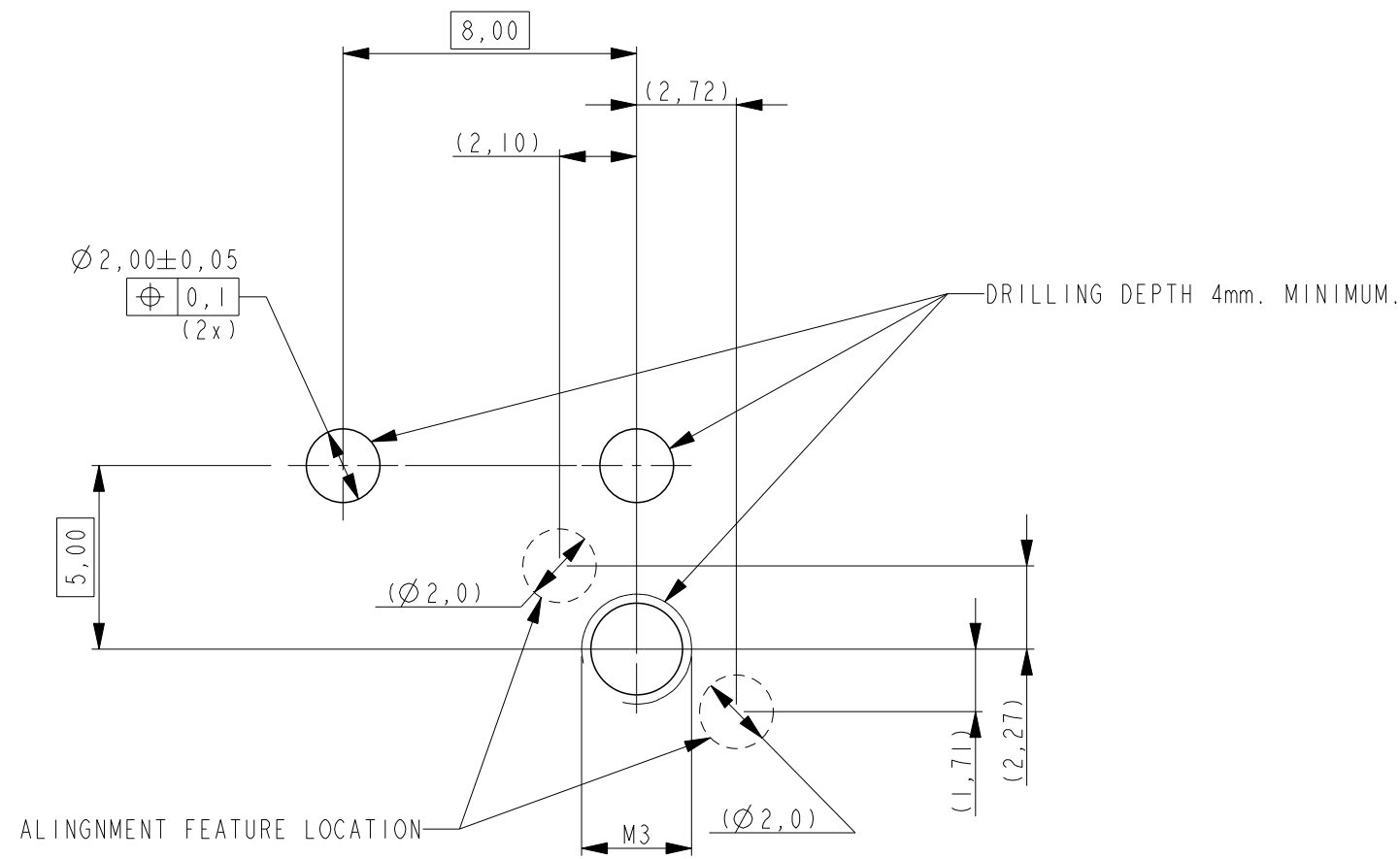
THIS DRAWING IS UNPUBLISHED.

RELEASED FOR PUBLICATION

© COPYRIGHT - BY TYCO ELECTRONICS CORPORATION. ALL RIGHTS RESERVED.

LOC	DIST	REVISIONS					
		P	LTR	DESCRIPTION	DATE	DWN	APVD
H	-	-	-	SEE SHEET 1	-	-	-

# RECOMMENDED DRILLING HOLE PATTERN:



THIS DRAWING IS A CONTROLLED DOCUMENT.		DWN P. POORTER 21FEB2012			
DIMENSIONS: mm		CHK N. JONGENS 09MAR2012			
TOLERANCES UNLESS OTHERWISE SPECIFIED:		APVD O. LEIJNSE 09MAR2012	NAME POKE-IN CONNECTOR Type Luxeon K		
<ul style="list-style-type: none"> <li>0 PLC ±-</li> <li>1 PLC ±-</li> <li>2 PLC ±-</li> <li>3 PLC ±-</li> <li>4 PLC ±-</li> <li>ANGLES ±-</li> </ul>		PRODUCT SPEC -	RESTRICTED TO -		
MATERIAL SEE NOTES		APPLICATION SPEC -	SIZE A3	CAGE CODE 00779	DRAWING NO C=2173470
		WEIGHT -			
		Customer Drawing	SCALE 5:1	SHEET 2	OF 2
				REV A	

D

C

B

A