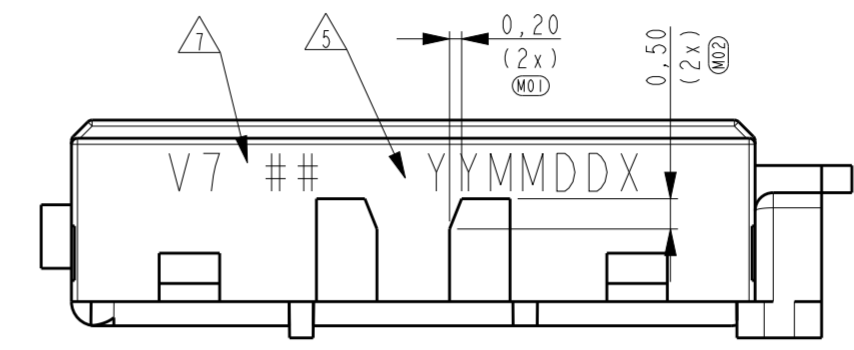
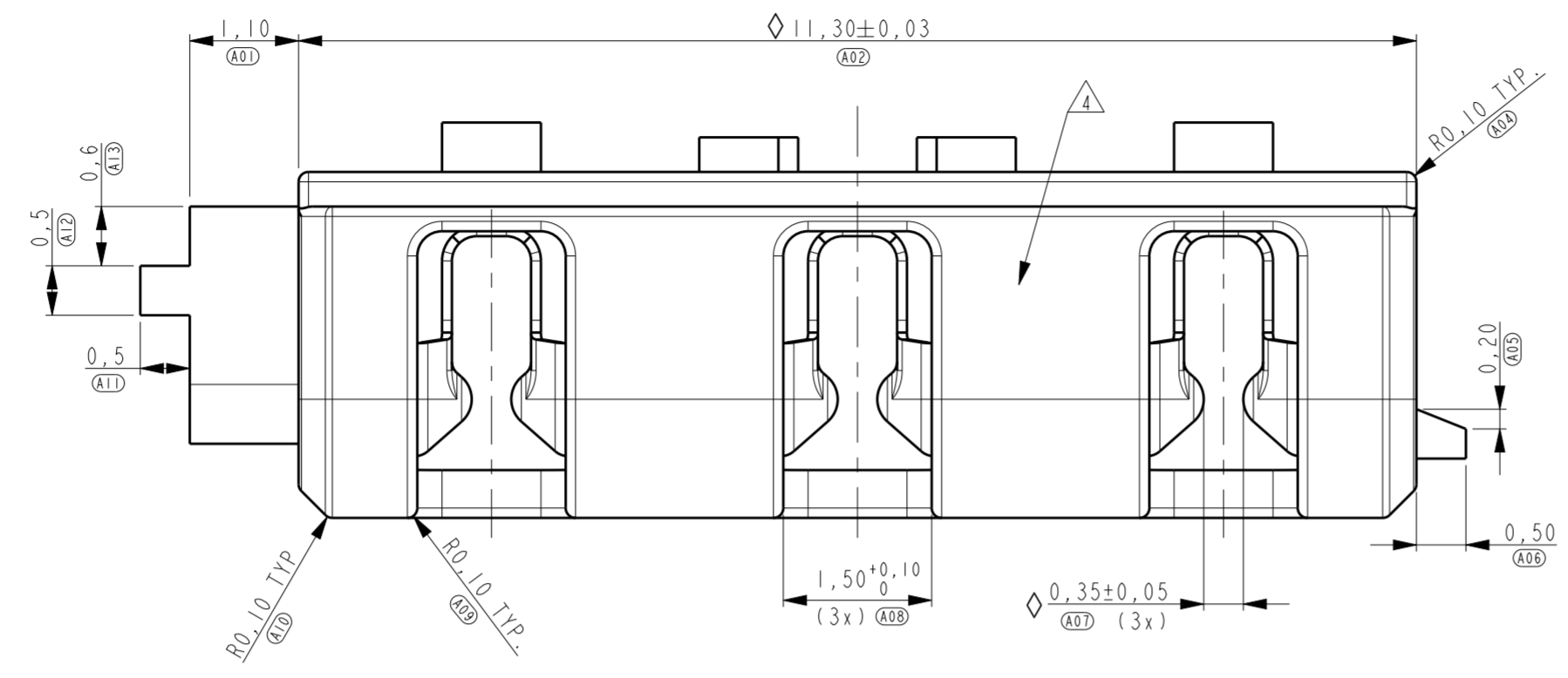
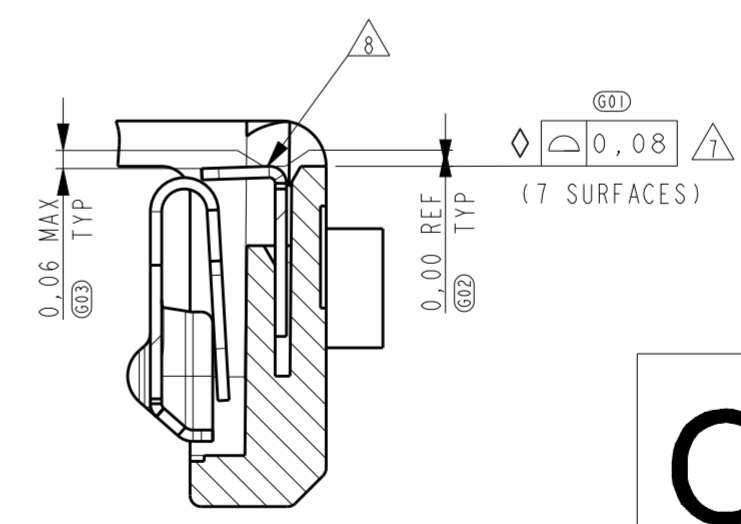
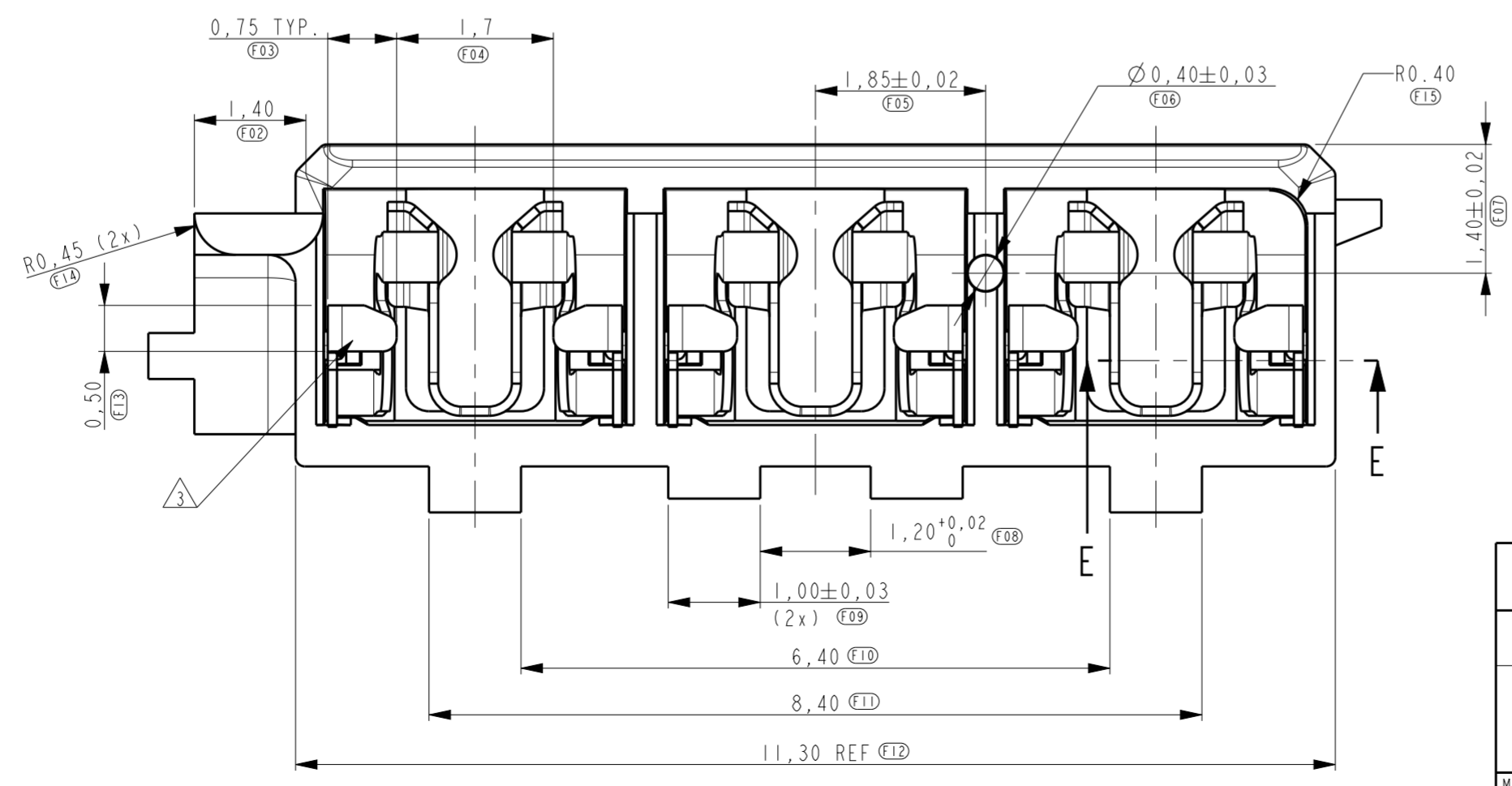
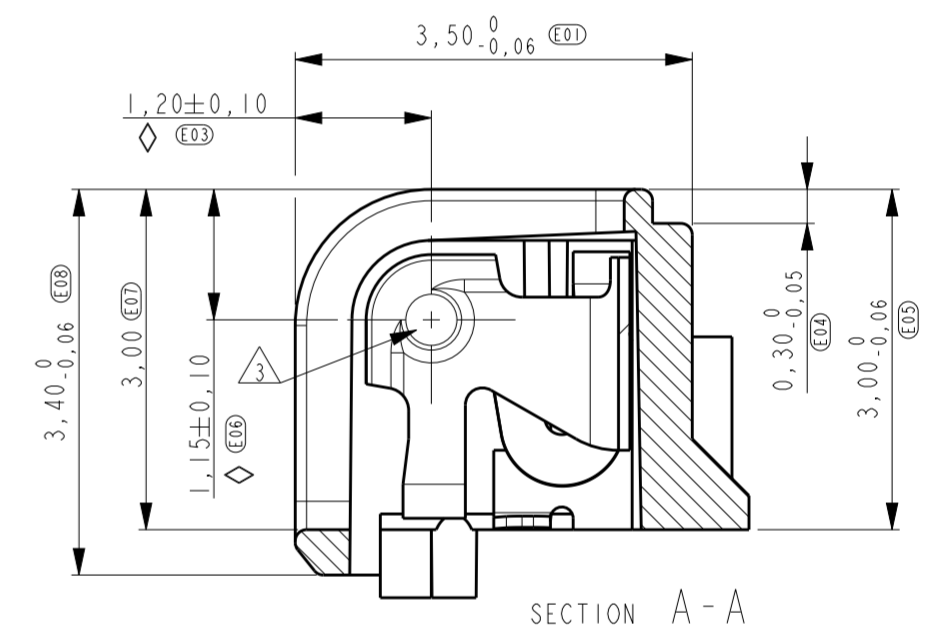
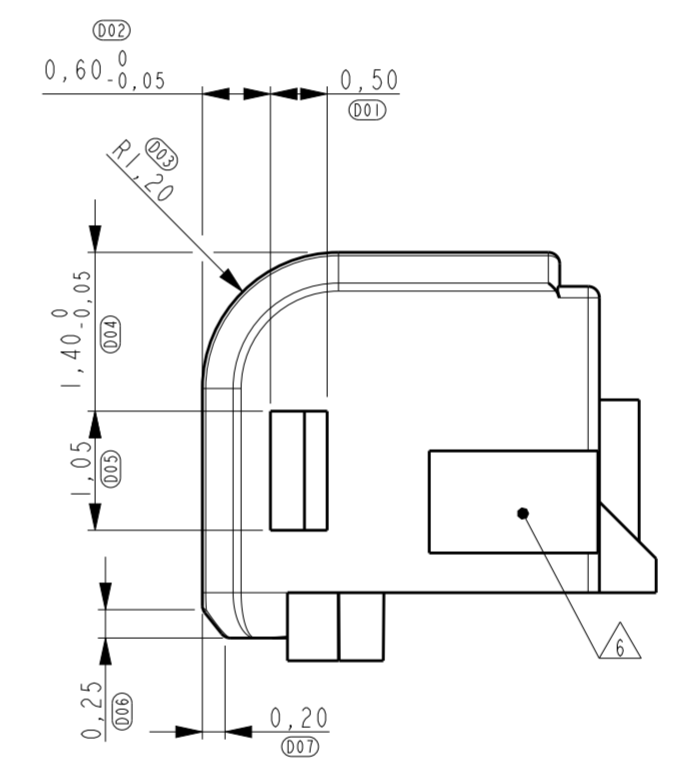
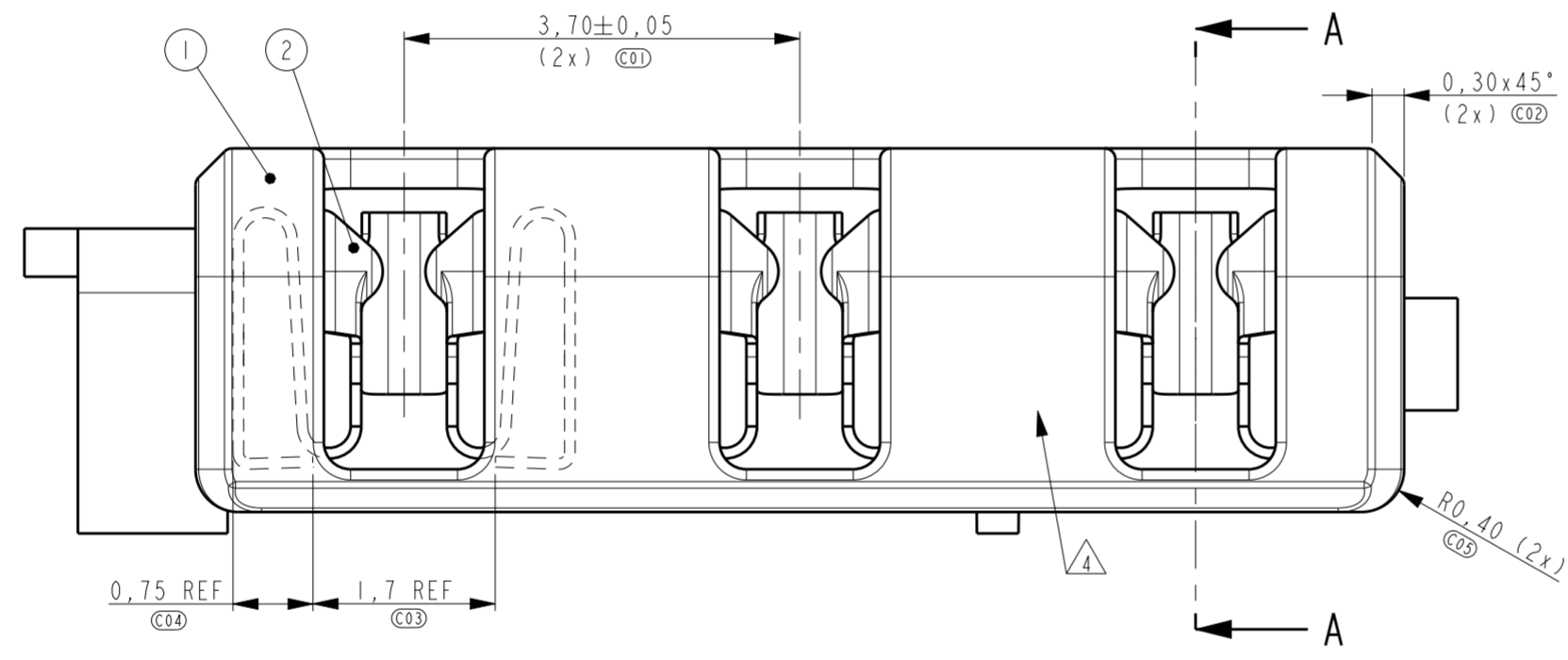
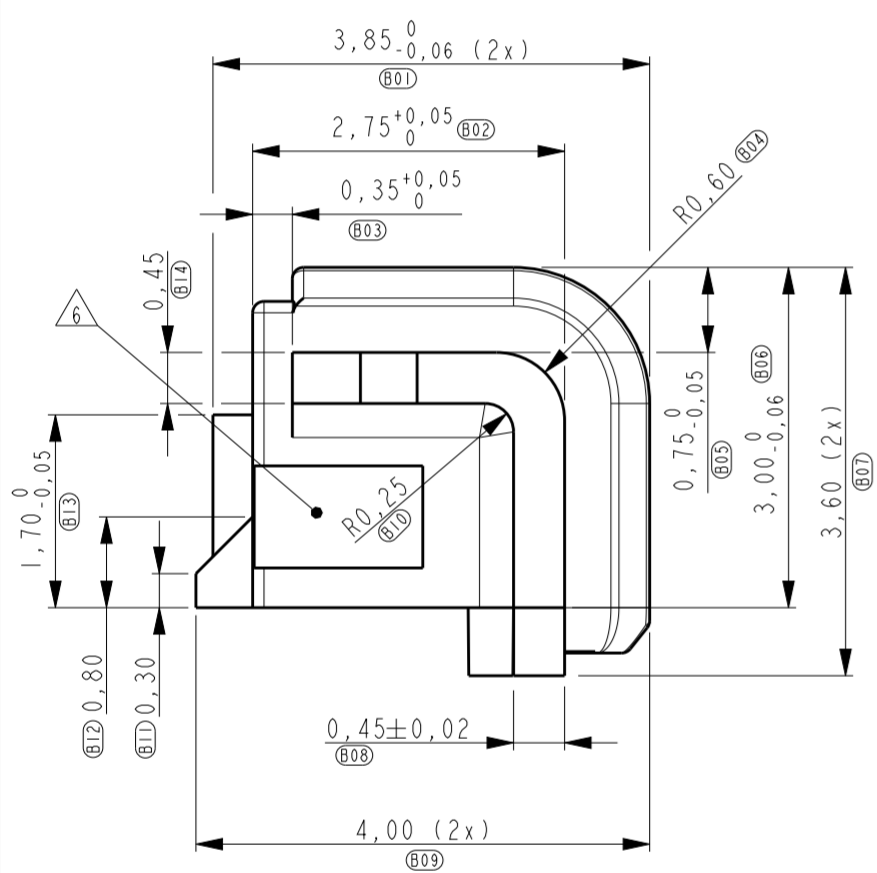


THIS DRAWING IS UNPUBLISHED. RELEASED FOR PUBLICATION
 © COPYRIGHT - BY - ALL RIGHTS RESERVED.

LOC		DIST		REVISIONS			
P	LTR	DESCRIPTION	DATE	DWN	APVD		
B		ECR-13-000236	07JAN2013	PW	DH		
C		ECR-13-001863	12MAR2013	PW	DH		
CI		ECO-18-012432	28AUG2018	K.G	W.H		



- NOTES:
- PART NUMBER 2173089-1.
 - DRAWING REPRESENTS PART VERSION "V7".
 - PLATING:
 - 1.2 μm MIN. NICKEL ALL OVER
 - 0.8 μm MIN. GOLD ON CONTACT POINTS
 - 3.0 μm MIN. TIN ON SOLDER AREA
 - SURFACE TEXTURE Ra 1.9 μm (TOOL TEXTURE SPARK ERODED ACCORDING TO VDI 3400-24/27) COLOUR: BLACK (PANTONE 3U2X).
 - MARKING: RECESSED MOLD CAVITY ID.
 - MARKING: RECESSED INJECTION GATE.
 - MARKING: VERSION (VX), PROCESS ID (##), PRODUCTION DATE (YYMMDDX).
 - COPLANARITY 0.08 MAX, ALL CONTACTS AND HOUSING.



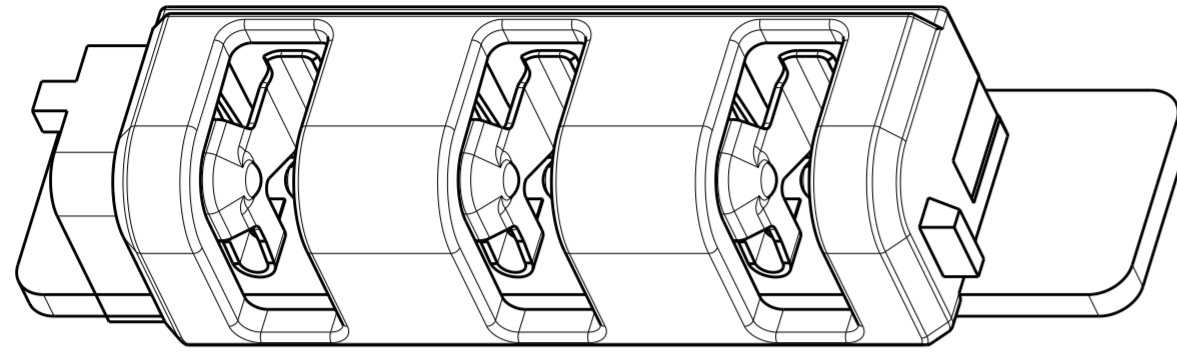
OBSOLETE

ITEM NO.	DESCRIPTION	MATERIAL	FINISH
2	CONTACT	COPPER ALLOY	GOLD PLATED
1	HOUSING	LCP, 30% GF	

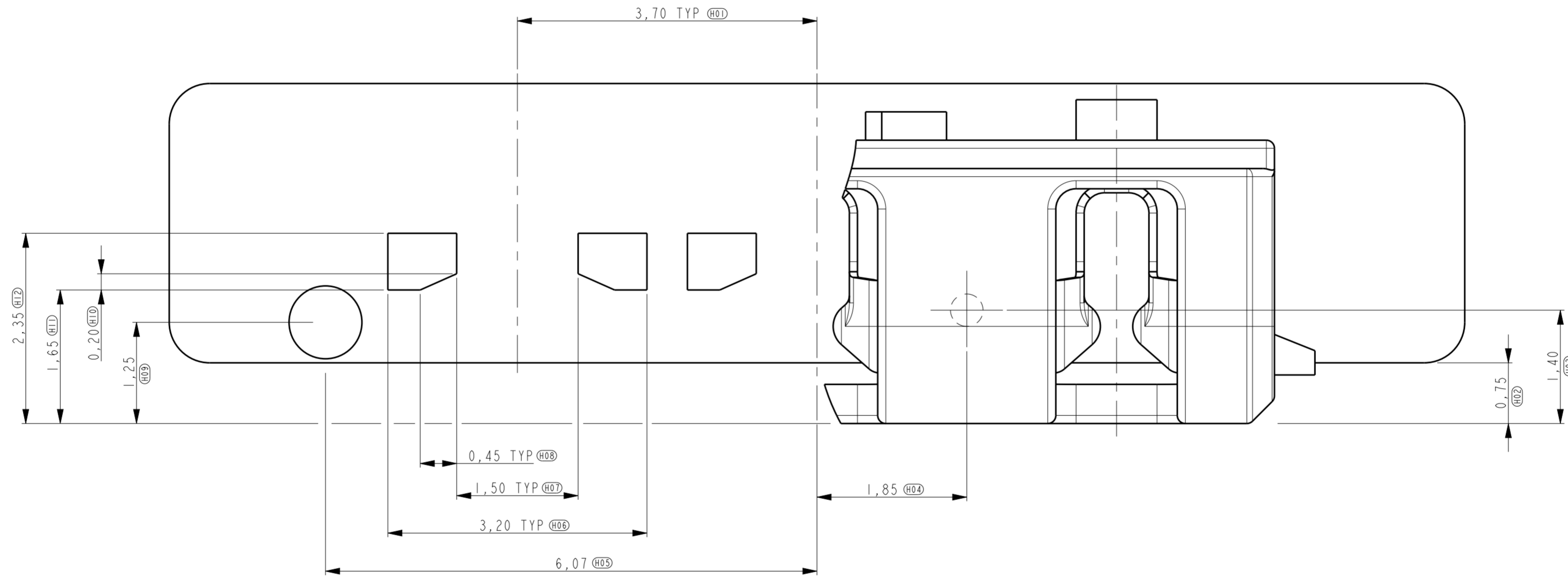
THIS DRAWING IS A CONTROLLED DOCUMENT.		DWN P.Willems 14APR2011		TE Connectivity	
DIMENSIONS: mm		CHK M.Gosselink 14APR2011		NAME	
TOLERANCES UNLESS OTHERWISE SPECIFIED:		APVD D.Halberstadt 14APR2011		RECEPTACLE CONNECTOR	
0 PLC	±0.2	PRODUCT SPEC		3 POSITION, SMD	
1 PLC	±0.1	APPLICATION SPEC		BATTERY BLOCK	
2 PLC	±0.05	WEIGHT		SIZE CAGE CODE DRAWING NO	
3 PLC	±	Customer Drawing		A2 00779 C-2173089	
4 PLC	±	SCALE 15:1		SHEET 1 OF 3	
ANGLES	±	REV C1			
FINISH	±				

THIS DRAWING IS UNPUBLISHED. RELEASED FOR PUBLICATION
 © COPYRIGHT - BY - ALL RIGHTS RESERVED.

LOC	DIST	REVISIONS					
H	-	P	LTR	DESCRIPTION	DATE	DWN	APVD
		-		SEE SHEET 1	-	-	-



SCALE 10:1



PWB LAYOUT
 (AREA UNDER CONNECTOR FREE OF SOLDER SCREEN)

OBSOLETE

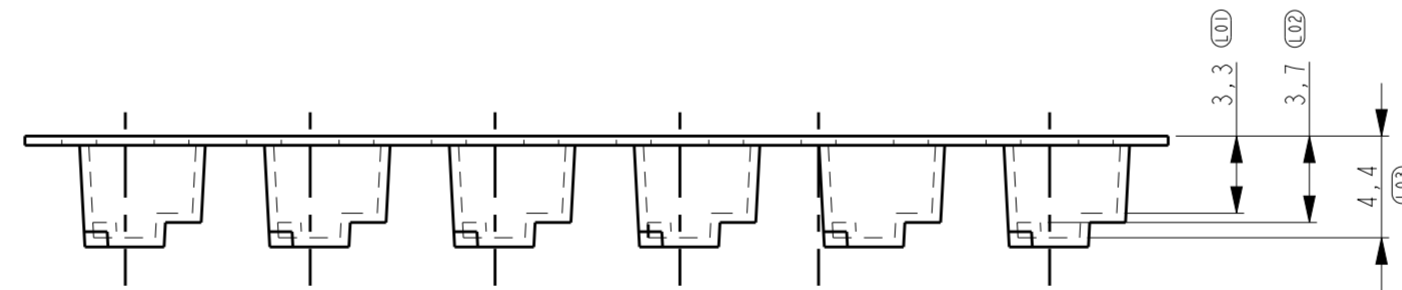
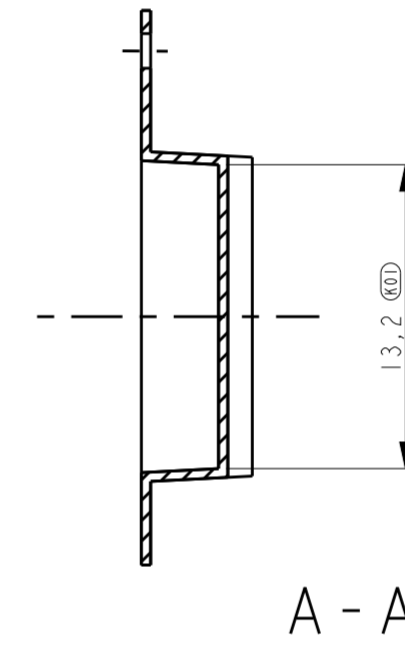
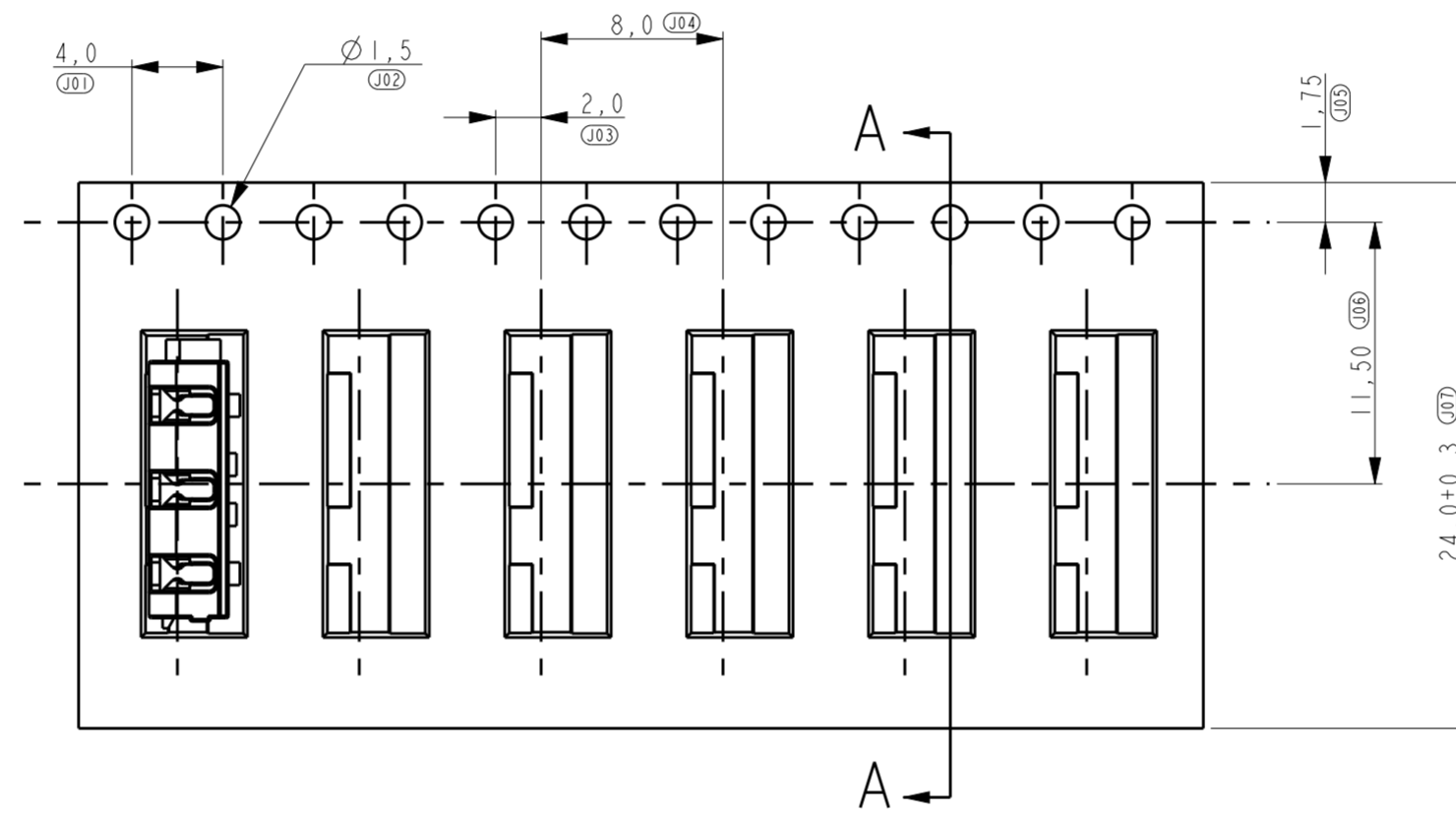
THIS DRAWING IS A CONTROLLED DOCUMENT.		DWN P. Willems 14APR2011	TE Connectivity	
DIMENSIONS: mm		CHK M. Gosselink 14APR2011		
TOLERANCES UNLESS OTHERWISE SPECIFIED:		APVD D. Halberstadt 14APR2011	NAME RECEPTACLE CONNECTOR 3 POSITION, SMD BATTERY BLOCK	
0 PLC ±0,2 1 PLC ±0,1 2 PLC ±0,05 3 PLC ± 4 PLC ± ANGLES ± FINISH ±		PRODUCT SPEC 108-19276	SIZE A2	CAGE CODE 00779
MATERIAL		APPLICATION SPEC	DRAWING NO C-2173089	RESTRICTED TO
		WEIGHT	SCALE 15:1 SHEET 2 OF 3 REV C1	
		Customer Drawing		

THIS DRAWING IS UNPUBLISHED. RELEASED FOR PUBLICATION
 © COPYRIGHT - BY - ALL RIGHTS RESERVED.

LOC	DIST	REVISIONS					
H	-	P	LTR	DESCRIPTION	DATE	DWN	APVD
		-		SEE SHEET 1	-	-	-


NOTES:

- REEL DIMENSION: 330x90x24.4
- QTY PER REEL: 1700PCS



USER UNREEL DIRECTION →

OBSOLETE

THIS DRAWING IS A CONTROLLED DOCUMENT.		DWN P. Willems 14APR2011	 TE Connectivity	
DIMENSIONS: mm		CHK M. Gosselink 14APR2011		
TOLERANCES UNLESS OTHERWISE SPECIFIED:		APVD D. Halberstadt 14APR2011	NAME RECEPTACLE CONNECTOR 3 POSITION, SMD BATTERY BLOCK	
0 PLC ±0,2 1 PLC ±0,1 2 PLC ±0,05 3 PLC ± 4 PLC ± ANGLES ± FINISH		PRODUCT SPEC 108-19276	SIZE A2	CAGE CODE 00779
MATERIAL		APPLICATION SPEC	DRAWING NO C-2173089	RESTRICTED TO
		WEIGHT	SCALE 15:1 SHEET 3 OF 3 REV C1	
		Customer Drawing		