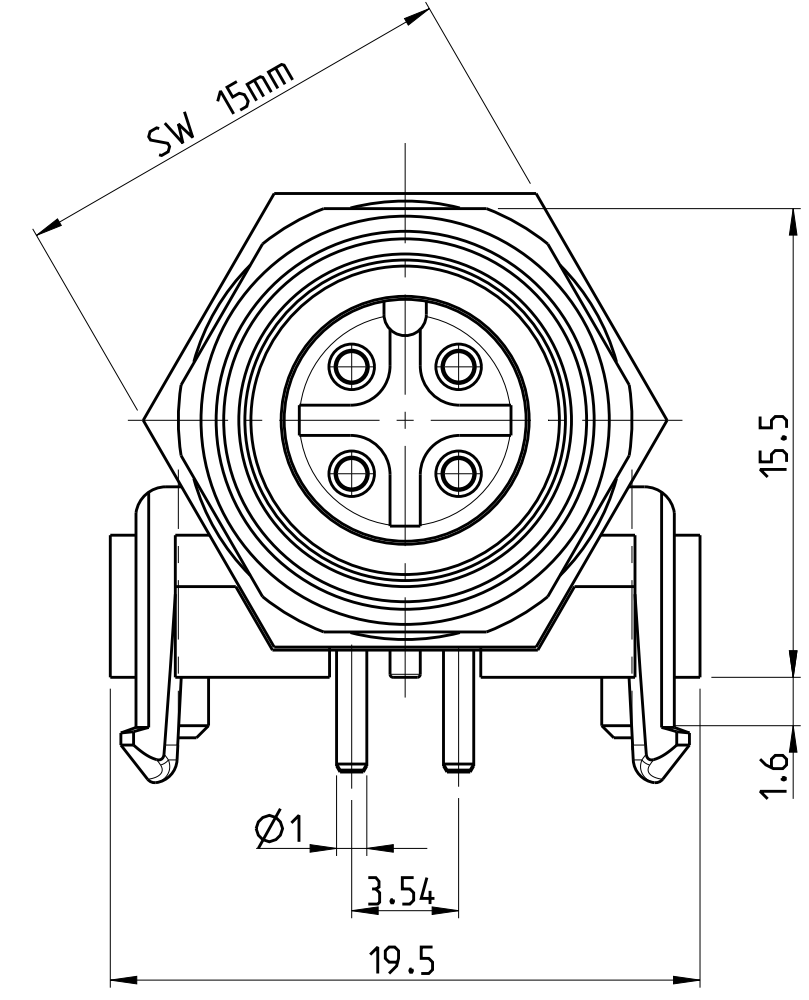
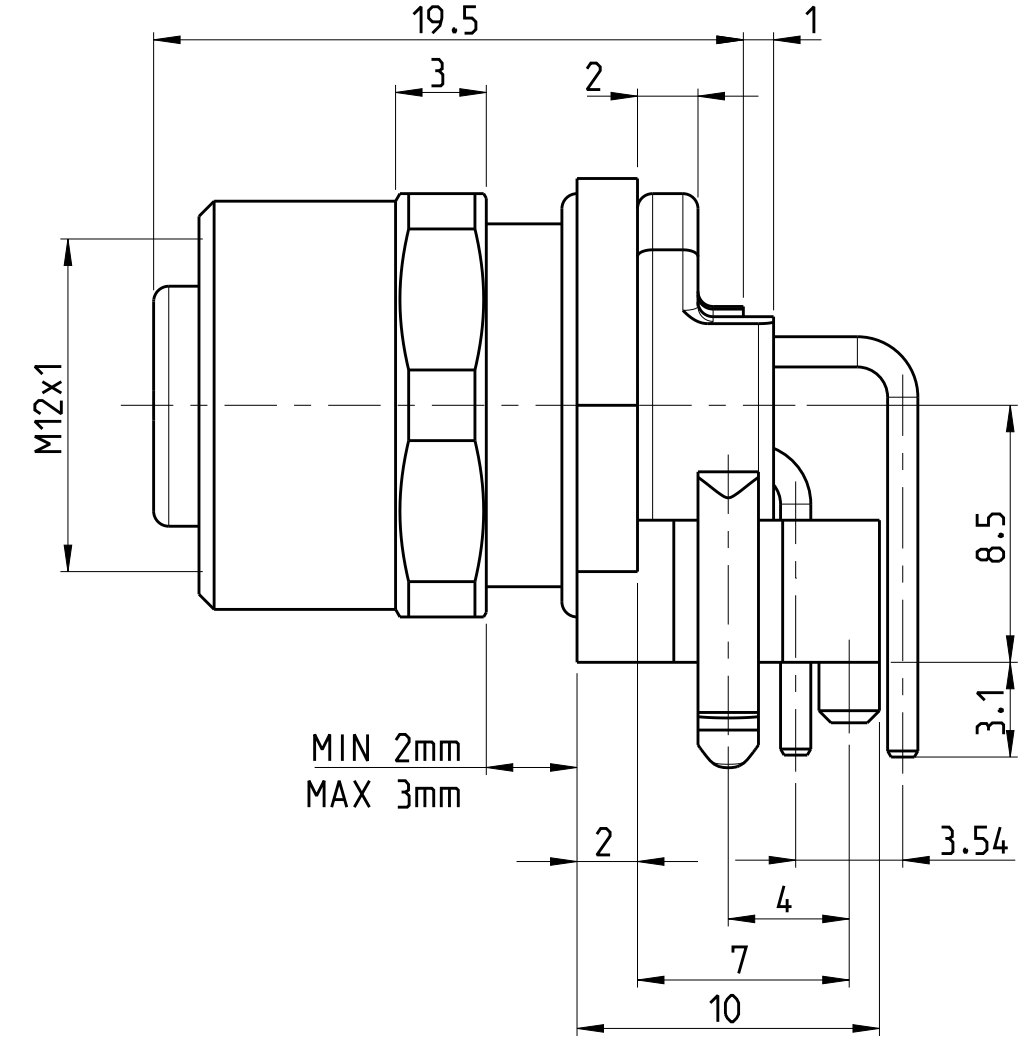
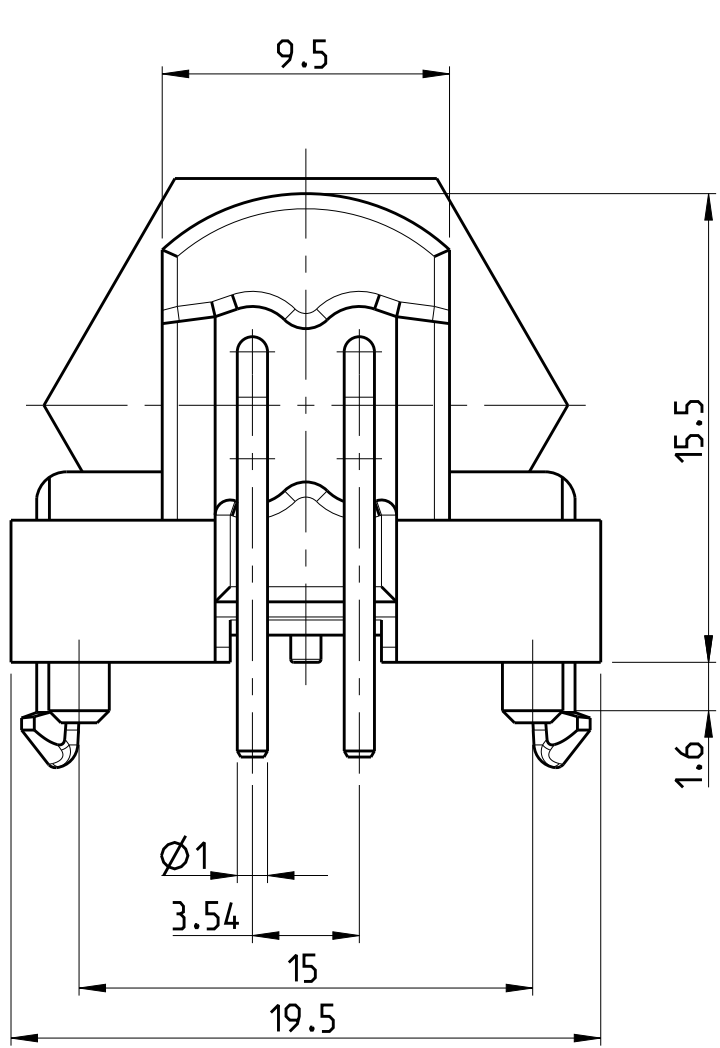


THIS DRAWING IS UNPUBLISHED. VERTRÄULICHE UNVERÖFFENTLICHTE ZEICHNUNG. RELEASED FOR PUBLICATION FREI FÜR VERÖFFENTLICHUNG. 2014. MATED WITH: PASSEND ZU: 2014. COPYRIGHT 2014. Tyco Electronics AMP GmbH. ALL RIGHTS RESERVED. ALLE RECHTE VORBEHALTEN.

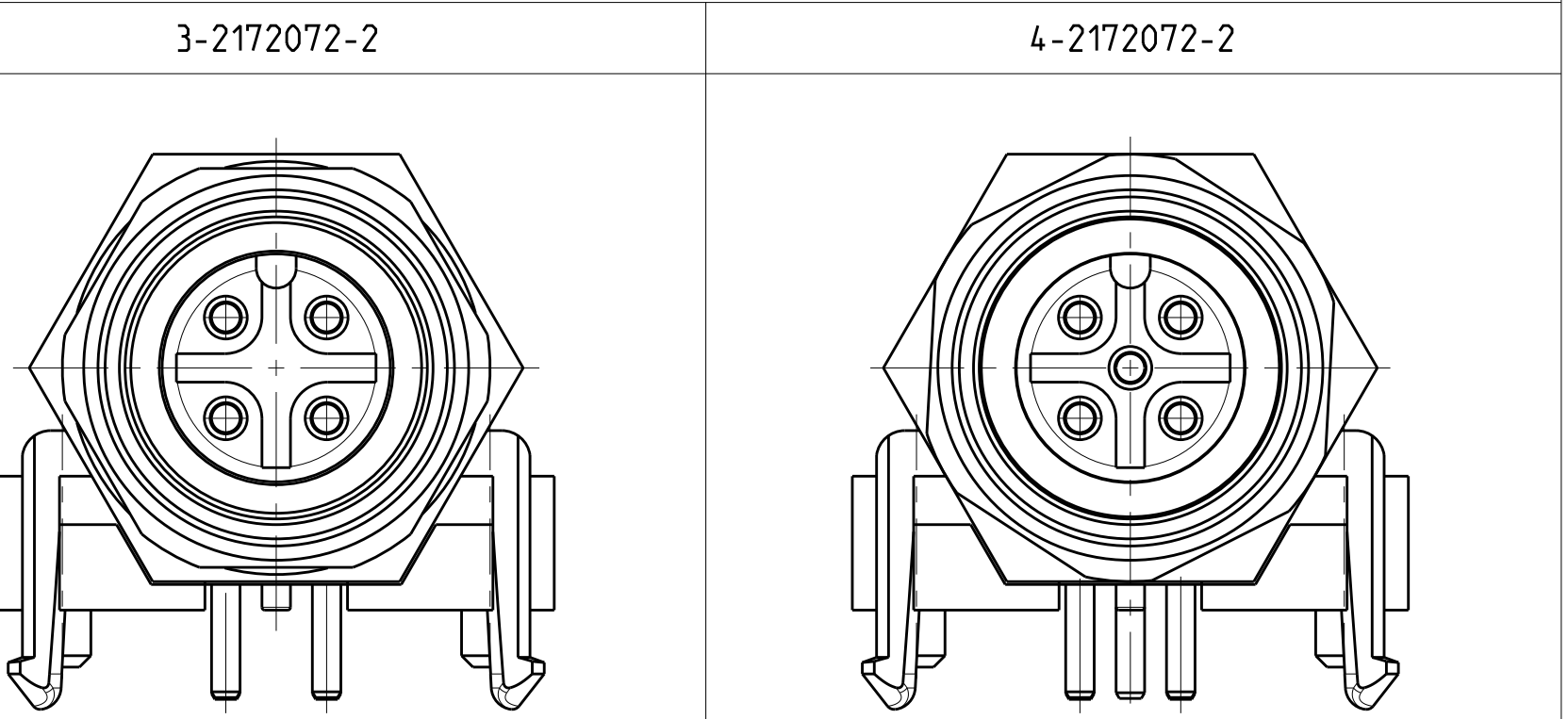
PROJEKT NR.: PRJ-11-000004377

REVISIONS		DATE	DWN	APVD
ÄNDERUNGEN				
P	LTR	DESCRIPTION		
BESCHREIBUNG				
A		NEW RELEASE	28NOV2014	CR JK
A1		PN 3-2172072-2 DISCONTINUED	27OCT2017	TJ NG



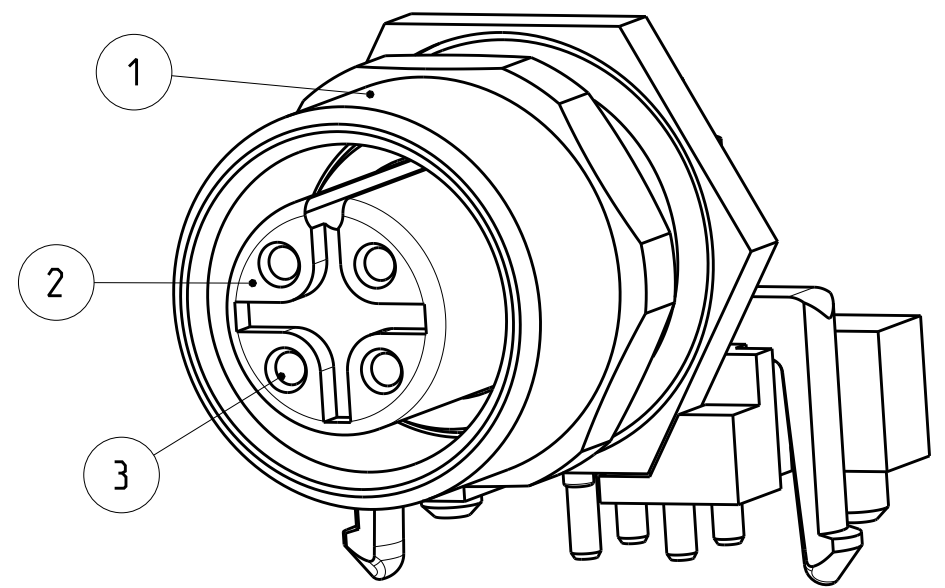
TECHNICAL DATA	3-2172072-2	4-2172072-2
	RATED VOLTAGE	250V
RATED IMPULSE VOLTAGE	2500V	1500V
POLLUTION DEGREE	3	3
OVERVOLTAGE CATEGORY	II	II
MATERIAL GROUP	III	III
RATED CURRENT	4A	4A
VOLUME RESISTIVITY	≤ 3mΩ	≤ 3mΩ
DEGREE OF PROTECTION	IP68	IP68
UPPER TEMPERATURE	+85 °C	+85 °C
LOWER TEMPERATURE	-40 °C	+40 °C

PIN ARRANGEMENT A-CODING

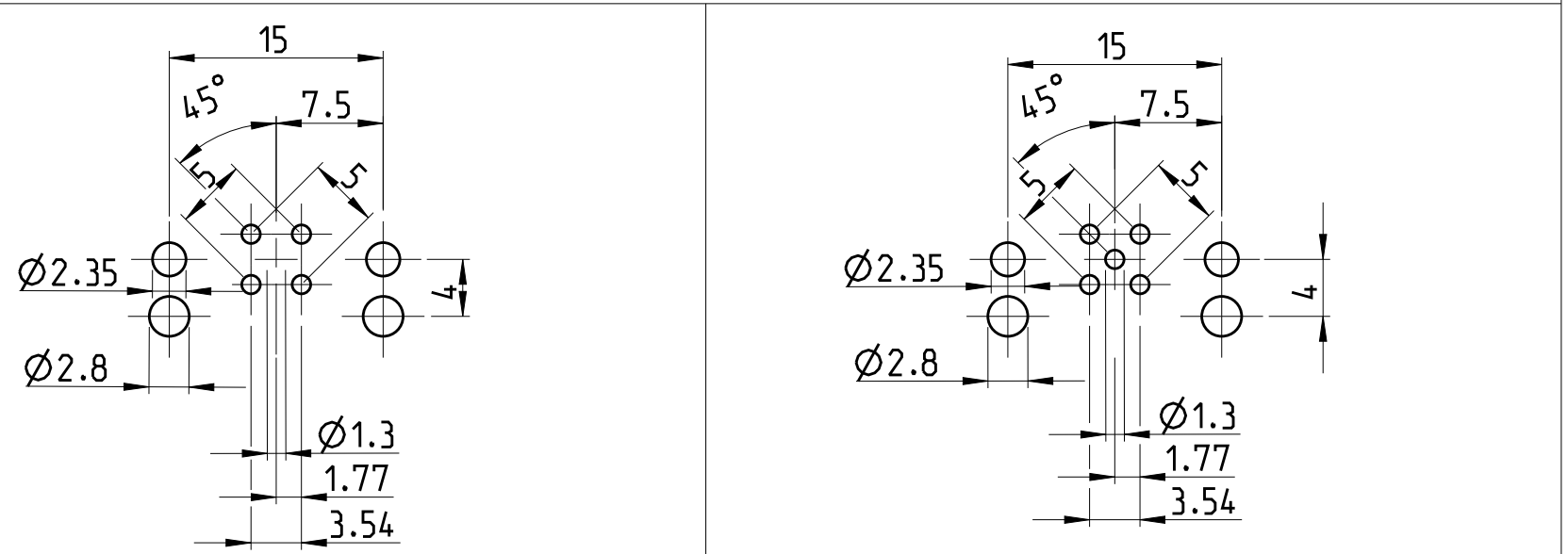


1 MATERIAL: ITEM NO. 1: HOUSING - CuZn (BRASS NICKEL PLATED)  
 ITEM NO. 2: CONTACT BODY - PA  
 ITEM NO. 3: CONTACT - CuSn (BRONZE)  
 CONTACT FINISH - Au (GOLD)

2 ALL DIMENSIONS ARE FOR NOMINAL REFERENCE ONLY UNLESS OTHERWISE STATED



CONDUCTOR LAYOUT



SIZE ISO 14405 (E)

DIESE ZEICHNUNG IST EIN KONTROLLIERTES DOKUMENT. BEMASSUNGEN UND TOLERANZEN GEMAESS GPS (ISO STANDARDS).

THIS DRAWING IS A CONTROLLED DOCUMENT. DIMENSIONING AND TOLERANCING PER GPS (ISO STANDARDS).

DIMENSIONS: MASSE/WEITEN: (MM)	TOLERANCES UNLESS OTHERWISE SPECIFIED: ALLGEMEINTOLERANZEN	DWN YASHKUMAR 25 JUL 2014
		CHK M. BRUBAKER 25 JUL 2014
		APVD M. BRUBAKER 25 JUL 2014
		NAME M. BRUBAKER
		PRODUCT SPEC 108-19483
		APPLICATION SPEC 114-32127
MATERIAL		WEIGHT -
		Customer Drawing

OBSELETE	5	4-2172072-2
	4	3-2172072-2
MATERIAL	NUMBER OF POLES	TE-PART-NO.



M12 RECEPTACLE CONNECTOR, PCB ASSEMBLY, ANGLED, A CODING

SIZE A2	CAGE CODE 00779	DRAWING NO. ZEICHNUNGS-NR. C-2172072	RESTRICTED TO NUR FÜR -
SCALE MASSSTAB 4:1	SHEET BLATT 1	OF VON 1	REV A1