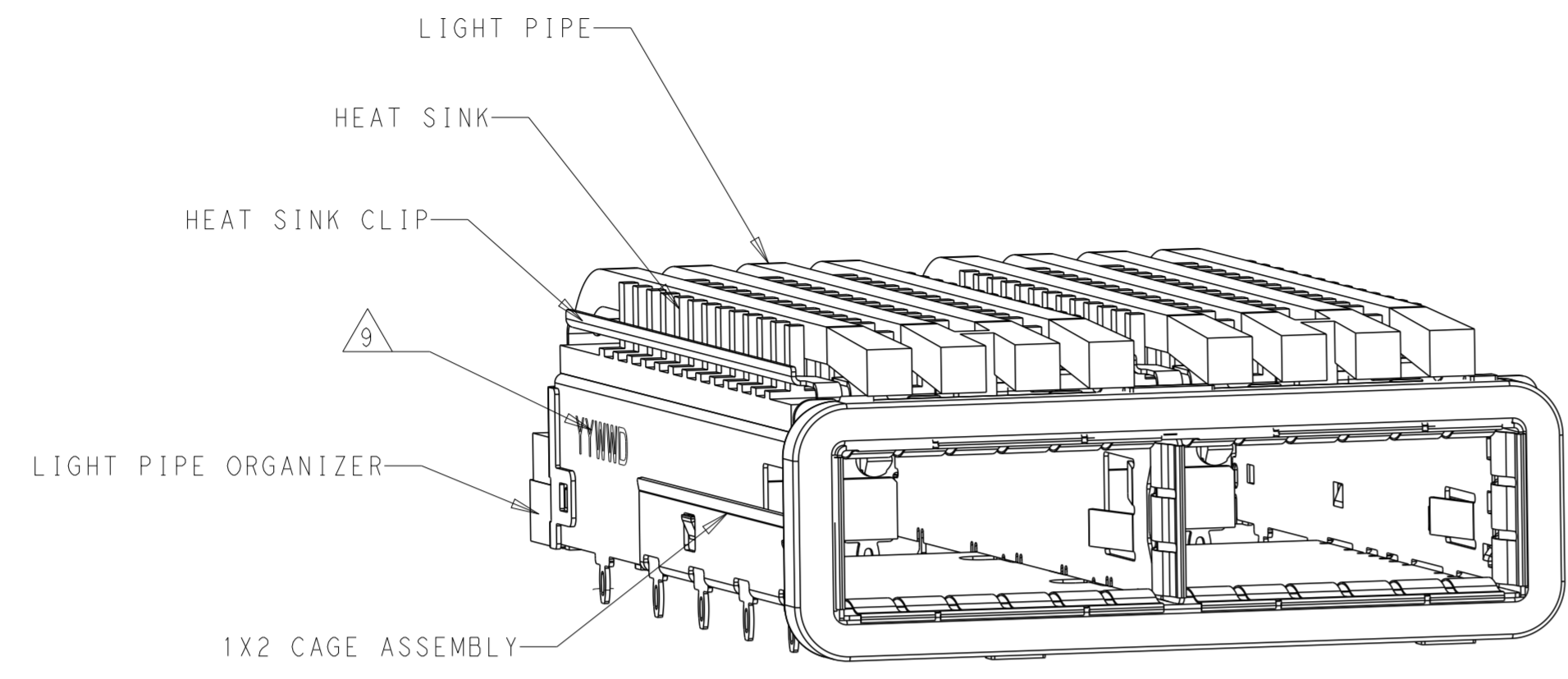


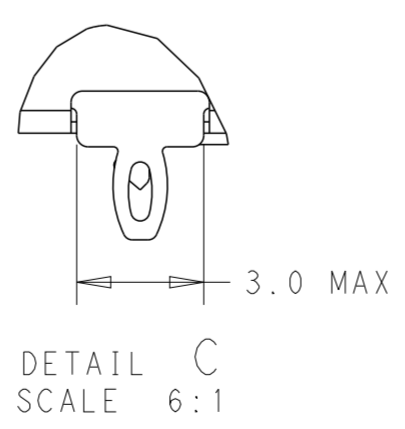
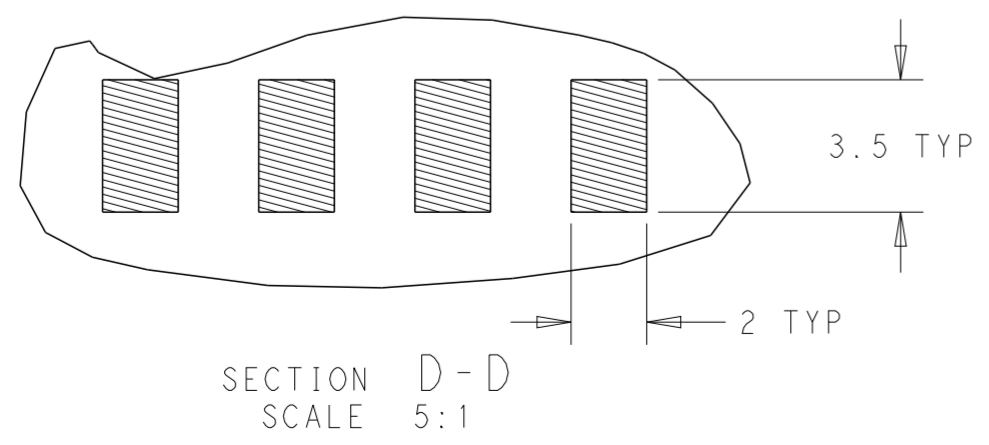
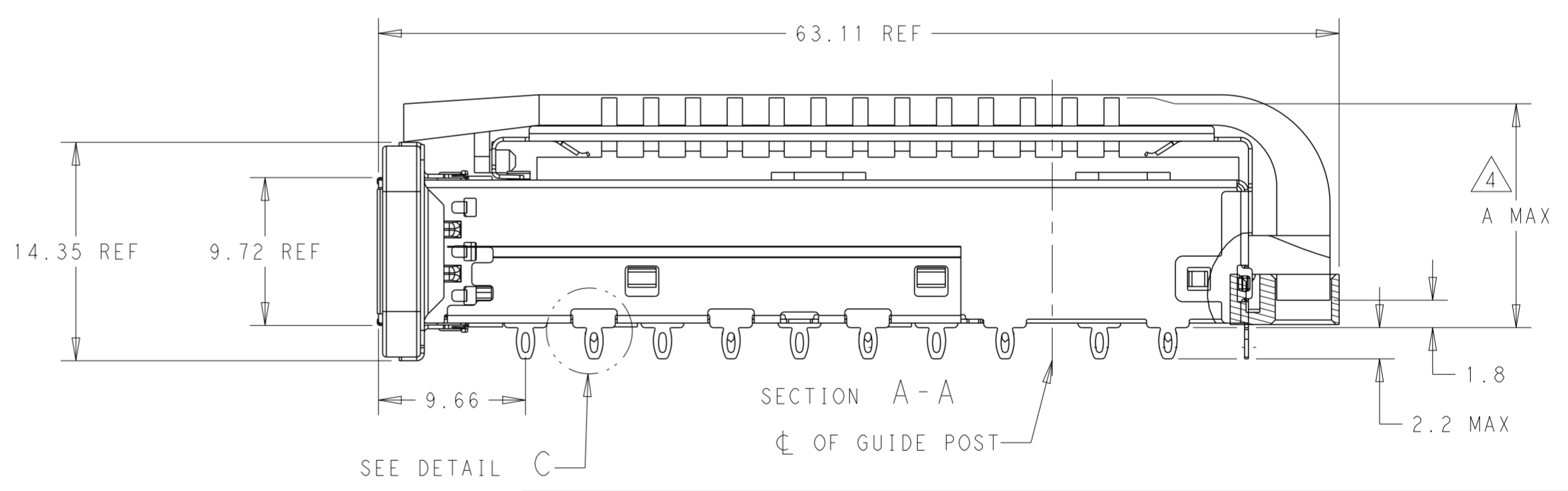
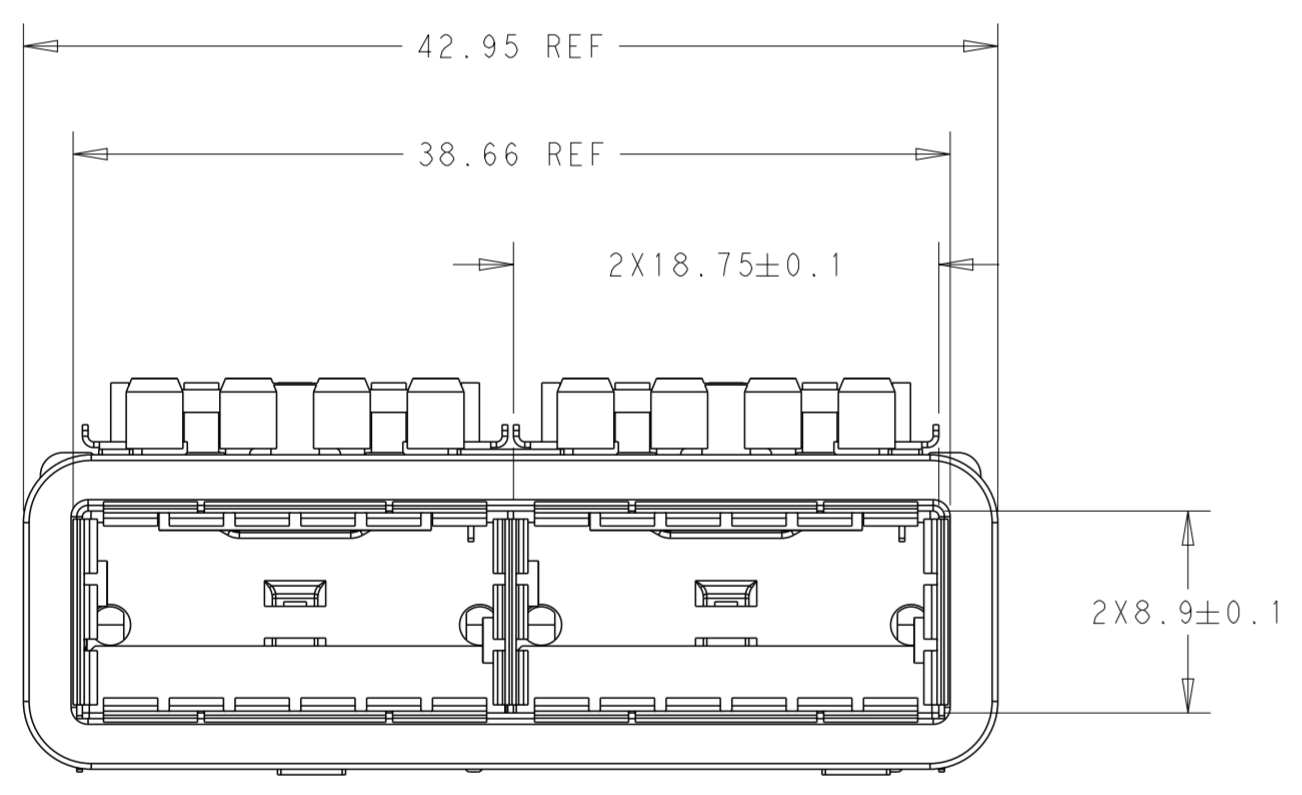
THIS DRAWING IS UNPUBLISHED. RELEASED FOR PUBLICATION 20
 © COPYRIGHT 20 BY - ALL RIGHTS RESERVED.

LOC		DIST		REVISIONS			
P	LTR	DESCRIPTION	DATE	DWN	APVD		
	A	RELEASE	09NOV2016	JY	SH		
	A1	REVISED PER ECN-22-163746	11JUL2022	IT	SZ		



PART NUMBER: 2170827-1

- COMPONENTS
 CAGE ASSEMBLY: NICKEL-SILVER ALLOY
 HEAT SINK: ALUMINUM/BLACK ANODIZE
 HEAT SINK CLIP: STAINLESS STEEL
 EMI SPRING: COPPER ALLOY/NICKEL PLATE
 LIGHT PIPE: CLEAR POLYCARBONATE
 EMI GASKET: PLATED FILLED SILICONE
- REFERENCE APPLICATION SPECIFICATION 114-32023 FOR RECOMMENDED DRILL HOLE DIAMETER AND PLATING THICKNESS
- DATUM AND BASIC DIMENSION ESTABLISHED BY CUSTOMER
- DIMENSION APPLIES WITH MODULE INSERTED IN CAGE
- HEAT SINKS, HEAT SINK CLIPS AND LIGHT PIPES ARE SHIPPED ASSEMBLED ON CAGE
- MINIMUM PC BOARD THICKNESS: SINGLE SIDED: 1.57 MIN
 DOUBLE SIDED: 3.00 MIN
- DATUM **-A-** IS TOP SURFACE OF THE HOST BOARD.
- MATES WITH QSFP28 MSA COMPATIBLE TRANSCEIVER.
- DATE CODE (YYWWD) MARKED APPROXIMATELY AS SHOWN.
- NOTED DIMENSIONS ONLY APPLY TO CAGE ASSEMBLY WITH LIGHT PIPE.

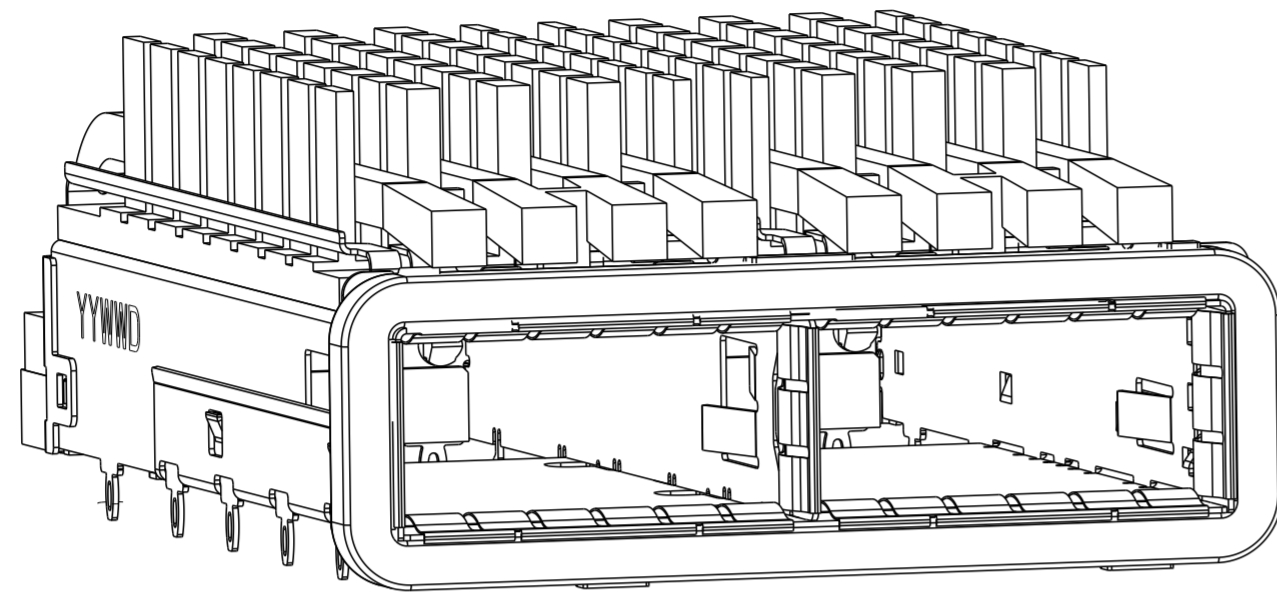


CUSTOMERIZED HEAT SINK	N	20.0	2170827-4
CUSTOMERIZED HEAT SINK	Y	20.0	2170827-3
SAN HEAT SINK	N	16.0	2170827-2
SAN HEAT SINK	Y	16.0	2170827-1
HEAT SINK APPLICATION ORGANIZER		DIM A MAX	P/N

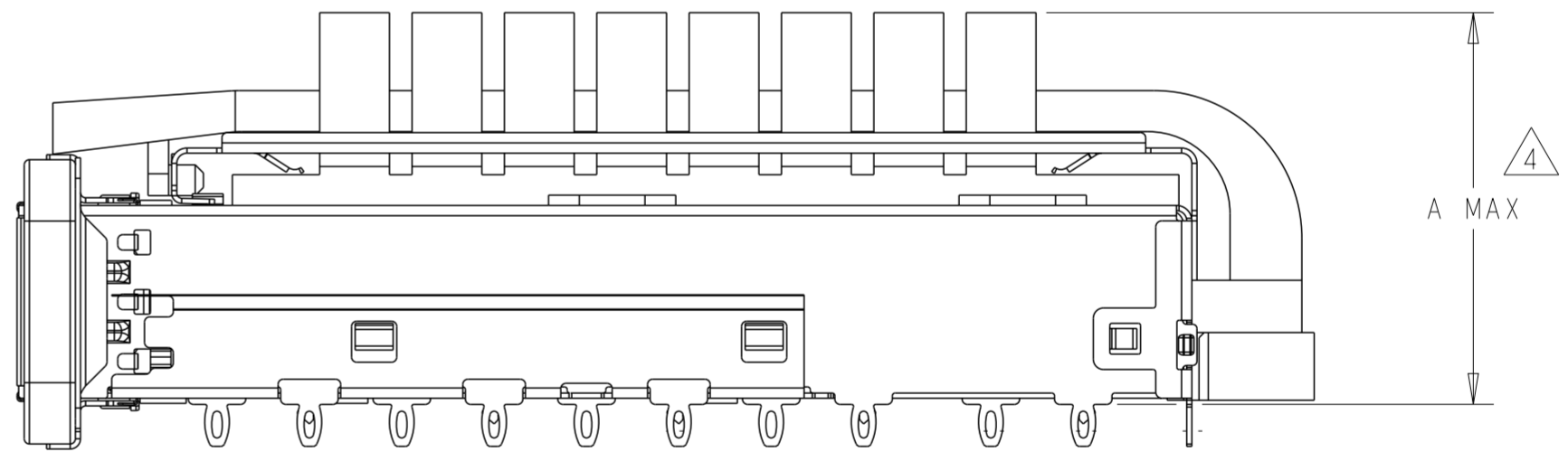
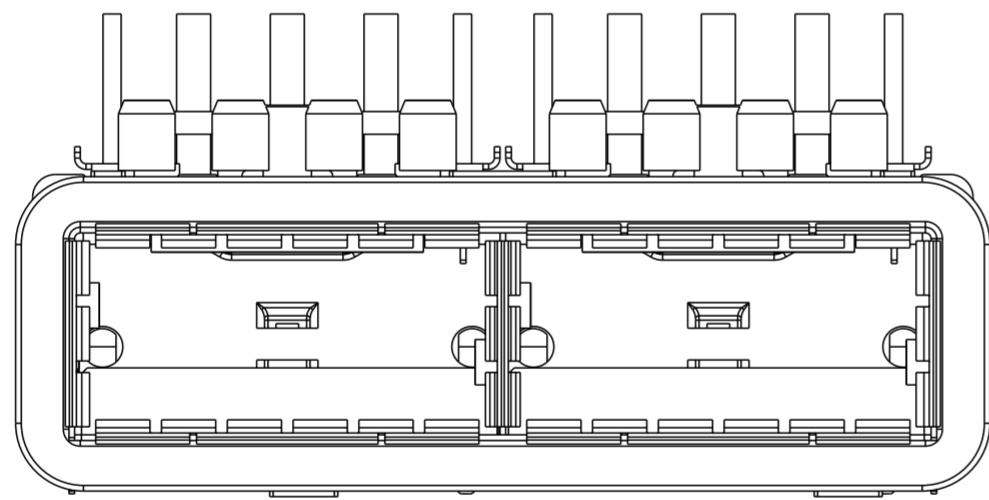
THIS DRAWING IS A CONTROLLED DOCUMENT.		DWN JASON YANG 02NOV2015	TE Connectivity
DIMENSIONS: mm		CHK SEAN HAN 02NOV2015	
TOLERANCES UNLESS OTHERWISE SPECIFIED:		APVD MARSHALL CHEN 02NOV2015	
0 PLC ± 1 PLC ±0.25 2 PLC ±0.2 3 PLC ± 4 PLC ± ANGLES ± FINISH ±		NAME RECEPTACLE CAGE ASSEMBLY WITH HEAT SINKS AND LIGHT PIPES, THRU BEZEL, 1X2, QSFP28, GASKET PRODUCT SPEC 108-19428 APPLICATION SPEC 114-32023 WEIGHT - CUSTOMER DRAWING	
MATERIAL SEE NOTES		SCALE 3:1	RESTRICTED TO
SEE NOTES		SIZE A2	SHEET 1 OF 8
		DRAWING NO C-2170827	REV A1

THIS DRAWING IS UNPUBLISHED. RELEASED FOR PUBLICATION 20
 © COPYRIGHT 20 BY - ALL RIGHTS RESERVED.


LOC	DIST	REVISIONS			
P	LTR	DESCRIPTION	DATE	DWN	APVD
rev_sym_1	16EW-8HBEI11		rev.date	rev.dwn	rev.appr
rev_sym_2	rev_desc_2		rev.date	rev.dwn	rev.appr
rev_sym_3	rev_desc_3		rev.date	rev.dwn	rev.appr
rev_sym_4	rev_desc_4		rev.date	rev.dwn	rev.appr



2170827-3 WITH CUSTOMIZED HEAT SINK
 SCALE 3:1

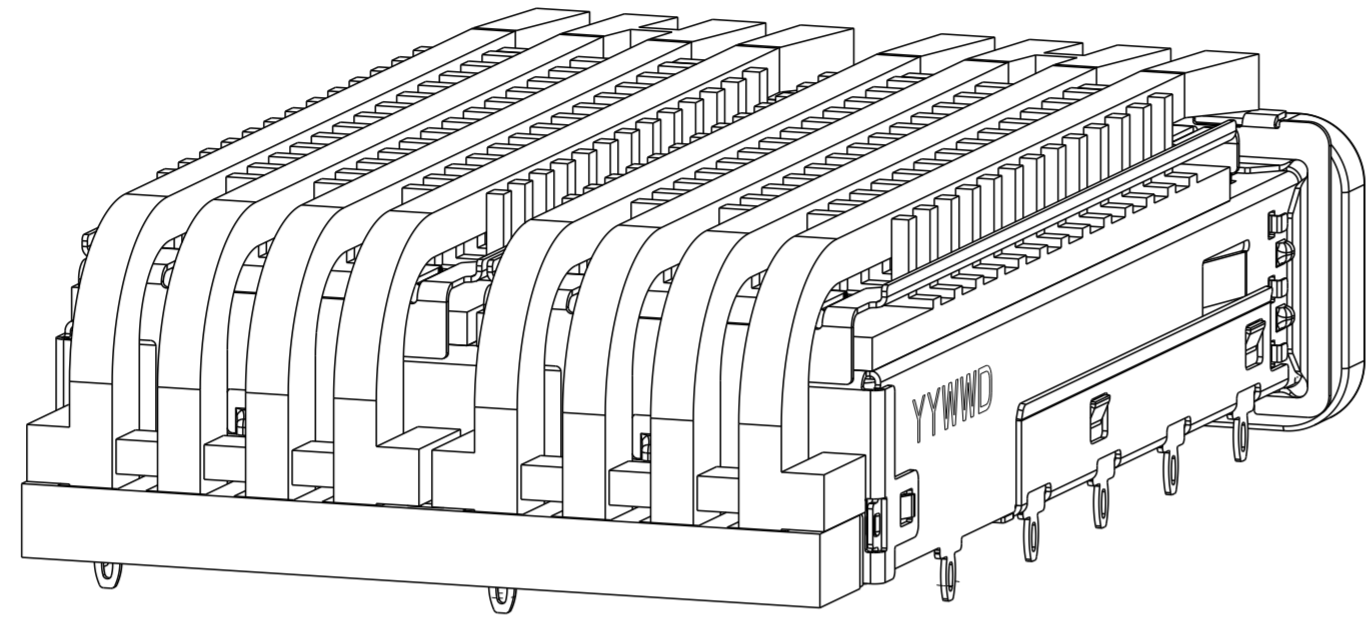


2170827-3 AS SHOWN
 OTHER DIMENSIONS ARE SAME AS 2170827-1

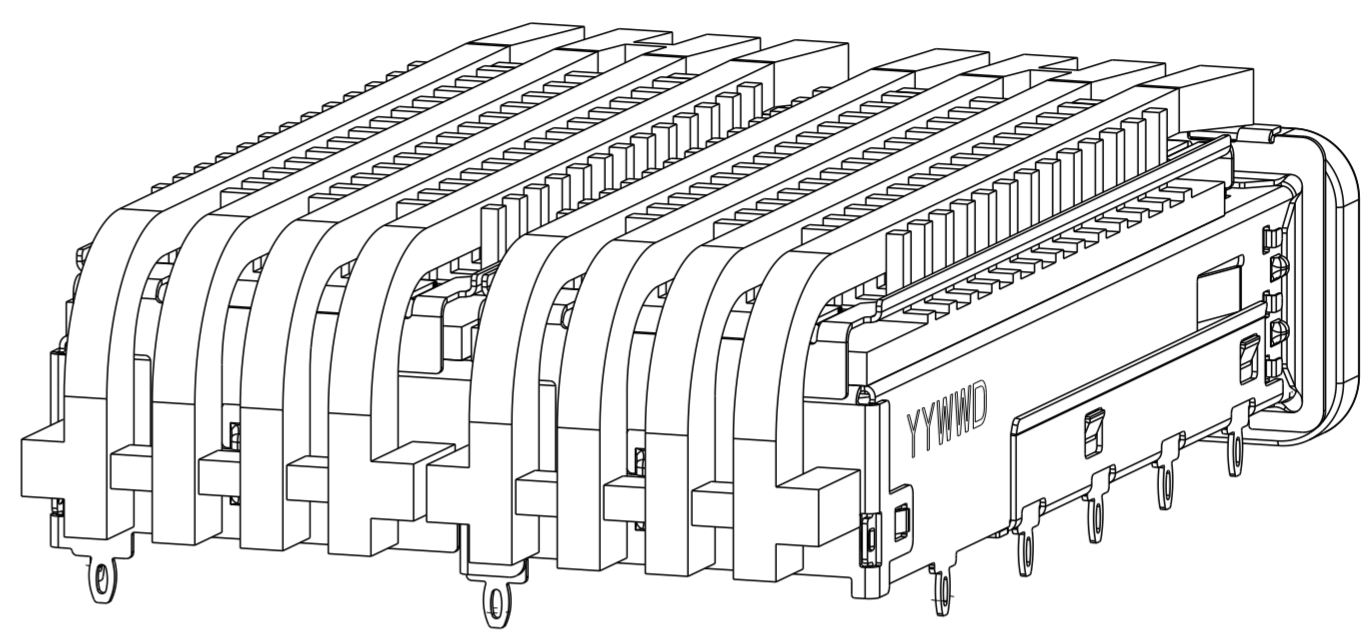
THIS DRAWING IS A CONTROLLED DOCUMENT.		DWN JASON YANG 02NOV2015	 TE Connectivity	
DIMENSIONS: mm		CHK SEAN HAN 02NOV2015		
TOLERANCES UNLESS OTHERWISE SPECIFIED:		APVD MARSHALL CHEN 02NOV2015	NAME RECEPTACLE CAGE ASSEMBLY WITH HEAT SINKS AND LIGHT PIPES, THRU BEZEL, 1X2, QSFP28, GASKET	
0 PLC ± 1 PLC ±0.25 2 PLC ±0.2 3 PLC ± 4 PLC ± ANGLES ±		PRODUCT SPEC 108-19428	SIZE A2	CAGE CODE 00779
MATERIAL SEE NOTES material_2	FINISH SEE NOTES finish_spec_2	APPLICATION SPEC 114-32023	DRAWING NO C-2170827	RESTRICTED TO -
CUSTOMER DRAWING		WEIGHT -	SCALE 3:1	SHEET 1 OF 8
				REV A1

THIS DRAWING IS UNPUBLISHED. RELEASED FOR PUBLICATION 20
 © COPYRIGHT 20 BY - ALL RIGHTS RESERVED.

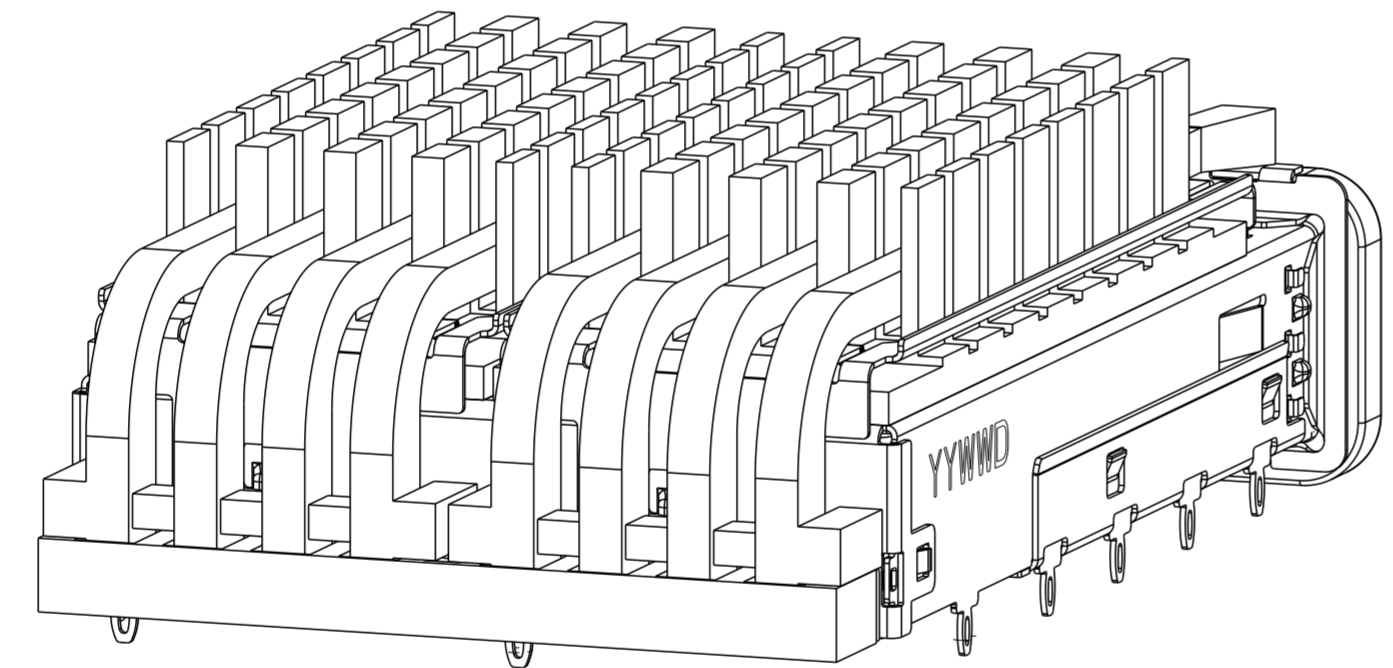
LOC		DIST		REVISIONS			
P	LTR	DESCRIPTION		DATE	DWN	APVD	
rev_sym_1	1666-8H6E11			rev.date	rev.dwn	rev.appr	1
rev_sym_2	rev_desc_2			rev.date	rev.dwn	rev.appr	2
rev_sym_3	rev_desc_3			rev.date	rev.dwn	rev.appr	3
rev_sym_4	rev_desc_4			rev.date	rev.dwn	rev.appr	4



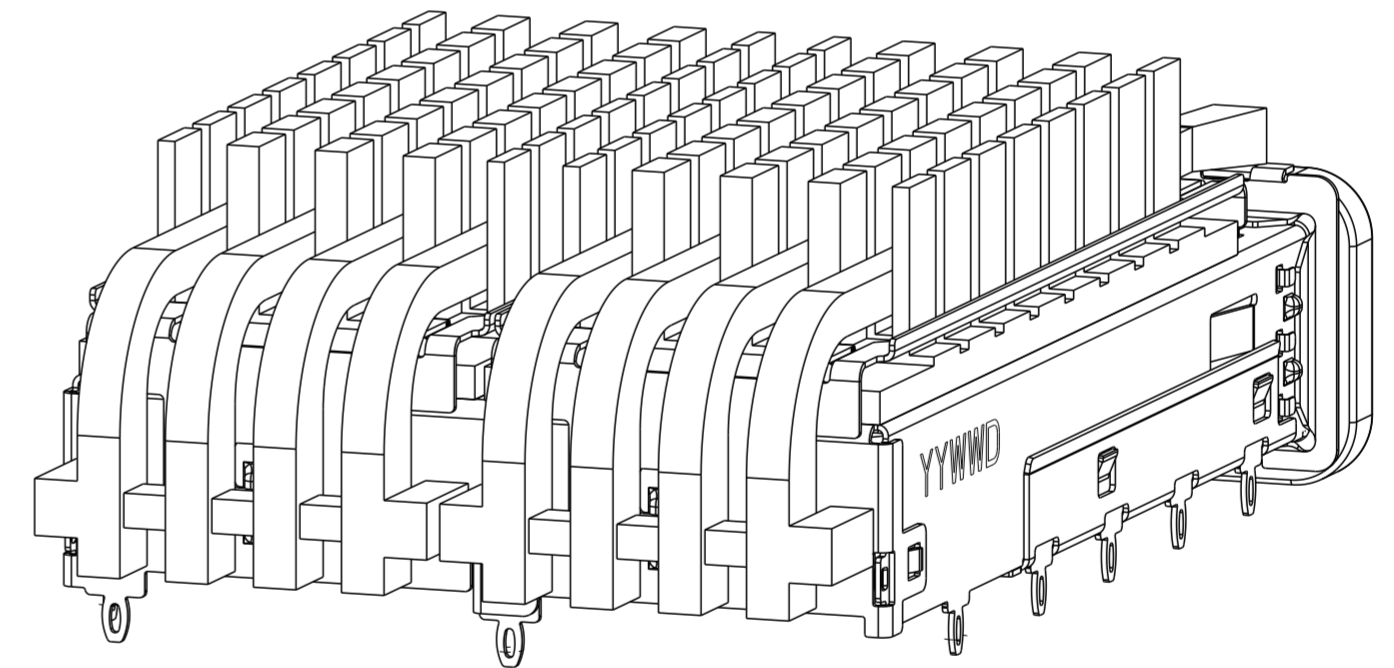
SCALE 3:1
2170827-1 AS SHOWN



SCALE 3:1
2170827-2 AS SHOWN



SCALE 3:1
2170827-3 AS SHOWN

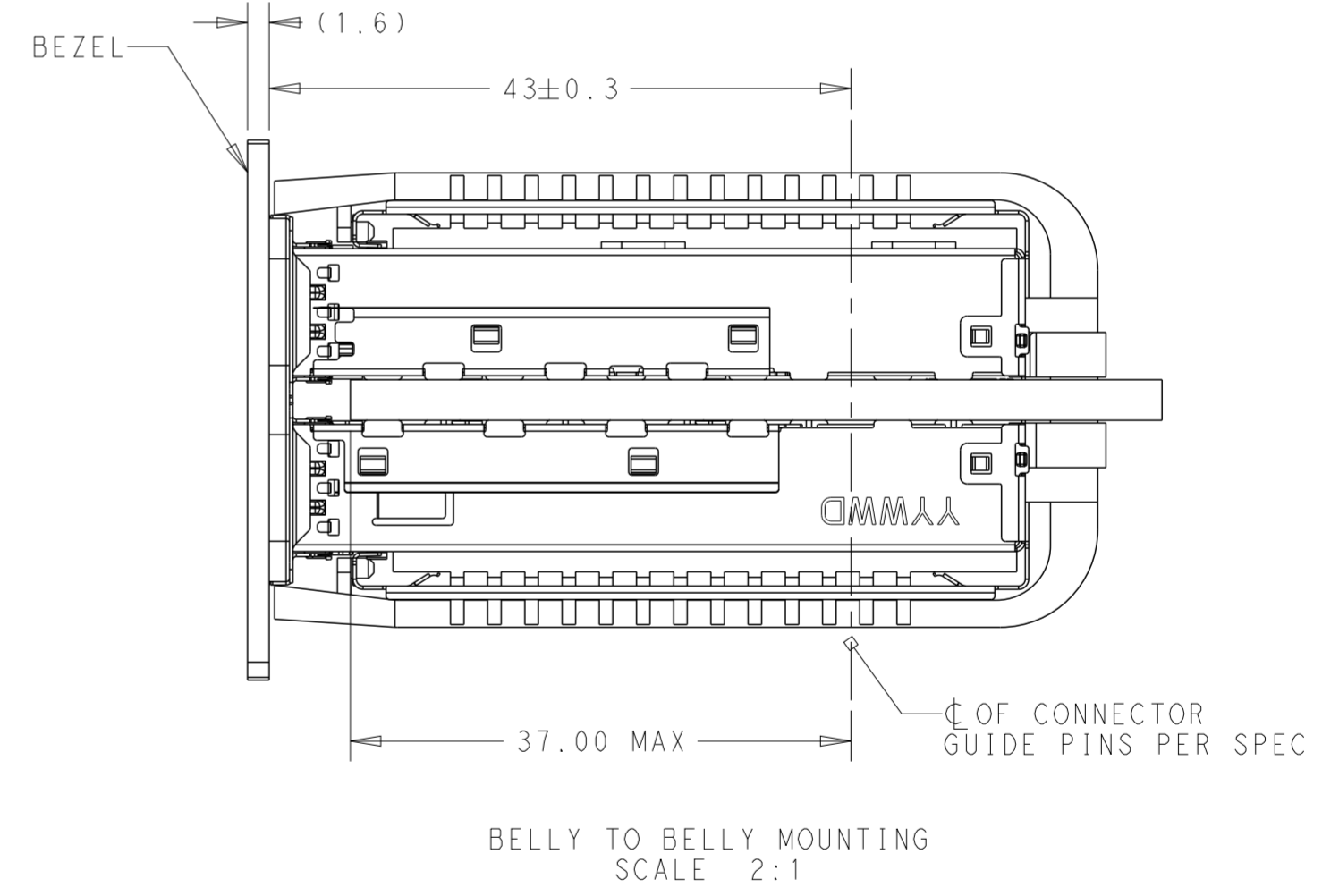
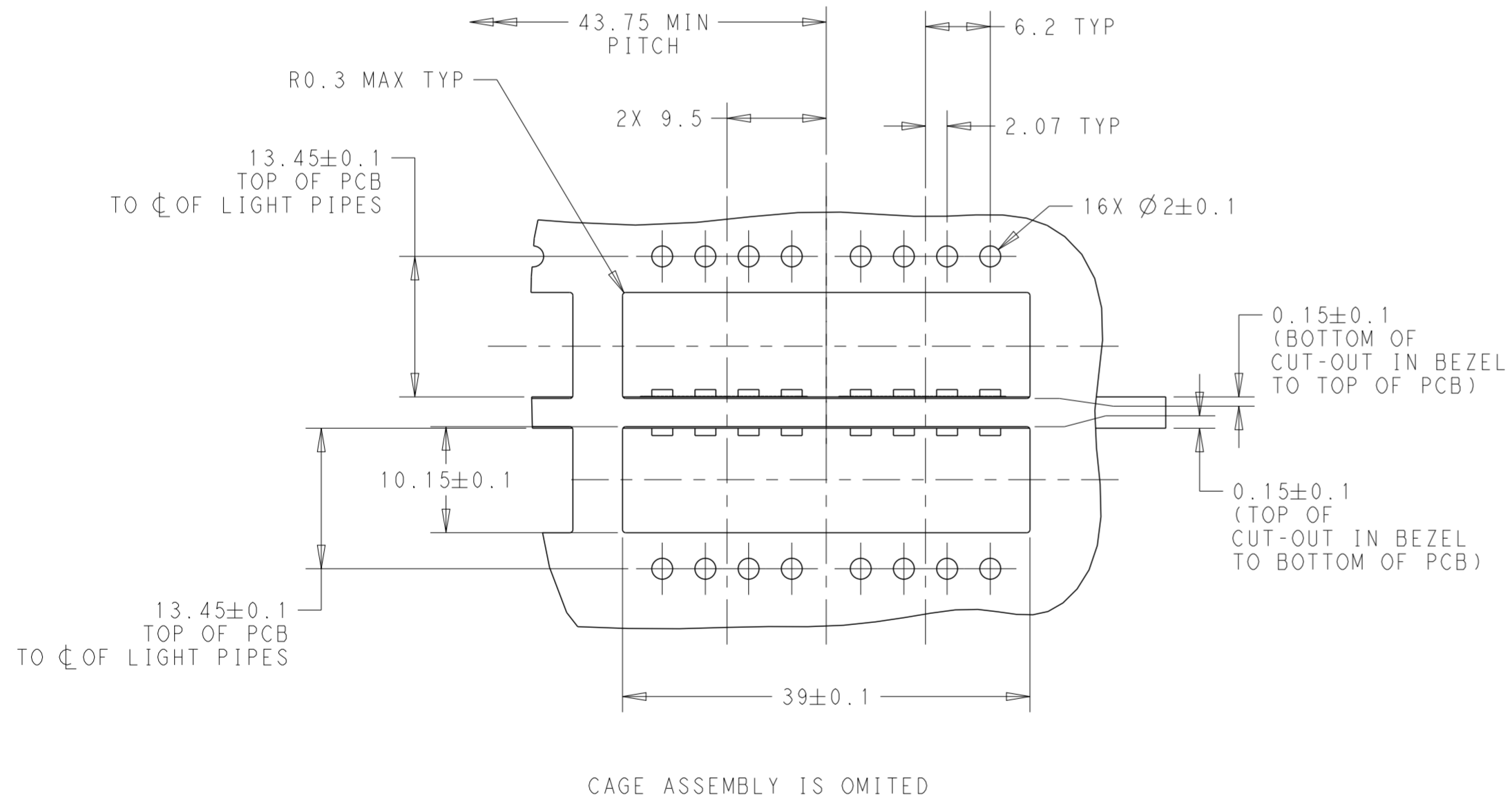
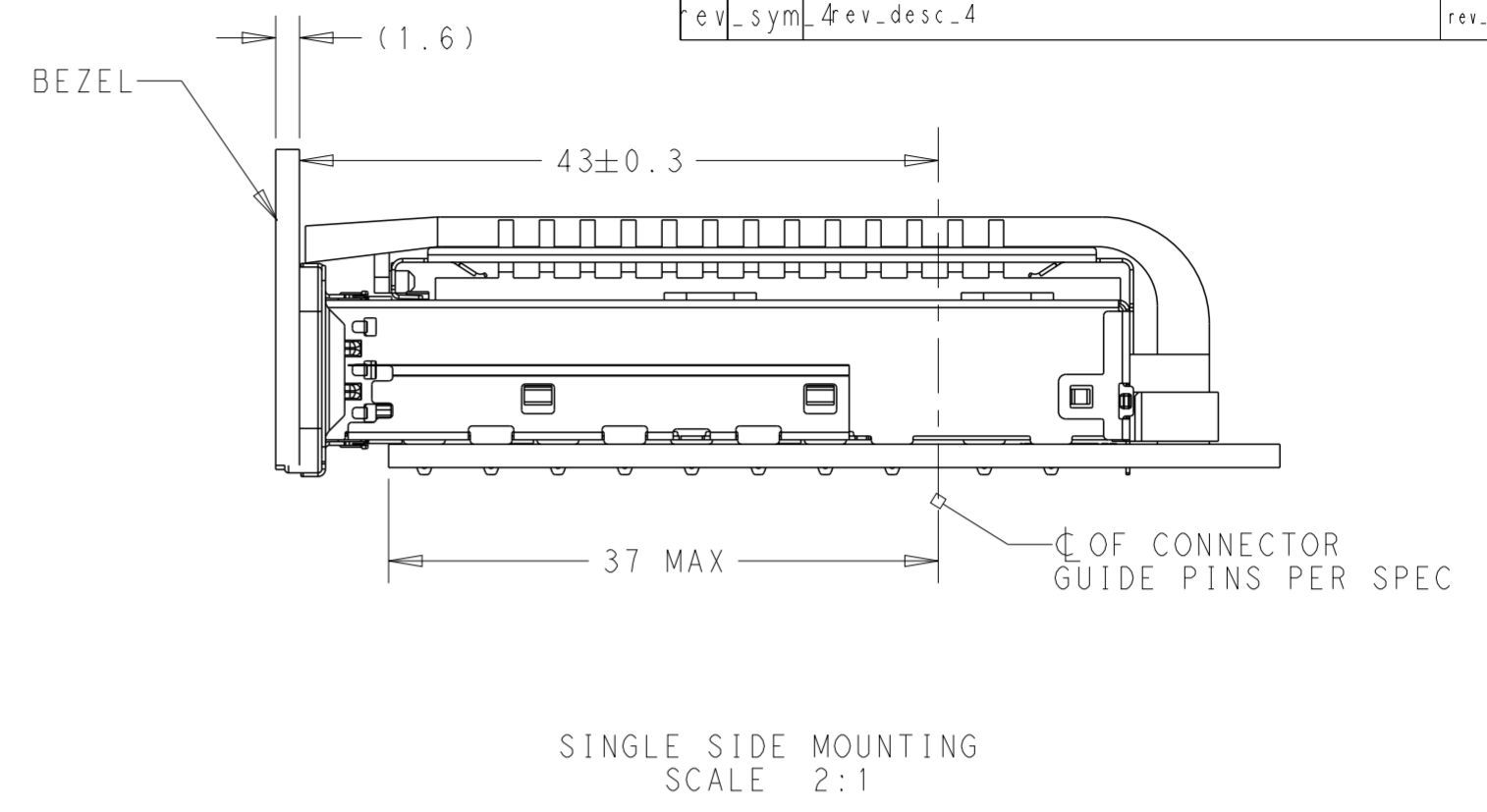
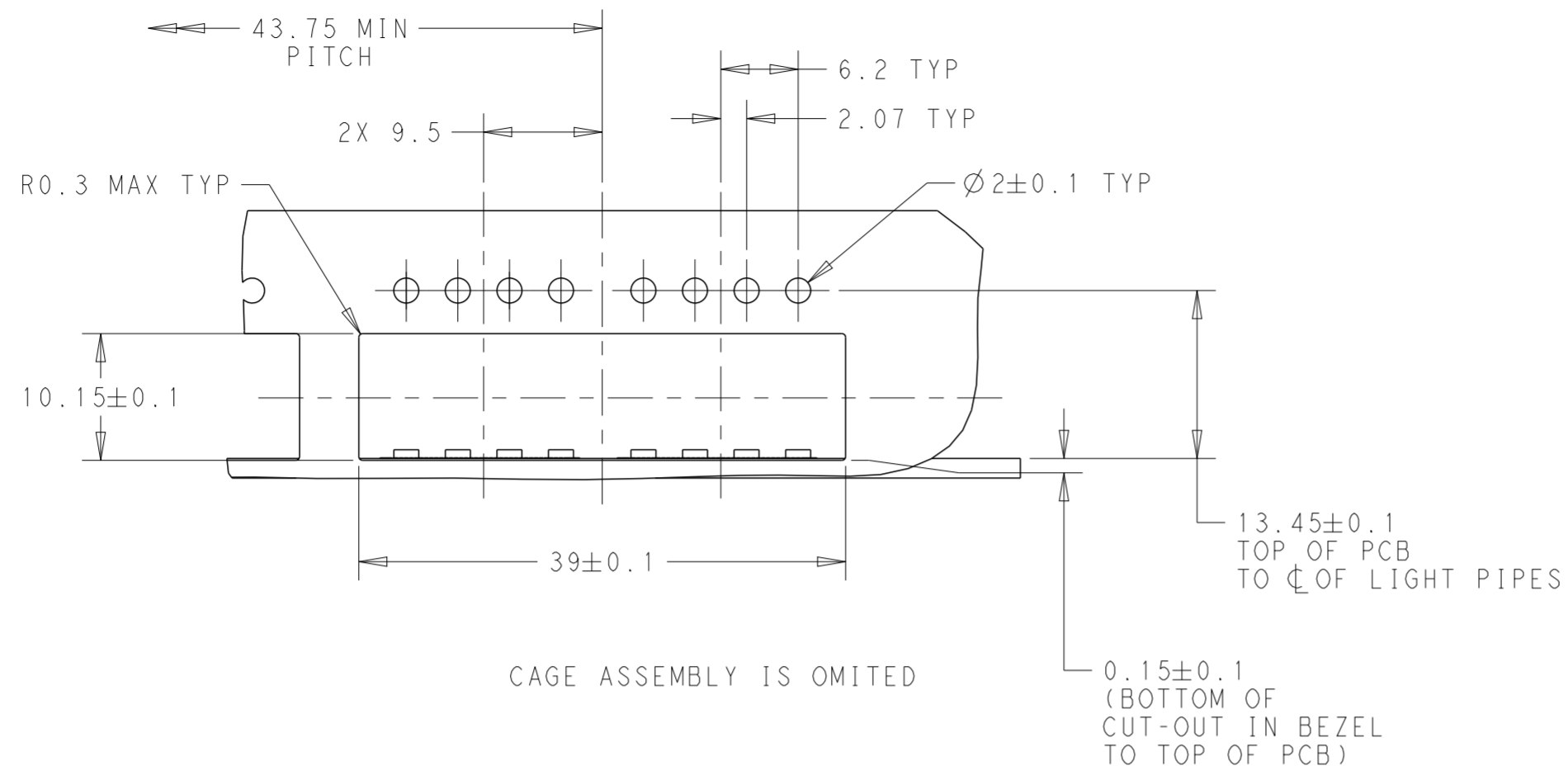


SCALE 3:1
2170827-4 AS SHOWN

THIS DRAWING IS A CONTROLLED DOCUMENT.		DWN	02NOV2015		STE TE Connectivity
		CHK	JASON YANG 02NOV2015		
		APVD	SEAN HAN 02NOV2015		
		PRODUCT SPEC	MARSHALL CHEN 02NOV2015		
DIMENSIONS:	TOLERANCES UNLESS OTHERWISE SPECIFIED:	NAME	RECEPTACLE CAGE ASSEMBLY WITH HEAT SINKS AND LIGHT PIPES, THRU BEZEL, 1X2, QSFP28, GASKET		
mm	0 PLC ± 1 PLC ±0.25 2 PLC ±0.2 3 PLC ± 4 PLC ± ANGLES ±	APPLICATION SPEC	108-19428		
MATERIAL	FINISH	SIZE	CAGE CODE	DRAWING NO	RESTRICTED TO
SEE NOTES material_2	SEE NOTES finish_spec_2	114-32023	A200779	G-2170827	-
		WEIGHT	CUSTOMER DRAWING		SCALE 3:1 SHEET 1 OF 8 REV A1

THIS DRAWING IS UNPUBLISHED. RELEASED FOR PUBLICATION 20
 © COPYRIGHT 20 BY - ALL RIGHTS RESERVED.

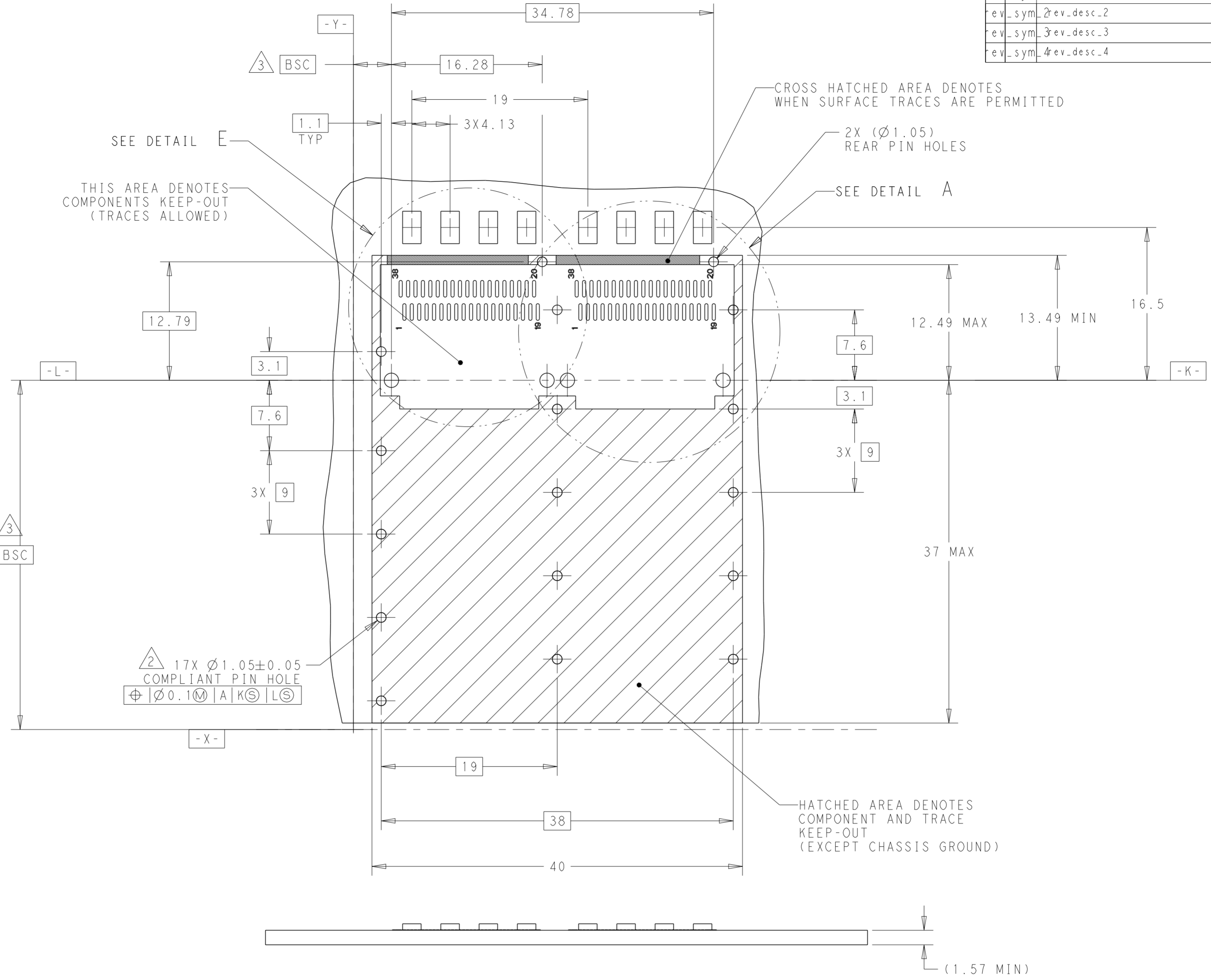
LOC		DIST		REVISIONS			
P	LTR	DESCRIPTION		DATE	DWN	APVD	
rev_sym_1	16EE-8HBEI11			rev.date	rev.dwn	rev.appr	1
rev_sym_2	rev_desc_2			rev.date	rev.dwn	rev.appr	2
rev_sym_3	rev_desc_3			rev.date	rev.dwn	rev.appr	3
rev_sym_4	rev_desc_4			rev.date	rev.dwn	rev.appr	4



THIS DRAWING IS A CONTROLLED DOCUMENT.		DWN JASON YANG 02NOV2015	TE Connectivity	
DIMENSIONS: mm		CHK SEAN HAN 02NOV2015		
TOLERANCES UNLESS OTHERWISE SPECIFIED:		APVD MARSHALL CHEN 02NOV2015	NAME RECEPTACLE CAGE ASSEMBLY WITH HEAT SINKS AND LIGHT PIPES, THRU BEZEL, 1X2, QSFP28, GASKET	
		PRODUCT SPEC 108-19428	SIZE A200779	
MATERIAL SEE NOTES material_2		APPLICATION SPEC 114-32023	DRAWING NO C-2170827	
FINISH SEE NOTES finish_spec_2		WEIGHT -	RESTRICTED TO -	
CUSTOMER DRAWING		SCALE 3:1	SHEET 1 OF 8	
				REV A1

THIS DRAWING IS UNPUBLISHED. RELEASED FOR PUBLICATION 20
 © COPYRIGHT 20 BY - ALL RIGHTS RESERVED.

LOC		DIST		REVISIONS			
P	LTR	DESCRIPTION		DATE	DWN	APVD	
rev_sym_1	16EE-8HBEI11			rev.date	rev.dwn	rev.appr	1
rev_sym_2	rev_desc_2			rev.date	rev.dwn	rev.appr	2
rev_sym_3	rev_desc_3			rev.date	rev.dwn	rev.appr	3
rev_sym_4	rev_desc_4			rev.date	rev.dwn	rev.appr	4



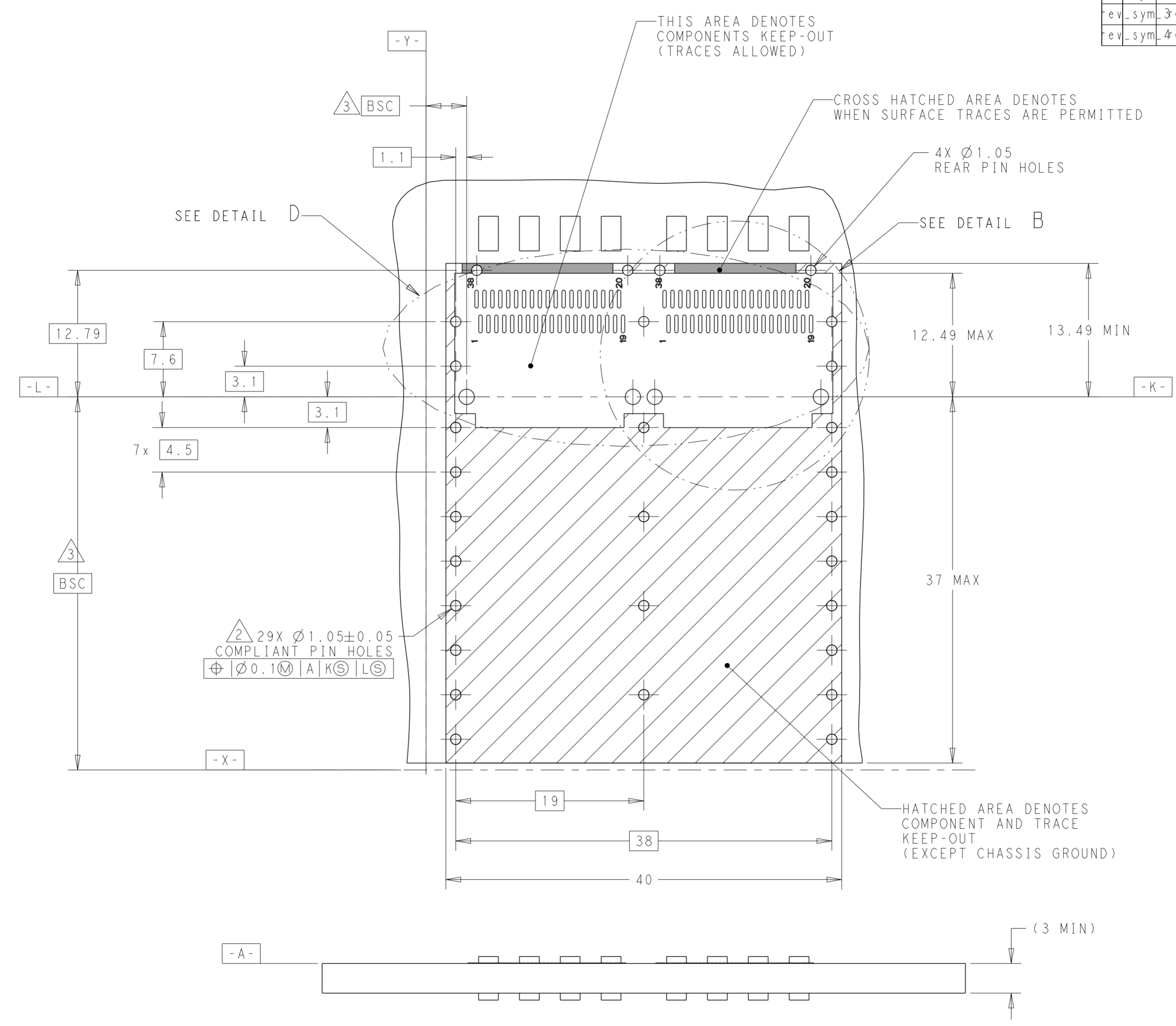
2 17X Ø1.05±0.05
 COMPLIANT PIN HOLE
 Ⓢ | Ⓢ0.1 | Ⓢ | A | K | Ⓢ | L | Ⓢ

RECOMMENDED PCB LAYOUT
 SINGLE TYPE
 PCB TOLERANCE: ±0.05
 SCALE 3:1

THIS DRAWING IS A CONTROLLED DOCUMENT.		DWN	02NOV2015		 TE Connectivity		
DIMENSIONS: mm		CHK	02NOV2015				
TOLERANCES UNLESS OTHERWISE SPECIFIED:		APVD	02NOV2015				
0 PLC ± 1 PLC ±0.25 2 PLC ±0.2 3 PLC ± 4 PLC ± ANGLES ±		NAME	MARSHALL CHEN				
MATERIAL SEE NOTES material_2		PRODUCT SPEC	108-19428		NAME	RECEPTACLE CAGE ASSEMBLY WITH HEAT SINKS AND LIGHT PIPES, THRU BEZEL, 1X2, QSFP28, GASKET	
FINISH SEE NOTES finish_spec_2		APPLICATION SPEC	114-32023		SIZE	CAGE CODE	DRAWING NO
		WEIGHT	-		A2	00779	C-2170827
		CUSTOMER DRAWING		SCALE	3:1	SHEET	1 OF 8
						REV	A1

THIS DRAWING IS UNPUBLISHED. RELEASED FOR PUBLICATION 20
 © COPYRIGHT 20 BY - ALL RIGHTS RESERVED.

LOC		DIST		REVISIONS			
P	LTR	DESCRIPTION	DATE	DWN	APVD		
rev_sym_1	16EE-8HBEI11			rev.dater	rev.dwn	rev.appr	1
rev_sym_2	rev_desc_2			rev.dater	rev.dwn	rev.appr	2
rev_sym_3	rev_desc_3			rev.dater	rev.dwn	rev.appr	3
rev_sym_4	rev_desc_4			rev.dater	rev.dwn	rev.appr	4

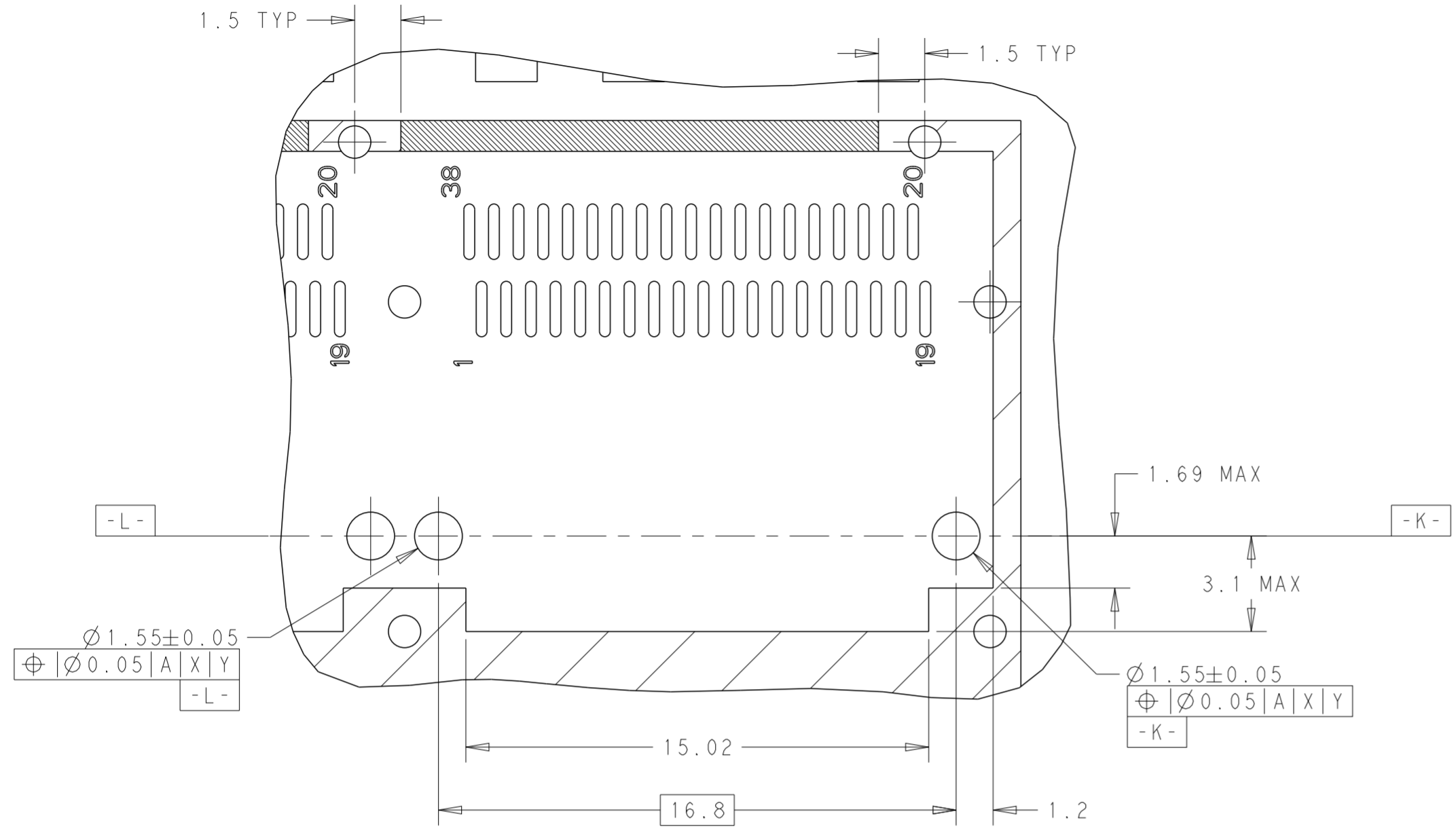


RECOMMENDED PCB LAYOUT
 BELLY TO BELLY TYPE
 PCB TOLERANCE: ±0.05
 SCALE 3:1

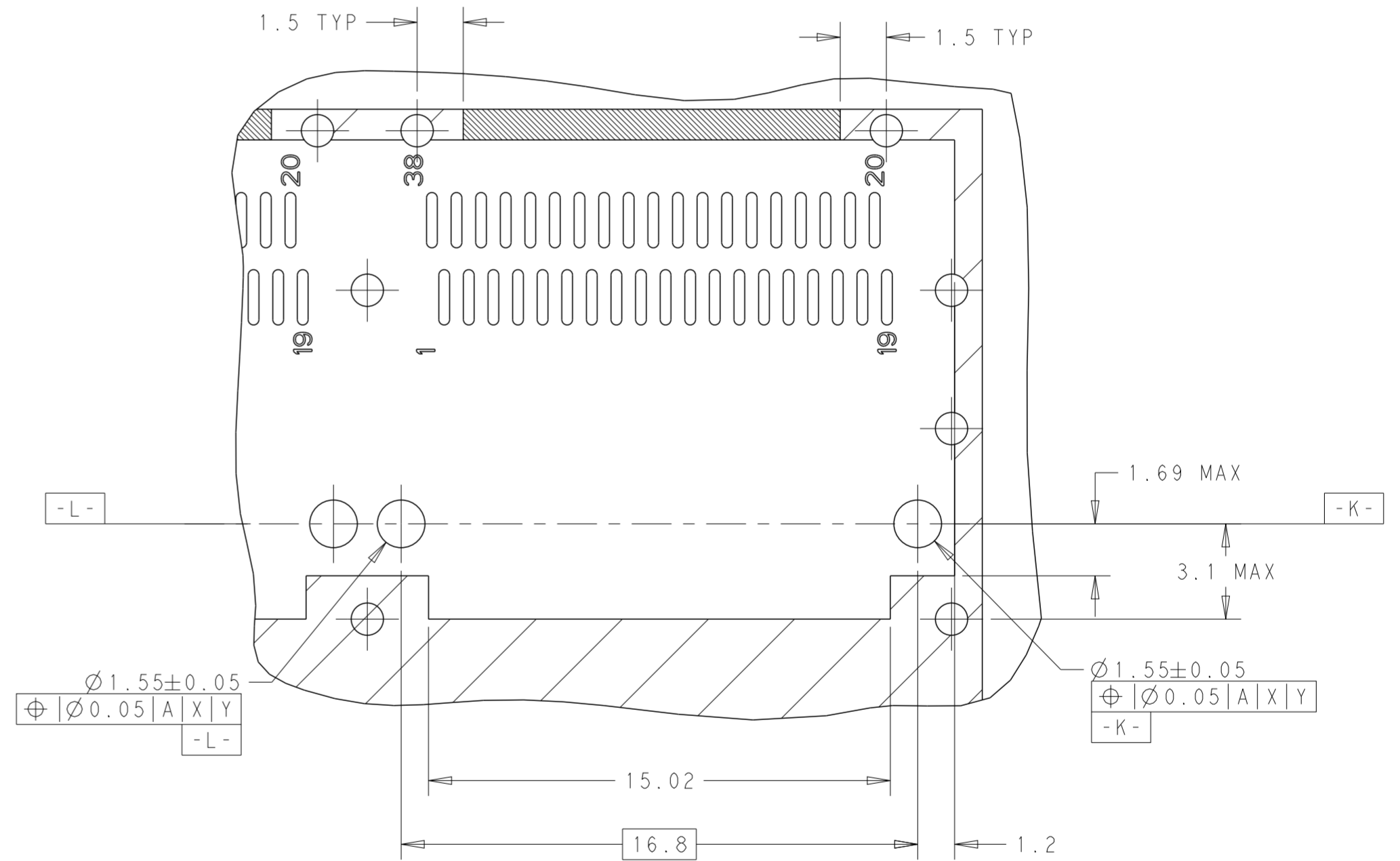
THIS DRAWING IS A CONTROLLED DOCUMENT.		DWN	02NOV2015	TE Connectivity	
DIMENSIONS: mm		CHK	02NOV2015		
TOLERANCES UNLESS OTHERWISE SPECIFIED:		APVD	02NOV2015		
0 PLC ± 1 PLC ±0.25 2 PLC ±0.2 3 PLC ± 4 PLC ± ANGLES ± FINISH SEE NOTES		NAME	RECEPTACLE CAGE ASSEMBLY WITH HEAT SINKS AND LIGHT PIPES, THRU BEZEL, 1X2, QSFP28, GASKET		
MATERIAL SEE NOTES material_2		PRODUCT SPEC	108-19428	SIZE	A2
FINISH SEE NOTES finish_spec_2		APPLICATION SPEC	114-32023	CAGE CODE	00779
		WEIGHT	-	DRAWING NO	C-2170827
		CUSTOMER DRAWING		RESTRICTED TO	-
		SCALE	3:1	SHEET	1 OF 8
				REV	A1

THIS DRAWING IS UNPUBLISHED. RELEASED FOR PUBLICATION 20
 © COPYRIGHT 20 BY - ALL RIGHTS RESERVED.

LOC		DIST		REVISIONS			
P	LTR	DESCRIPTION	DATE	DWN	APVD		
rev_sym_1	16EW-8HBEI11		rev.date	rev.dwn	rev.appr	.1	
rev_sym_2	rev_desc_2		rev.date	rev.dwn	rev.appr	.2	
rev_sym_3	rev_desc_3		rev.date	rev.dwn	rev.appr	.3	
rev_sym_4	rev_desc_4		rev.date	rev.dwn	rev.appr	.4	



DETAIL A
SCALE 6:1

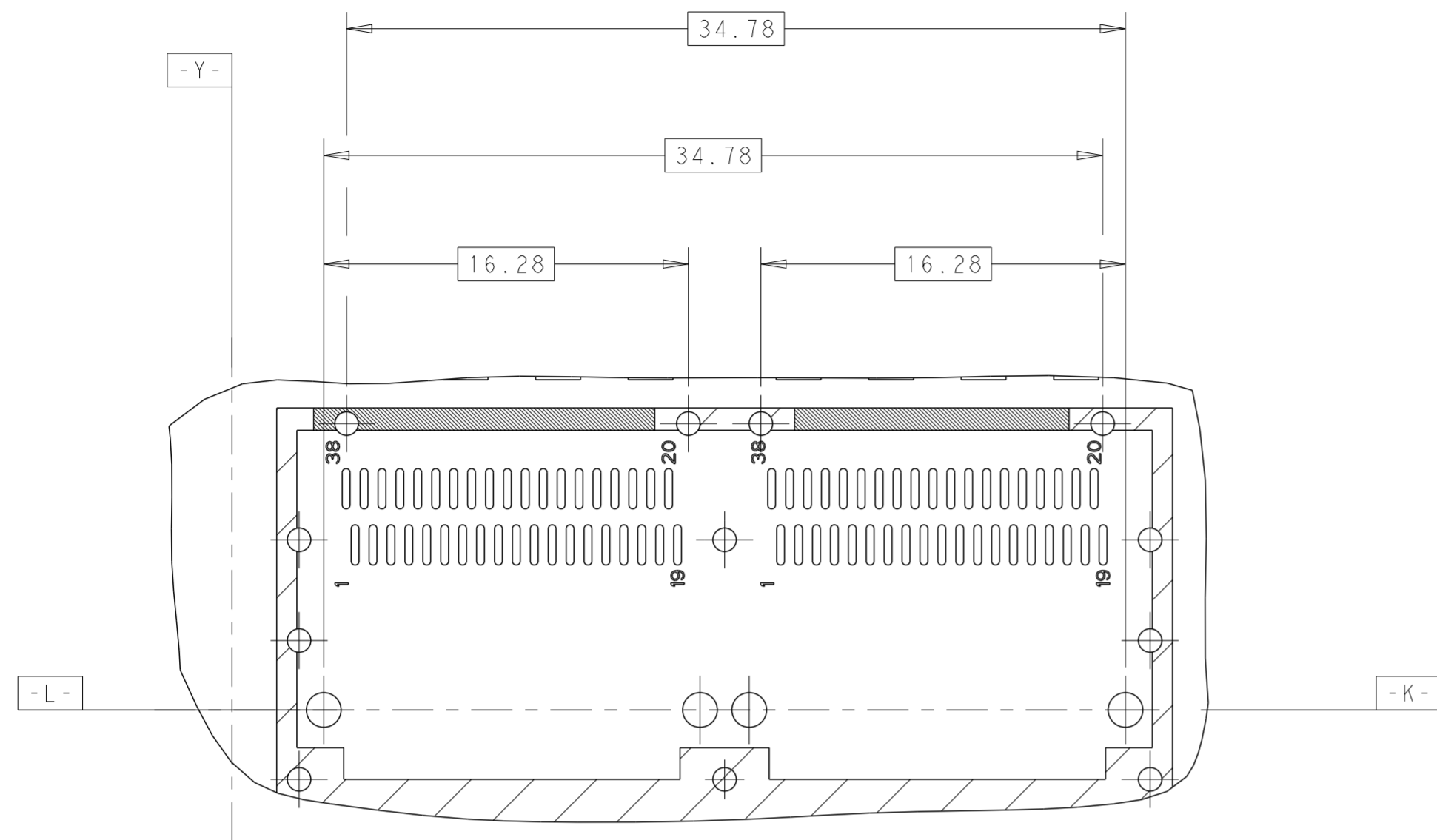


DETAIL B
SCALE 6:1

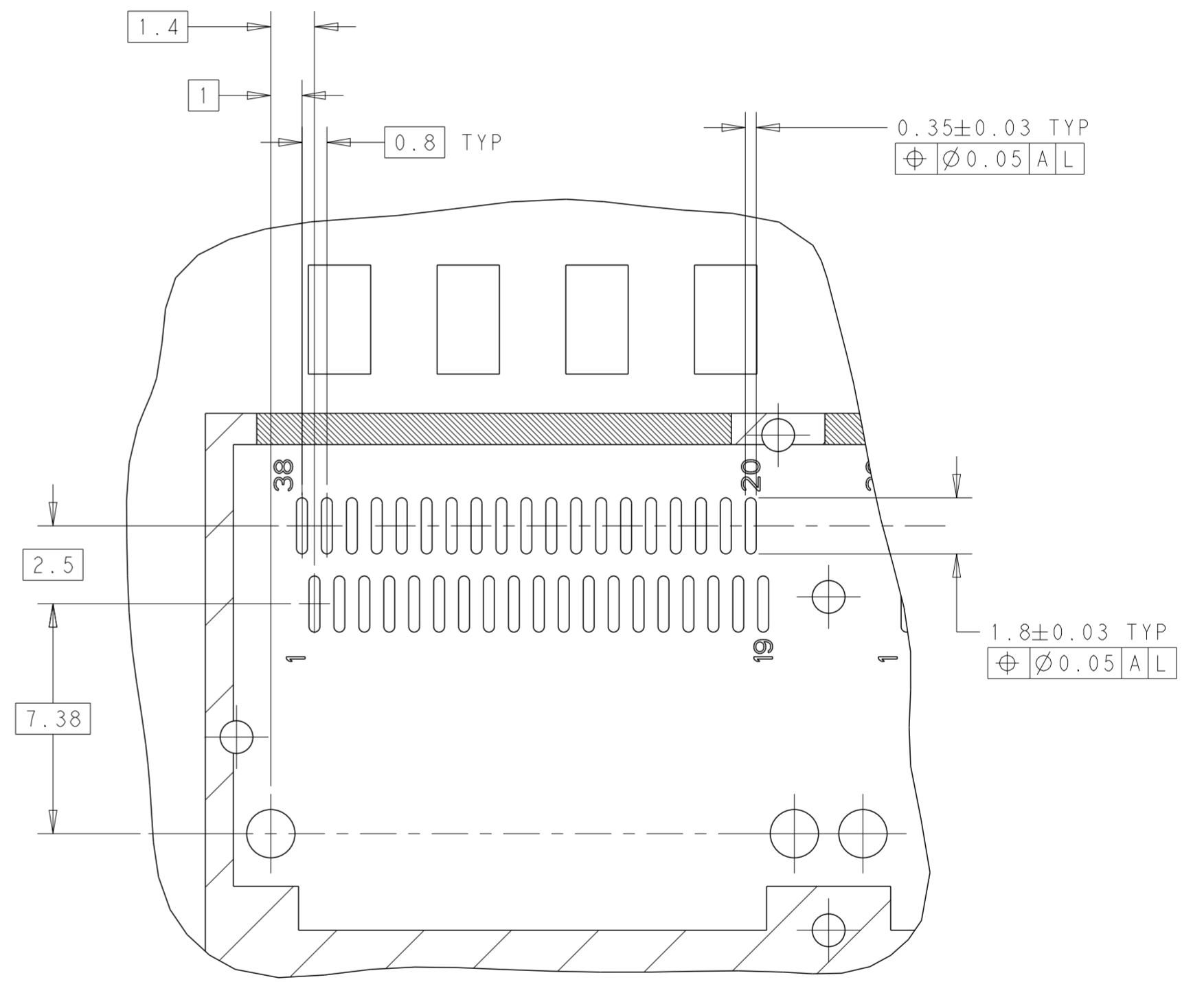
THIS DRAWING IS A CONTROLLED DOCUMENT.		DWN JASON YANG 02NOV2015	STE TE Connectivity	
		CHK SEAN HAN 02NOV2015		
DIMENSIONS: mm		APVD MARSHALL CHEN 02NOV2015	NAME RECEPTACLE CAGE ASSEMBLY WITH HEAT SINKS AND LIGHT PIPES, THRU BEZEL, 1X2, QSFP28, GASKET	
TOLERANCES UNLESS OTHERWISE SPECIFIED: 0 PLC ± 1 PLC ±0.25 2 PLC ±0.2 3 PLC ± 4 PLC ± ANGLES ±		PRODUCT SPEC 108-19428	SIZE A200779	
MATERIAL SEE NOTES material_2		APPLICATION SPEC 114-32023	DRAWING NO C-2170827	
FINISH SEE NOTES finish_spec_2		WEIGHT -	RESTRICTED TO -	
		CUSTOMER DRAWING	SCALE 3:1	SHEET 1 OF 8
			REV A1	

THIS DRAWING IS UNPUBLISHED. RELEASED FOR PUBLICATION 20
 © COPYRIGHT 20 BY - ALL RIGHTS RESERVED.

LOC		DIST		REVISIONS			
P	LTR	DESCRIPTION	DATE	DWN	APVD		
rev_sym_1	16EW-8HBEI11		rev.date	rev.dwn	rev.appr	1	
rev_sym_2	rev_desc_2		rev.date	rev.dwn	rev.appr	2	
rev_sym_3	rev_desc_3		rev.date	rev.dwn	rev.appr	3	
rev_sym_4	rev_desc_4		rev.date	rev.dwn	rev.appr	4	



DETAIL D
SCALE 4:1



DETAIL E
SCALE 6:1

THIS DRAWING IS A CONTROLLED DOCUMENT.		DWN JASON YANG 02NOV2015	STE TE Connectivity	
DIMENSIONS: mm		CHK SEAN HAN 02NOV2015		
TOLERANCES UNLESS OTHERWISE SPECIFIED:		APVD MARSHALL CHEN 02NOV2015	NAME RECEPTACLE CAGE ASSEMBLY WITH HEAT SINKS AND LIGHT PIPES, THRU BEZEL, 1X2, QSFP28, GASKET	
0 PLC ±- 1 PLC ±0.25 2 PLC ±0.2 3 PLC ±- 4 PLC ±- ANGLES ±-		PRODUCT SPEC 108-19428	SIZE A2	CAGE CODE 00779
MATERIAL SEE NOTES material_2		APPLICATION SPEC 114-32023	DRAWING NO C-2170827	RESTRICTED TO -
FINISH SEE NOTES finish_spec_2		WEIGHT -	SCALE 3:1	SHEET 1 OF 8
		CUSTOMER DRAWING	REV A1	