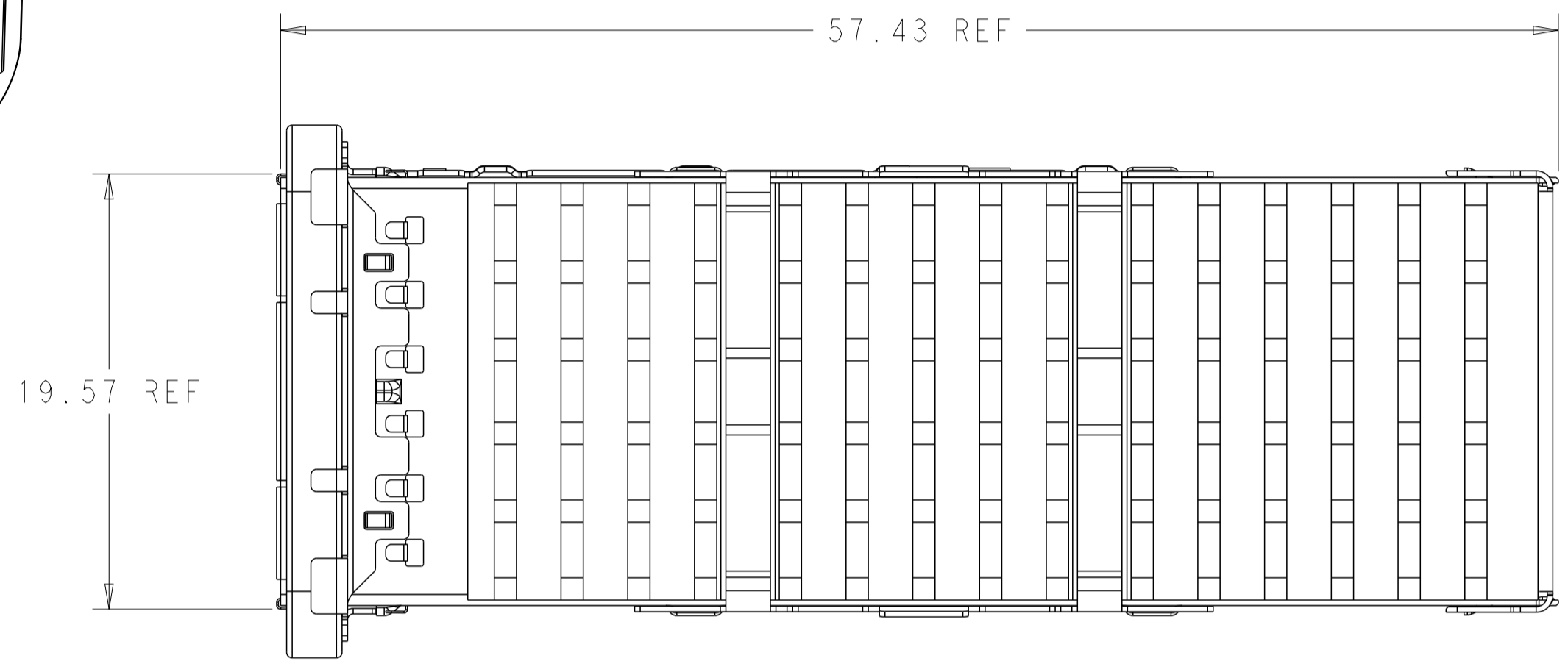
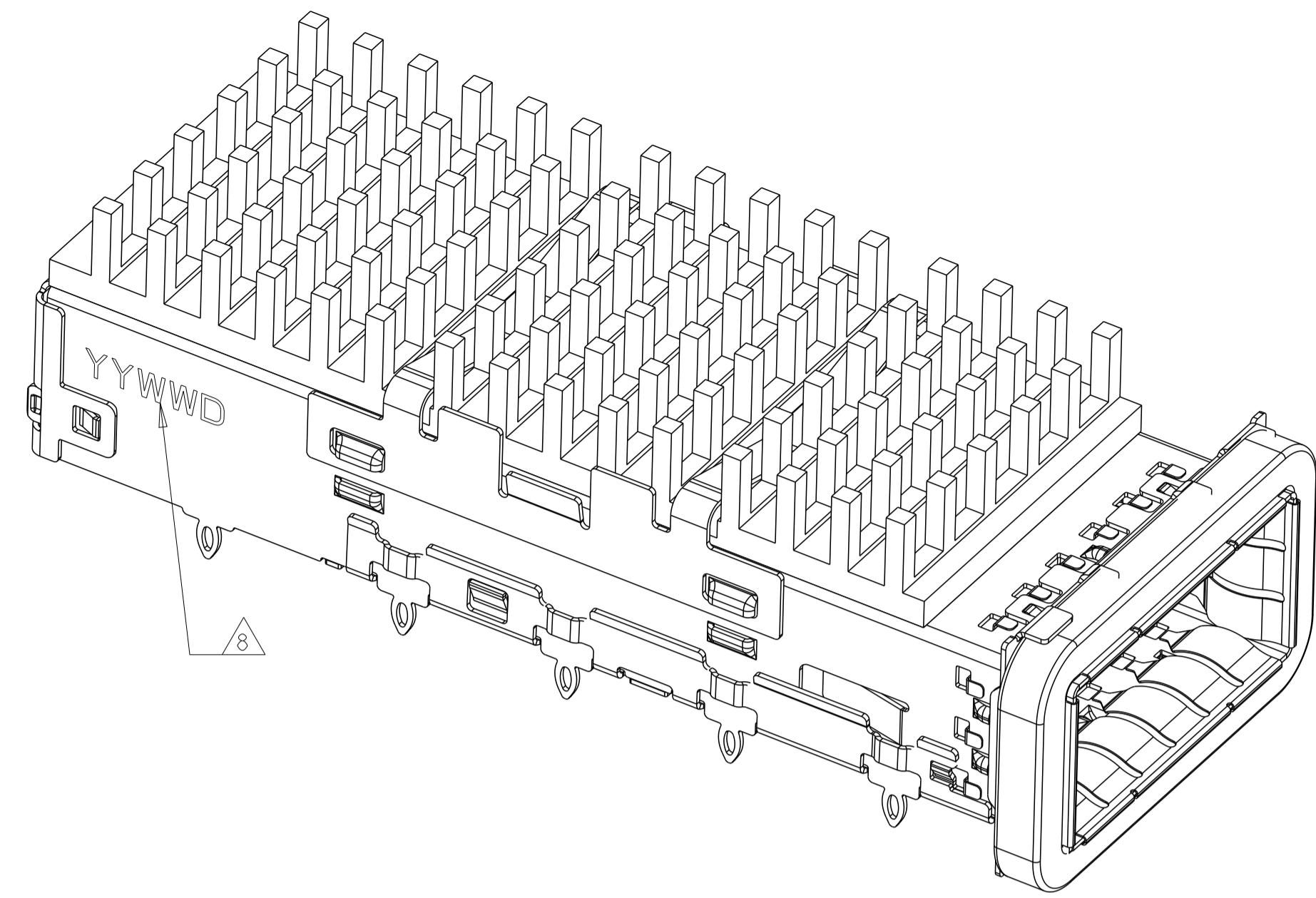


LOC		DIST		REVISIONS			
P	LTN	DESCRIPTION	DATE	DWN	APVD		
A		RELEASE	30DEC2015	JY	SH		
A1		REVISED PER ECN-22-163746	11JUL2022	IT	SZ		



1. MATERIAL:  
 CAGE MATERIAL : 0.25 THICK NICKEL SILVER.  
 SPRING MATERIAL: COPPER ALLOY  
 HEAT SINK MATERIAL: ALUMINUM  
 CLIP MATERIAL: STAINLESS STEEL  
 EMI GASKET: PLATED FILLED SILICONE

2. FINISH:  
 SPRING: NICKEL PLATING  
 HEAT SINK: BLACK ANODIZE

3. DIMENSION APPLIES WITH MODULE INSTALLED IN THE CAGE TO TOP OF HEAT SINK.

4. REFERENCE APPLICATION SPEC 114-32023 FOR RECOMMENDED DRILL HOLE DIAMETER AND PLATING THICKNESS.

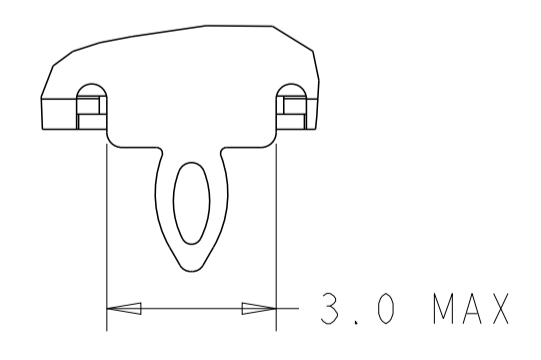
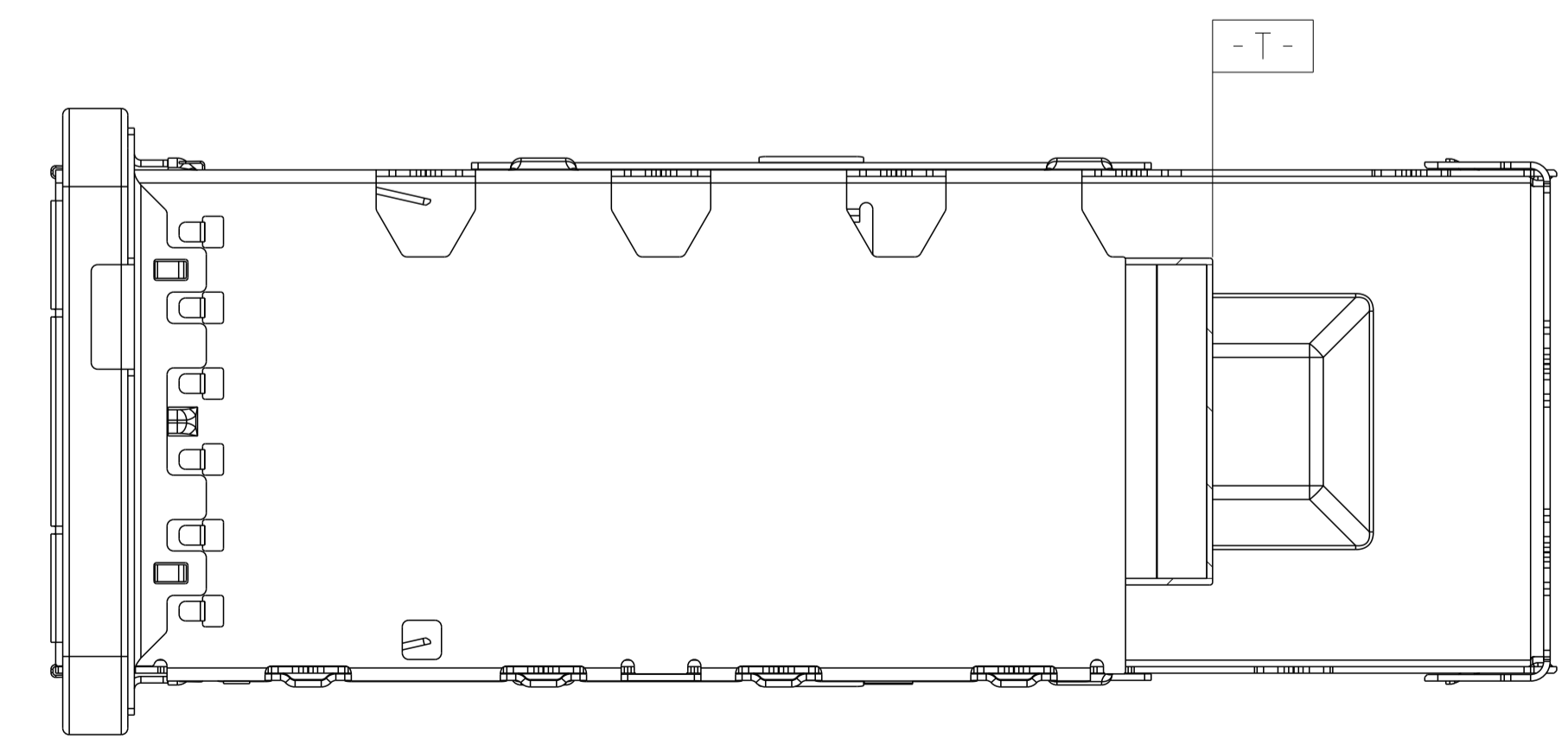
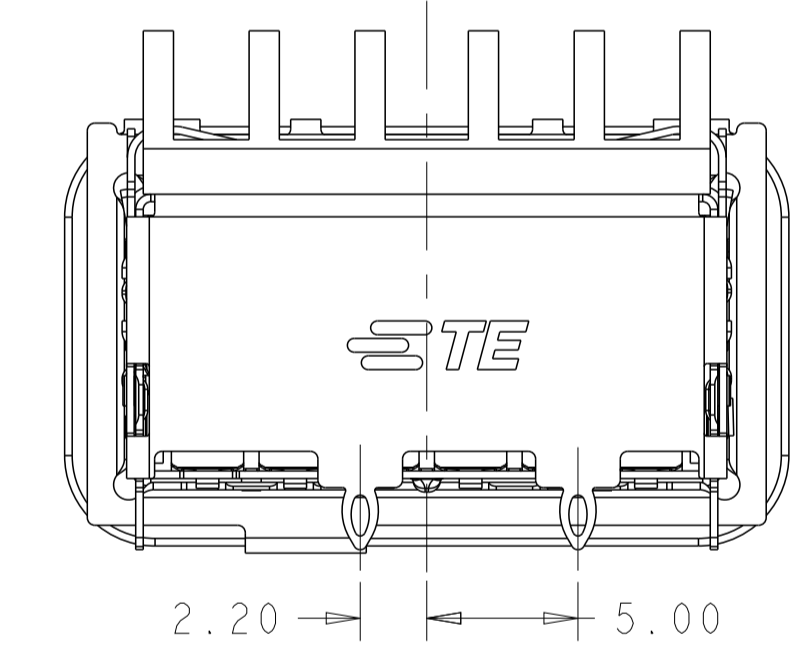
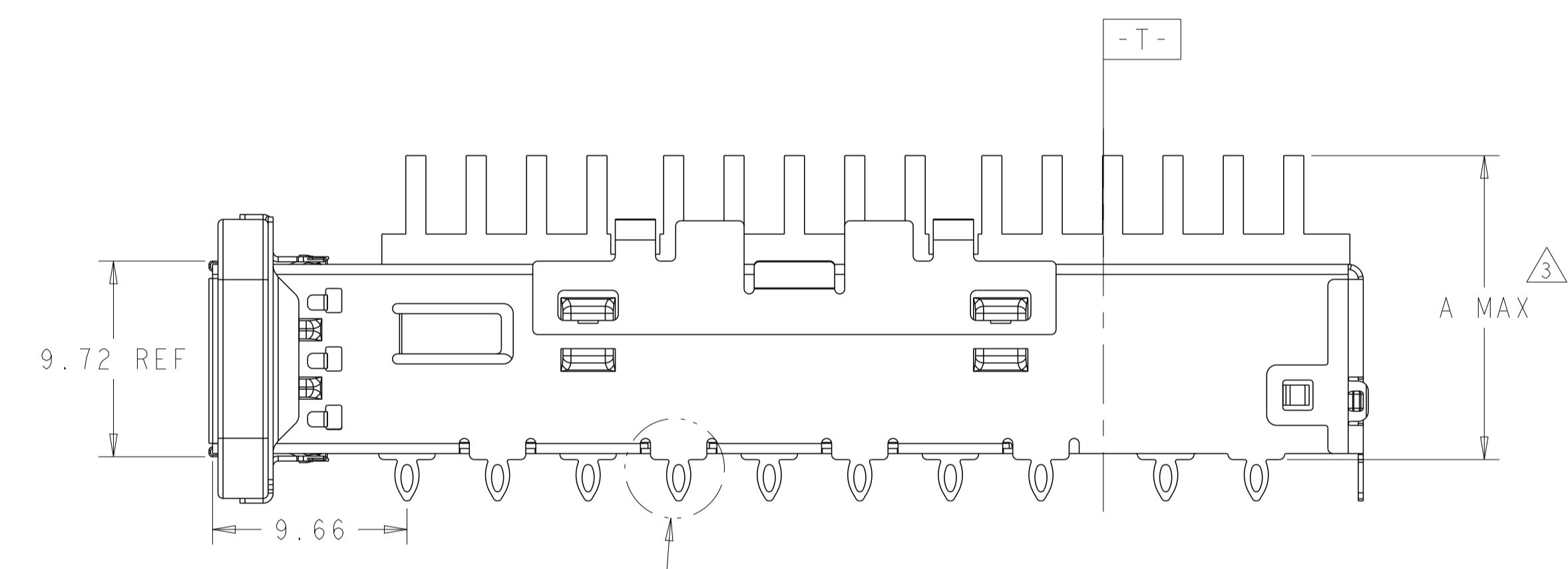
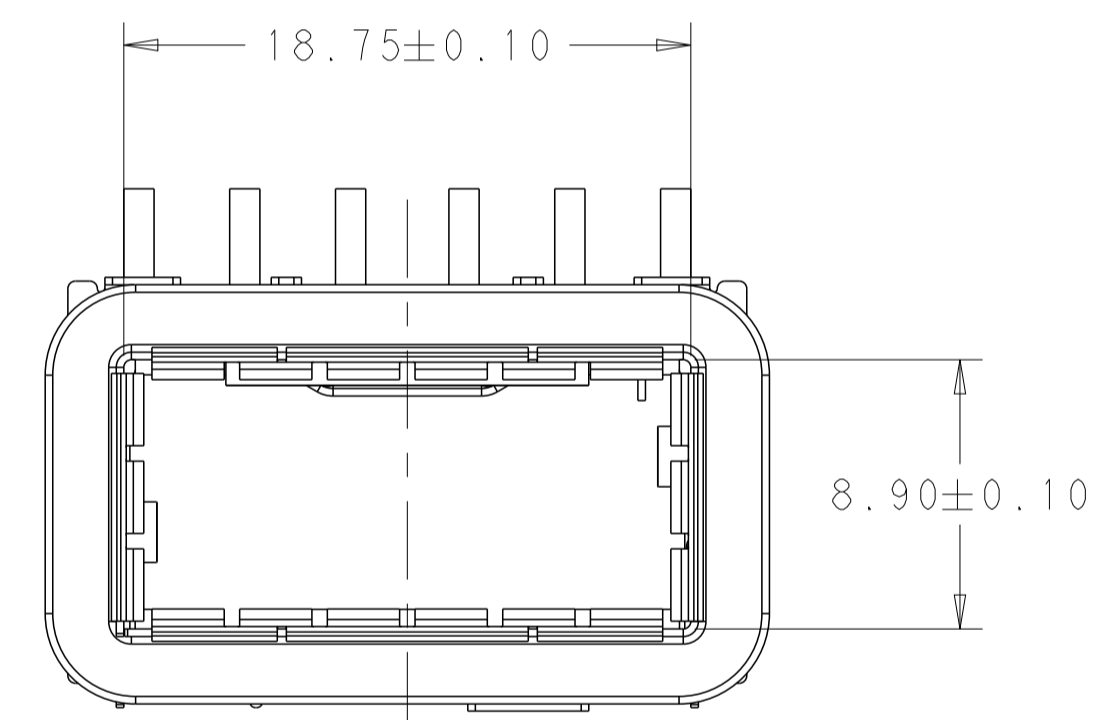
5. DATUM AND BASIC DIMENSIONS ESTABLISHED BY CUSTOMERS.

6. MINIMUM PC BOARD THICKNESS :  
 SINGLES SIDED: 1.57 MIN  
 DOUBLE SIDED: 3.00 MIN

7. DATUM -A- IS TOP SURFACE OF THE HOST BOARD.

8. DATE CODE (YYWWD) MARKED APPROXIMATELY AS SHOWN

9. MATES WITH QSFP28 MSA COMPATIBLE TRANSCEIVER.



DETAIL A  
 SCALE 8:1

23.0	1	NETWORKING	2170753-9
16.0	1	SAN	2170753-8
13.7	1	PCI	2170753-7
23.0	0	NETWORKING	2170753-6
16.0	0	SAN	2170753-5
13.7	0	PCI	2170753-4
23.0	2	NETWORKING	2170753-3
16.0	2	SAN	2170753-2
13.7	2	PCI	2170753-1
DIM A	# REAR PINS	APPLICATION	PART NUMBER

2170753-2 AS SHOWN

THIS DRAWING IS A CONTROLLED DOCUMENT. DWN: JASON YANG 01APR2014  
 CHK: SEAN HAN 30DEC2015

STE TE Connectivity

NAME: CAGE ASSEMBLY, QSFP28 1X1, THRU BEZEL, WITH EMI GASKET HEAT SINK

PRODUCT SPEC: 108-19428  
 APPLICATION SPEC: 114-32023

SIZE: A1  
 CAGE CODE: 00779  
 DRAWING NO: 2170753

MATERIAL: -  
 FINISH: -

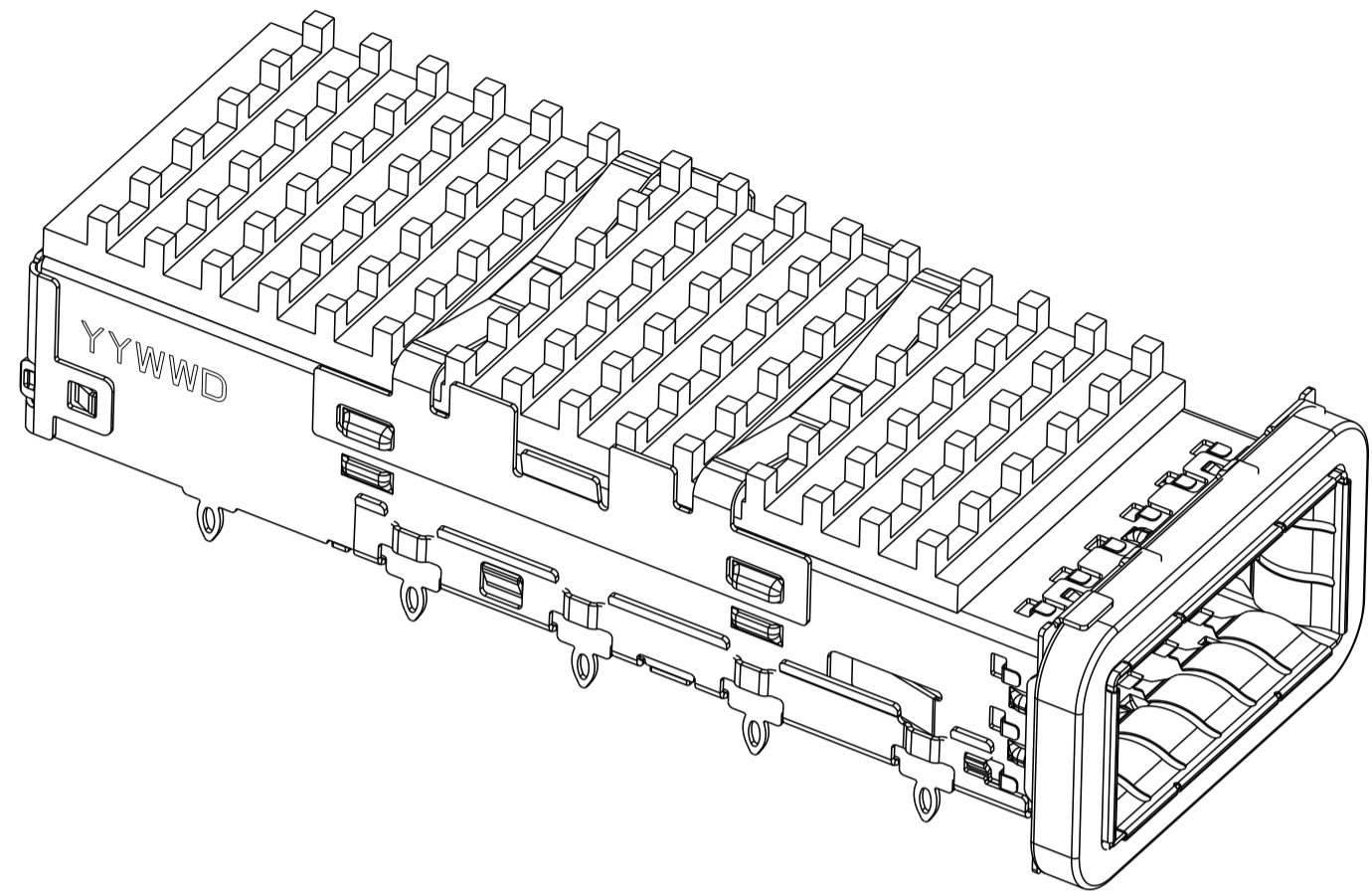
WEIGHT: -  
 CUSTOMER DRAWING

SCALE: 2:1  
 SHEET: 1 OF 5  
 REV: A1

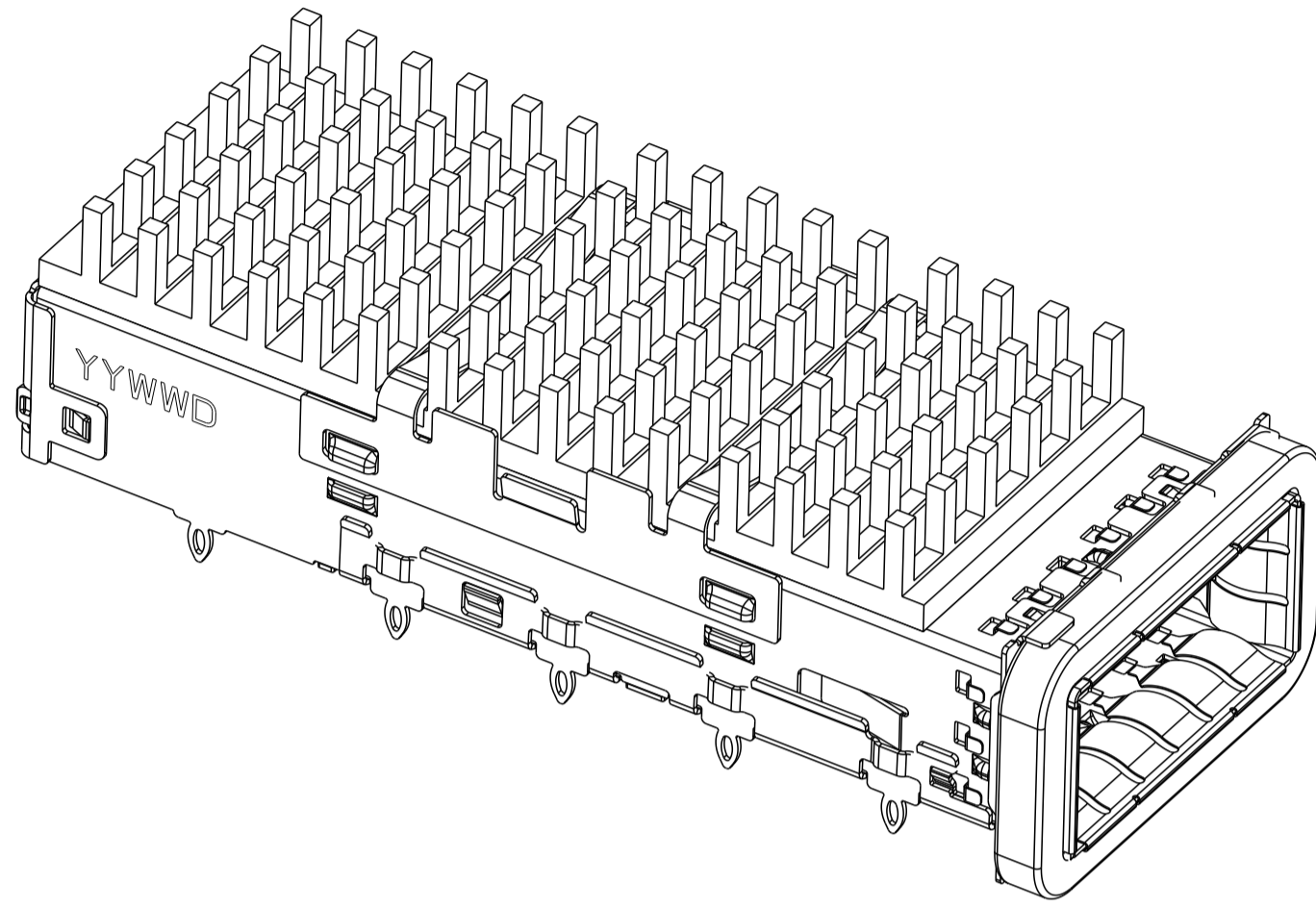
THIS DRAWING IS UNPUBLISHED. RELEASED FOR PUBLICATION  
COPYRIGHT copyright © 2014. ALL RIGHTS RESERVED.

LOC	DIST	REVISIONS			
P	LTN	DESCRIPTION	DATE	DWN	APVD
rev_sym_1	16E6_8H6E111			rev_defect	y_dwn_bppr_1
rev_sym_2	rev_desc_2			rev_defect	y_dwn_bppr_2
rev_sym_3	rev_desc_3			rev_defect	y_dwn_bppr_3
rev_sym_4	rev_desc_4			rev_defect	y_dwn_bppr_4

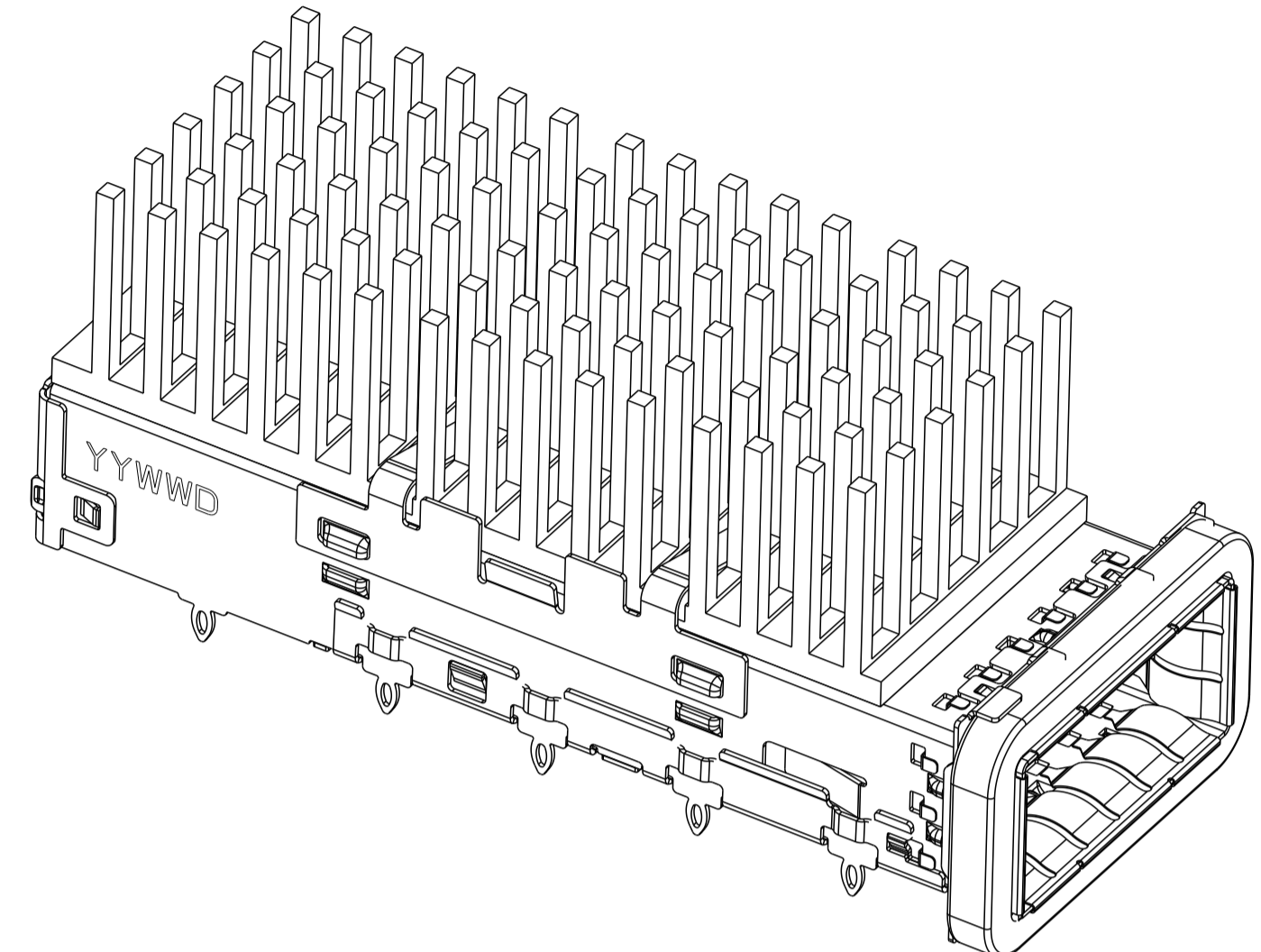
# HEAT SINK OPTIONS



PCI HEAT SINK  
SCALE 3:1

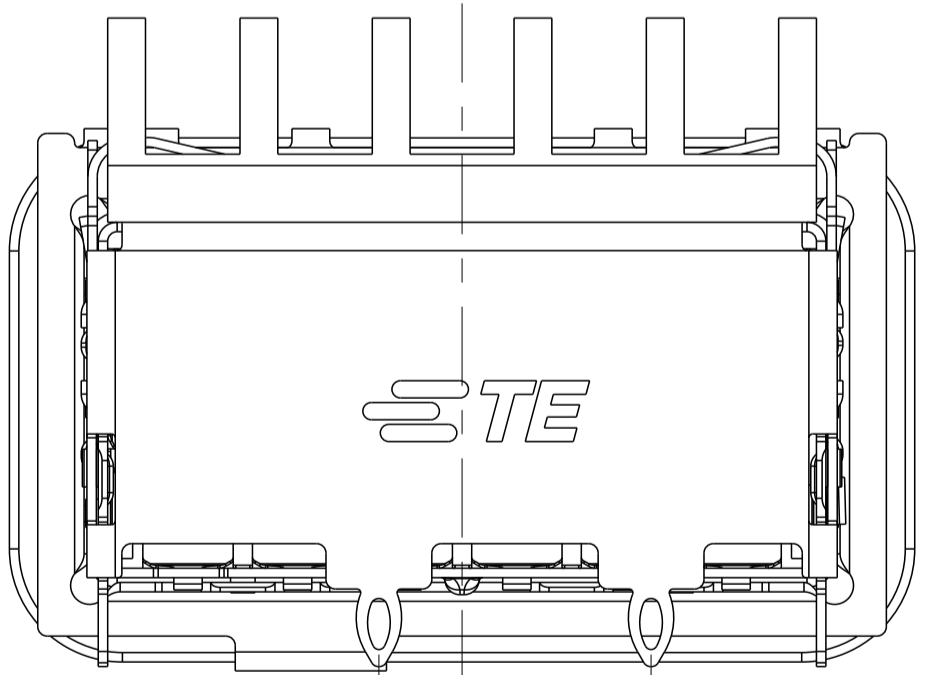


SAN HEAT SINK  
SCALE 3:1

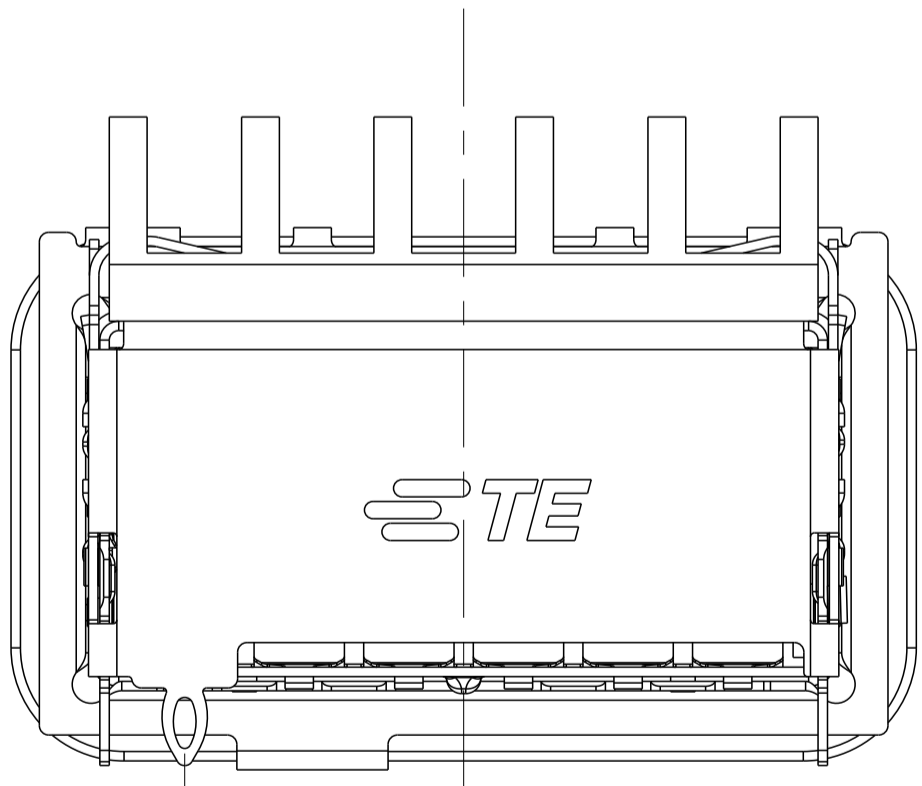


NETWORKING HEAT SINK  
SCALE 3:1

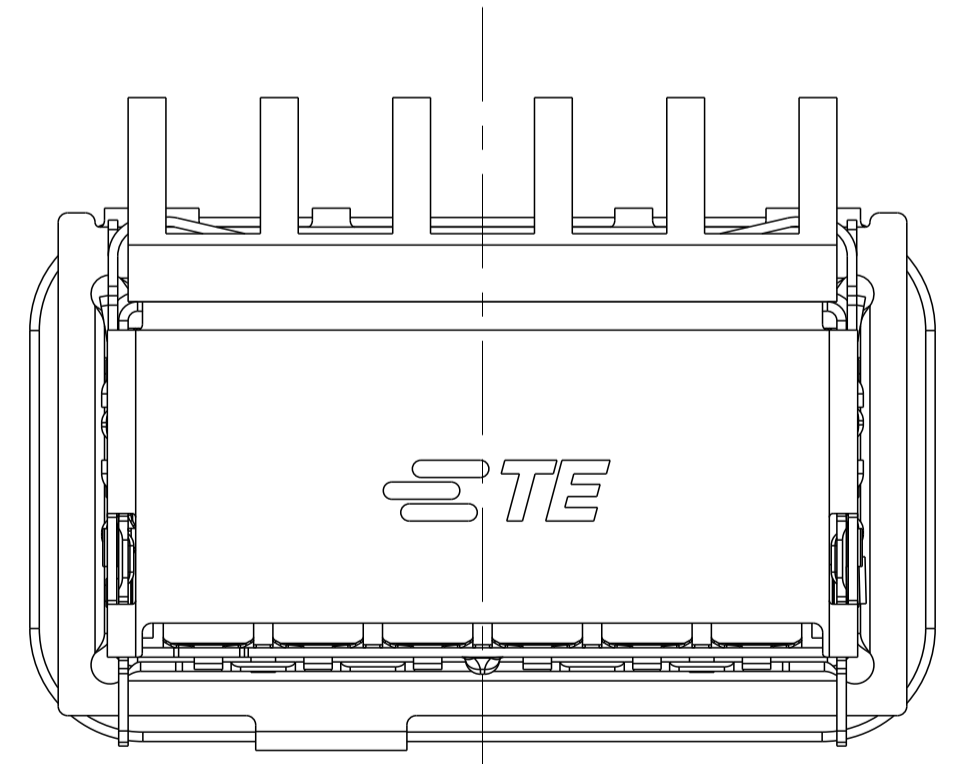
# # OF REAR LEGS OPTIONS




2 REAR LEGS  
SCALE 5:1



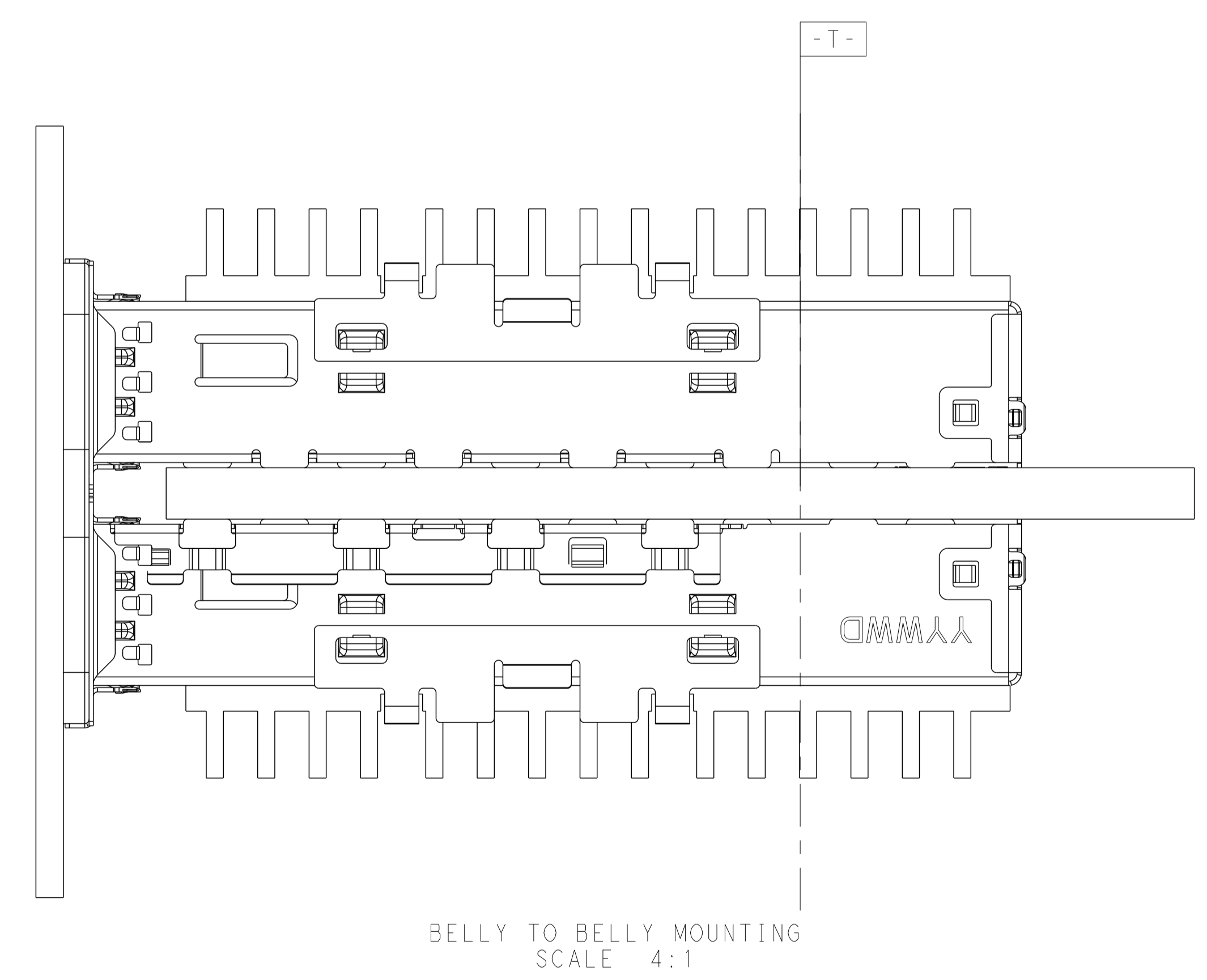
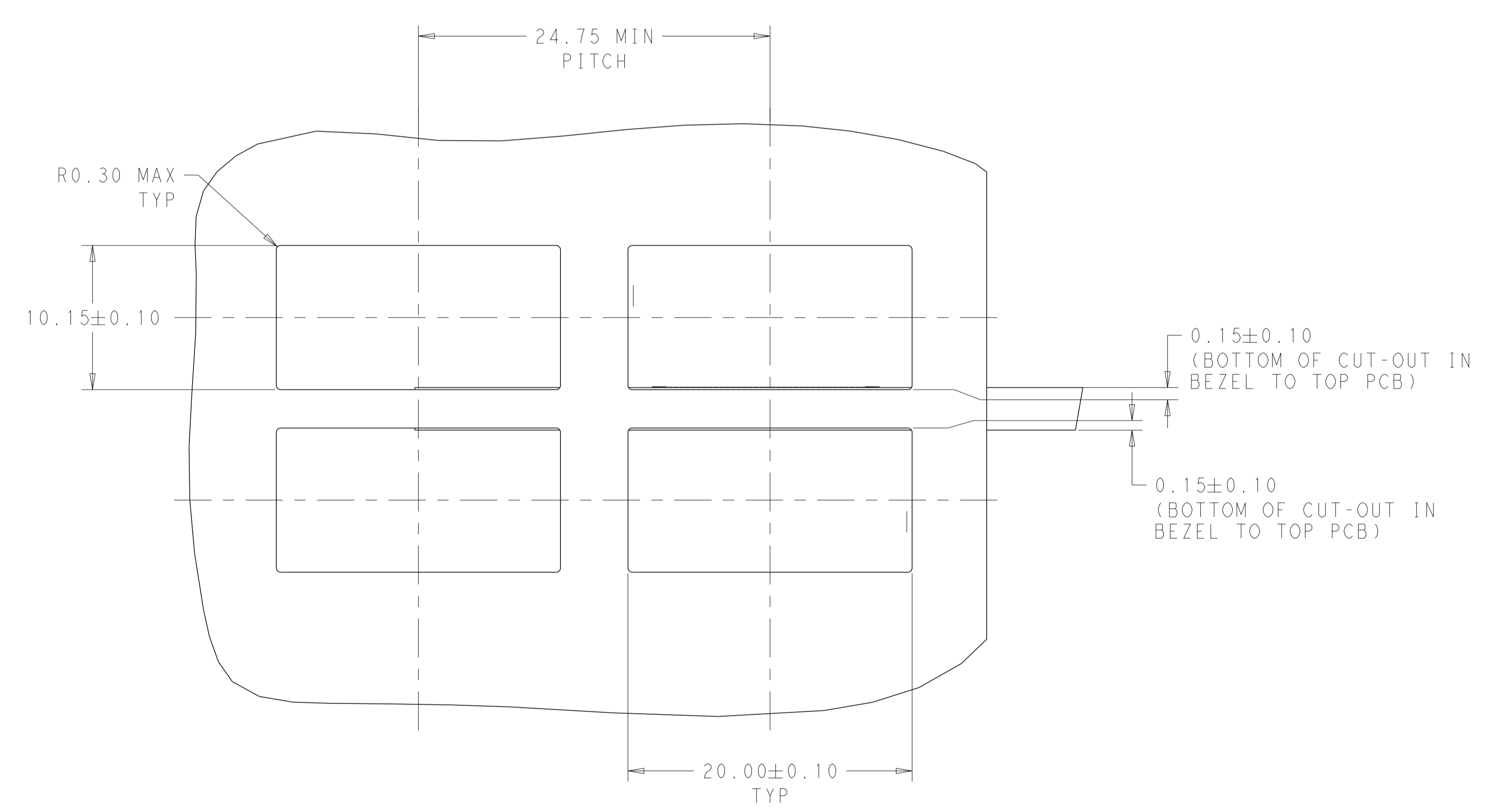
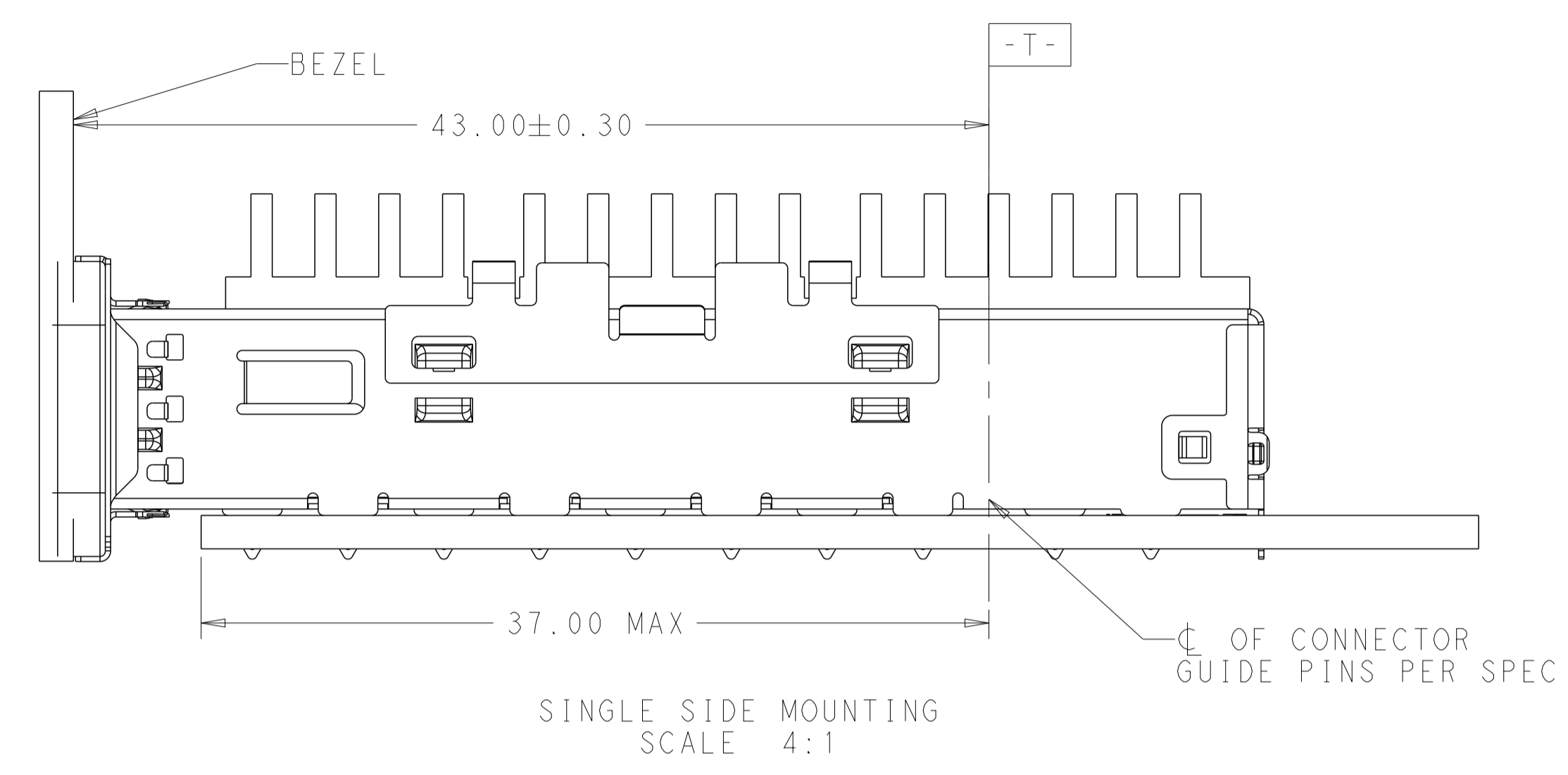
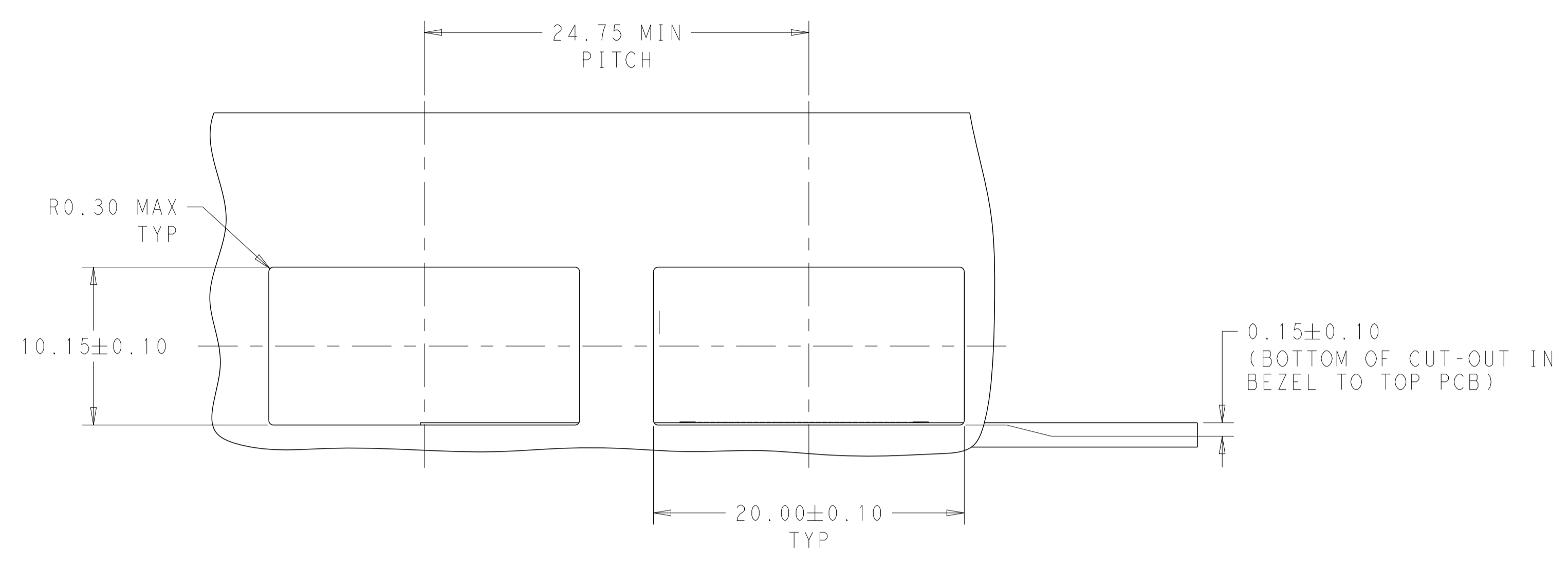
1 REAR LEG  
SCALE 5:1



0 REAR LEG  
SCALE 5:1

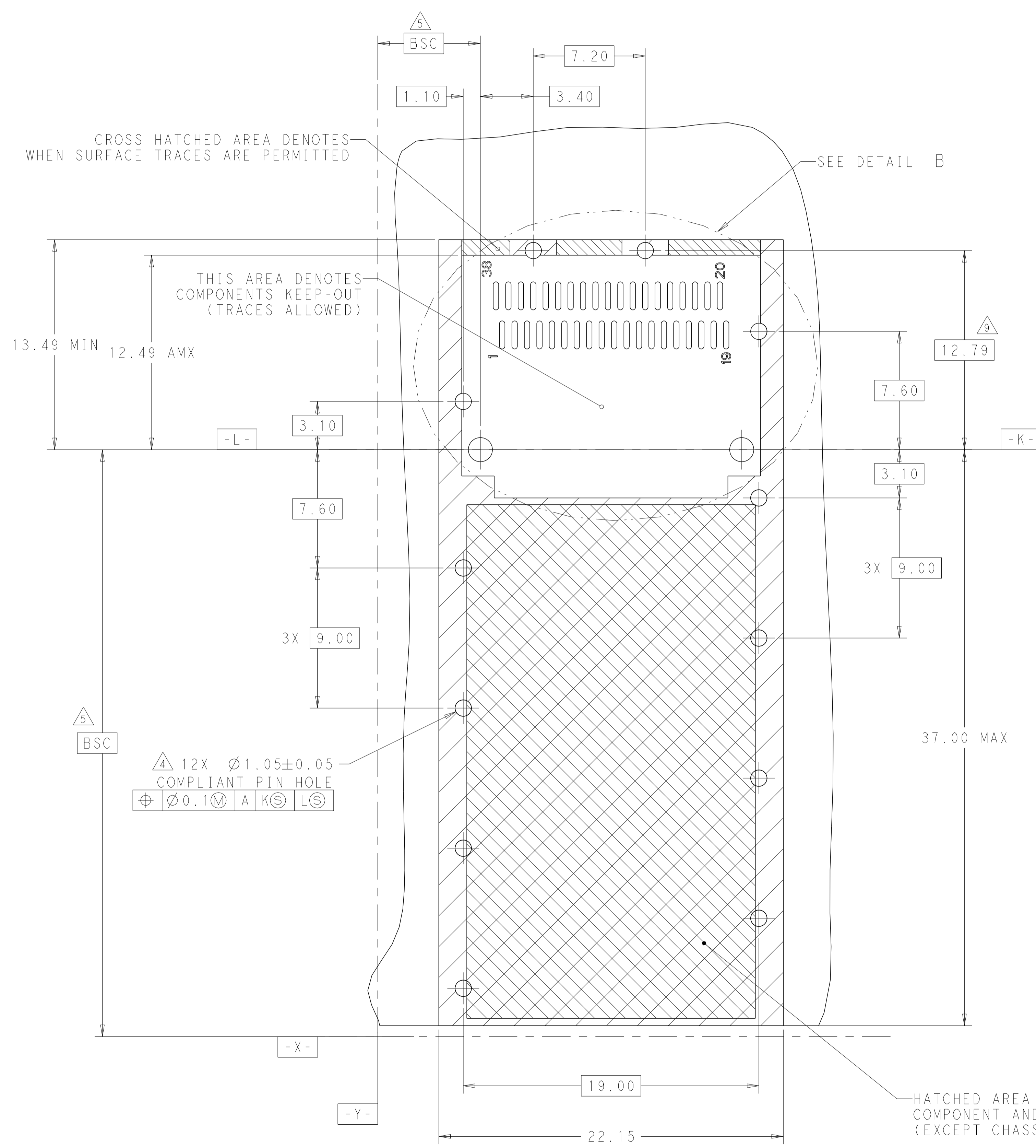
THIS DRAWING IS A CONTROLLED DOCUMENT.		DWN: JASON YANG 01APR2014	 TE Connectivity
		CHK: SEAN HAN 30DEC2015	
DIMENSIONS:		NAME: CAGE ASSEMBLY, QSFP28 1X1, THRU BEZEL, WITH EMI GASKET HEAT SINK	
TOLERANCES UNLESS OTHERWISE SPECIFIED:		PRODUCT SPEC: 108-19428	
mm		APPLICATION SPEC: 114-32023	
0 PLC ±0.25		SIZE: A1	
1 PLC ±0.25		CAGE CODE: 00779	
2 PLC ±0.25		DRAWING NO: 2170753	
3 PLC ±0.25		RESTRICTED TO: -	
4 PLC ±0.100		SCALE: 4:1	
ANGLES ±°		SHEET: 2 OF 5	
FINISH		REV: A1	
MATERIAL: -		Customer Drawing	

LOC	DIST	REVISIONS			
P	LTR	DESCRIPTION	DATE	DMN	APVD
rev_sym_1	18E6_8H6E111		rev.date	rev.dwn	rev.appr
rev_sym_2	rev_desc_2		rev.date	rev.dwn	rev.appr
rev_sym_3	rev_desc_3		rev.date	rev.dwn	rev.appr
rev_sym_4	rev_desc_4		rev.date	rev.dwn	rev.appr

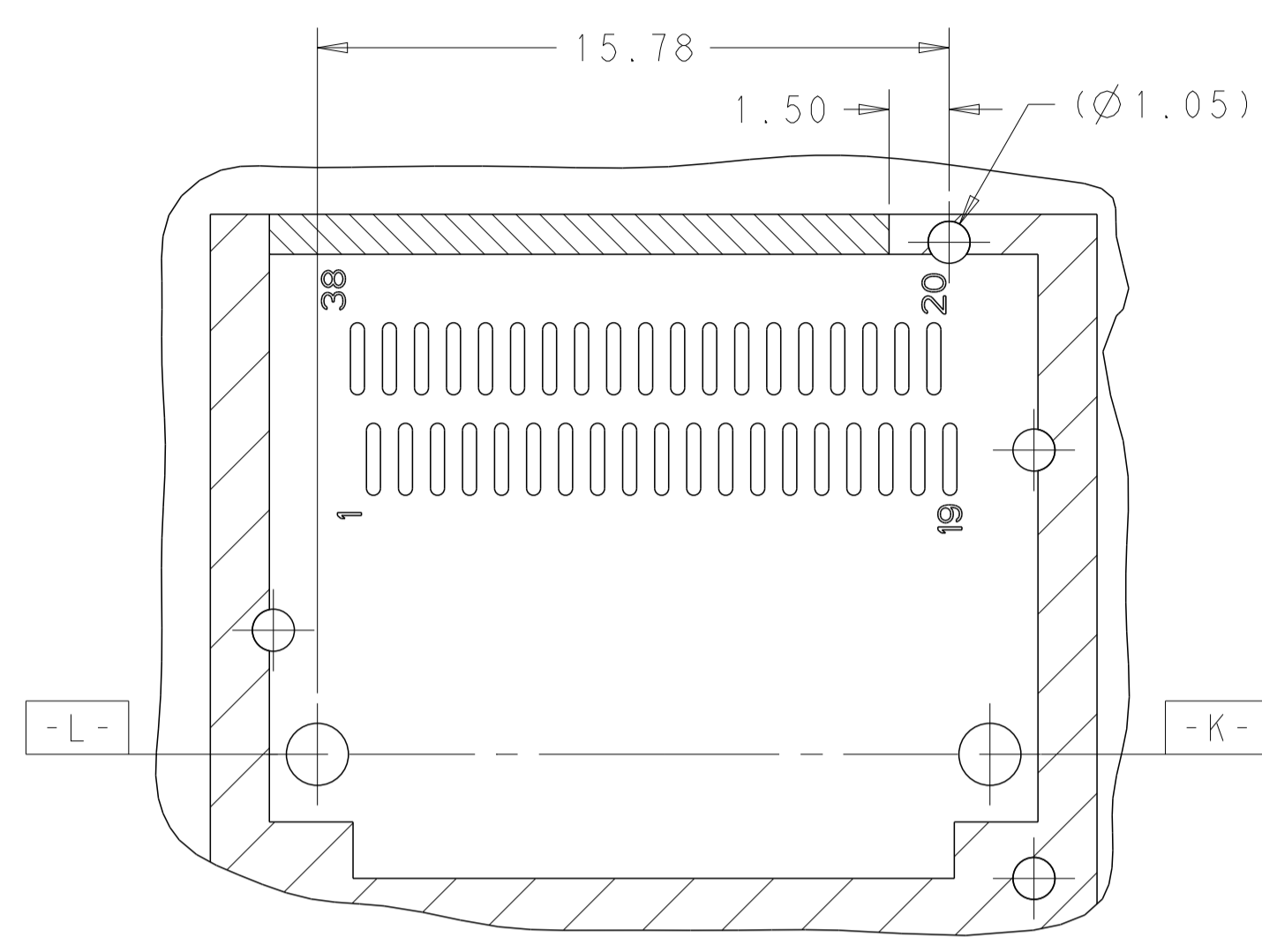


THIS DRAWING IS A CONTROLLED DOCUMENT.		DMN: JASON YANG 01APR2014	TE Connectivity
DIMENSIONS: mm		CHK: SEAN HAN 30DEC2015	
TOLERANCES UNLESS OTHERWISE SPECIFIED: 0 PLC ±0.25 1 PLC ±0.25 2 PLC ±0.25 3 PLC ±0.25 4 PLC ±0.100 ANGLES ±° FINISH ±		PRODUCT SPEC: 108-19428 APPLICATION SPEC: 114-32023 WEIGHT: - Customer Drawing	NAME: CAGE ASSEMBLY, QSFP28 1X1, THRU BEZEL, WITH EMI GASKET HEAT SINK SIZE: A1 CAGE CODE: 100779 DRAWING NO: C=2170753 RESTRICTED TO: - SCALE: 4:1 SHEET 3 OF 5 REV: A1

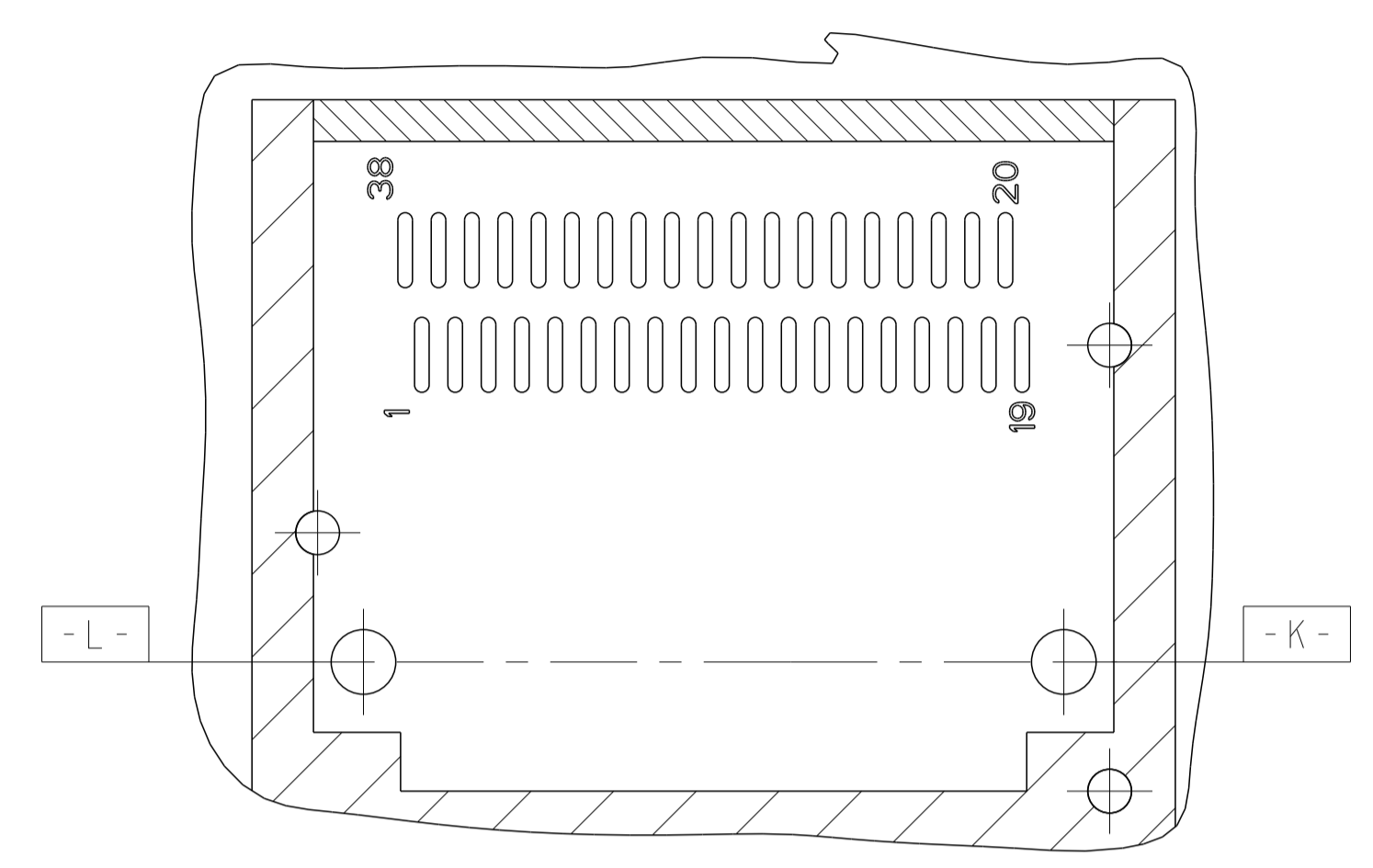
LOC	DIST	REVISIONS	DATE	DMN	APVD
		rev_sym_1866_8H6E111		rev_defect	dmn_bppr_1
		rev_sym_2rev_desc_2		rev_defect	dmn_bppr_2
		rev_sym_3rev_desc_3		rev_defect	dmn_bppr_3
		rev_sym_4rev_desc_4		rev_defect	dmn_bppr_4



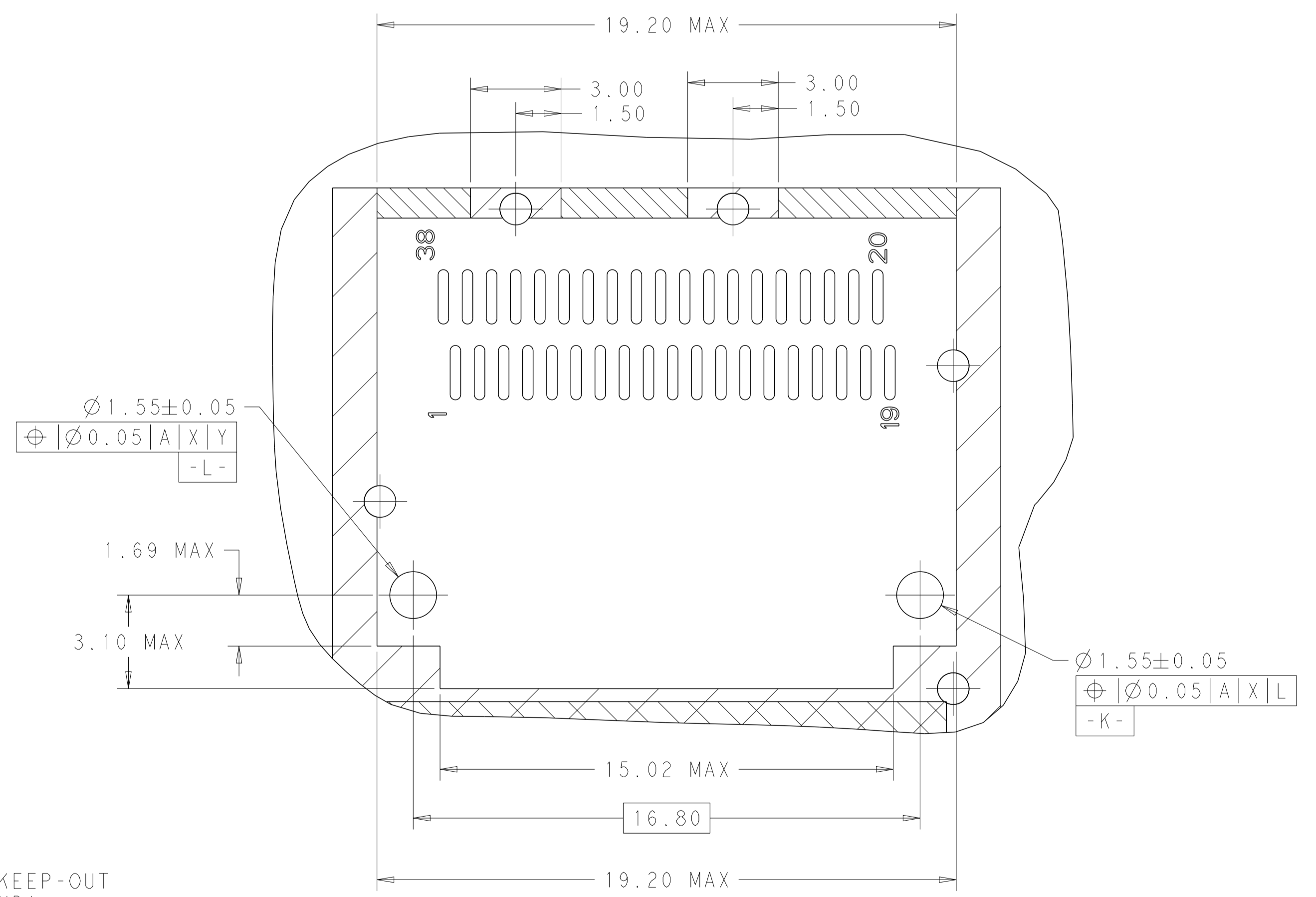
RECOMMENDED PCB LAYOUT  
 SINGLE TYPE OF 2 REAR HOLES OF LEGS  
 PCB TOLERANCE:  $\pm 0.05$   
 SCALE 6:1



RECOMMENDED PCB LAYOUT  
 SINGLE TYPE OF 1 REAR HOLES OF LEGS  
 PCB TOLERANCE:  $\pm 0.05$   
 SCALE 6:1



RECOMMENDED PCB LAYOUT  
 SINGLE TYPE OF 0 REAR HOLES OF LEGS  
 PCB TOLERANCE:  $\pm 0.05$   
 SCALE 6:1

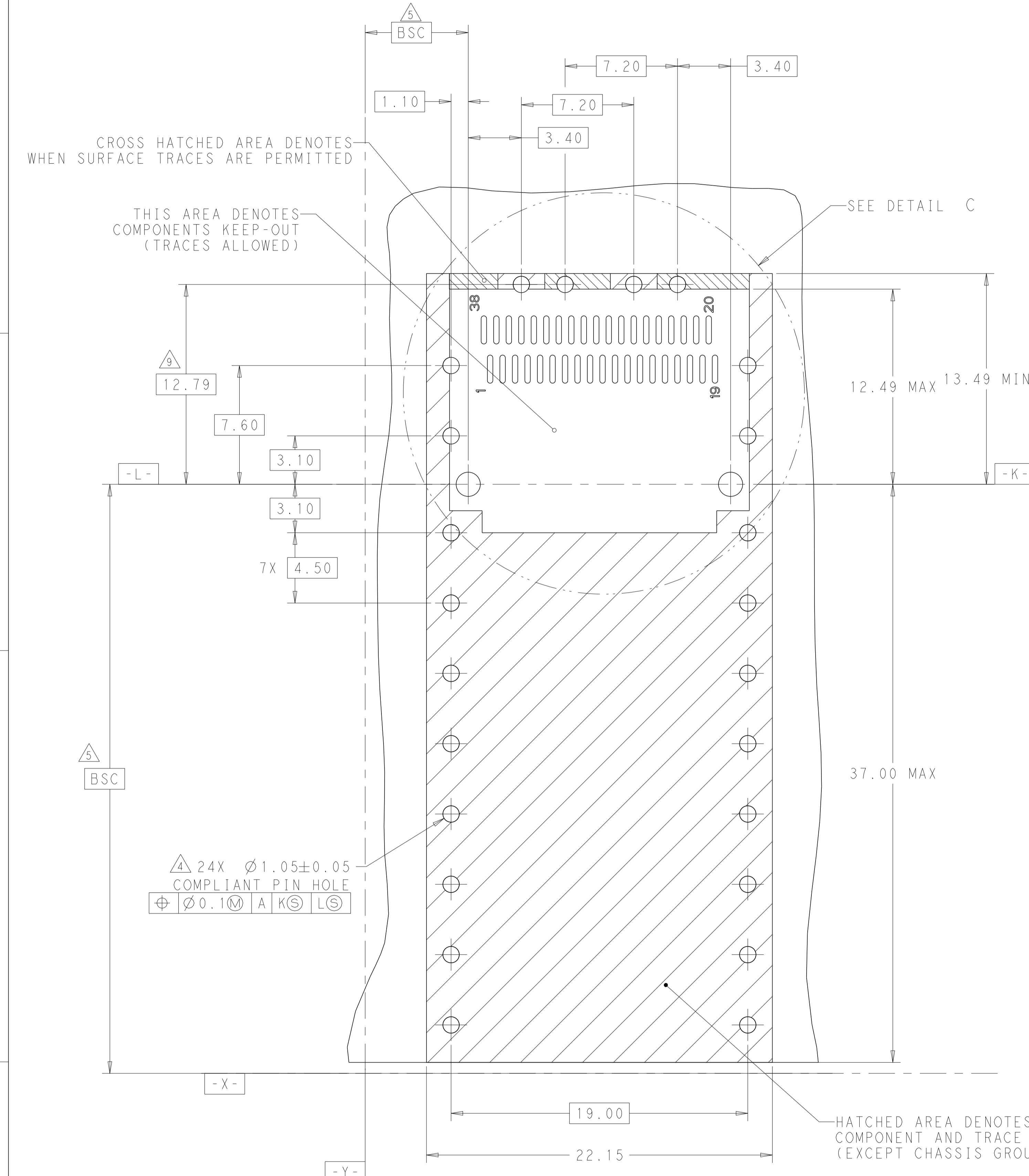


DETAIL B  
 SCALE 8:1

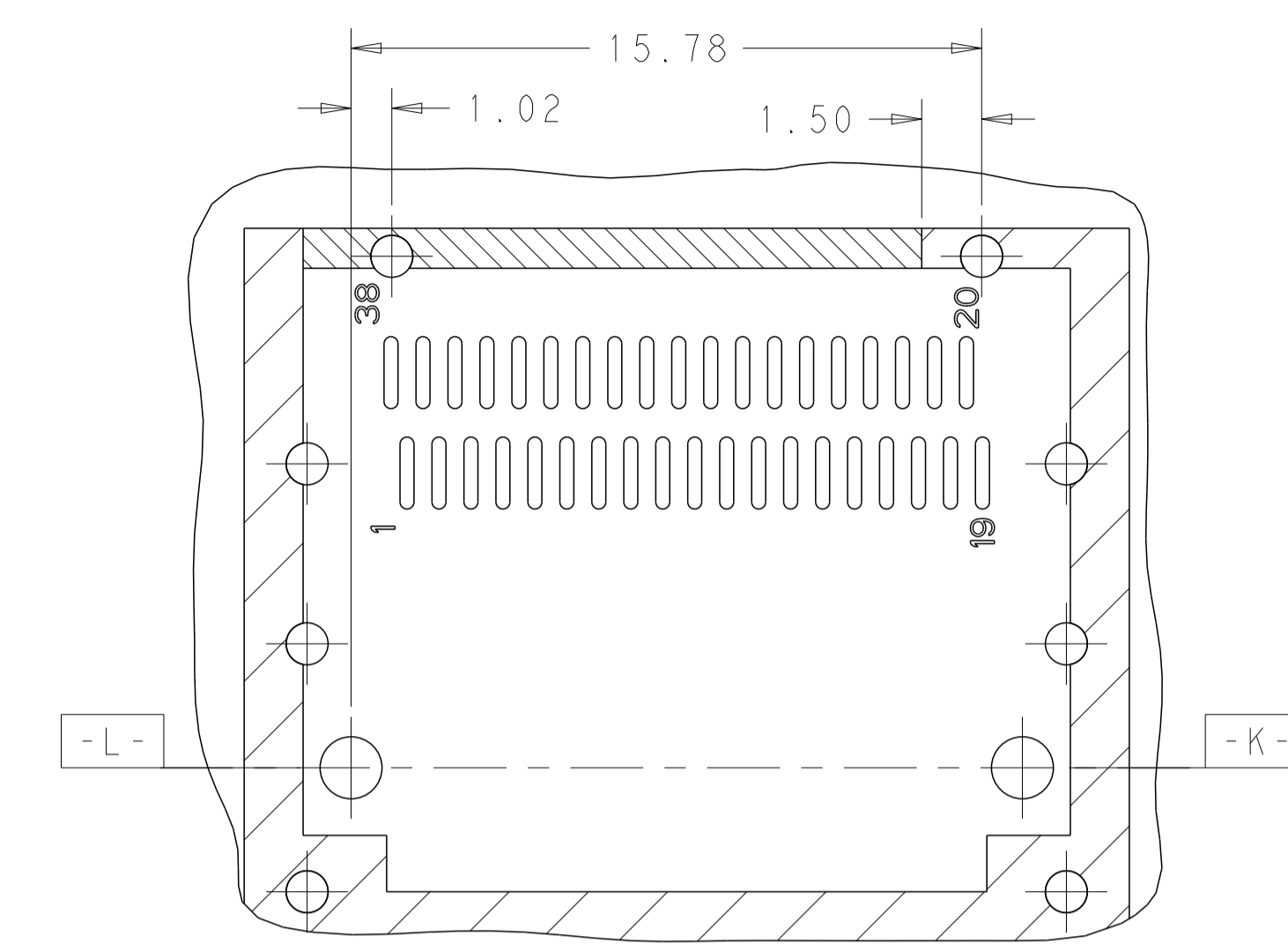
HATCHED AREA DENOTES COMPONENT AND TRACE KEEP-OUT (EXCEPT CHASSIS GROUND)

THIS DRAWING IS A CONTROLLED DOCUMENT.		DMN: JASON YANG 01APR2014	TE Connectivity
DIMENSIONS: mm		CHK: SEAN HAN 30DEC2015	
TOLERANCES UNLESS OTHERWISE SPECIFIED:		APVD:	NAME: CAGE ASSEMBLY, QSFP28 1X1, THRU BEZEL, WITH EMI GASKET HEAT SINK
0 PLC $\pm 0.25$	1 PLC $\pm 0.25$	PRODUCT SPEC: 108-19428	SIZE: A1
2 PLC $\pm 0.20$	3 PLC $\pm 0.100$	APPLICATION SPEC: 114-32023	CAGE CODE: 2170753
4 PLC $\pm$	ANGLES $\pm$	FINISH:	RESTRICTED TO: -
MATERIAL:	FINISH:	WEIGHT:	SCALE: 4:1 SHEET 4 OF 5 REV: A1
Customer Drawing			

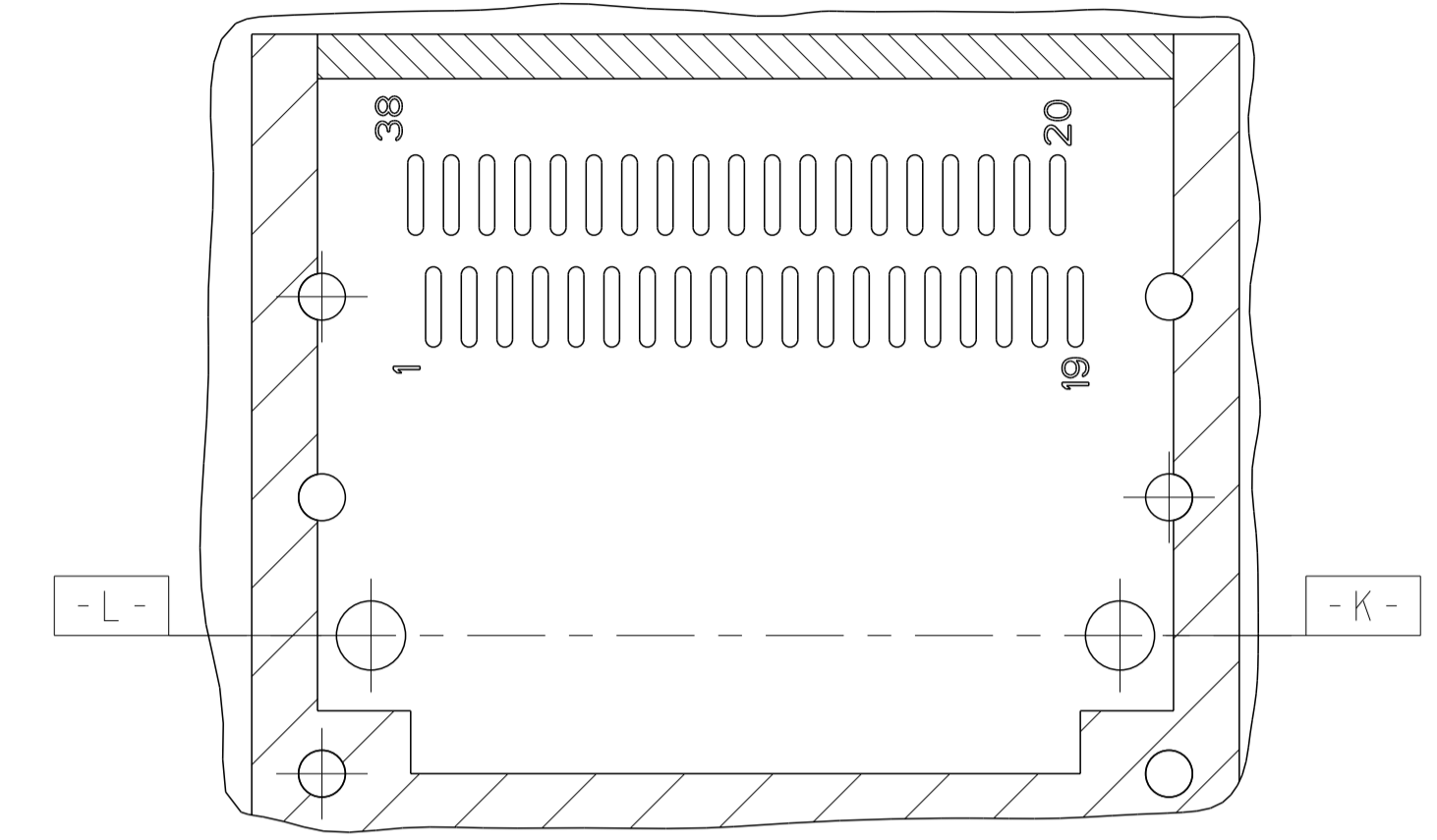
LOC	DIST	REVISIONS			
		REV. LTR	DESCRIPTION	DATE	DWN APVD
		rev_sym_1	REV. 8H6EII1		rev_defect_1 dwn_appr_1
		rev_sym_2	rev_desc_2		rev_defect_2 dwn_appr_2
		rev_sym_3	rev_desc_3		rev_defect_3 dwn_appr_3
		rev_sym_4	rev_desc_4		rev_defect_4 dwn_appr_4



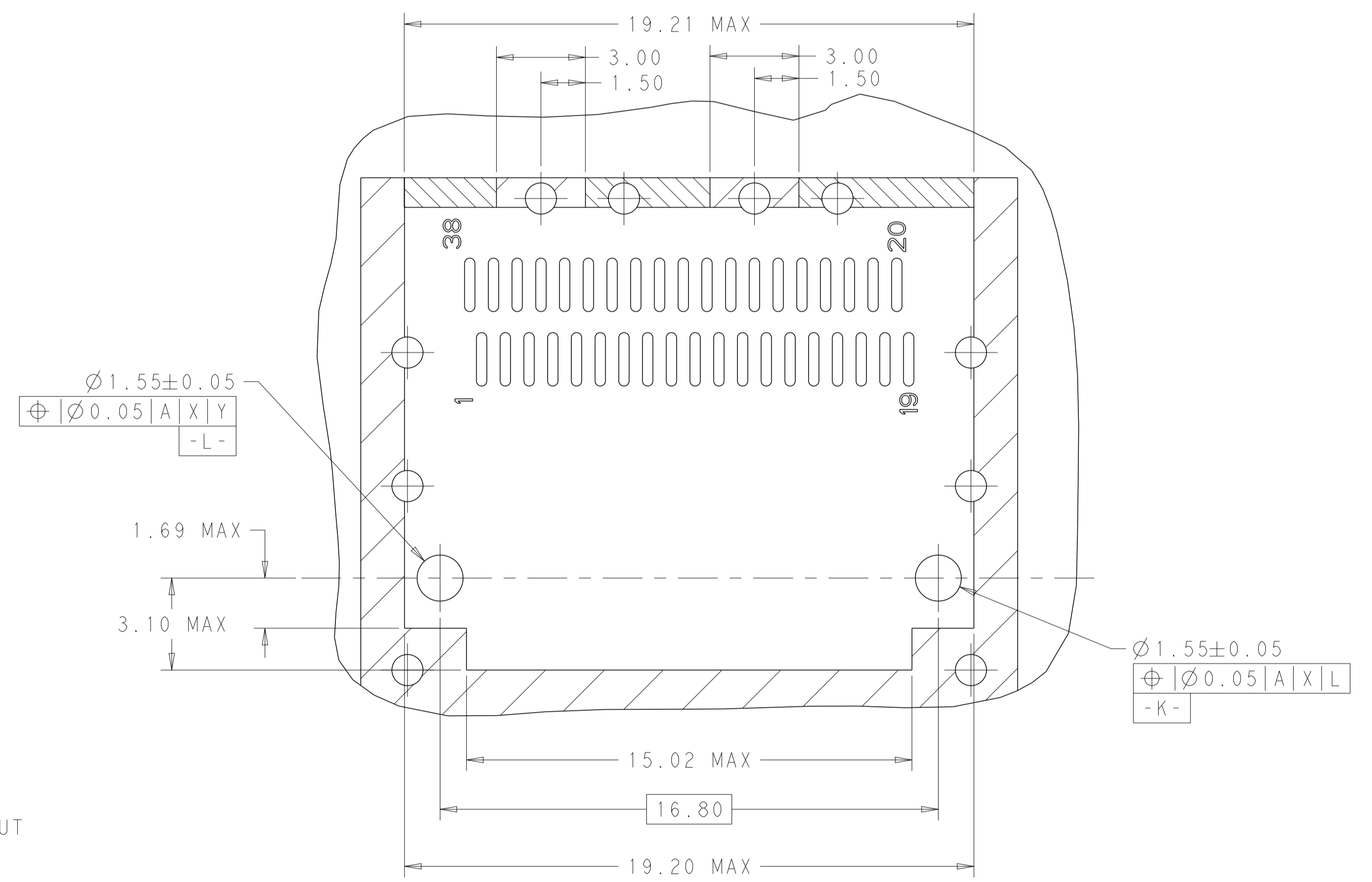
RECOMMENDED PCB LAYOUT  
 BELLY TO BELLY TYPE OF 2 REAR HOLES OF LEGS  
 PCB TOLERANCE: ±0.05  
 SCALE 6:1



RECOMMENDED PCB LAYOUT  
 BELLY TO BELLY TYPE OF 1 REAR HOLES OF LEGS  
 PCB TOLERANCE: ±0.05  
 SCALE 6:1



RECOMMENDED PCB LAYOUT  
 BELLY TO BELLY TYPE OF 0 REAR HOLES OF LEGS  
 PCB TOLERANCE: ±0.05  
 SCALE 6:1



DETAIL C  
 SCALE 8:1

THIS DRAWING IS A CONTROLLED DOCUMENT.		DWN: JASON YANG 01APR2014	TE Connectivity
DIMENSIONS: mm		CHK: SEAN HAN 30DEC2015	
TOLERANCES UNLESS OTHERWISE SPECIFIED:		APVD:	NAME: CAGE ASSEMBLY, QSFP28 1X1, THRU BEZEL, WITH EMI GASKET HEAT SINK
0 PLC	±0.25	PRODUCT SPEC:	108-19428
1 PLC	±0.25	APPLICATION SPEC:	114-32023
2 PLC	±0.20	SIZE:	A1
3 PLC	±0.100	CAGE CODE:	00779
4 PLC	±	DRAWING NO:	C=2170753
ANGLES:	±	RESTRICTED TO:	
FINISH:		SCALE:	4:1
MATERIAL:		SHEET:	5 of 5
		REV:	A1