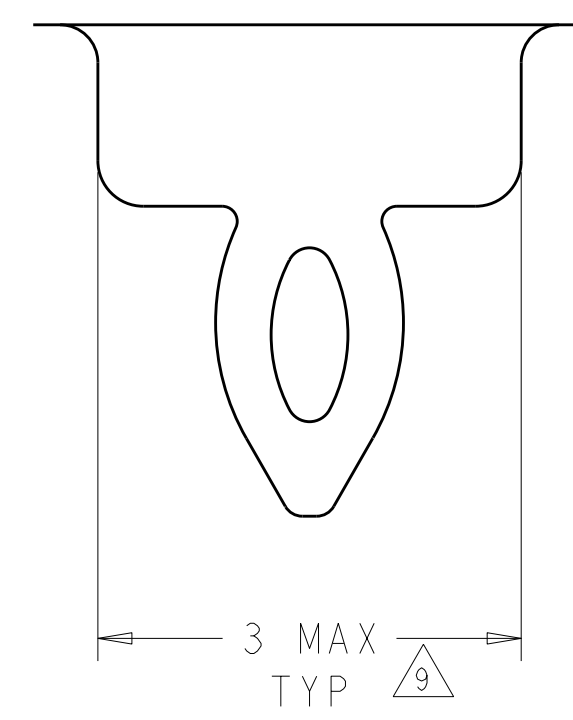
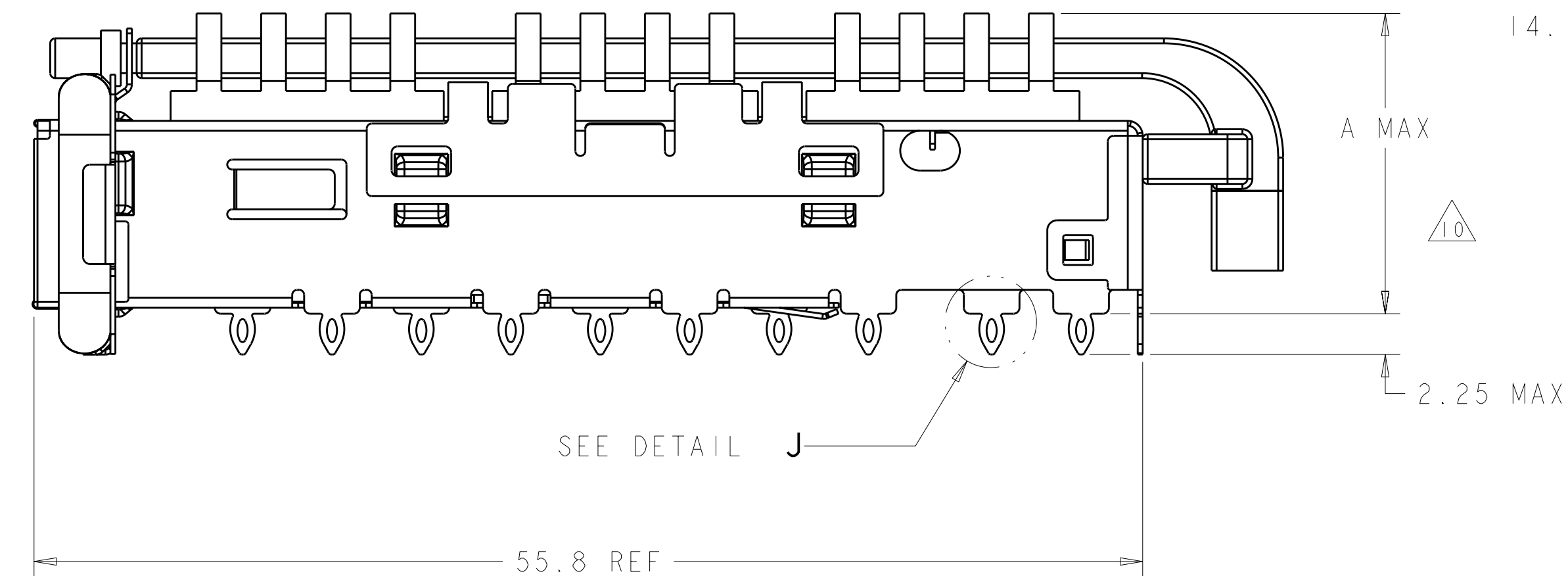
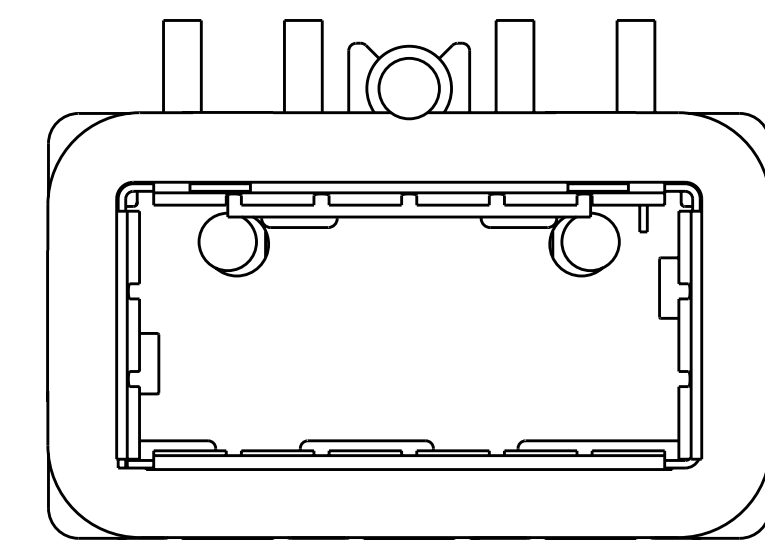
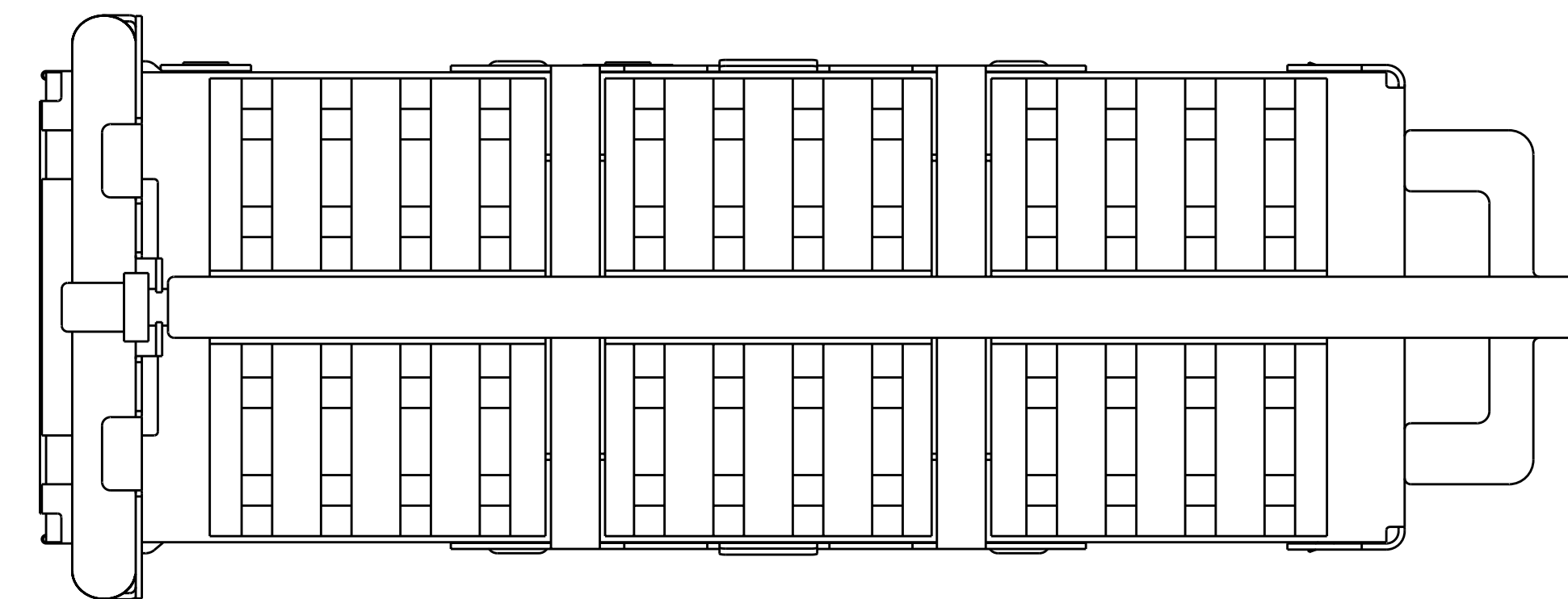
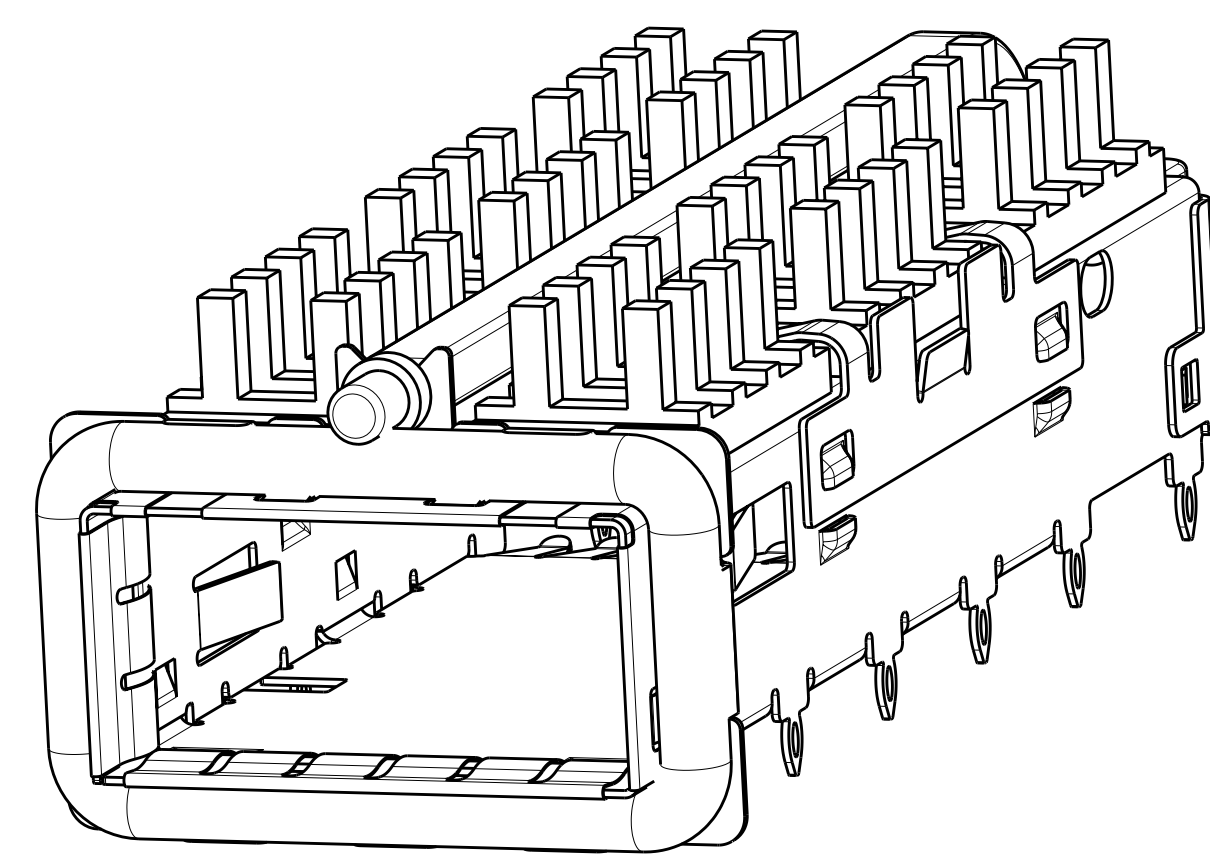
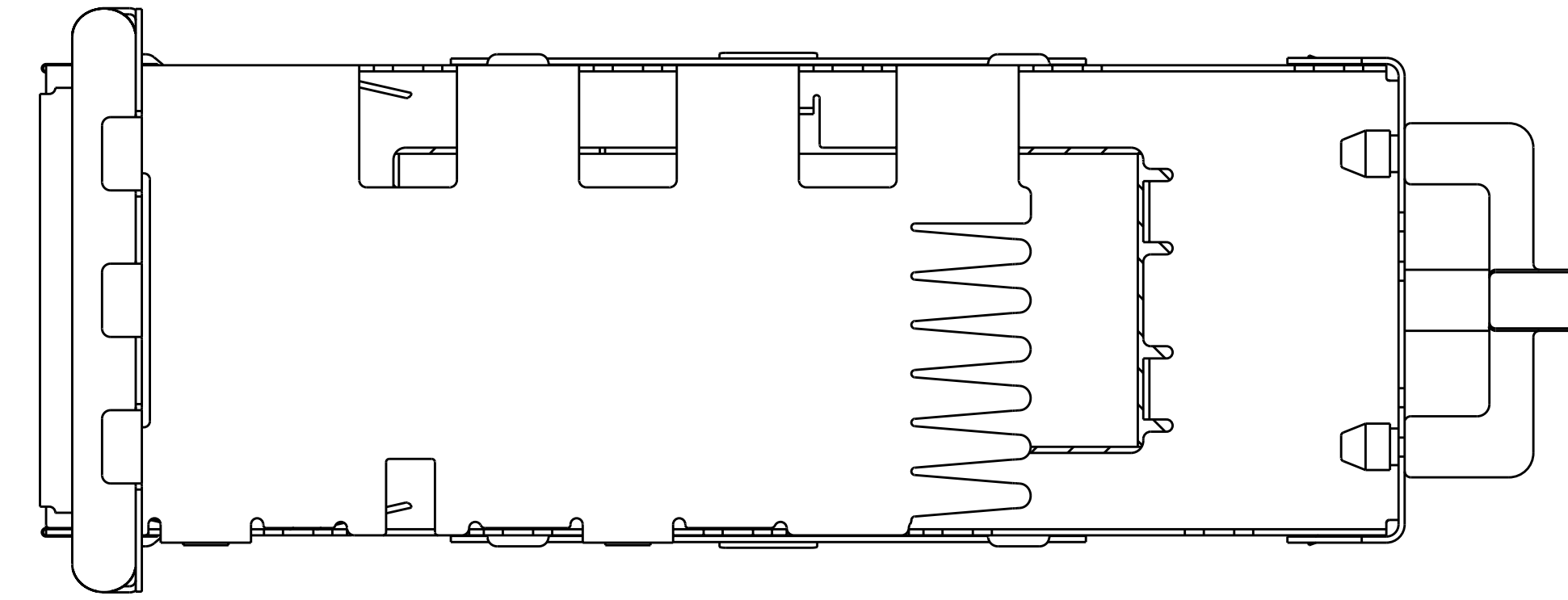


LOC	DIST	REVISIONS			
ES	00	REV	DATE	BY	APPD
		1	11SEP2011	KS	MO, W
		2	12SEP2011	KS	MO, W
		3	18NOV2011	KS	AC



DETAIL J
SCALE 20:1



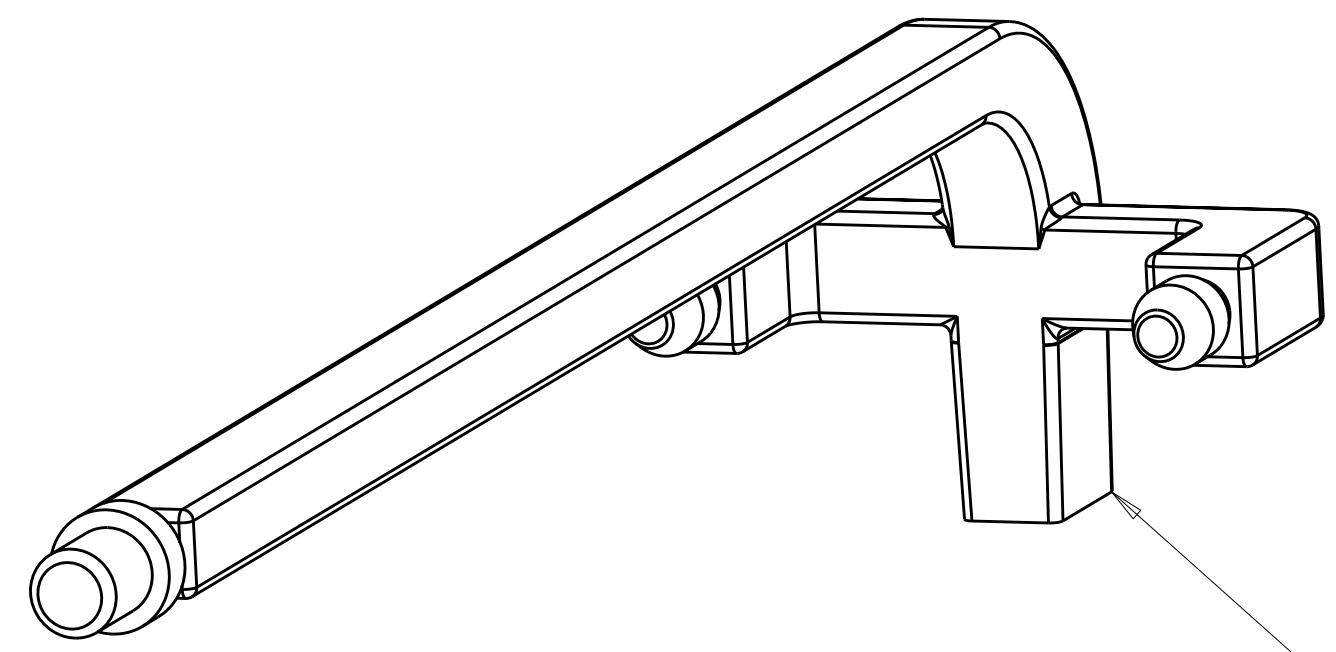
- 1. CAGE MATERIAL: NICKEL SILVER, 0.25 THICK
 HEAT SINK MATERIAL: ALUMINUM
 HEAT SINK CLIP MATERIAL: STAINLESS STEEL
 LIGHT PIPE MATERIAL: CLEAR POLYCARBONATE, UL-94V-0 RATED.
 EMI SPRING MATERIAL: COPPER ALLOY
- 2. MINIMUM PITCH DIMENSION.
- 3. MATES WITH QSFP MSA COMPATIBLE TRANSCEIVER.
- 4. REFERENCE APPLICATION SPEC 114-13217 FOR RECOMMENDED DRILL HOLE DIAMETER AND PLATING THICKNESS.
- 5. DATUMS AND BASIC DIMENSIONS ESTABLISHED BY CUSTOMER.
- 6. MINIMUM PC BOARD THICKNESS:
 SINGLE SIDED = 1.45mm (shown, pg. 4)
 DOUBLE SIDED = 2.2mm
- 7. HEAT SINK, CLIP, AND LIGHT PIPE SHIPPED ASSEMBLED TO CAGE ASSEMBLY. CAGE ASSEMBLY MAY BE PRESSED INTO THE PCB AS SHIPPED.
- 8. DATUM -A- IS TOP SURFACE OF HOST BOARD.
- 9. SURFACE TRACES PERMITTED WITHIN THIS AREA EXCEPT WHERE CAGE STANDOFFS, SHOWN IN DETAIL J, CONTACT PC BOARD.
- 10. DIMENSION APPLIES WITH MODULE INSTALLED IN THE CAGE TO TOP OF HEAT SINK.
- 11. MAXIMUM HEIGHT OF CUSTOMER SUPPLIED LED OFF PC BOARD: 1.70mm.
- 12. DATE CODE (YYWWD) MARKED ON TOP OF CAGE AND CONCEALED BY HEAT SINK APPLIES TO CAGE ASSEMBLY ONLY.
- 13. SPRING FINISH: MATT TIN 2µm MIN, NON-PLATED EDGES PERMISSIBLE.
- 14. PRODUCT HAS NOT COMPLETED QUALIFICATION TESTING.

DESIGN APPROVED THIS PRINT IS
PRELIMINARY
 TO FIRST PIECE APPROVAL
 CONTACT PRODUCT ENGINEERING
 BEFORE USING THIS PRINT

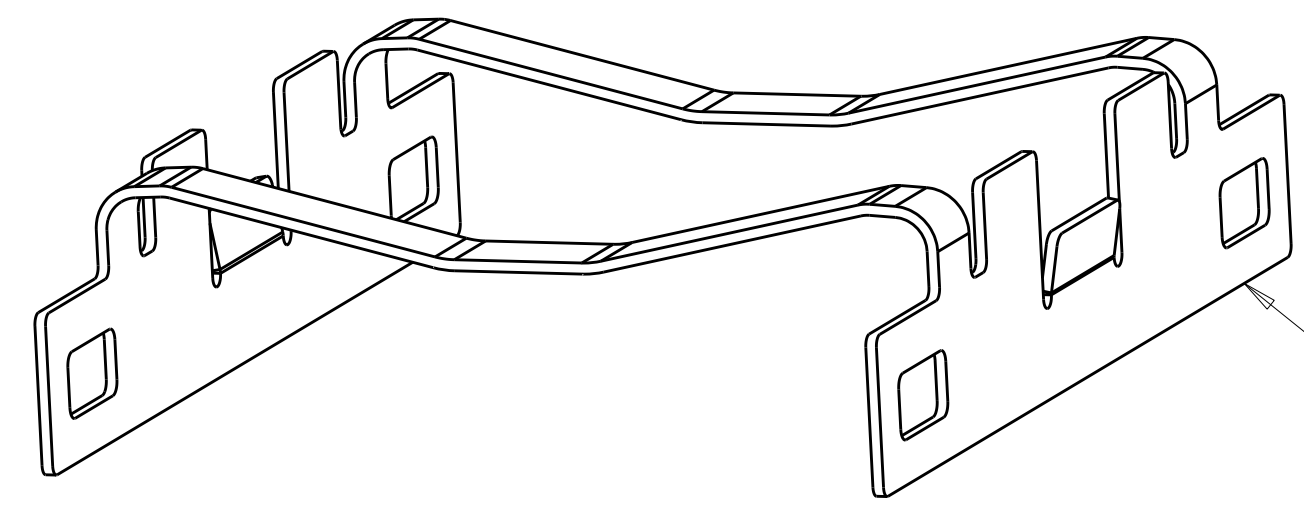
23.0	NETWORKING HEAT SINK	2170141-2
16.0	SAN HEAT SINK	2170141-1
A	DESCRIPTION	PART NUMBER

THIS DRAWING IS A CONTROLLED DOCUMENT.		DWN K. SUN 01SEP2011	TE Connectivity
DIMENSIONS: mm		CHK S. YAN 08SEP2011	
TOLERANCES UNLESS OTHERWISE SPECIFIED:		APPD C. WANG 08SEP2011	NAME CAGE ASSEMBLY, THRU BEZEL, QSFP, W/ HEAT SINK, EMI GASKET AND SINGLE LIGHT PIPE
0 PLC ±	1 PLC ±0.5	PRODUCT SPEC 108-2286	SIZE CAGE CODE DRAWING NO 114-13217
2 PLC ±0.13	3 PLC ±0.13	APPLICATION SPEC	RESTRICTED TO
4 PLC ±0.013	5 PLC ±0.001	WEIGHT	A100779C=2170141
ANGLES ±	FINISH	CUSTOMER DRAWING	SCALE 4:1 SHEET 1 OF 4 REV 3

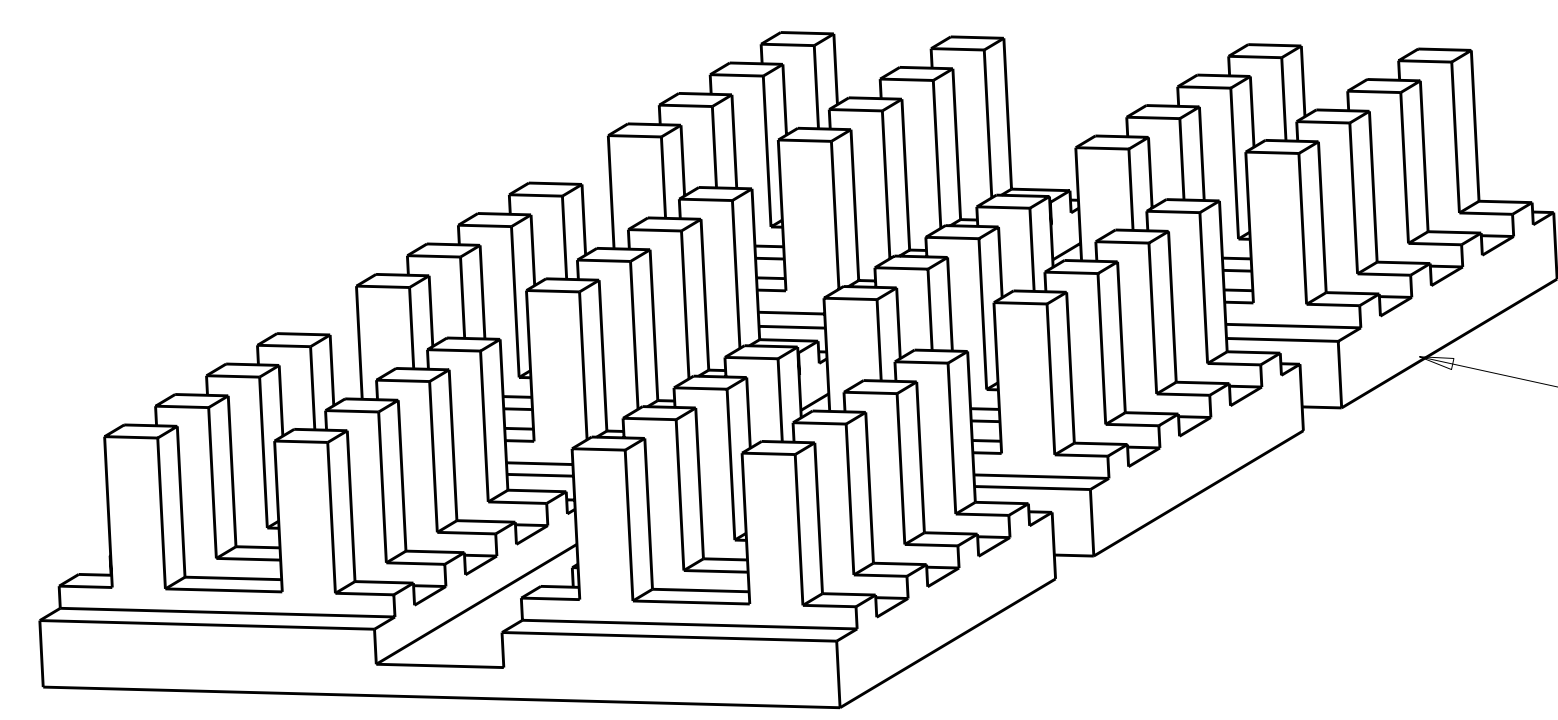
LOC	DIST	REVISIONS			
ES	00	REV	DATE	BY	APPD
-	-	SEE SHEET 1	-	-	-



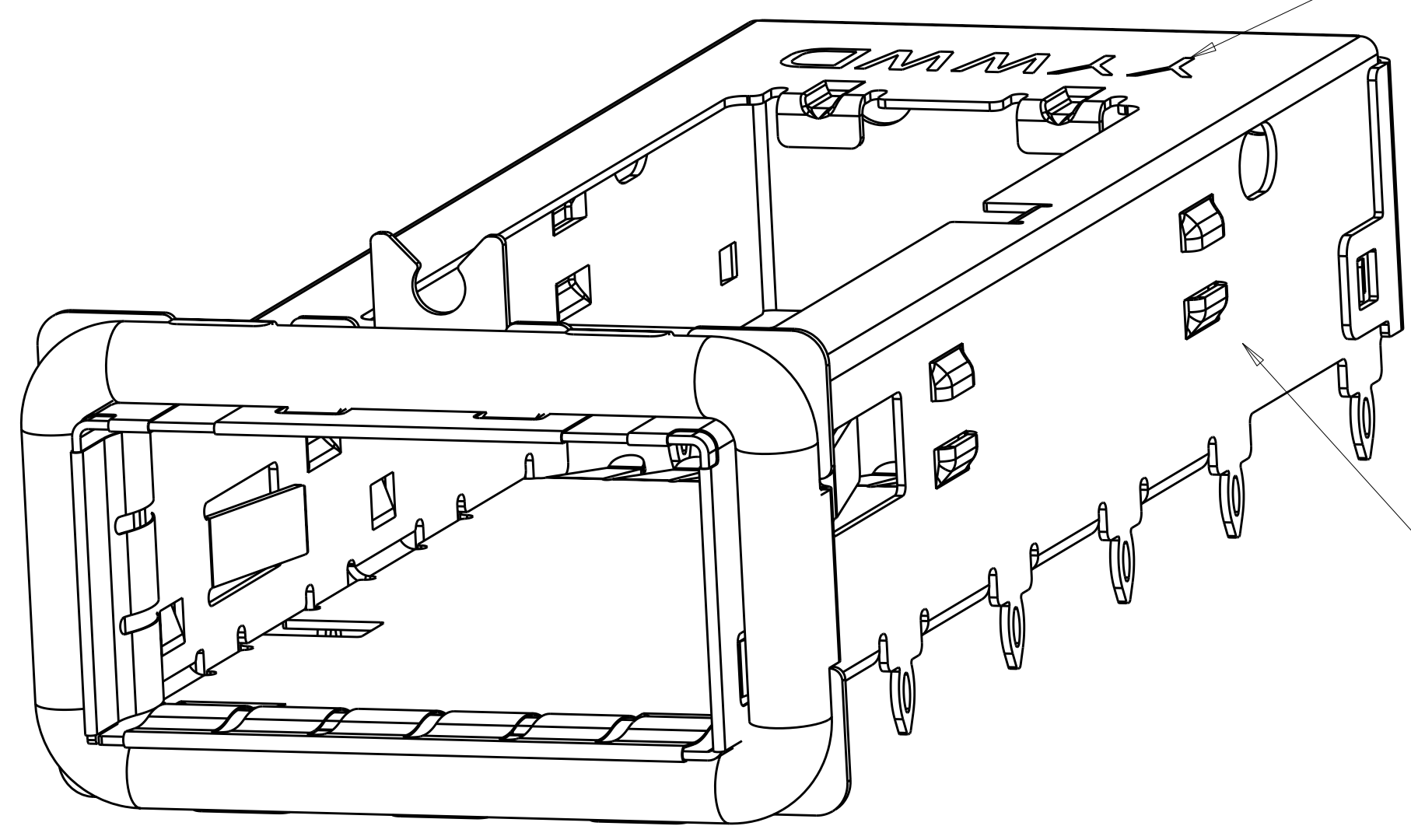
SINGLE LIGHT PIPE



HEAT SINK CLIP



HEAT SINK

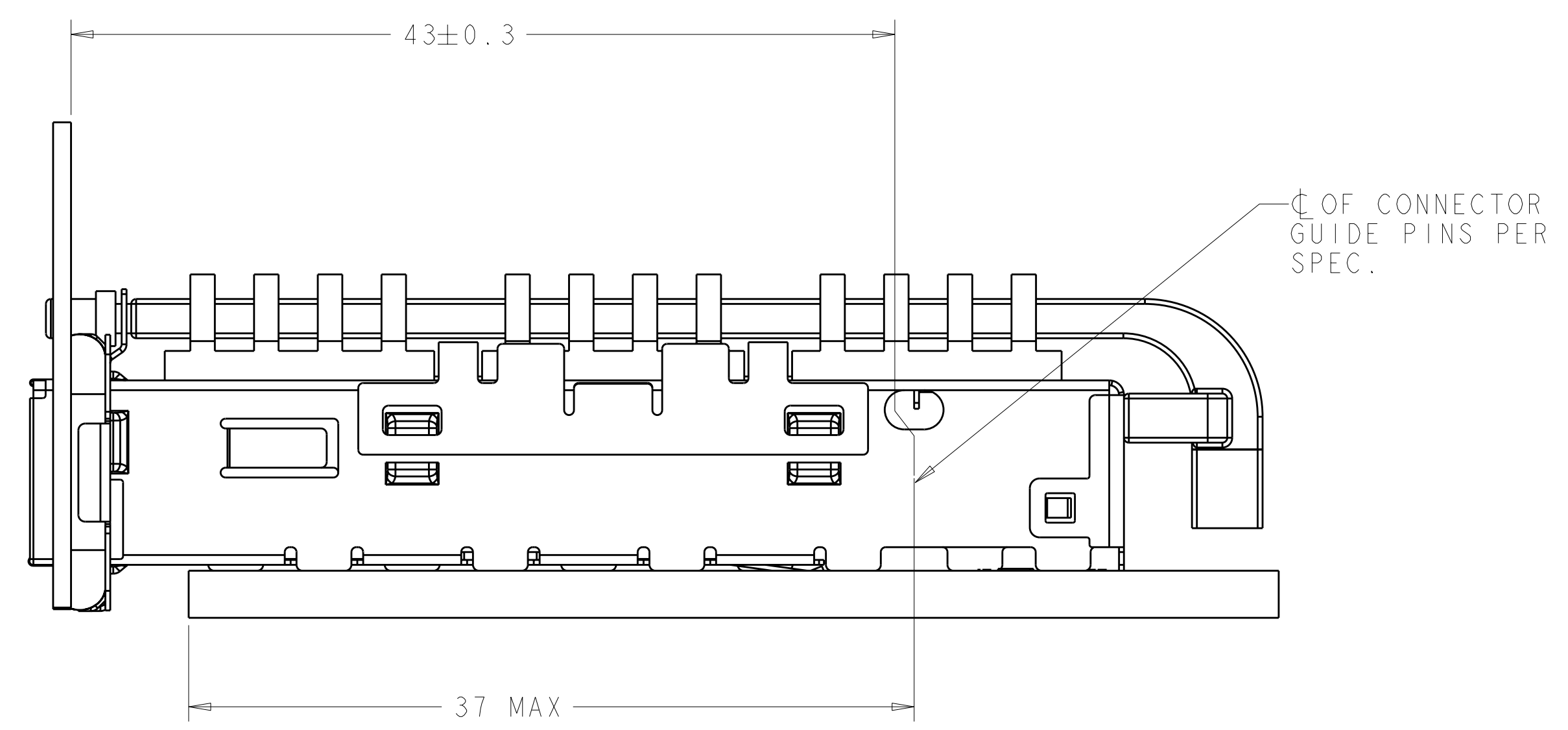
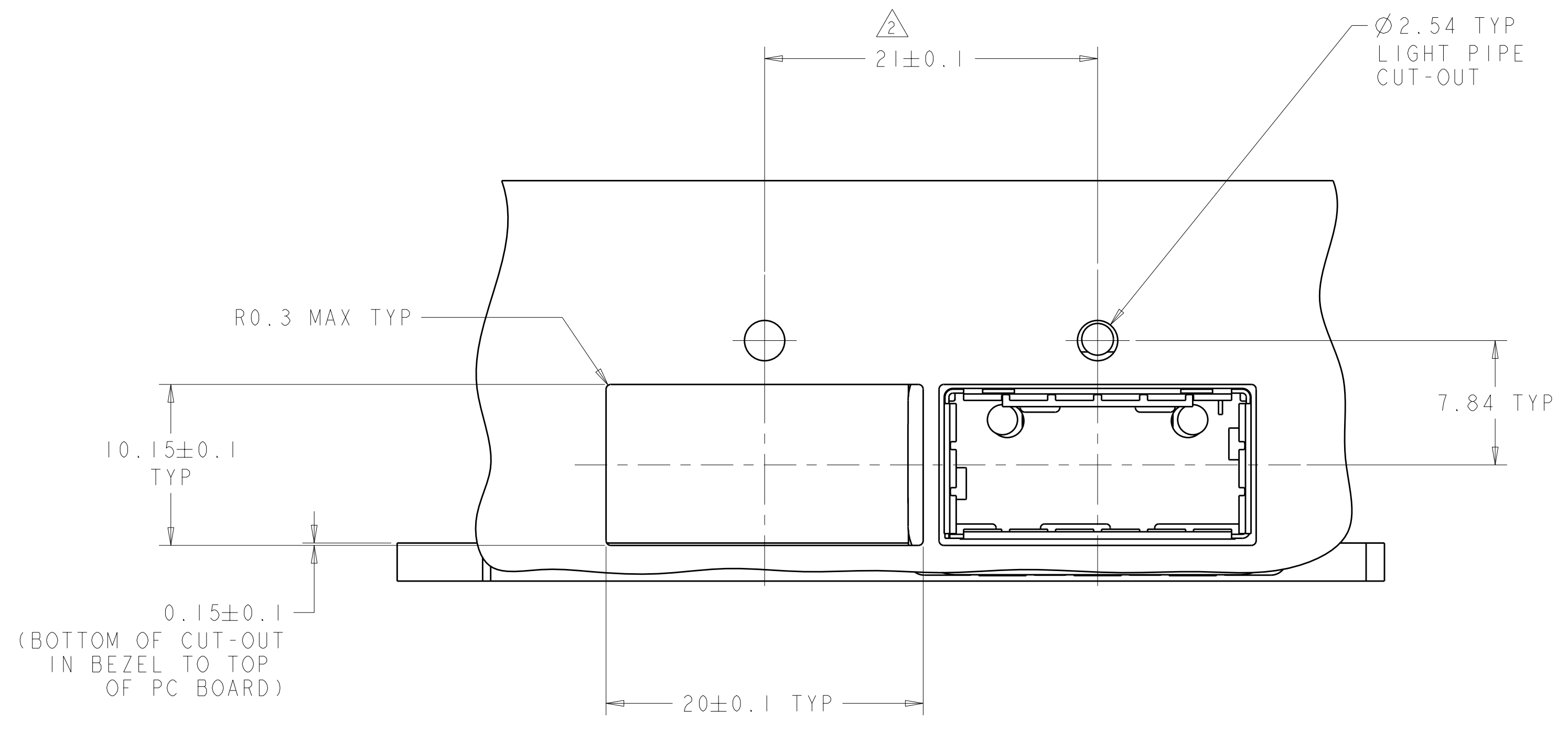


SINGLE QSFP CAGE
W/EMI GASKET AND PLATE

EXPLODED ISOMETRIC VIEW
SCALE 6:1

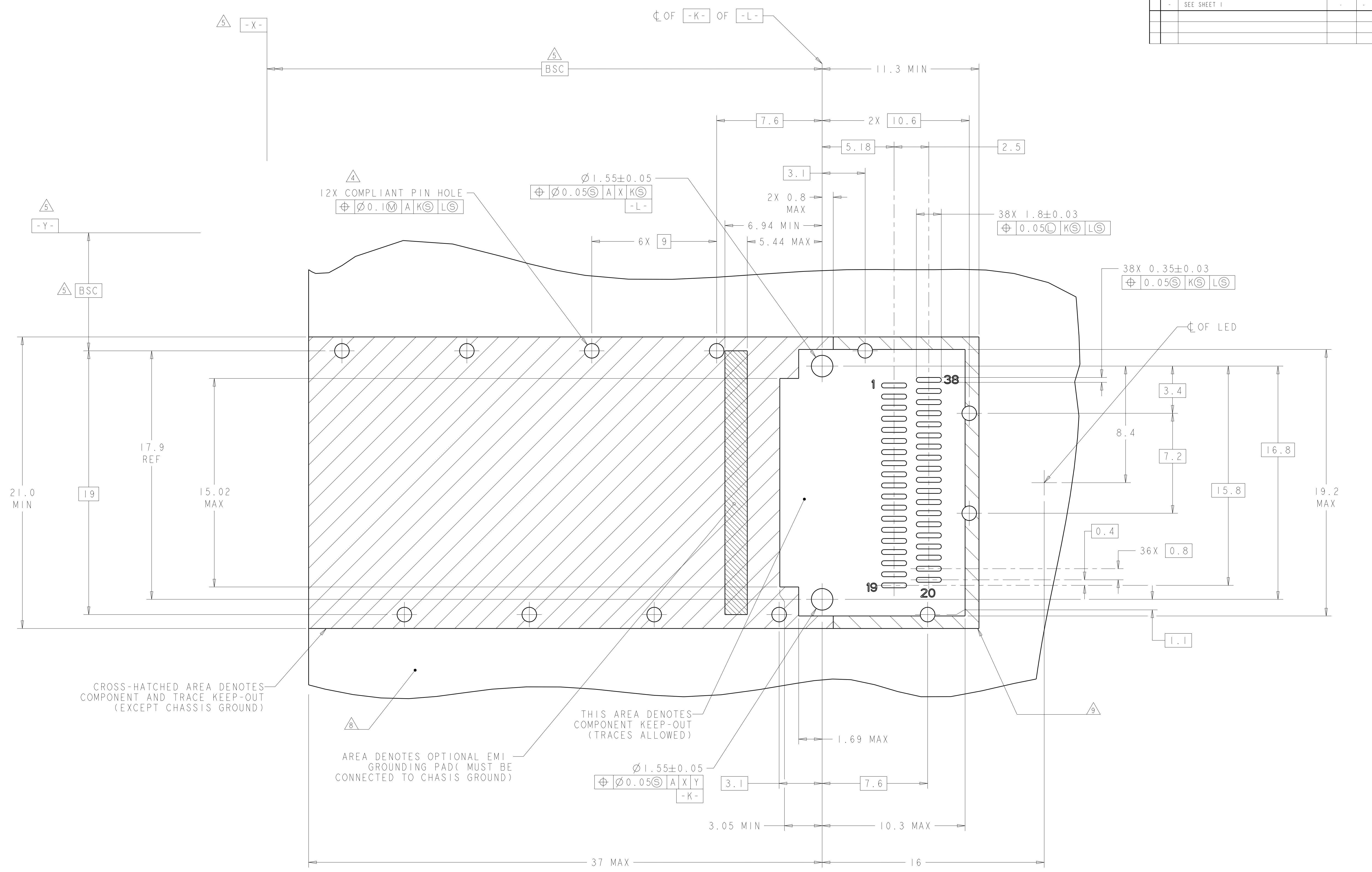
THIS DRAWING IS A CONTROLLED DOCUMENT.		DWN R. SUN 01SEP2011	TE Connectivity NAME CAGE ASSEMBLY, THRU BEZEL, QSFP, W/ HEAT SINK, EMI GASKET AND SINGLE LIGHT PIPE
DIMENSIONS: mm		CHK S. YAN 08SEP2011	
TOLERANCES UNLESS OTHERWISE SPECIFIED: 0 PLC ±.5 1 PLC ±0.13 2 PLC ±0.13 3 PLC ±0.013 4 PLC ±0.001 ANGLES ±.0001		APVD C. WANG 08SEP2011	PRODUCT SPEC 108-2286
		MATERIAL -	APPLICATION SPEC 114-13217
FINISH -		WEIGHT -	SIZE CAGE CODE DRAWING NO A100779C-2170141
CUSTOMER DRAWING		SCALE 4:1	RESTRICTED TO SHEET 2 OF 4 REV 3

LOC	DIST	REV	DATE	BY	APPD
ES	00				



THIS DRAWING IS A CONTROLLED DOCUMENT.		DWN R. SUN 01SEP2011	TE Connectivity
DIMENSIONS: mm		CHK S. YAN 08SEP2011	
TOLERANCES UNLESS OTHERWISE SPECIFIED:		APVD C. WANG 08SEP2011	NAME CAGE ASSEMBLY, THRU BEZEL, QSFP, W/ HEAT SINK, EMI GASKET AND SINGLE LIGHT PIPE
0 PLC ± 1 PLC ±0.5 2 PLC ±0.13 3 PLC ±0.013 4 PLC ±0.001 ANGLES ±	PRODUCT SPEC 108-2286 APPLICATION SPEC 114-13217	SIZE A100779	DRAWING NO C=2170141
MATERIAL	FINISH	WEIGHT	RESTRICTED TO
		CUSTOMER DRAWING	SCALE 4:1 SHEET 3 OF 4 REV 3

LOC	DIST	REV	DATE	BY	APPD
ES	00				
REVISIONS					
		1	SEE SHEET 1		



CROSS-HATCHED AREA DENOTES COMPONENT AND TRACE KEEP-OUT (EXCEPT CHASSIS GROUND)

THIS AREA DENOTES COMPONENT KEEP-OUT (TRACES ALLOWED)

AREA DENOTES OPTIONAL EMI GROUNDING PAD (MUST BE CONNECTED TO CHASSIS GROUND)

THIS AREA DENOTES COMPONENT KEEP-OUT (TRACES ALLOWED)

Ø1.55±0.05
 Ø0.05 S A X Y
 -K-

RECOMENDED PC BOARD LAYOUT
 SCALE 8:1

THIS DRAWING IS A CONTROLLED DOCUMENT.		DWN R. SUN 01SEP2011	TE Connectivity
DIMENSIONS: mm		CHK S. YAN 08SEP2011	
TOLERANCES UNLESS OTHERWISE SPECIFIED:		APVD C. WANG 08SEP2011	NAME CAGE ASSEMBLY, THRU BEZEL, QSFP, W/ HEAT SINK, EMI GASKET AND SINGLE LIGHT PIPE
9 PLC ±0.5 3 PLC ±0.13 5 PLC ±0.013 4 PLC ±0.001 ANGLES ±0.001		PRODUCT SPEC 108-2286	SIZE A100779C=2170141
MATERIAL: -		APPLICATION SPEC 114-13217	RESTRICTED TO
FINISH: -		WEIGHT: -	CUSTOMER DRAWING
		SCALE 4:1	SHEET 4 OF 4 REV 3