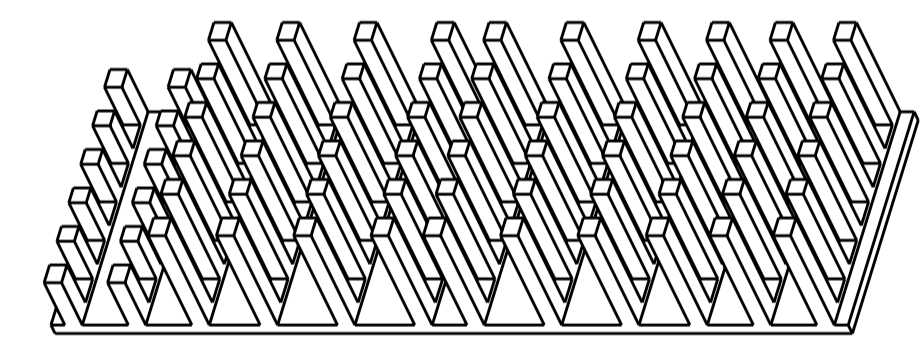
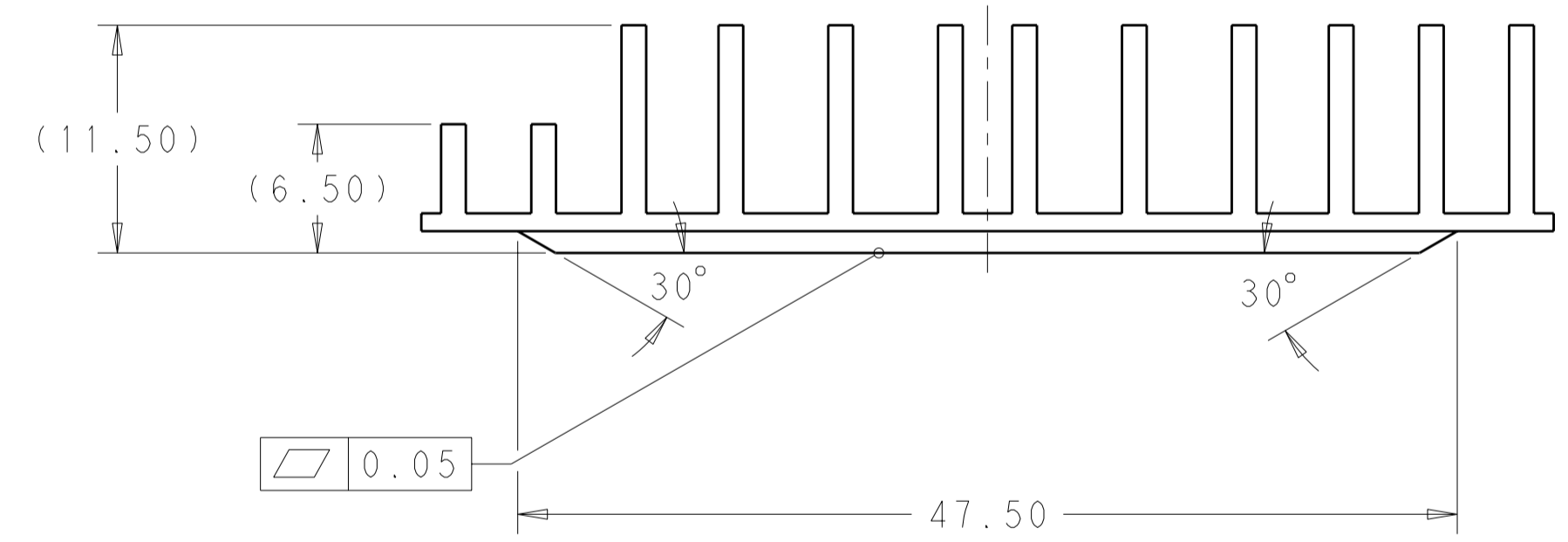
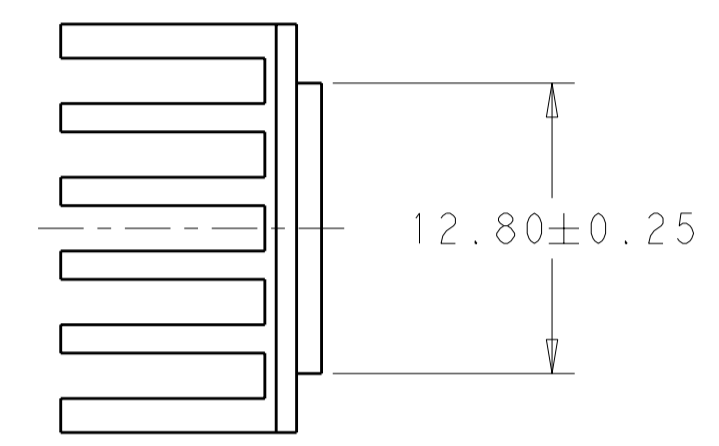
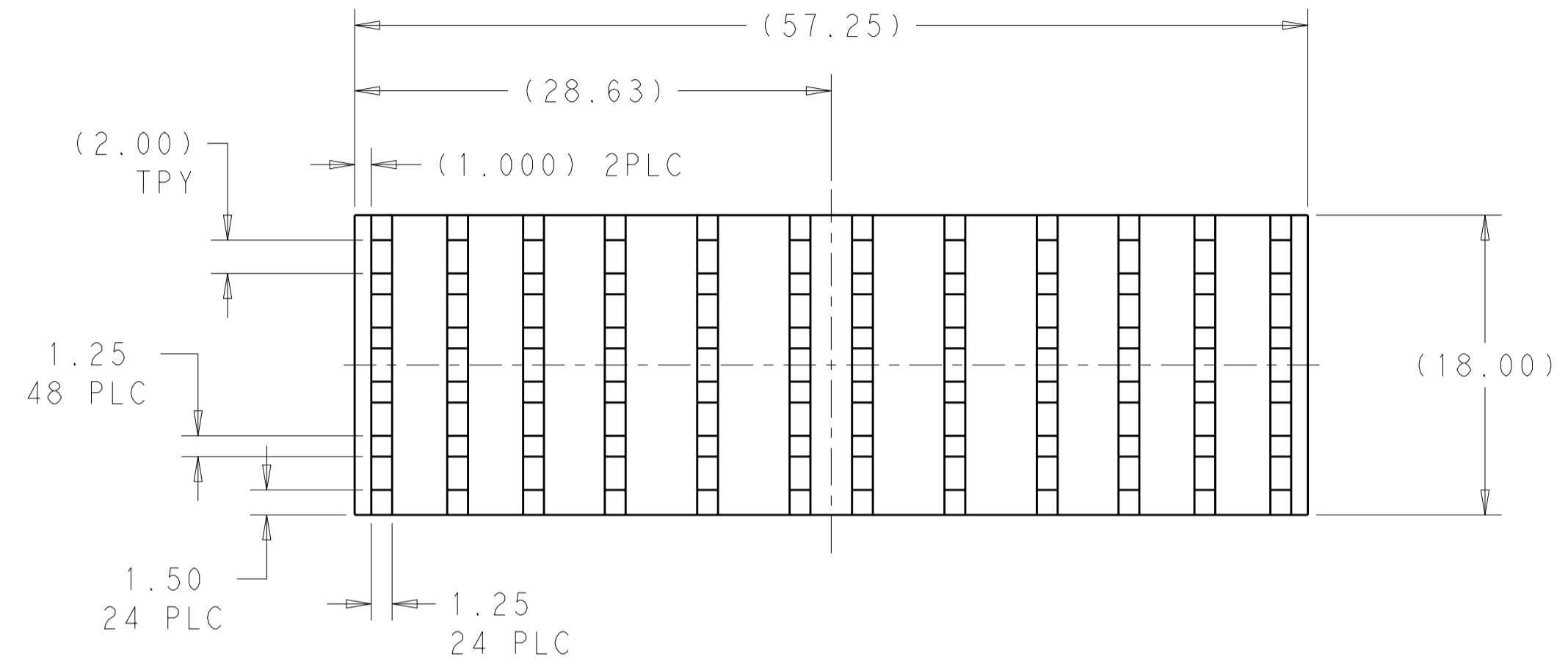


THIS DRAWING IS UNPUBLISHED. RELEASED FOR PUBLICATION
 © COPYRIGHT 2011 BY TYCO ELECTRONICS CORPORATION. ALL RIGHTS RESERVED.

LOC		DIST		REVISIONS			
P	LTR	DESCRIPTION	DATE	DWN	APVD		
	2	PROPOSAL	12JAN2011	KS	MQ.W		
	A	RELEASE PER ECR-11-000740	24MAR2011	KS	MQ.W		



SCALE 2:1

PART NUMBER
2170040-2

NOTES: UNLESS OTHERWISE SPECIFIED:
 1. INTERPRET DRAWING PER ASME Y14.5-1994.
 2 MATERIAL: 6063-T5 ALUMINUM;
 3 FINISH: ELECTROLESS NICKEL;

THIS DRAWING IS A CONTROLLED DOCUMENT FOR TYCO ELECTRONICS CORPORATION. IT IS SUBJECT TO CHANGE AND THE CONTROLLING ENGINEERING ORGANIZATION SHOULD BE CONTACTED FOR THE LATEST REVISION.		DWN KINSEN SUN 12JAN2011	TE Connectivity Shanghai, China, 200223	
DIMENSIONS: mm		CHK DENNY ZHU 12JAN2011	NAME -	
TOLERANCES UNLESS OTHERWISE SPECIFIED: 0 PLC ± 1 PLC ±0.1 2 PLC ±0.05 3 PLC ±0.02 4 PLC ± ANGLES ± FINISH		APVD MANQIAN WANG 12JAN2011	PRODUCT SPEC -	
MATERIAL 2		APPLICATION SPEC -	SIZE A2	RESTRICTED TO -
CUSTOMER DRAWING		WEIGHT -	CAGE CODE 00779	DRAWING NO. 2170040
		SCALE 3:1	SHEET 1 OF 1	REV A