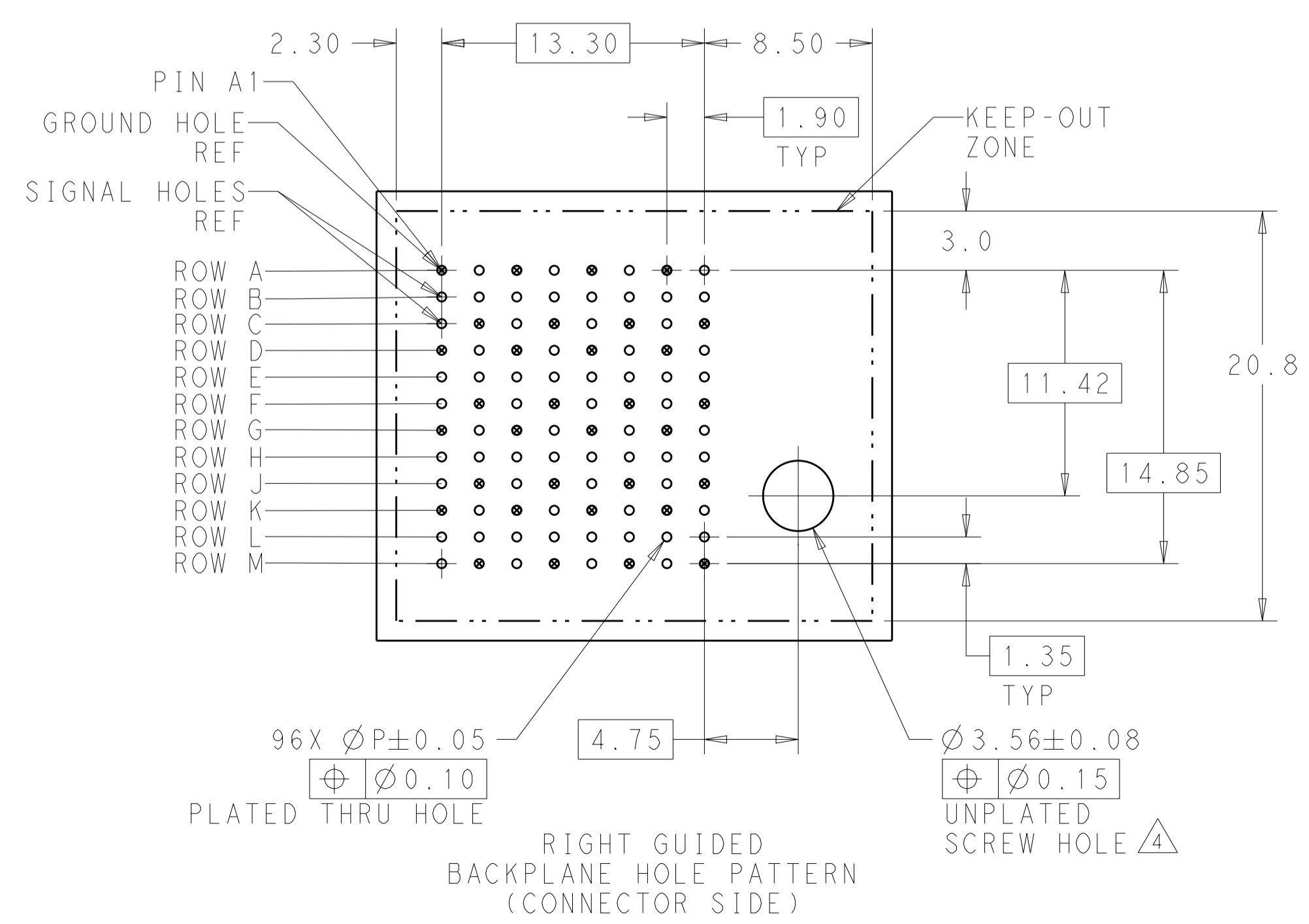
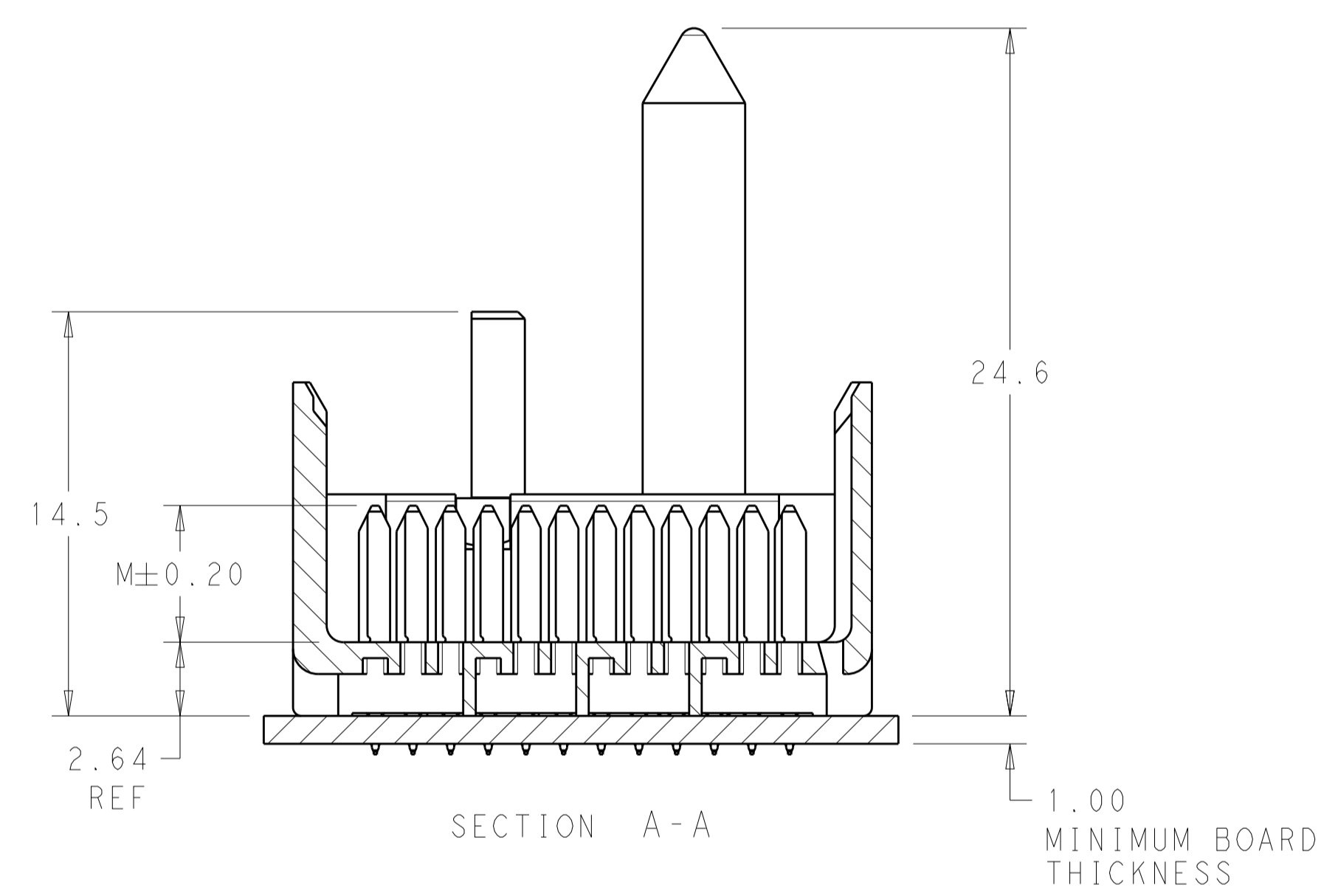
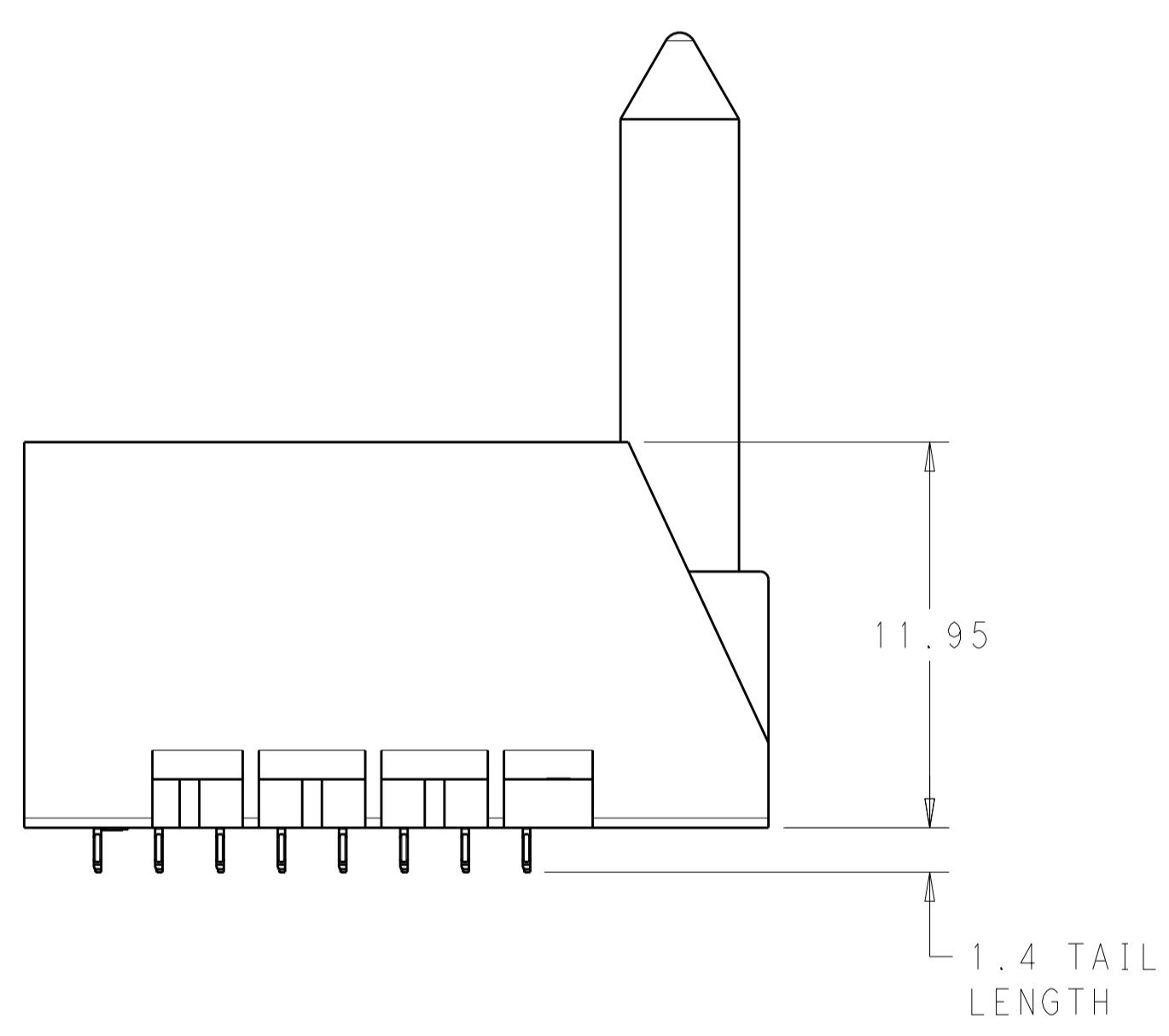
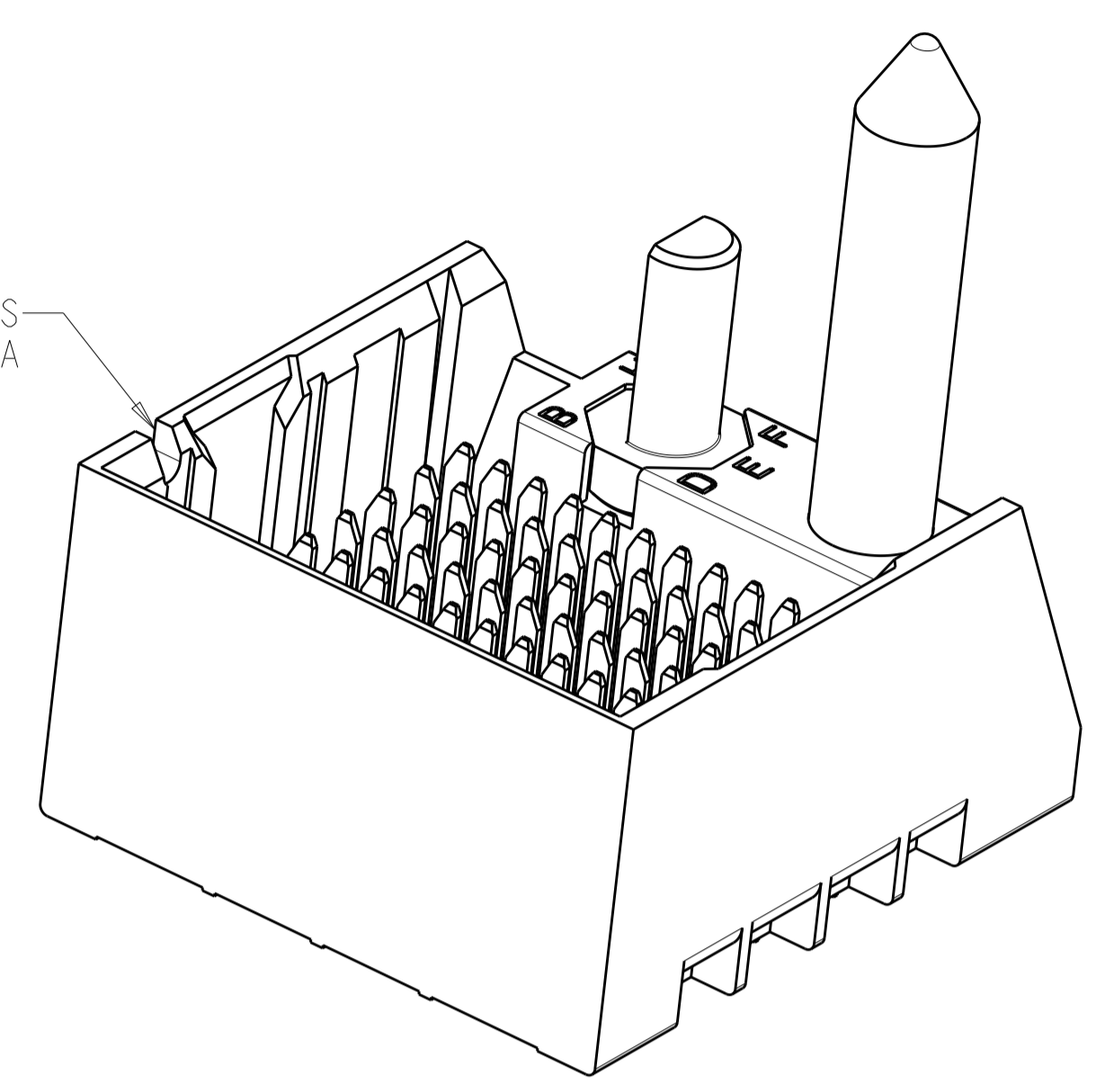
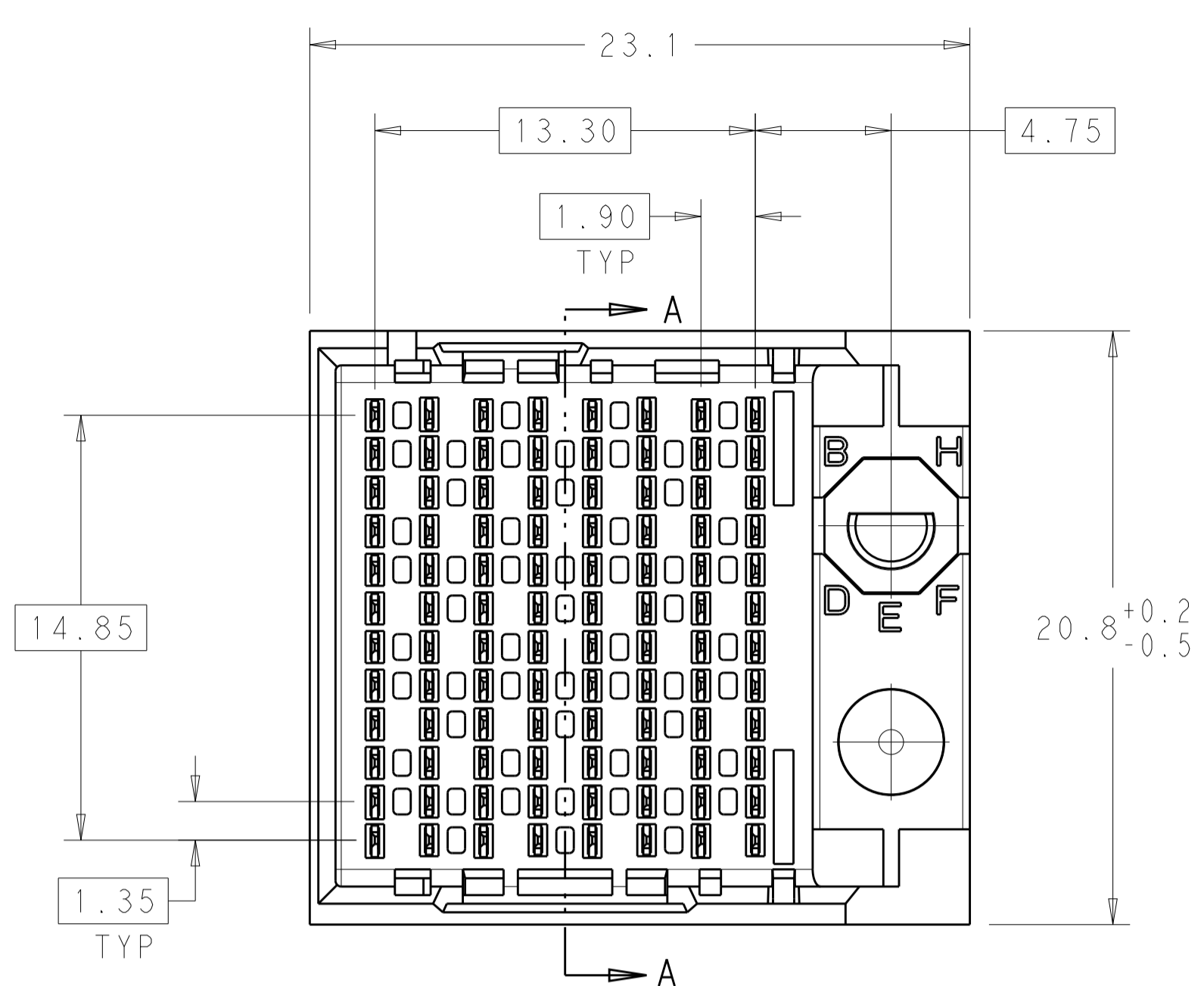


LOC		DIST		REVISIONS			
AD	00	P	LTN	DESCRIPTION	DATE	DWN	APVD
		A		REVISED PER ECO-15-003242	24MAR2015	AP	DD

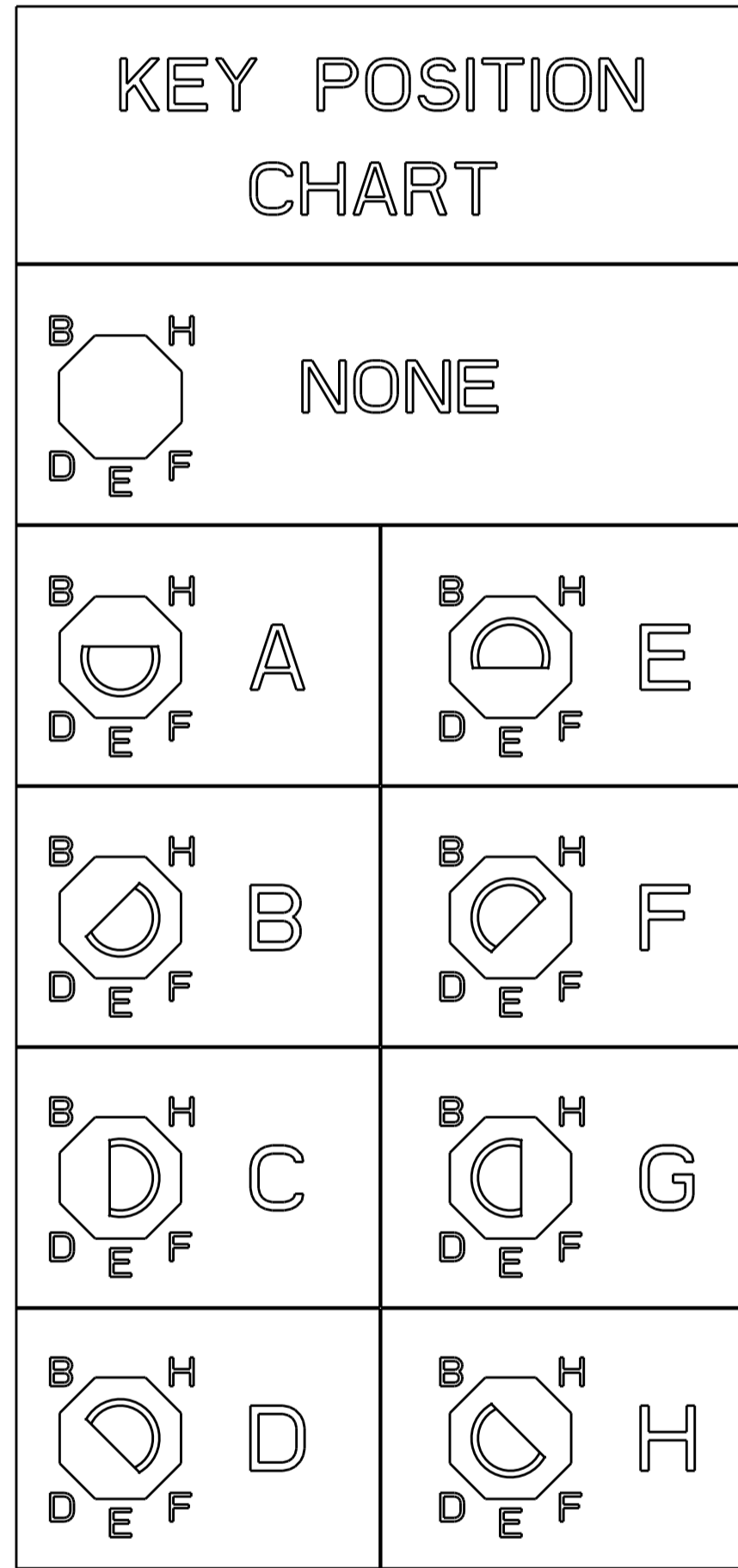


THIS DRAWING IS A CONTROLLED DOCUMENT.		DWN: B. CARBO 12DEC2012	TE Connectivity
DIMENSIONS: mm		CHK: D. DIXON 12DEC2012	
TOLERANCES UNLESS OTHERWISE SPECIFIED:		APVD: D. DIXON 12DEC2012	NAME: IMPACT, 85 OHM, STANDARD, 4 PAIR PLUS, 8 COLUMN HEADER, RIGHT GUIDED, LEFT ENDWALL, SIGNAL MODULE
0 PLC ± 1 PLC ±0.25 2 PLC ±0.13 3 PLC ± 4 PLC ± ANGLES ±		PRODUCT SPEC	SIZE: CAGE CODE DRAWING NO. RESTRICTED TO
MATERIAL: SEE TABLE		APPLICATION SPEC	WEIGHT: A100779C=2169628
FINISH: SEE TABLE		Customer Drawing	SCALE: 5:1 SHEET 1 OF 2 REV A

LOC	DIST	REVISIONS			
AD	00	REV	DATE	BY	APPV
-	-	SEE SHEET 1	-	-	-

H	0.46	5.5	8-2169628-6
H	0.46	4.9	8-2169628-5
H	0.46	4.5	8-2169628-4
H	0.39	5.5	8-2169628-3
H	0.39	4.9	8-2169628-2
H	0.39	4.5	8-2169628-1
G	0.46	5.5	7-2169628-6
G	0.46	4.9	7-2169628-5
G	0.46	4.5	7-2169628-4
G	0.39	5.5	7-2169628-3
G	0.39	4.9	7-2169628-2
G	0.39	4.5	7-2169628-1
F	0.46	5.5	6-2169628-6
F	0.46	4.9	6-2169628-5
F	0.46	4.5	6-2169628-4
F	0.39	5.5	6-2169628-3
F	0.39	4.9	6-2169628-2
F	0.39	4.5	6-2169628-1
E	0.46	5.5	5-2169628-6
E	0.46	4.9	5-2169628-5
E	0.46	4.5	5-2169628-4
E	0.39	5.5	5-2169628-3
E	0.39	4.9	5-2169628-2
E	0.39	4.5	5-2169628-1
D	0.46	5.5	4-2169628-6
D	0.46	4.9	4-2169628-5
D	0.46	4.5	4-2169628-4
D	0.39	5.5	4-2169628-3
D	0.39	4.9	4-2169628-2
D	0.39	4.5	4-2169628-1
C	0.46	5.5	3-2169628-6
C	0.46	4.9	3-2169628-5
C	0.46	4.5	3-2169628-4
C	0.39	5.5	3-2169628-3
C	0.39	4.9	3-2169628-2
C	0.39	4.5	3-2169628-1
B	0.46	5.5	2-2169628-6
B	0.46	4.9	2-2169628-5
B	0.46	4.5	2-2169628-4
B	0.39	5.5	2-2169628-3
B	0.39	4.9	2-2169628-2
B	0.39	4.5	2-2169628-1
A	0.46	5.5	1-2169628-6
A	0.46	4.9	1-2169628-5
A	0.46	4.5	1-2169628-4
A	0.39	5.5	1-2169628-3
A	0.39	4.9	1-2169628-2
A	0.39	4.5	1-2169628-1
-	0.46	5.5	2169628-6
-	0.46	4.9	2169628-5
-	0.46	4.5	2169628-4
-	0.39	5.5	2169628-3
-	0.39	4.9	2169628-2
-	0.39	4.5	2169628-1
KEY POSITION	P PLATED THROUGH HOLE SIZE	M POST LENGTH	PART NUMBER

- 1 MATERIAL:
HOUSING: LCP, GLASS FILLED, UL94V-0.
TERMINALS: HIGH PERFORMANCE COPPER ALLOY.
- 2 FINISH:
30μ" MIN GOLD IN CONTACT AREA. SELECTIVE TIN
ON PCB TAILS, NICKEL OVERALL.
- 3. SCREWS PACKAGED IN END OF PACKAGING TUBE.
- 4 FOR GROUNDED GUIDE PIN USE Ø3.56±0.08 PTH,
Ø3.66 DRILL, AND Ø6.5 PAD.
- 5. KEYING PIN SHOWN IN POSITION A, SEE KEYING CHART
ON SHEET 2 FOR OTHER POSITIONS.



REFER TO WWW.TE.COM
FOR PRODUCT AVAILABILITY

THIS DRAWING IS A CONTROLLED DOCUMENT.		OWN: B. CARBO 12DEC2012	STE TE Connectivity
DIMENSIONS: mm		CHK: D. DIXON 12DEC2012	
TOLERANCES UNLESS OTHERWISE SPECIFIED:		APPV: D. DIXON 12DEC2012	
0 PLC ±0.25	1 PLC ±0.13	2 PLC ±0.13	NAME: IMPACT.85 OHM, STANDARD, 4 PAIR PLUS, 8 COLUMN HEADER, RIGHT GUIDED, LEFT ENDWALL, SIGNAL MODULE
3 PLC ±0.13	4 PLC ±0.13	5 PLC ±0.13	PRODUCT SPEC
6 PLC ±0.13	7 PLC ±0.13	8 PLC ±0.13	APPLICATION SPEC
ANGLES ±0.13	FINISH SEE TABLE	WEIGHT	SIZE: CAGE CODE DRAWING NO: A100779C=2169628
MATERIAL		Customer Drawing	RESTRICTED TO
		SCALE: 5:1	SHEET 2 OF 2 REV A