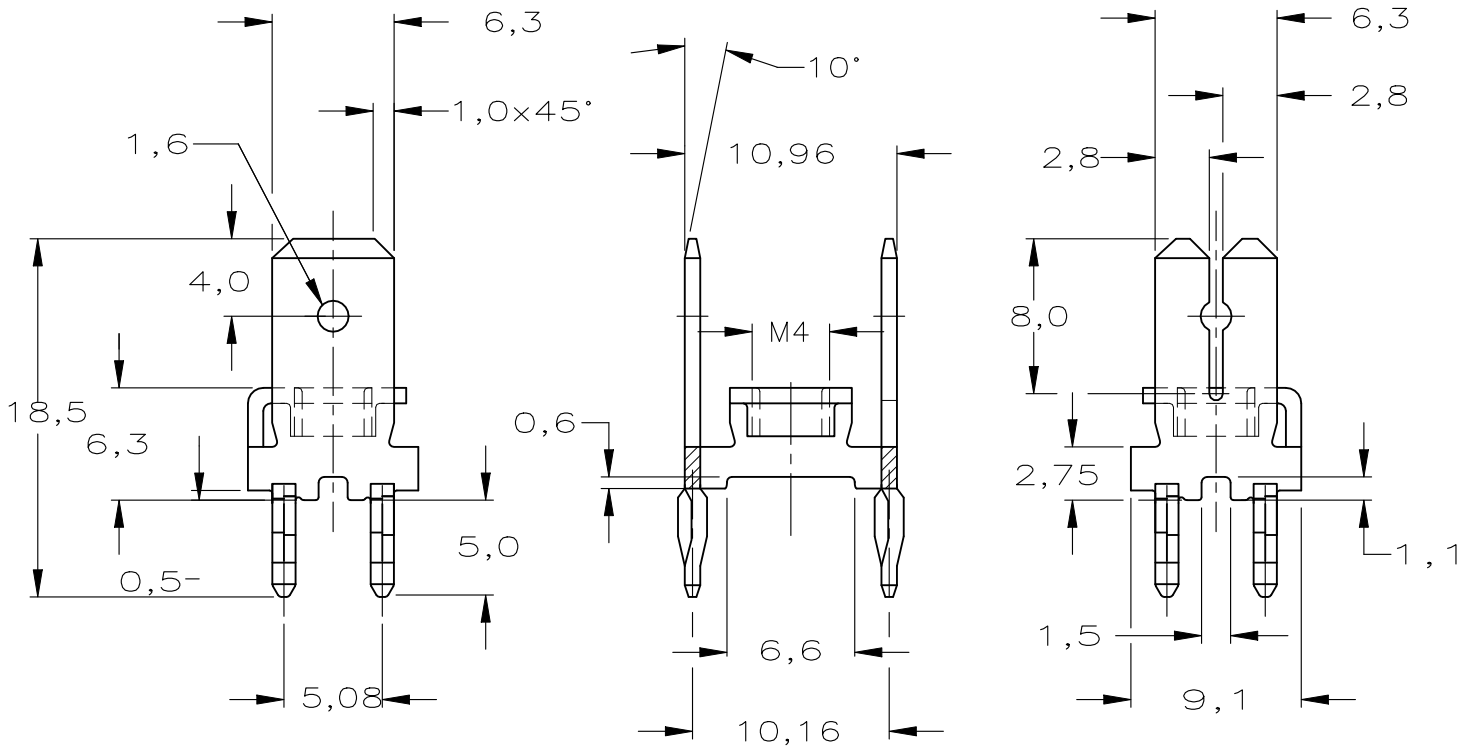
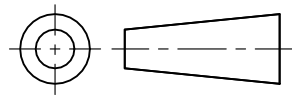


DO NOT SCALE

DIMENSIONS IN mm

METRIC

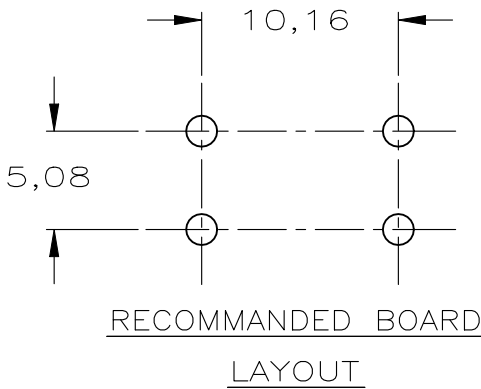
THIRD ANGLE  
PROJECTION



NOTES :

1 PLATING : 2,54  $\mu\text{m}$  Sn MIN. ALL OVER  
UNDERLAYER 1,25  $\mu\text{m}$  Ni ALL OVER.

2 MATERIAL THICKNESS 0,8 mm .



PLATED THROUGH HOLE SPECIFICATION	
DRILLED HOLE	1,6 $\pm 0,025$
Cu- THICKNESS	25-75 $\mu\text{m}$
SnPb-THICKNESS	4-10 $\mu\text{m}$
FINISHED HOLE	1,39 $^{+0,15}_{-0}$
FINISHED HOLE (AFTER REFLOW)	1,36 $^{+0,18}_{-0}$

1	PHOSPHORBRONZE	216905-1
FINISH	MATERIAL	PARTNUMBER

**AMP** AMP-HOLLAND B.V.  
's-Hertogenbosch, The Netherlands.

THIS DRAWING IS UNPUBLISHED ~~RELEASED FOR PUBLICATION~~ - ,19

© COPYRIGHT 19 - BY AMP-HOLLAND B.V.  
ALL INTERNATIONAL RIGHTS RESERVED.  
AMP PRODUCTS MAY BE COVERED BY U.S. AND FOREIGN PATENTS AND/OR PATENTS PENDING.

CUSTOMER DRAWING  
FOR REFERENCE ONLY  
WILL NOT BE UPDATED

DR. S.MEEUWSEN	DATE 15-02-90	WIRE RANGE -	NAME POWER TERMINAL FOR POSITIVE LOCK RECEPTACLE (1,6 P.C.BOARD THICKNESS)	REV.DATE D M Y
CHK. R.V.LOKVEN	DATE 03-04-90	INSUL.RANGE -		19 02 91
APP. L.V.SOEST	DATE 03-04-90	SIZE A4	SHEET 1 OF 1	DWG. No. 216905 REV.LTR. B1