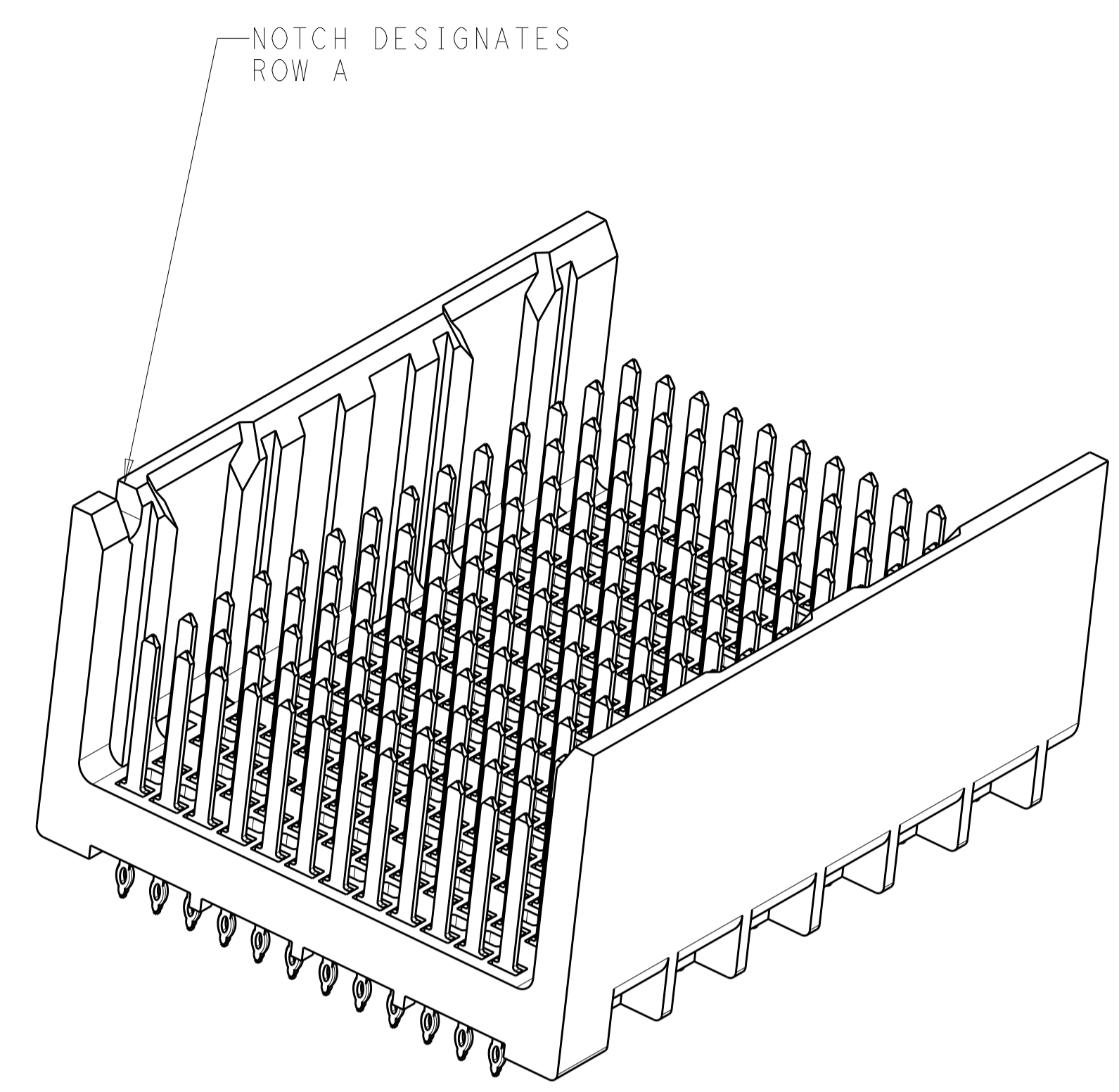
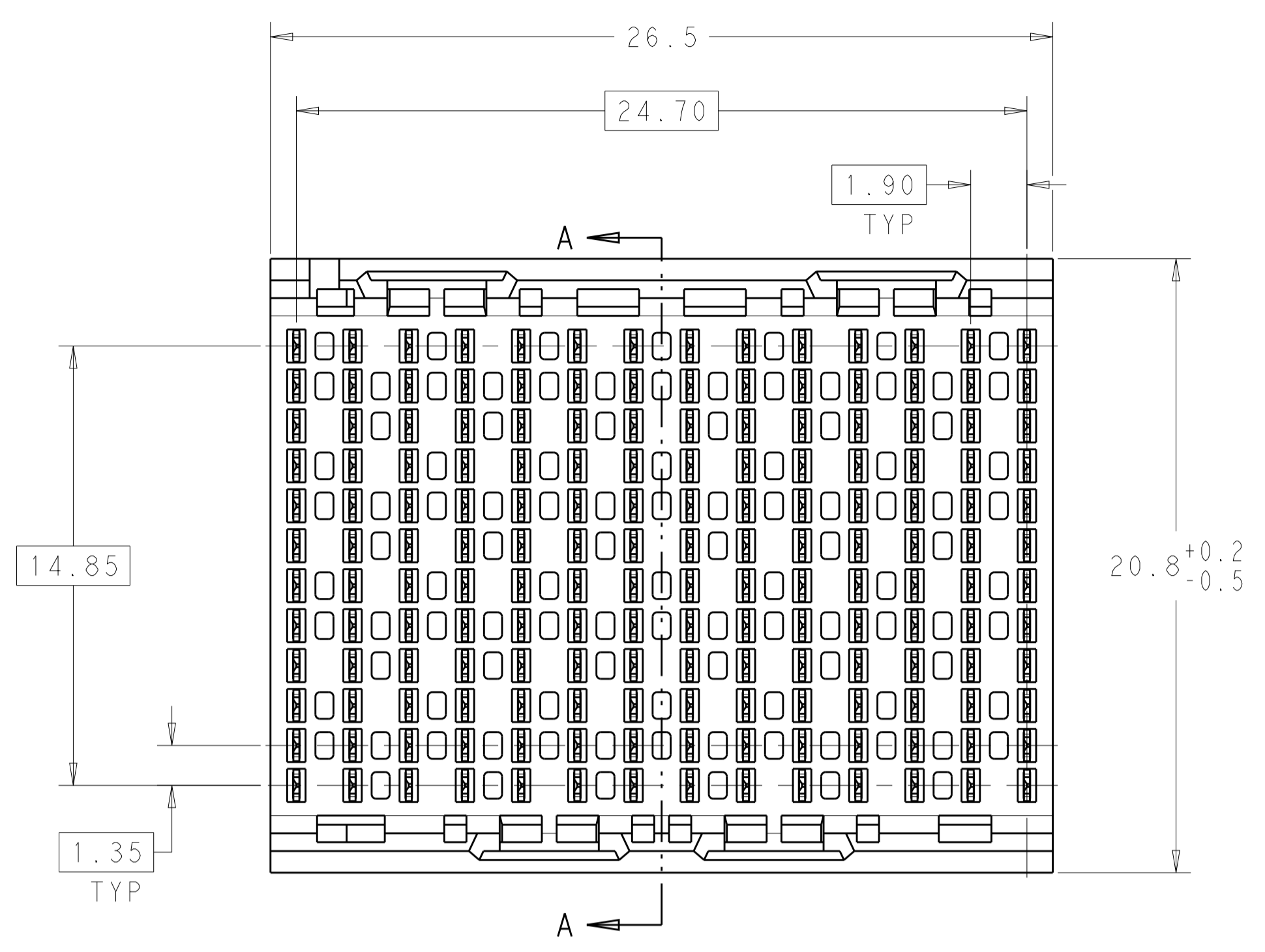
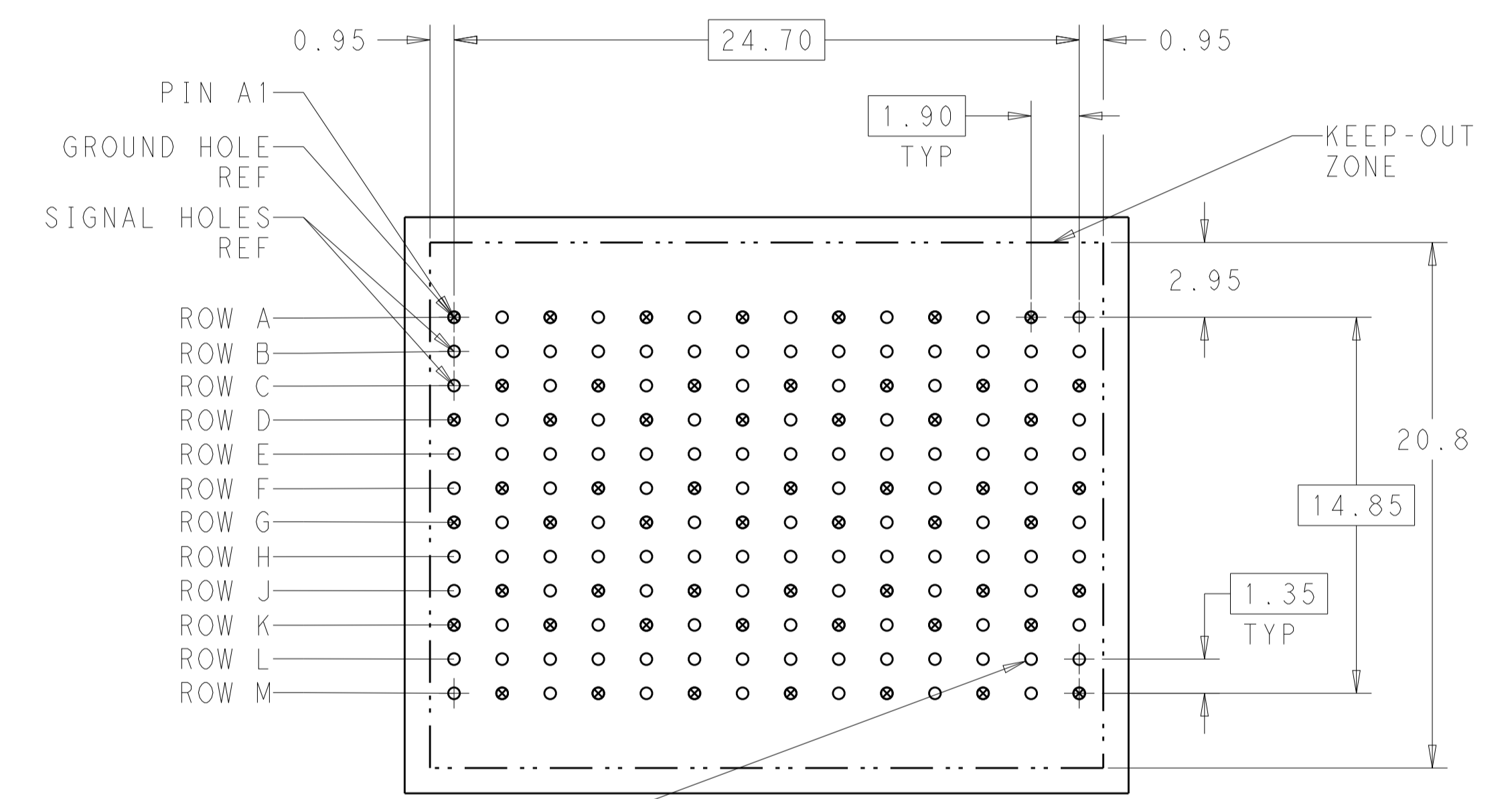


LOC		DIST		REVISIONS			
AD	00	P	LTN	DESCRIPTION	DATE	DWN	APVD
		A1		REVISED PER ECO-15-001494	07FEB2015	AP	DD



⚠ MATERIAL:  
 HOUSING: LCP, GLASS FILLED, UL94V-0.  
 TERMINALS: HIGH PERFORMANCE COPPER ALLOY.

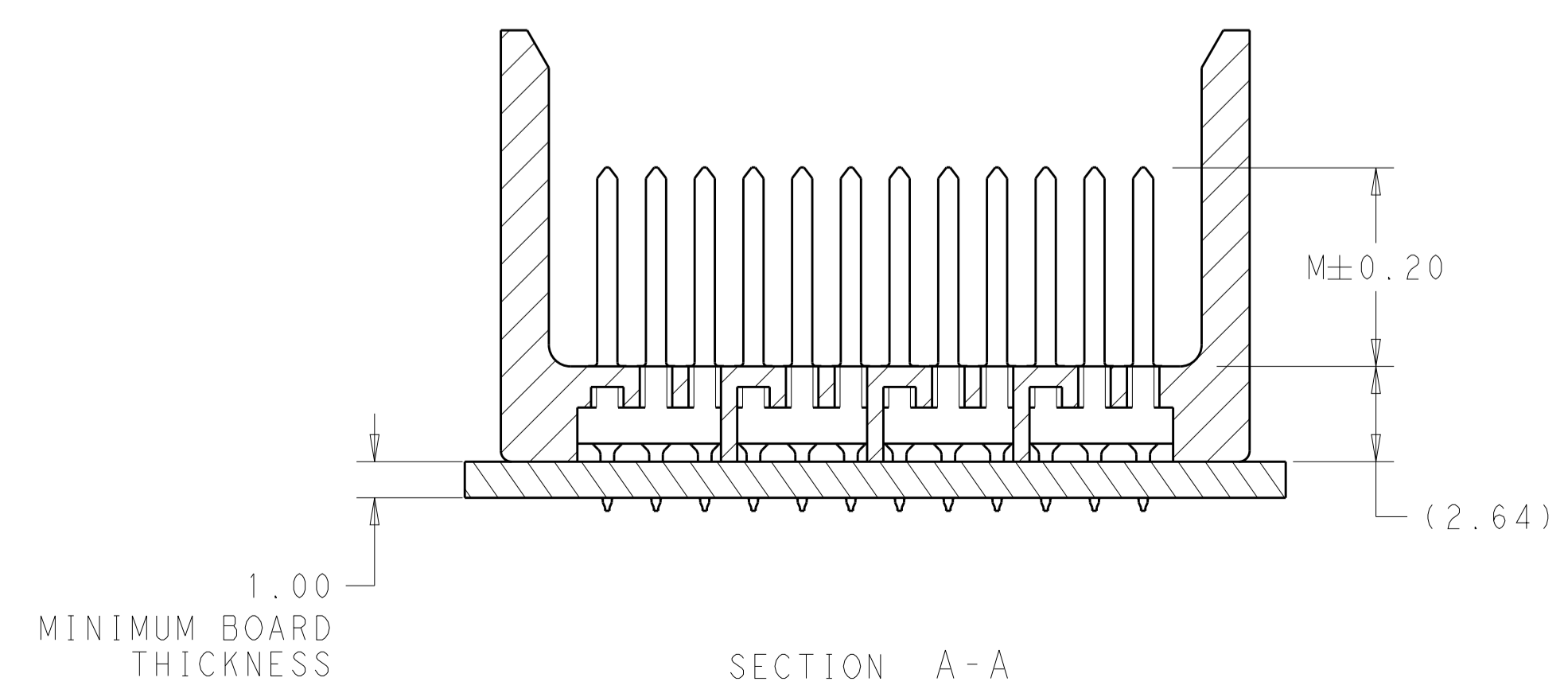
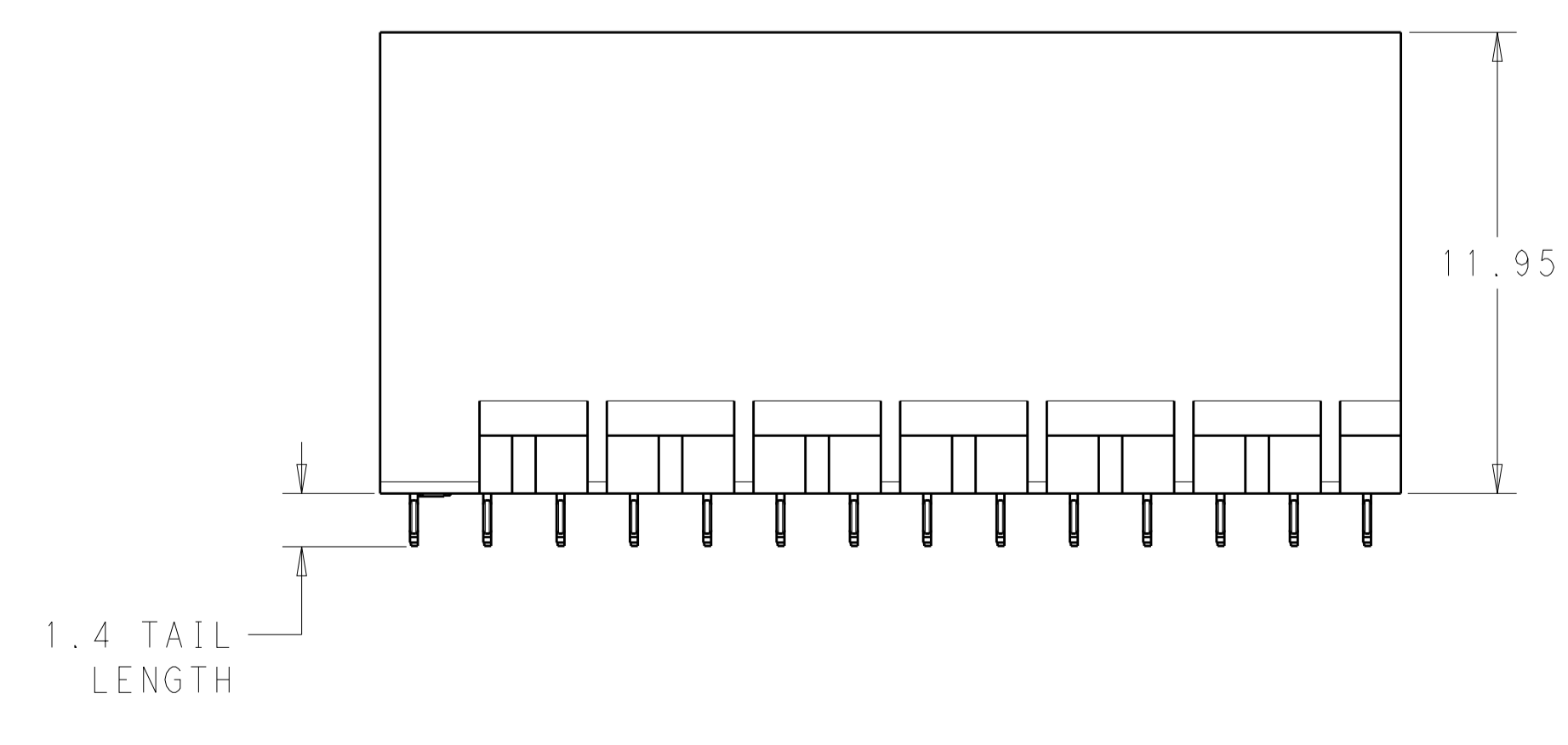
⚠ FINISH:  
 30μ" MIN GOLD IN CONTACT AREA. SELECTIVE TIN  
 ON PCB TAILS, NICKEL OVERALL.



168X  $\varnothing 0.46 \pm 0.05$   
 PLATED THRU HOLE

168X  $\varnothing 0.55 \pm 0.013$   
 DRILL HOLE  
 $\varnothing 0.10$

UNGUIDED  
 BACKPLANE HOLE PATTERN  
 (CONNECTOR SIDE)



THIS DRAWING IS A CONTROLLED DOCUMENT.		DWN R. COELLO 27MAY2011	TE Connectivity NAME: IMPACT, 4 PAIR, 14 COLUMN, HEADER UNGUIDED, OPEN END WALL SIGNAL MODULE, 0.46 PTH
DIMENSIONS:		CHK J. EARY 27MAY2011	
TOLERANCES UNLESS OTHERWISE SPECIFIED:		APVD J. EARY 27MAY2011	
0 PLC ± 1 PLC ±0.25 2 PLC ±0.13 3 PLC ± 4 PLC ± ANGLES ±		PRODUCT SPEC APPLICATION SPEC WEIGHT CUSTOMER DRAWING	
MATERIAL		SEE TABLE	SIZE: A100779 CAGE CODE: C=2169016 SCALE: 6:1 SHEET 1 OF 2 REV A1

THIS DRAWING IS UNPUBLISHED. RELEASED FOR PUBLICATION 20  
 © COPYRIGHT 20 BY - ALL RIGHTS RESERVED.

LOC	DIST	REVISIONS					
		P	LTN	DESCRIPTION	DATE	DWN	APVD
AD	00	-		SEE SHEET 1	-	-	-

FINISH	DIM M	PART NUMBER
	5.5	2169016-3
	4.9	2169016-2
	4.5	2169016-1

REFER TO WWW.TE.COM  
FOR PRODUCT AVAILABILITY

THIS DRAWING IS A CONTROLLED DOCUMENT.		DWN R. COELLO 27MAY2011	
DIMENSIONS: mm		CHK J. EARY 27MAY2011	
		APVD J. EARY 27MAY2011	
TOLERANCES UNLESS OTHERWISE SPECIFIED: 0 PLC ± 1 PLC ±0.25 2 PLC ±0.13 3 PLC ± 4 PLC ± ANGLES ±		NAME IMPACT, 4 PAIR, 14 COLUMN, HEADER UNGUIDED, OPEN END WALL SIGNAL MODULE, 0.46 PTH	RESTRICTED TO
MATERIAL -		PRODUCT SPEC -	SIZE CAGE CODE DRAWING NO. A100779C=2169016
FINISH SEE TABLE		APPLICATION SPEC -	WEIGHT -
CUSTOMER DRAWING		SCALE 5:1	SHEET 2 OF 2 REV A1